

Important Technical Data

Minimum operating pressure 1.0 bar
Maximum operating pressure 5.5 bar*

Maximum hot water temperature 70°C*
Recommended hot water temperature 46°C

Note: If these temperatures or pressures are exceeded, even for short periods, damage can result. In these instances a thermostatic mixing or pressure reducing valve should be installed.

All Abode taps are either WRAS approved or manufactured in accordance with recognised European standards. Please ensure that your Abode Kitchen mixer is fitted in accordance with Local Water Byelaws.

These installation guidelines have been

prepared for your direction and you must exercise due care at all times. We do not accept responsibility for problems that may occur through improper installation. Whilst assembling the tap take care not to accidentally loosen any screwed assemblies.

Abode is a registered trademark of Abode Home Products Limited.

Manufacturers Product Reference

AT2120
AT2121
AT2122

©Abode
12/2019

Coniq-R Single Lever Pull Out



5 Year warranty Terms and Conditions

In the unlikely event that you should experience any defect in the materials or workmanship of your new Abode mixer within 5 years of purchase, the purchaser's sole remedy shall be the replacement (at the manufacturer's discretion) of all or any part of the product that is defective. All working parts and valves are guaranteed for a period of 5 years from purchase. Decorative surface finishes and O-rings are guaranteed for 1 year from the date of purchase provided that our advice concerning care has been observed and no scouring agents have been used. This is provided that the mixer or tap has been used for normal domestic purposes and that the care, installation and maintenance instructions have been observed. The warranty extends to the original purchaser only.

Marks, scuffs and scratches caused by improper installation or accidental damage are not covered by this guarantee. Neither are shade variations or any damage or defect caused by incorrect installation or abuse of the fitting.

Care Instructions for your Kitchen Sink tap

To maintain the appearance of this product, ensure that it is regularly cleaned only using a clean, soft damp cloth. A solution of warm water and a mild liquid detergent may be used where necessary, and then the fitting rinsed thoroughly and wiped dry. Any other cleaning action will invalidate your warranty.

If the mixertap has a diffuser it should be unscrewed and cleaned periodically in warm water.

Abrasive cleaners, scouring cleaners and acidic cleaners **must not be used** under any circumstances. Avoid contact with all solvents (including chlorinated solvents, ketones or acetones as these may result in surface deterioration or etching). Also avoid contact with any harsh household chemicals such as oven cleaners, drain cleaners, rust removers, paint strippers and toilet bowl cleaners, bar keepers friend or Brasso.

Please leave these instructions for your customer.

As we are continuously improving and developing our range of products, finishes & colours, in the event of a valid claim, we may not be able to provide an identical replacement for the defective product throughout the guarantee period. Where an identical product is no longer available, we will supply the nearest equivalent from our then current product range. In assessing your claim, we must be given the opportunity to inspect the product as installed prior to removal. Any product returns must be packaged as received and complete.

No other warranties, express or implied, are made, including merchantability or fitness for a particular purpose. Under no circumstances shall the manufacturer be liable for any loss or damage arising from the purchase, use or inability to use this product, or for any special, indirect, incidental or consequential damages. No liability is accepted for consequential damage to other household fixtures, fittings or furnishings arising from this claim, even if attached to the product. No installer, dealer, agent or employee of Abode Home Products Limited has the authority to modify the obligations or limitations of this warranty.

abode

Abode Home Products Limited, Unit L, Zenith Park, Whaley Road, Barnsley, S75 1HT.
Tel: 01226 283434 Fax: 01226 282434 www.abode.eu

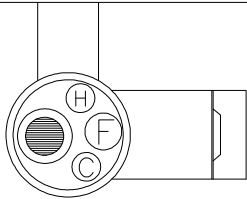
All errors and omissions excepted.

Parts and Contents

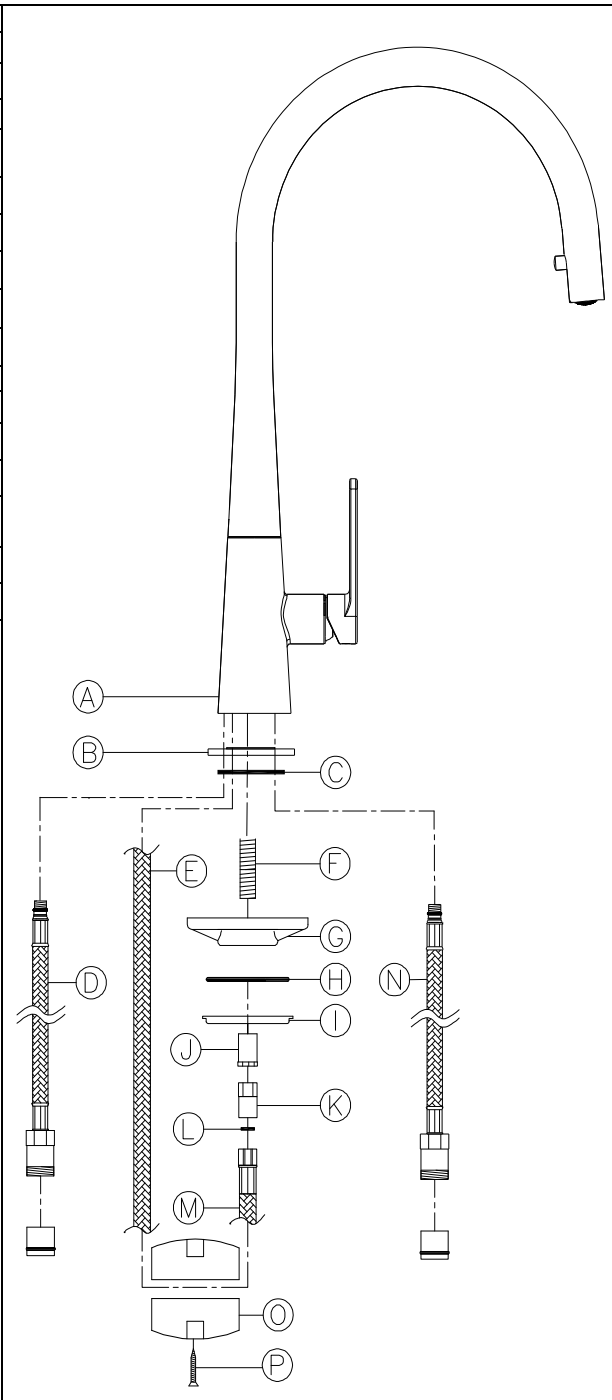
Key	Description	Qty
A	Mixer body	1
B	Base plinth	1
C	Upper seal	1
D	Hot Flexible tail (with integral NRV)	1
E	Pull out horse	1
F	Fixing stud	1
G	Triangular stabiliser	1
H	Rubber horseshoe	1
I	Metal horseshoe	1
J	Fixing nut	1
K	Mixed water outlet nut	1
L	Rubber seal	1
M	Pull out horse	1
N	Cold Flexible tail (with integral NRV)	1
O	Hose weight	1
P	Hose weight screws	2

Figure 1

Bottom Base View:



H = HOT INLET
F = FIXING STUD
C = COLD INLET



Installation Instructions:

Preparation

Before installing the new mixer it is essential that you thoroughly flush through the supply pipes in order to remove any remaining solder, swarf or impurities from your system. Failure to carry out this simple procedure could cause problems or damage to the workings of the mixertap.

We strongly recommend installing particle filters and isolation valves to both the hot and cold feed pipes in an accessible position. This will help to prevent premature failure of the valves and ease any future maintenance.

All parts should be removed from their packaging and inspected for any transport damage prior to installation.

Shut off your water heating system and ensure that your mains stopcock is closed. Open the lowest hot and cold taps in the house and allow the water to run until the cold-water storage tank and pipes are fully empty. Please note, the hot water storage cylinder (if applicable) will always remain full.

This mixertap requires a $\varnothing 35\text{mm}$ tap hole, if replacing an existing tap, remove the tap & clean the end of the feed pipes using wire wool the tap hole area should be free from dirt and sealant.

Loosely position the tap and tail pipes to check if any alteration to the existing pipework is required, if this is the case do this now.

Installation

1. Place upper seal (C) under the base plinth (B).
2. Place base plinth (B) and upper seal (C) at the bottom of the mixer body (A).
3. Screw fixing stud (F) onto the bottom of mixer body (A). (see Fig.1)
4. Screw the hot tail pipe (D) onto the top of mixer body (A), then the cold tail pipe (N) on the bottom hole. When the tap is facing forwards. (see Fig.1)
5. Screw the hot & cold water tail pipes (D & N) into the base of the tap (A) as shown.
6. Place the mixer tap (A), with base plinth (B), upper seal (C) and fixing stud (D) onto the sink/worktop, passing the tail pipes (D&N), and the pull out horse (M) through the tap hole.
7. Pass the rubber horseshoe (H) and the metal horseshoe (I) over the fixing stud (F) around the flexible tail pipes (D & N) and the pull out horse (M). If fitting the tap to a stainless steel sink, the white triangular stabiliser (G) can be placed where shown to help stabilise the weight of the tap.
8. Fasten fixing nut (J) securely onto the fixing stud (F) to fix the tap (A) into its correct location.
9. Screw the mixer water outlet nut (K) onto the fixing stud (F).
10. Screw the pull out pipe horse (M) onto the mixer water outlet nut (K) ensuring the rubber seal (L) is in place.
11. Fix the horse weight (O) with screws (P) as shown.
12. Connect the hot and cold tail pipes (D & N) to the water mains using $\frac{1}{2}$ " BSPx15mm compression fittings. Note: Non-return valves will be pre-inserted into tail pipes (I & J).

After installation

Once you have visually checked the new fittings and connections, ensure that all taps are closed except the new mixer tap which should be left open. Turn on the water supply at the mains stop cock. As the system starts to refill, check carefully for leaks. Once you are fully satisfied that there are no leaks, turn on the water heating.

Clean the tap to remove any marks created during installation as instructed then place the cloth bag that has been provided to protect the tap until it is ready for use.