

AKW[®]
Life Made Better



2025
BATHROOM
CATALOGUE



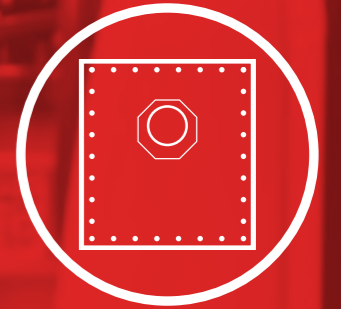
THE MARKET LEADERS



Launched AKW DigiPumps; the first range of quiet, self-regulating digital pumps to combine the controls and pump in one sleek design



AKW SmartCare Plus and AKW SmartCare Lever are the first electric care showers to be both dementia-friendly product accredited by the DSDC and RNIB Tried & Tested



Introduced Tuff Form & Tuff Form8, innovating the manufacture of single structure SMC, level-access wet-floor formers



AKW Rise & Fall Bidet is the only on-demand height-adjustable, care wash & dry toilet on the market



Developed 4000 Series Shower Seats – still the most widely specified seats in the UK care market

HOW WE'RE MAKING LIFE BETTER

PROTECTING OUR PLANET

- + Awarded EcoVadis Silver Medal – putting us in top 15% of companies rated
- + Committed to reducing plastic waste and increasing use of more sustainable materials
- + Invested in the design of water-saving products to help preserve resources and lowers utility bills

HELPING OUR PLANET

- + Proactively support Warrington Disability Partnership, 30 charities, care providers, and good causes
- + AKW Helping Hands offers colleagues 2 paid volunteering days per year
- + £445k worth of product and funds donated since 2022

WORKING RESPONSIBLY WITH OUR SUPPLIERS

- + Collaborating with transport providers to reduce carbon emissions
- + Building relationships with suppliers who actively give back

PROMOTING FAIRNESS THROUGH OUR POLICIES

- + Employee Assistance Program and Occupational Health supports colleague wellbeing and mental health
- + Enhanced maternity, paternity and adoption leave, flexible working opportunities, offering reasonable adjustments

SUPPORTING OUR PEOPLE

- + Disability Confident and Age-Friendly Employer
- + Encourage training and development opportunities

www.akw-ltd.co.uk/esg



LIFE MADE BETTER IS MORE THAN JUST WORDS TO US.
Join us on our ESG journey to see how we're Making Life Better.



£32,050.97

Donated to Support Charities & Causes



30

Charities & Causes Supported



£21,532.60

Spent Paying Colleagues to Volunteer During Work Hours



138.5

Days Colleagues Have Spent Volunteering



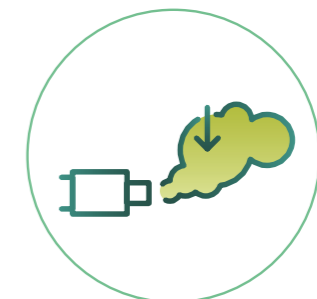
£403,291.58

Worth of Product Donated to Charities & Causes



4.76 Tonnes

Plastic Saved Through Waste Reduction



13.76%

Reduction in Carbon Emissions

From a small Worcestershire business, AKW has grown to become the UK's market-leader and an international operation.

CONTENTS

INTRODUCTION

Company History	8
Quick Page Finder	11
About AKW	14
How this book works	16
Icons	17
Choosing the right products	18
Placing an order	20
Customer Services	21
Surveying excellence	22
Delivery	23
Here to help	24
Regulation & compliance	25

WET ROOMS 27

Wet Room Formers	29
Tanking Kits & Accessories	58

SHOWER TRAYS 63

Braddan Trays	65
Sulby Trays	73
Sulby 2	76
Swift Trays	83
Eagle TWO Trays	87
Low Profile Trays	91
Onyx Exclusif Trays	97
Onyx Linea Tray	102
Mullen® Trays	105

WASTE SYSTEMS 109

Wastes & Pumps	111
Compatibility guide	112
Gravity Wastes	118
Dry Wastes	127
Pumped Wastes	130
Contour Wastes	136
Waste Adaptors	142
Digital Waste Pumps	144
Sanipro Macerator	150

SHOWER SCREENS & ENCLOSURES 153

Shower Screens	153
Shower Cubicles	247

SHOWERS 265

Electric Showers	267
Mixer Showers	281

WALLS & SAFETY FLOORING 297

Wall Panels	299
Tiles & Accessories	315
Safety Flooring	323

MOBILITY SUPPORT 331

Grab Rails	333
Shower Seats	361
Mobility Ramps	385

BATHS AND BATH ACCESSORIES 389

Steel single ended bath	392
Bath panels	394
Bath shower screens	396
Bath shower kits	398
Bath taps	400
Tilted Mirror with Handle	406

SANITARYWARE & BRASSWARE 409

Wash & Dry Toilets & Bidets	411
Sanitaryware	437
Brassware	481
Doc M	491
Walk-In & Assistive Baths	512

BATHROOM FURNITURE & ACCESSORIES 519

Furniture	520
Bathroom Accessories	529

HEATING & ELECTRICAL 535

Safety Heating	536
Bathroom Lights	540
Extractor Fans	544

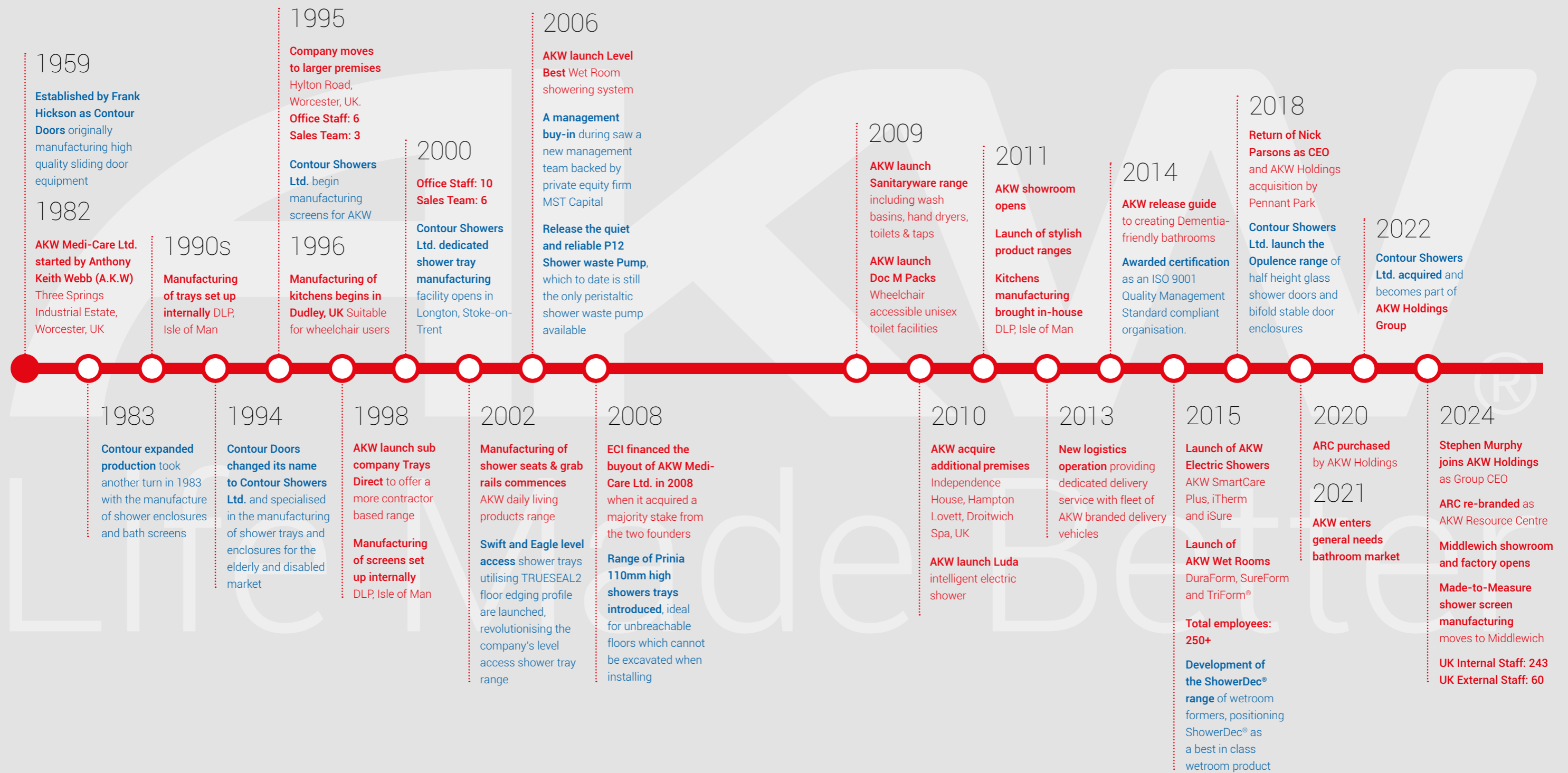
PLUMBING FITTINGS 549

Metal Fittings	550
Plastic Fittings	554
Solvent Weld Fittings	558

CONTACT & INFORMATION 560

Contact us	560
Visit AKW	562
Index	564
General Product Information	567
Legal Information	567
Terms & Conditions	568

Company History



Key

- Contour Showers Ltd
- AKW Holdings Group

Showering Products
Quick Page Finder

Bathroom lights
540

Heating & Electrical
536

Brassware
481

Bathroom accessories
529

Tiles & Accessories
315

Shower screens
153

Timber
329

Showers
265

Wash basins from
451

Wastes & pumps
111

Shower seats
361

Grab rails
333

Sanitaryware
409

Wet room formers
27

Wall panels
299

Waste systems
109

Underfloor Heating
538

Safety flooring
323



Bathroom Products
Quick Page Finder

Timber
329

Bathroom
lights
540

Wall panels
299

Showers
265

Towel rails
531

Brassware
481

Tiles &
Accessories
315

Bath
screens
396

Bath Shower kits
398

Bathroom
accessories
529

Wash basins from
451

Baths Panels
394

Baths
392

Sanitaryware
409

Underfloor
Heating
538



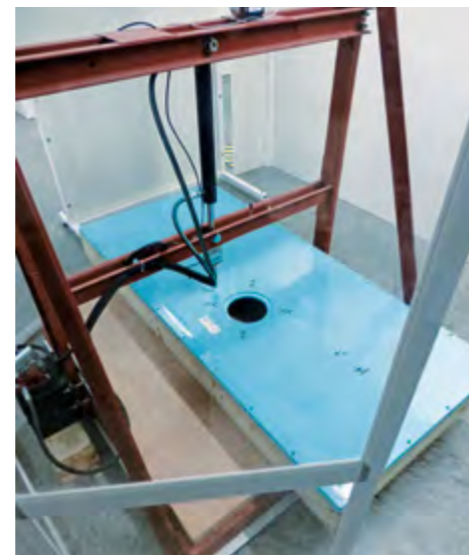


About AKW

The AKW story began in 1982 after one of our founders had been trying to find a shower tray to meet his mother's needs without success, so he produced and patented one of his own design. Since then, AKW has become an international business and the UK's leading manufacturer of accessible bathrooms, kitchens, and daily living products.

- + **1 million+ satisfied customers**
- + **150+ internal staff**
- + **World-class manufacturing facilities**
- + **Dedicated 30+ vehicle fleet providing door-to-door service**
- + **Three national distribution warehouses covering over 3.5 million cubic feet**
- + **60+ sales and surveying experts nationwide**

A wide variety of products, competitive pricing and first-class customer service make AKW the brand of choice for clients across the UK and abroad.



AKW Showrooms

AKW are pleased to offer two large bathroom and kitchen showrooms, training and client assessment centres, available to our customers across the UK.



AKW Droitwich Showroom

Officially opened by the Mayor of Droitwich, Cllr. Mike Barrat on the 17th June 2011 our Independence House showroom showcases many of our products in real-life situations. Location just 3 miles from Junction 5 off the M5.



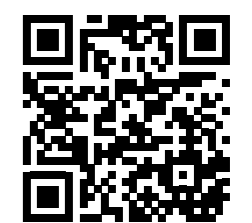
AKW Middlewich Showroom

On the 9th July 2024, the High Sheriff of Cheshire, Clare Hayward, alongside our Group Executive Chairperson and the Mayor of Middlewich, officially opened Parsons House. Located only 3 miles from Junction 18 off the M6.

If you would like to see a selection of our products up close and personal, arrange a training or CPD session in our showroom, or simply meet with your local AKW representative in person, please contact us to arrange a visit.

You can do this direct through your local AKW representative, by sending us an enquiry via the QR code or visit here:

www.akw-ltd.co.uk/contact

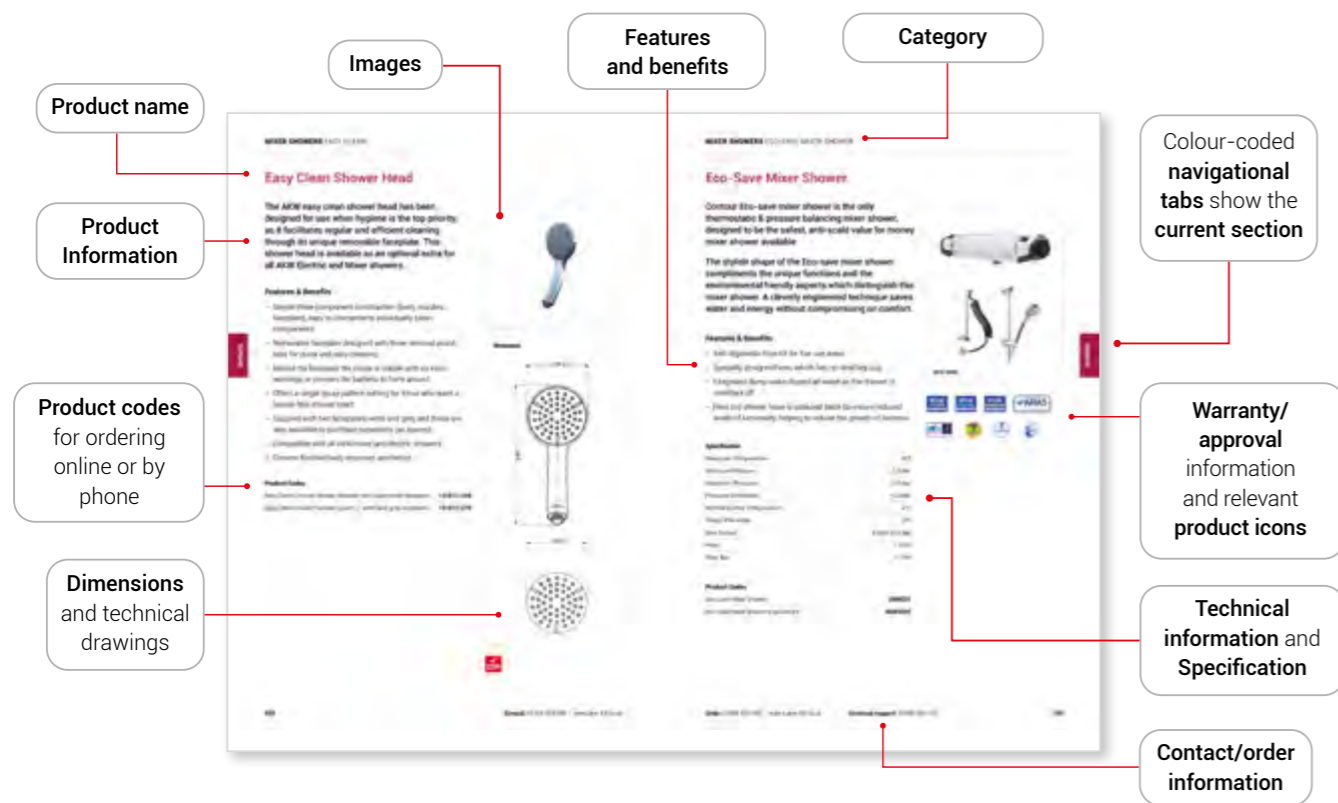


How this book works

This product catalogue provides extensive detail about the products that are currently available from AKW, and contains all the essential features and benefits, product codes, ordering and technical information you will need.



PRODUCT PAGES



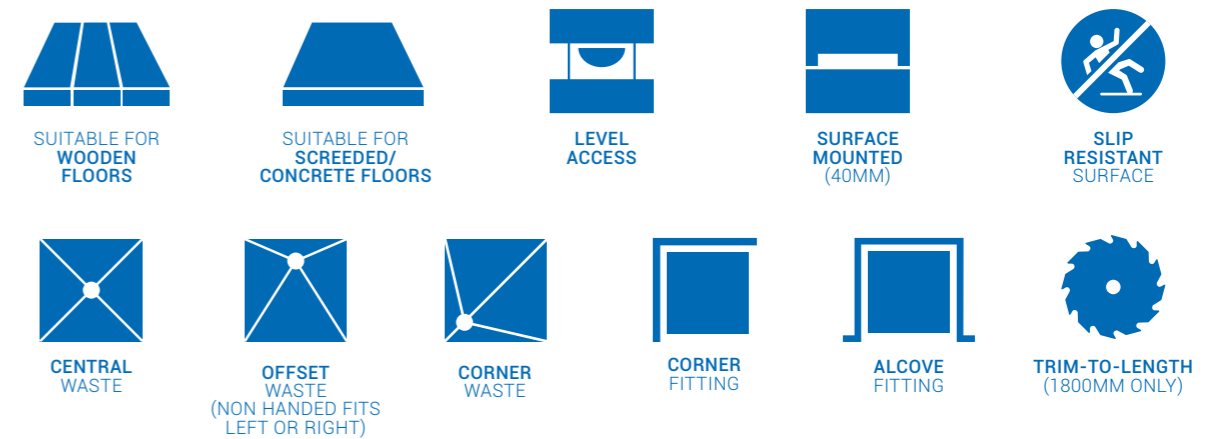
If you need extra copies of this catalogue, contact marketing@akw-ltd.co.uk or download the digital version of our website, akw-ltd.co.uk

Icons

We have created some simple icons to make the features and benefits of a product quickly recognisable.

WET ROOM FORMER/SHOWER TRAY ICONS

You will find these icons on the Wet Room Former and Shower Tray product pages. They illustrate where they can be installed, whether they are level access or surface mounted and whether the waste is central or offset.



WARRANTY ICONS

Look out for our **Warranty Icons** throughout, showing the length of warranty provided for each product.



SHOWER SCREEN / SHOWER TRAY / FORMER COMPATIBILITY

These icons appear on the Shower Screen and Shower Tray product pages. The colour illustrates the shower screen type.

The reference code in the box illustrates the compatibility of screens and trays.



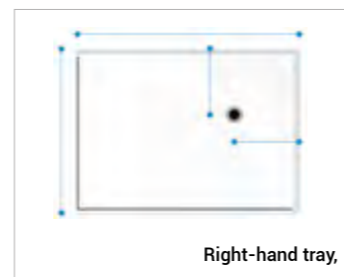
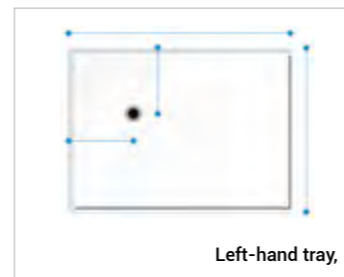
Choosing the right products

Here is an easy-to-use reference to help you choose which AKW products you need.

STEP 1: CHOOSE A SHOWER TRAY/WET ROOM FORMER

You'll find all our shower trays from page 57.

- + **Access requirement for user** Is it a multi-user home, does the user use a walking aid or wheelchair? AKW offer a wide variety of level access and low level shower trays.
- + **Floor type:** AKW shower trays are designed for different types of floors e.g. wooden, solid concrete floors (which could be unbreachable) or a screeded floor.
- + **Tray/ Former.** Where is your shower tray going to be fitted? In a corner, or an alcove? Does it need to be cut to fit a particular size? Many of our trays are bath replacements and are therefore handed to the waste end.
- + **Drainage:** Most AKW trays will accommodate gravity or pumped wastes – indeed, some come with them already built in. If your shower enclosure requires waste water to be pumped away, we have a wide selection of drainage pumps (see wastes on [page 109](#)).

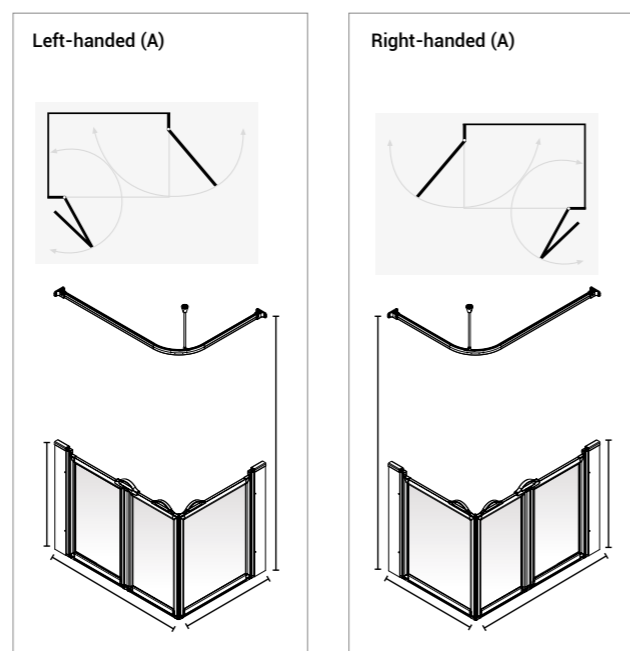


Please note: AKW shower trays are not generally suitable for use with power showers or high-flow systems.

STEP 2: CHOOSE A SHOWER SCREEN

Once you've chosen the tray, the next step is to specify a suitable shower screen ([page 153](#)).

- + **Entry and access:** It's important to think about how the shower screen opens (the entry path), so that there's space for other fittings such as the wash basin and toilet. Our shower screens are handed in the same manner as the trays, according to waste end.



STEP 3: BUY EVERYTHING YOU NEED TO COMPLETE YOUR INSTALLATION IN ONE PLACE



You can now buy everything you need to complete your installation from AKW, saving you time and money. AKW offers a huge selection of products including:



Placing an order

Ordering is easy; you can order online, by phone, fax or by emailing us.

Our friendly Customer Service team are here to help and can be contacted **Monday-Friday, from 8am-5pm.**

@ orders@akw-ltd.co.uk

orders.akw-ltd.co.uk

01905 823 299

01905 823 297

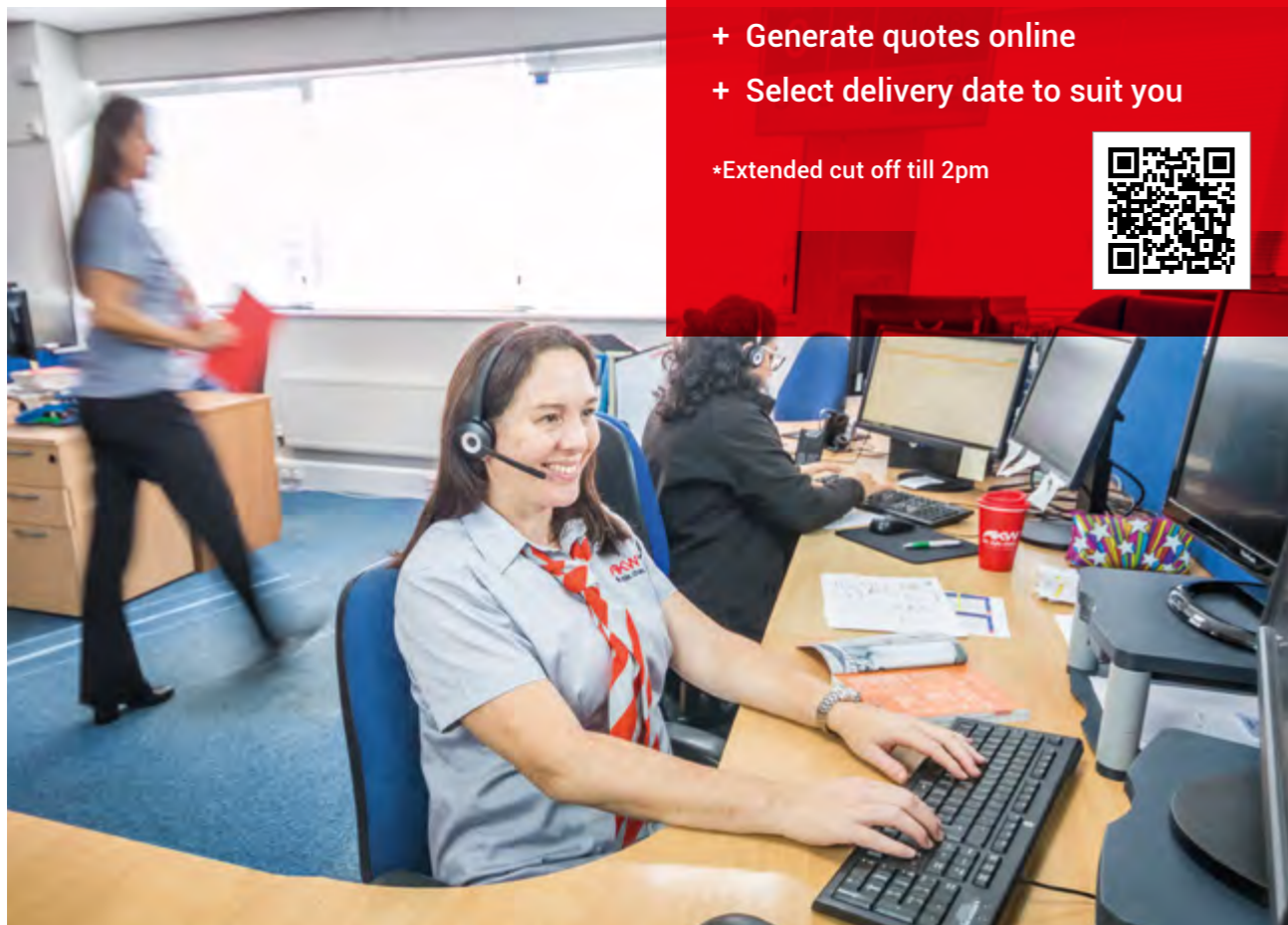
ORDERING ONLINE

orders.akw-ltd.co.uk



- + Available 24/7 via computer, tablet or smartphone
- + Get account-based pricing
- + Generate quotes online
- + Select delivery date to suit you

*Extended cut off till 2pm



Customer Services

Our Customer Service Centre is made up of over 25 members of staff who are our first point of contact for all customers. They manage on average 400 calls, 450 orders, and 200 quotations per day. Their average call wait time is just 6 seconds and we currently have a 99% service level.

We also have a **Technical Helpline** to answer any questions about our products and installation you may have, before or after purchase.

We are here to help, call our Technical Team on **01905 560 219** or Customer Services on **01905 823 299** from 8am-5pm.

TRADE COUNTER



You can collect your order the same day from our trade counter with **AKW's FREE click and collect service.**

Open Monday to Friday, from 8am to 5.30pm (last orders 4pm).

Independence House, Pointon Way, Hampton Lovett, Droitwich Spa, WR9 0LW



www.akw-ltd.co.uk/trade-counter

AKW'S SPECIALIST KITCHEN TEAM

For enquiries relating to AKW kitchens, get in touch with our specialist kitchen team. We also offer a **free kitchen survey** service to OTs and local authorities.

Request a Kitchen Catalogue here www.akw-ltd.co.uk/contact

01905 823 262
kitchens@akw-ltd.co.uk



Surveying excellence

At the heart of every successful project is careful planning, which is why AKW's specialist Surveying team covers the whole of the UK to complete over 7,500 adaptation surveys per year.

Naturally we put safety and security first, so all our surveyors carry AKW ID cards with Braille stickers for visually impaired customers. In addition they are all fully disclosure checked and they all wear AKW branded work wear to clearly identify them as AKW employees whilst attending the properties of potentially vulnerable people.

Our thorough surveys provide complete peace of mind that the products and installation methods we specify will meet the client's needs, fit first time and give trouble-free use for many years to come.

Please email CSS@akw-ltd.co.uk to arrange a survey.



Our simple three-stage survey process:

1

Within ten working days of receiving instruction, an experienced AKW surveyor will undertake a site survey and take all necessary measurements.

2

Our designs will be based on healthcare professional reports and tenants' specific needs to ensure we fully understand what is required and that we can provide the right technical advice.

3

Within five working days, we'll provide a 2D plan view (or 3D for kitchens) computer-aided drawing of how the new kitchen or bathroom will look.

Delivery



We have a dedicated logistics service with over 30 vehicles providing on-time, in full deliveries across the UK mainland.

XPO has tailored a flexible solution for AKW using a dedicated truck fleet running an average of **36 routes per day**.

Drivers distribute products nationwide to trade and e-commerce customers from AKW's warehouse in Droitwich Spa, Worcestershire, and four XPO satellite sites with access to provide palletised transport and global forwarding services as needed.

We will deliver goods to meet timescales and planning, whether you need your goods next day or in the future, we are happy to work with you to get the job done. All you need to do is ensure that your order is with us by the relevant cut off times, as detailed below:

Geographical area	Order cut-off	Delivery lead time or dedicated day
Mainland UK	12pm daily	Next working day
Highlands of Scotland	12pm daily	2 working days
Channel Islands	12pm daily	2 working days
Isle of Wight	12pm daily	3 working days
Isle of Man	12pm daily	2-3 working days



Scan for online orders site
Online ordering extended
cut off until 2pm



Scan the QR code for latest delivery
information or bank holiday updates
www.akw-ltd.co.uk/deliveries

Here to help

The best help comes from people who really understand your needs, no matter how big or small it may be.

You want your items delivered on time, which is why we have over 36 dedicated vehicles delivering nationwide, because no one takes as much care as us.

You want advice from people who've been in the same spot you're in, so our Technical team is staffed by installers with decades of experience, from 8am-5pm every weekday.

If our customers are happy, we're happy.



General enquiries:

☎ 01905 823 298

🖱 akw-ltd.co.uk

@ orders@akw-ltd.co.uk

Technical enquiries:

☎ 01905 560 219

@ tech@akw-ltd.co.uk

Regulation & compliance

AKW is committed to ensuring our products comply with all mandatory legislation, with many also having been tested to voluntary standards.



For any product carrying the UKCA Mark, we can supply a copy of the relevant Declaration of Performance (CPR) or Conformity (MDD).



BEAB Approval is used by electrical manufacturers to support CE Marking and demonstrate conformity with Low Voltage Directive (LVD).



For any product carrying the **CE Mark**, we can supply a copy of the relevant Declaration of Performance (CPR) or Conformity (MDD).



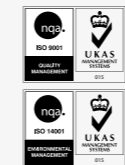
WRAS Approval demonstrates that a product won't cause waste, misuse, undue consumption or contamination of the water supply.



Products that carry the **BEAB Care Mark** comply with additional safety/performance criteria for use in hospitals and other care establishments.



The **RNIB Mark** identifies products that are easy to use if you're blind or partially sighted.



ISO 9001: International Standard for Quality Management Systems. **ISO 14001**: International Standard for Environmental Management Systems.



Products carrying the **EMC Mark** have been approved through Electromagnetic Compatibility (EMC) Testing from Intertek.



AKW is a member of the Bathroom Manufacturers Association (BMA).



The **European Water Label** aims to reduce water consumption by identifying the water consumption of relevant products.



AKW is an approved supplier of the **Association of Plumbing & Heating Contractors**.



All of our **Thermostatic Mixing Valves (TMVs)** meet the requirements for either the TMV2 (domestic sector) or TMV3 (healthcare sector) scheme.



The **Dementia Services Development Centre** at the **University of Stirling** have undertaken a review of two AKW product ranges and award them merit on specific attributes. See the **AKW SmartCare Electric Shower range** and **Safety Flooring** sections for more information.



Wet Rooms

Shower Screen Type

(with tray compatibility reference code):

- A** STANDARD SHOWER SCREENS
- SE** SLIDING SHOWER SCREENS
- A** SILVERDALE® SHOWER SCREENS
- GA** GLASS SHOWER SCREENS
- LAR** LARENCO SHOWER SCREENS
- OP** OPULENCE SHOWER SCREENS

L/R in the product code denotes whether the screen is Left or Right handed.

Wet Room Formers 29

ShowerDec®	29
Tuff Form8® Former	37
Tuff Form® Former	43
TriForm® Former	53

Tanking Kits & Accessories 58

MAPEI Wet Room Tanking Kit	59
MAPEI AquaDefense Kit	60
Threshold Kits	60
FormSafe® Kit	61

You may also need:

Waste Systems 109	Shower Screens 153	Showers 265
Walls & Safety Flooring 297	Timber 329	Plumbing Fittings 549



ShowerDec[®]

Quickly create a walk in wet room by installing a ShowerDec[®] wetroom floor former into the bathroom floor. ShowerDec[®] floor formers have a pre-formed gradient moulded into their top surface, so there is no need to manually create a fall in the floor to the shower formers waste position.

A ShowerDec[®] will greatly reduce installation time and is quicker and easier to install than traditional screeded methods.

- + ShowerDec[®] has been tested to 100 Stone / 635kg
- + No additional support needed around the waste
- + Can be cut to size in virtually any position
- + Falls of approximately 2° – 2.5° built into the top surface
- + Lifetime warranty

ShowerDec®

Wetroom shower former with exceptional strength, up to 100 stone / 635kg.

Features & Benefits

- + A level access wetroom shower former concealed beneath the vinyl or tiled flooring once installed
- + Exceptionally strong to accommodate a user with wheelchair and a carer (up to 100 stone / 635kg)
- + No additional support needed around the waste*
- + 24mm thick to facilitate installation with existing floorboards
- + 40mm flat area around the floor former perimeter for door placement & water retention
- + Larger shower area, ideal for wheelchairs
- + Range of half height shower doors available, from page 153
- + Supplied without a waste, see waste options page 34
- + Superior strength and rigidity, ideal for fitting under the bath in multi-tenant dwellings (when used with an adaptor)



*Tested in accordance with a standard floor with 16" joist centres of 47mm width & supported around the floor former outer edges. No additional support around the waste area.

Specifications

Thickness: 24mm thick to facilitate installation with existing floorboard

Weight limit: 100 stone (635kg)

Fall to waste: approximately 2.5°

Material composition: Compression moulding, SMC-GRP (Sheet Moulding Compound – Glass Reinforced Plastic)

Screen Compatibility: Larenco, Opulence, Level Best, Silverdale® and Standard Screens

Installation Details

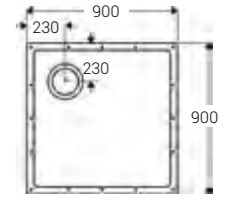
- + No raised collar around the underside of the waste for easy installation on timber floors
- + Circular ribbed underside designed for setting into a concrete or screed base & eliminates slippage when installing
- + Textured top surface allows excellent adhesion of vinyl flooring
- + Offset waste positions to avoid joists
- + Falls of approximately 2.5° built into the top surface
- + Pre-formed semi-drilled fixing points for secure installation
- + Can be cut to size in virtually any position using a circular saw or jigsaw
- + Suitable for timber & screeded floors

Dimensions, Size Options & Product Codes:

ShowerDec® Wetroom Former – 900 x 900mm

Former code: **SD900x900**

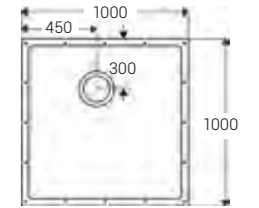
Compatible shower screens:



ShowerDec® Wetroom Former – 1000 x 1000mm

Former code: **SD1000x1000**

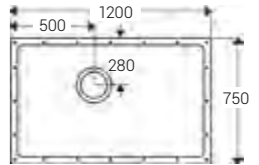
Compatible shower screens:



ShowerDec® Wetroom Former – 1200 x 750mm

Former code: **SD1200x750**

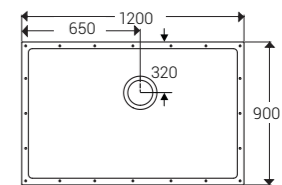
Compatible shower screens:



ShowerDec® Wetroom Former – 1200 x 900mm

Former code: **SD1200x900**

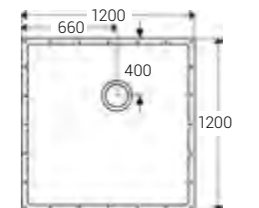
Compatible shower screens:



ShowerDec® Wetroom Former – 1200 x 1200mm

Former code: **SD1200x1200**

Compatible shower screens:



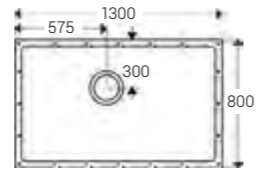
Dimensions, Size Options & Product Codes:

ShowerDec® Wetroom Former – 1300 x 800mm

Former code: **SD1300x800**

Compatible shower screens:

- EW5
- NW
- UW
- XW
- SE
- SJ
- SM
- SN
- SU
- SX
- NW
- GA
- LAR
- OP

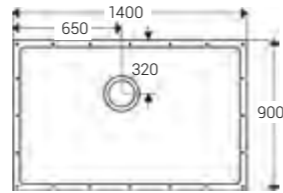


ShowerDec® Wetroom Former – 1400 x 900mm

Former code: **SD1400x900**

Compatible shower screens:

- BW
- EW
- EW5
- NW
- XW
- EW
- NW
- GA
- LAR
- OP

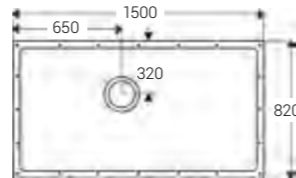


ShowerDec® Wetroom Former – 1500 x 820mm

Former code: **SD1500x820**

Compatible shower screens:

- BW
- EW
- NW
- TTW
- UW
- XW
- ZUW
- SE
- SJ
- SM
- SN
- SU
- SX
- SY
- EW
- NW
- GA
- LAR
- OP

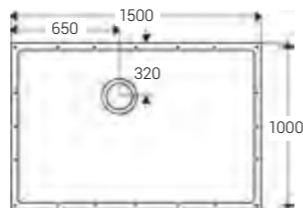


ShowerDec® Wetroom Former – 1500 x 1000mm

Former code: **SD1500x1000**

Compatible shower screens:

- NW
- TTW
- UW
- ZUW
- SJ
- SM
- SN
- SU
- SX
- NW
- GA
- LAR
- OP

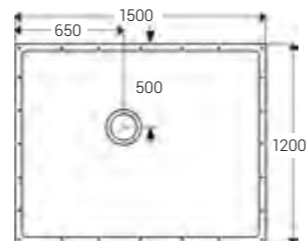


ShowerDec® Wetroom Former – 1500 x 1200mm

Former code: **SD1500x1200**

Compatible shower screens:

- EW
- NW
- TTW
- UW
- ZUW
- SJ
- SM
- SN
- SU
- SX
- NW
- GA
- LAR
- OP



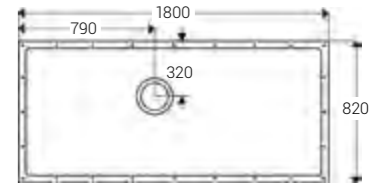
Dimensions, Size Options & Product Codes:

ShowerDec® Wetroom Former – 1800 x 820mm

Former code: **SD1800x820**

Compatible shower screens:

- NW
- PW
- TTW
- UW
- ZUW
- ZW
- SJ
- SN
- SU
- SX
- GA
- LAR
- OP

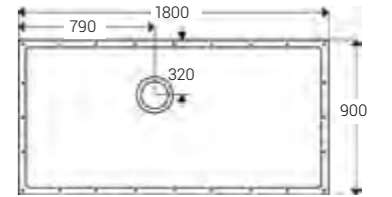


ShowerDec® Wetroom Former – 1800 x 900mm

Former code: **SD1800x900**

Compatible shower screens:

- NW
- PW
- TTW
- UW
- ZUW
- ZW
- SJ
- SN
- SU
- SX
- GA
- LAR
- OP



ShowerDec® Waste options

Wet Wastes

CTW01 Gravity Waste	08CTW01
----------------------------	----------------

TSG52 Gravity Waste

Gravity Waste	08GT52NSC
Square Tile Waste	08GT52-S
Round Vinyl Waste	08GT52-R

VSG1 Gravity Waste

Horizontal Outlet	08GV01NSC
Round Chrome Top	08GT11
Square Chrome Top	08GT14

TF75 Gravity waste

White	25106
Stainless Steel	LB00101
TF75 Bottom Outlet	25408

GW50 Gravity Waste

GW50 waste	25126 (Adaptor needed)
Vinyl Floor with Adaptor	25124
Tiled floor Swirl Adaptor	LB00102
Tiled floor Drilled Adaptor	21318

GW19 Gravity Waste

GW19 waste	25125
Vinyl Floor with Adaptor	25129
Tiled Floor Waste with Swirl Adaptor	LB00103
Tiled Floor Waste with Drilled Adaptor	21319

Pumped Wastes

08CUW01 Pumped Waste	08CUW01
USG1-WH	08GU21
Silentflow+ 22mm	25414

PGTF Pumped Waste

15mm Pumped Waste	25101
22mm SS-PGTF	LB00104

PW50 Pumped Waste

15mm Pumped Waste	25122 (Adaptor needed)
22mm Pumped Waste	25405 (Adaptor needed)

Adaptors

Adaptors – Vinyl Floor

Ø50mm Adaptor	25107
---------------	--------------

Adaptors – Tiled Floor

Swirl Adaptor	LB00171
Drilled Adaptor	25433

For details on these wastes see [page 109](#)

For details contact customer services on **01905 823 298**

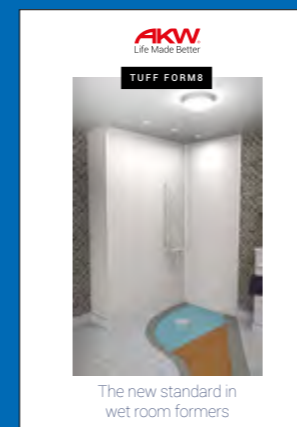




Tuff Form8®

Tuff Form8 is a level-access wet room former which combines all of Tuff Form's existing benefits with an innovative waste fitting to create our best, most uncompromising wet room former to date.

- + Octagonal waste plate achieves 15 different positions to make installation even easier
- + Easily trimmed on site to enable fast and simple installation
- + Exceptionally strong to accommodate a user with wheelchair and a carer (up to 60 stone / 381kg)
- + Level access with large size options
- + Well-engineered 1:16 gradient allows water to be drained away quickly



Download your copy of the **Tuff Form8** brochure:
akw-ltd.co.uk/catalogues-brochures-guides/

Tuff Form8®

Features & Benefits

- + Octagonal waste plate achieves 15 different positions to avoid all obstructing joists making it suitable for all UK joist patterns
- + Ability to remove octagonal plate makes for quick and easy installation of pipework
- + Waste installation requires no tedious screw hole drilling
- + Wide selection of waste options
- + Versatile applications suitable for both wooden and concrete floors
- + Easily trimmable within 150mm of the octagonal plate
- + No need for under boarding
- + Pre-formed fixing holes, for quick and easy installation
- + Suitable for use with underfloor heating
- + Ribbed underside structure eliminates slippage or float during installation
- + Designed with a variety of end users in mind, able to durably support wheelchair users and carers up to 60 stone on timber joists
- + A solid support by the cutting-edge SMC-GRP (Sheet Moulding Compound – Glass Reinforced Plastic) composite technology, enabling easy transportation and installation
- + Well-engineered 1:16 gradient ensure that there is no water pooling in the shower area thanks to the octagonal plate design that provides a continual fall all the way to the waste
- + Peace of mind for long-term use
- + Superior strength and rigidity, ideal for fitting under the bath in multi-tenant dwellings (when used with an adaptor)

Specifications

Thickness: 22mm to suit the 18mm UK timber floorboard + 4mm plywood, no extra adjustment needed for installation

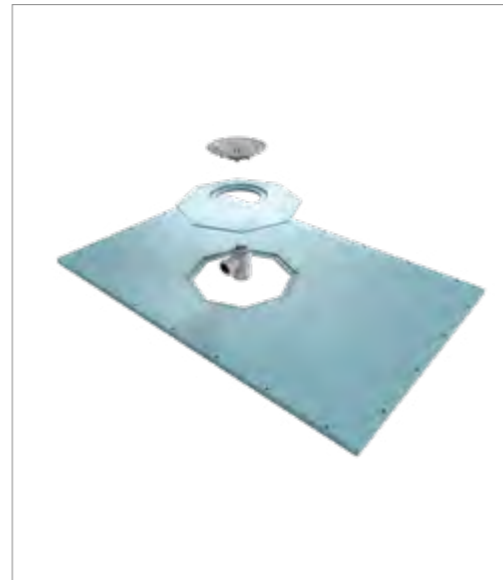
Weight limit: 60 stone (381kg) on joists/ unlimited on concrete

Fall to waste: 15mm

Material composition: Compression moulding, SMC-GRP (Sheet Moulding Compound – Glass Reinforced Plastic)

Screen Compatibility: Larenco, Opulence, Level Best, Silverdale® and Standard Screens

Tuff Form8



For guide to icons, see [page 17](#)



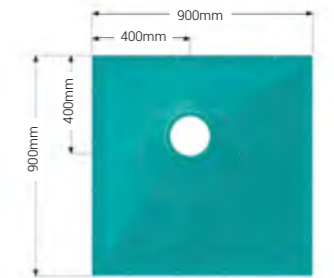
Approval: BS EN 14527

Dimensions, Size Options & Product Codes:

Tuff Form8® Wet Room Former – 900 x 900mm

Former only **21130**

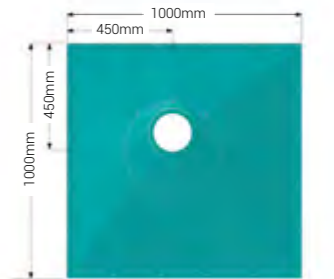
Compatible shower screens:



Tuff Form8® Wet Room Former – 1000 x 1000mm

Former only **21131**

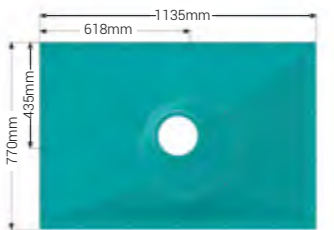
Compatible shower screens:



Tuff Form8® Wet Room Former – 1135 x 770mm

Former only **21132**

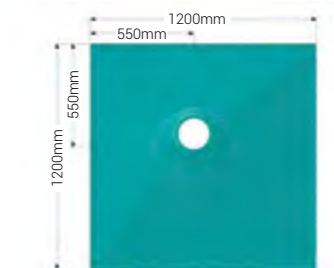
Compatible shower screens:



Tuff Form8® Wet Room Former – 1200 x 1200mm

Former only **21133**

Compatible shower screens:

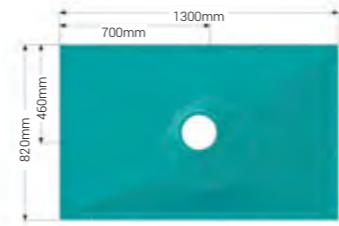


Dimensions, Size Options & Product Codes:

Tuff Form8® Wet Room Former – 1300 x 820mm

Former only **21134**

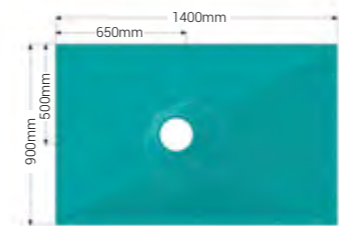
Compatible shower screens:



Tuff Form8® Wet Room Former – 1400 x 900mm

Former only **21135**

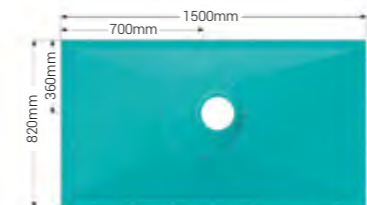
Compatible shower screens:



Tuff Form8® Wet Room Former – 1500 x 820mm

Former only **21136**

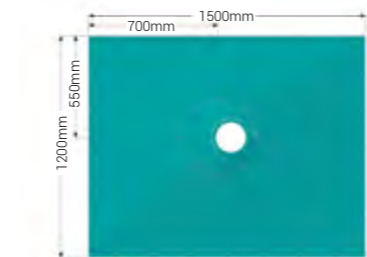
Compatible shower screens:



Tuff Form8® Wet Room Former – 1500 x 1200mm

Former only **21137**

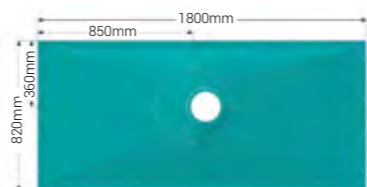
Compatible shower screens:



Tuff Form8® Wet Room Former – 1800 x 820mm

Former only **21138**

Compatible shower screens:



Tuff Form8® Waste options

Wet Wastes

CTW01 Gravity Waste **08CTW01**

TSG52 Gravity Waste

McAlpine Standard **08GT52NSC**

Square Chrome Waste **08GT52-S**

Round Chrome Waste **08GT52-R**

VSG1 Gravity Waste

Horizontal Outlet **08GV01NSC**

Round Chrome Top **08GT11**

Square Chrome Top **08GT14**

TF75 Gravity waste

White **25106**

Stainless Steel **LB00101**

TF75 Bottom Outlet **25408**

GW50 Gravity Waste

GW50 waste **25126**
(Adaptor needed)

Vinyl Floor with Adaptor **25124**

Tiled floor Swirl Adaptor **LB00102**

Tiled floor Drilled Adaptor **21318**

GW19 Gravity Waste

GW19 waste **25125**
(Adaptor needed)

Vinyl Floor with Adaptor **25129**

Tiled Floor Waste with Swirl Adaptor **LB00103**

Tiled Floor Waste with Drilled Adaptor **21319**

GW90-2 Low Depth Gravity Waste

with Vinyl Floor Adaptor **25499-UK**

with Tiled Floor Adaptor **25498-UK**

GW90 Gravity Wastes

GW90 waste **25120**
(Adaptor needed)

Low Depth GW90 **25404**
(Adaptor needed)

Metal Topped GW90 **25434**
(Adaptor needed)

Pumped Wastes

08CUW01 Pumped Waste **08CUW01**

USG1-WH **08GU21**

PGTF Pumped Waste Vinyl Floor

15mm Pumped Waste **25101**

22mm Silentflow+ **25414**

PGTF Pumped Waste Tiled Floor

22mm SS-PGTF **LB00104**

PW50 Pumped Waste

15mm Pumped Waste **25122**
(Adaptor needed)

22mm Pumped Waste **25405**
(Adaptor needed)

PW90 Pumped Waste

15mm Pumped Waste **25105**
(Adaptor needed)

22mm Pumped Waste **25406**
(Adaptor needed)

Dry Wastes

DW90 Low Depth Dry Shower Waste

Waste with Tiled Floor Adaptor **25418-UK**

Waste with Vinyl Floor Adaptor **25419-UK**

Adaptors

Adaptors – Vinyl Floor

Ø50mm Adaptor **25107**

Ø90mm Adaptor **25409**

Adaptors – Tiled Floor

Ø50mm Swirl Adaptor **LB00171**

Ø50mm Drilled Adaptor **25433**

For details on these wastes see **page 109**

i For installation information - see **page 49**

For details contact customer services on **01905 823 298**



Tuff Form®

Helping you create wet floor shower areas and multi-user bathrooms, Tuff Form makes excellent use of available space.

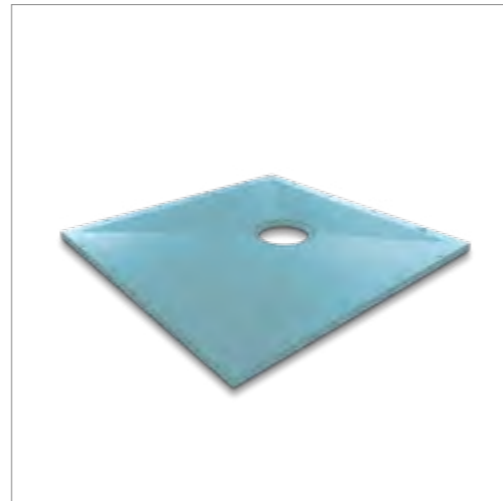
- + Creates a full level-access showering solution
- + Easily trimmed on site to enable fast and simple installation
- + Exceptionally strong to accommodate a user with wheelchair and a carer (up to 60 stone / 381kg)
- + Over half a million formers sold worldwide

Tuff Form



Features & Benefits

- + Creates a full level access showering solution for both wooden and solid floors
- + A solid support by the cutting-edge SMC-GRP (Sheet Moulding Compound – Glass Reinforced Plastic) composite technology, enabling easy transportation and installation
- + Easily trimmable within 150mm of the waste
- + Ribbed underside structure eliminates slippage or float during installation
- + Offset waste position to avoid joists or pipework
- + Pre-formed fixing holes, for quick and easily installation
- + Exceptionally strong to accommodate a user with wheelchair and a carer too (up to 60 stone / 381kg bearing weight)
- + Proven popularity with over a million installations worldwide
- + A variety of screen sizes and styles give you added choice
- + A wet floor installation with suitable slip-resistant flooring provides excellent water integrity with comfort and safety underfoot
- + Superior strength and rigidity, ideal for fitting under the bath in multi-tenant dwellings (when used with an adaptor)



For guide to icons, see [page 17](#)



Approval: BS EN 14527

Specification

Thickness: 22mm to suit the 18mm UK timber floorboard + 4mm plywood, no extra adjustment needed for installation

Weight limit: 60 stone (381kg) on joists/ unlimited on concrete

Fall to waste: 15mm

Material composition: Compression moulding, SMC-GRP (Sheet Moulding Compound – Glass Reinforced Plastic)

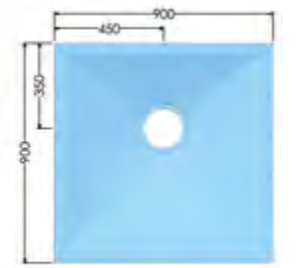
Screen Compatibility: Larenco, Opulence, Level Best, Silverdale® and Standard Screens

Dimensions, Size Options & Product Codes:

Tuff Form® Wet Room Former – 900 x 900mm

Former only **21000**

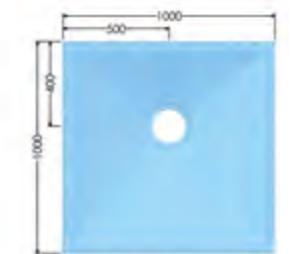
Compatible shower screens:



Tuff Form® Wet Room Former – 1000 x 1000mm

Former only **21008**

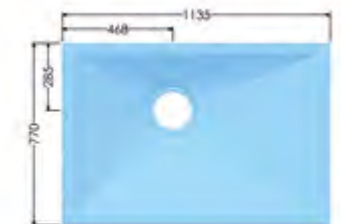
Compatible shower screens:



Tuff Form® Wet Room Former – 1135 x 770mm

Former only **21012**

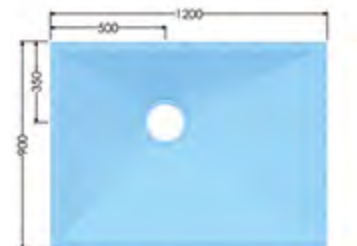
Compatible shower screens:



Tuff Form® Wet Room Former – 1200 x 900mm

Former only **21015**

Compatible shower screens:



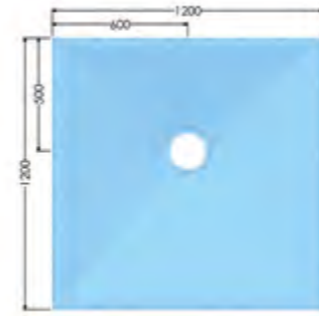
Dimensions, Size Options & Product Codes:

Tuff Form® Wet Room Former – 1200 x 1200mm

Former only **21018**

Compatible shower screens:

- HW
- MW
- NW
- SJ
- SM
- SN
- SU
- SX
- EW
- MW
- GA
- LAR
- OP

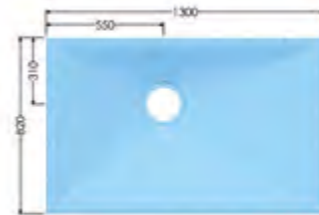


Tuff Form® Wet Room Former – 1300 x 820mm

Former only **21027**

Compatible shower screens:

- EW
- EW5
- NW
- UW
- XW
- SE
- SJ
- SM
- SN
- SU
- SX
- SY
- EW
- NW
- GA
- LAR
- OP

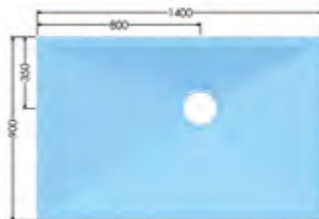


Tuff Form® Wet Room Former – 1400 x 900mm

Former only **21028**

Compatible shower screens:

- BW
- EW
- EW5
- NW
- XW
- EW
- NW
- GA
- LAR
- OP

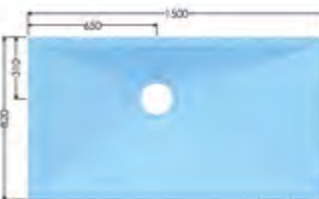


Tuff Form® Wet Room Former – 1500 x 820mm

Former only **21036**

Compatible shower screens:

- BW
- EW
- NW
- TTW
- UW
- XW
- ZUW
- SE
- SJ
- SM
- SN
- SU
- SX
- SY
- EW
- NW
- GA
- LAR
- OP



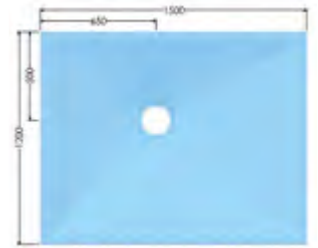
Dimensions, Size Options & Product Codes:

Tuff Form® Wet Room Former – 1500 x 1200mm

Former only **21045**

Compatible shower screens:

- EW
- NW
- TTW
- UW
- ZUW
- SJ
- SM
- SN
- SU
- SX
- NW
- GA
- LAR
- OP

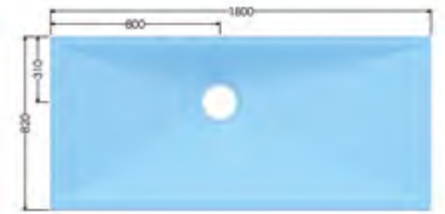


Tuff Form® Wet Room Former – 1800 x 820mm

Former only **21050**

Compatible shower screens:

- NW
- PW
- TTW
- UW
- ZUW
- ZW
- SJ
- SN
- SU
- SX
- GA
- LAR
- OP



See **Compatible shower screens** starting on **page 153**

Tuff Form® Waste options

Wet Wastes

CTW01 Gravity Waste	08CTW01
TSG52 Gravity Waste	
McAlpine Standard	08GT52NSC
Square Chrome Waste	08GT52-S
Round Chrome Waste	08GT52-R
VSG1 Gravity Waste	
Horizontal Outlet	08GV01NSC
Round Chrome Top	08GT11
Square Chrome Top	08GT14
TF75 Gravity waste	
White	25106
Stainless Steel	LB00101
TF75 Bottom Outlet	25408
GW50 Gravity Waste	
GW50 waste	25126 (Adaptor needed)
Vinyl Floor with Adaptor	25124
Tiled floor Swirl Adaptor	LB00102
Tiled floor Drilled Adaptor	21318
GW19 Gravity Waste	
GW19 waste	25125 (Adaptor needed)
Vinyl Floor with Adaptor	25129
Tiled Floor Waste with Swirl Adaptor	LB00103
Tiled Floor Waste with Drilled Adaptor	21319
GW90-2 Low Depth Gravity Waste	
with Vinyl Floor Adaptor	25499-UK
with Tiled Floor Adaptor	25498-UK
GW90 Gravity Wastes	
GW90 waste	25120 (Adaptor needed)
Low Depth GW90	25404 (Adaptor needed)
Metal Topped GW90	25434 (Adaptor needed)

Pumped Wastes

08CUW01 Pumped Waste	08CUW01
USG1-WH	08GU21
PGTF Pumped Waste Vinyl Floor	
15mm Pumped Waste	25101
22mm Silentflow+	25414
PGTF Pumped Waste Tiled Floor	
22mm SS-PGTF	LB00104
PW50 Pumped Waste	
15mm Pumped Waste	25122 (Adaptor needed)
22mm Pumped Waste	25405 (Adaptor needed)
PW90 Pumped Waste	
15mm Pumped Waste	25105 (Adaptor needed)
22mm Pumped Waste	25406 (Adaptor needed)
Dry Wastes	
DW90 Low Depth Dry Shower Waste	
Waste with Tiled Floor Adaptor	25418-UK
Waste with Vinyl Floor Adaptor	25419-UK
Adaptors	
Adaptors – Vinyl Floor	
Ø50mm Adaptor	25107
Ø90mm Adaptor	25409
Adaptors – Tiled Floor	
Ø50mm Swirl Adaptor	LB00171
Ø50mm Drilled Adaptor	25433

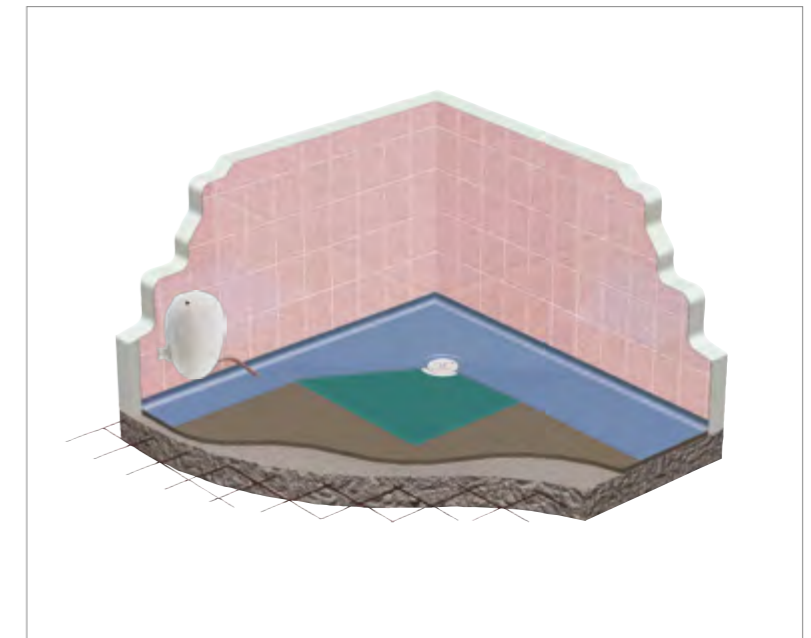
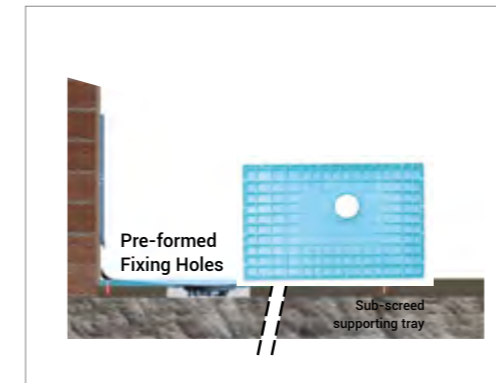
For details on these wastes see [page 109](#)

i For installation information - see [page 49](#)

For details contact customer services on **01905 823 298**

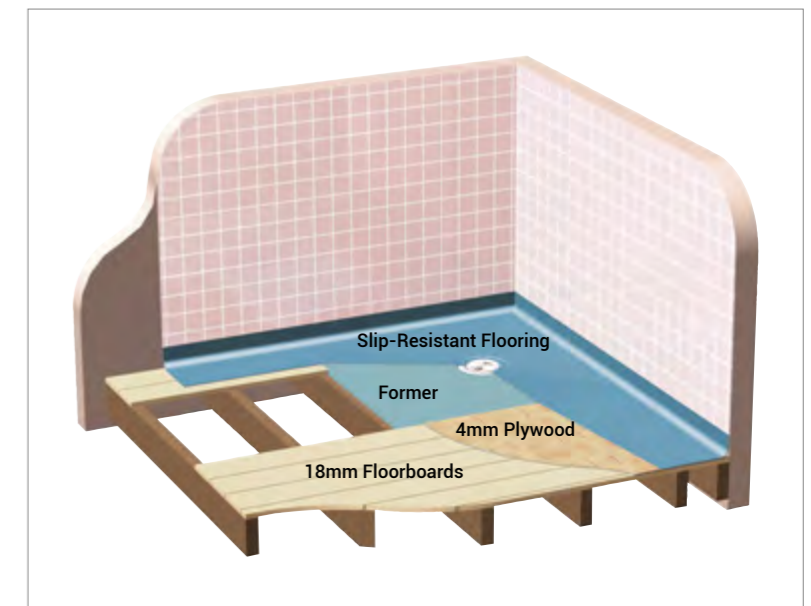
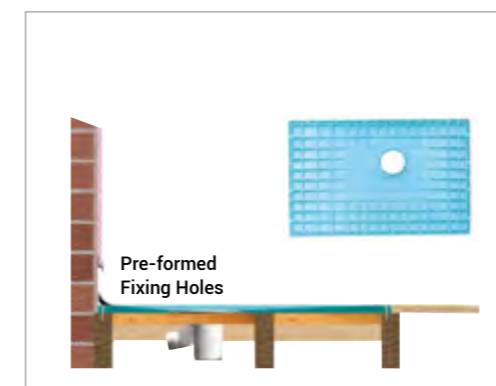
Tuff Form Shower Tray: Concrete Floor Installation

Tuff Form® inset into screed for complete level access on a concrete floor. Features the AKW PGTF Pumped Gulley Waste.



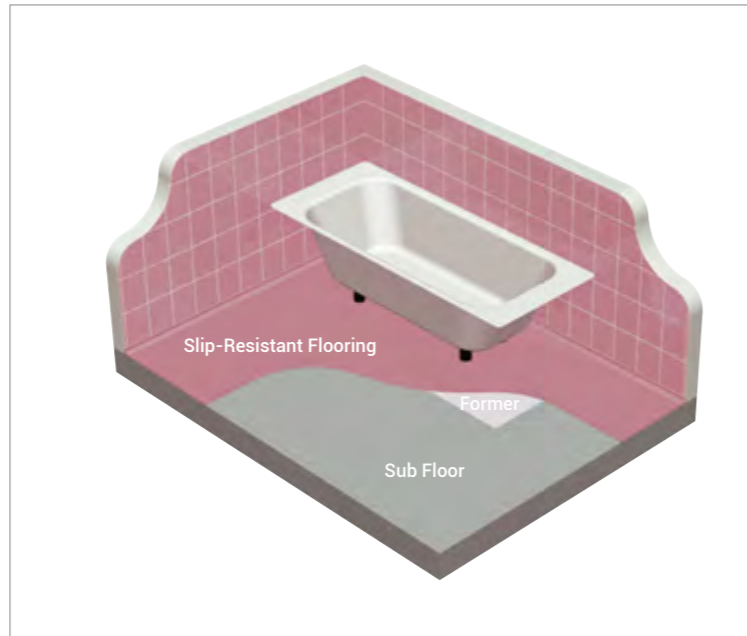
Tuff Form Shower Tray: Wooden Floor Installation

Tuff Form® installed on wooden joists. Features the AKW TF75 Gravity Waste.



Tuff Form® Former: Bathroom for Life Installation

Tuff Form® offers superior strength and rigidity which can support a bath and bather. Installed with a Bath-to-Tray Adaptor, this provides an easy upgrade from a conventional bathroom to a wet floor showering area when needed.



See TF75/TFWA Bath-to-Tray Adaptor on page 142



From this

to this



TriForm®

TriForm® performs superbly and looks even better to create a truly aspirational yet functional showering experience. Offering perfectly level access, TriForm® can be used with a wide range of tiles and finishes.

- + Reversible two-in-one cover offers a choice of two different finishes
- + Three easy-fit waste positions deliver superior flow capacity
- + Exceptional drainage – up to 78 litres a minute with all three wastes fitted
- + Great weight bearing capacity of up to 40 stone / 254kg

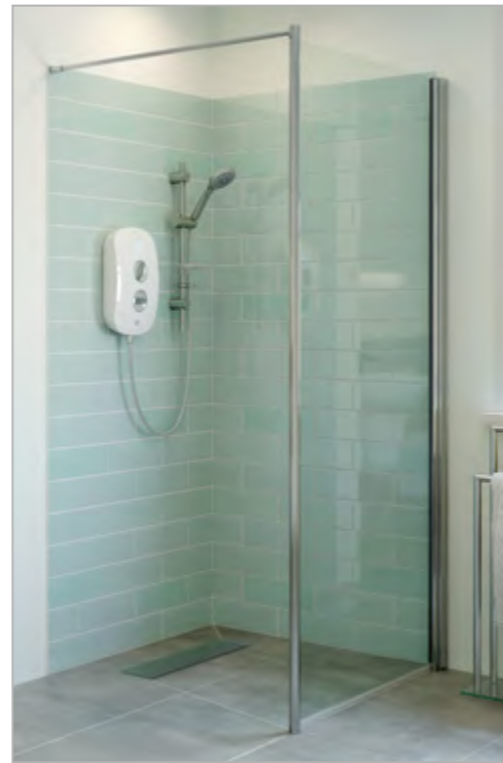
TriForm

Features & Benefits

- + Exceptional drainage, capable of handling a flow rate of up to 78 litres of water per minute with all three wastes fitted
- + Enhanced strength through its material composition accommodates a greater weight bearing capacity of up to 40 stone / 254kg
- + Create a full level access showering area, for use with tiles only, up to 25mm thick
- + Numerous waste positions available to easily avoid joists
- + Drill guides included for easy installation
- + Self-supporting and suitable for ground floor and upstairs bathrooms
- + Reversible two-in-one cover offers a choice of two different finishes
- + Three easy-fit waste positions deliver superior flow capacity

Specifications

Thickness: 22mm to suit the 18mm UK timber floorboard + 4mm plywood, no extra adjustment needed for installation
Strength: 40 stone (254kg)
Waste cover adjustment: 6-16mm or 16-25mm reversible tileable stainless steel waste
Fall to waste: approximately 1:40
Material Composition: GRP (Glass Reinforced Plastic) fibreglass hand lay-up
Screen Compatibility: Larenco, Level Best, Silverdale® and Standard Screens



For guide to icons, see [page 17](#)



Dimensions, Size Options & Product Codes:

TriForm® Wet Room Former – 900 x 900mm

Former Only: **21205**

Compatible shower screens:



TriForm® Wet Room Former – 1000 x 1000mm

Former Only: **21206**

Compatible shower screens:



TriForm® Wet Room Former – 1200 x 900mm

Former Only: **21209**

Compatible shower screens:



TriForm® Wet Room Former – 1200 x 1200mm

Former Only: **21208**

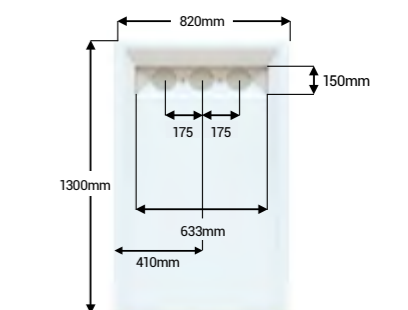
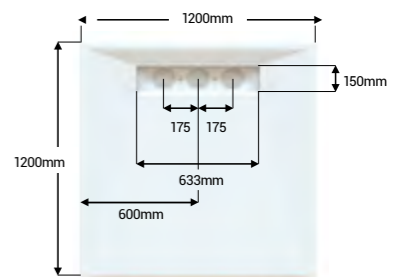
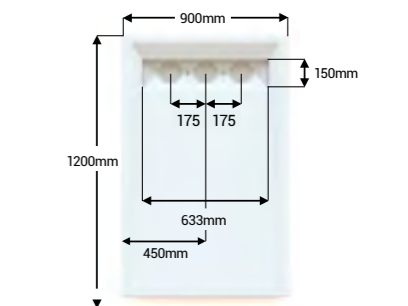
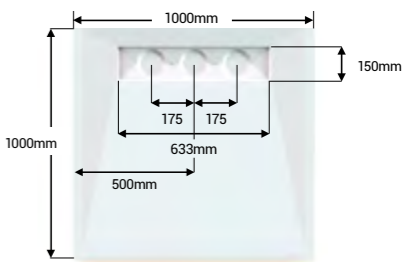
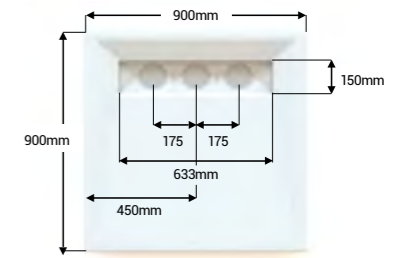
Compatible shower screens:



TriForm® Wet Room Former – 1300 x 820mm

Former Only: **21207**

Compatible shower screens:



See [Compatible shower screens](#) starting on [page 153](#)

TriForm® Gulley Waste

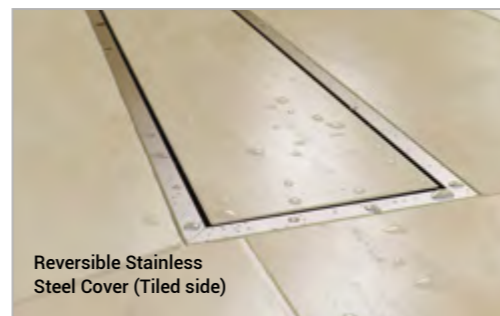
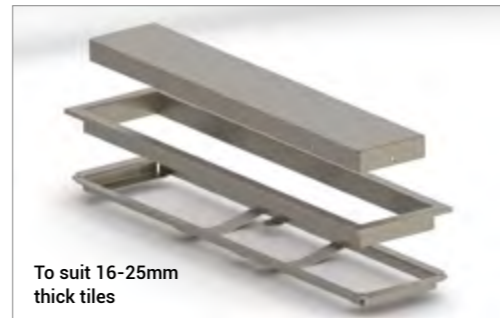
Gulley Waste drain kit and cover options for use with any TriForm® wet floor former.

Features & Benefits

- + Two cover options: a two-in-one option (stainless steel on one side, a tiling option on reverse) and a one-sided decorative stainless steel slotted cover
- + Suitable to use with tiles ranging from 6-25mm

Product Codes

TriForm® Stainless Steel/Reverse-to-Tile Gulley Waste Kit (to suit 6-16mm thick tiles)	21213
TriForm® Stainless Steel/Reverse-to-Tile Gulley Waste Kit (to suit 16-25mm thick tiles)	21214
TriForm® Decorative Stainless Steel Slotted Gulley Waste Kit (to suit 6-16mm thick tiles)	21215
TriForm® Decorative Stainless Steel Slotted Gulley Waste Kit (to suit 16-25mm thick tiles)	21216



TriForm Waste options

Wet Wastes

GW50 Gravity Waste

GW50 waste	25126
------------	-------

GW19 Gravity Waste

GW19 waste	25125
------------	-------

GW90 Onyx Gravity Waste

GW50 waste	25694
------------	-------

Dry Wastes

DW90 Onyx Gravity Waste

25969-UK

Pumped Wastes

PW50 Pumped Waste

15mm Pumped Waste	25122
-------------------	-------

22mm Pumped Waste	25405
-------------------	-------

PW90 Pumped Waste

15mm Pumped Waste	25105
-------------------	-------

22mm Pumped Waste	25406
-------------------	-------

22mm PW90 Onyx	25695
----------------	-------

For details on these wastes see [page 109](#)

For details contact customer services on [01905 823 298](tel:01905 823 298)

Tanking Kits & Accessories

Our tanking kits make your wet room 100% watertight. The range of options include fast-drying flexible liquid tanking membranes, to a pre-formed rubberised membrane system which is ready to tile immediately.



MAPEI Wet Room Tanking Kit

Features & Benefits

- + Waiting time 1-2 hours between each coat; 12-24 hours before laying ceramic
- + Complete drying: 5 hours (2mm of thickness at +23°C)
- + Flexible, anti-fracture membrane
- + Can be used on the following; plasterboard, gypsum or cementitious render, lightweight cement block and marine plywood
- + Consumption: 1.5kg/sqm
- + Application by trowel, roller or by spraying
- + Ready to use – solvent free
- + Single component
- + Storage: 24 months (protect from frost)
- + Easy to use tanking system

Product Codes

MAPEI Wet Room Tanking Kit	LB00113
Mapegum WPS (5kg/10kg/20kg)	LB00115/ LB00114/ LB00139
Mapeband Tape (10m x 120mm wide)	LB00118
Mapeband Internal Corners x2	LB00116
Mapeband External corners x2	LB00117
Mapeband Waste Outlet Gasket	LB00119
Mapeband Pipe Inlet Kit	LB00120

Kit includes

- 1x 10kg drum of Mapegum WPS (5m² coverage),
- 10 metres of Mapeband Tape (120mm wide),
- 4x Mapeband Internal Corners,
- 1x Mapeband Waste Outlet Gasket (400 x 400mm) and 1x Mapeband Pipe Inlet Kit.



MAPEI AquaDefense Kit

Ready to use, flexible, ultra-rapid drying waterproofing membrane for interior and exterior use in showers, wet rooms and on balconies. For use with all AKW formers. Can be reinforced with Mapetex SEL to provide an anti-fracture membrane.

Features & Benefits

- + Kit includes: 1x Mapei Primer G, 5 metres of Mapeband Tape (120mm wide) and 7.5kg drum of Mapelastic Aquadefense
- + Very fast drying (can be tiled after 4 hours)
- + 100% watertight
- + One-component, ready-to-use liquid



Product Code

MAPEI AquaDefense Kit 21323

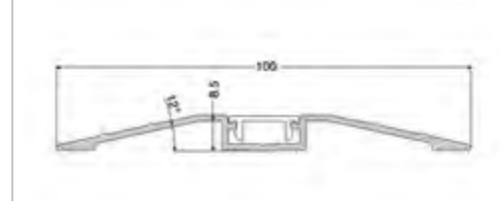
Threshold Kits

Features & Benefits

- + Made from aluminium, for use on wet floors
- + Screw to floor and use silicone to seal
- + Helps to retain water within showering area
- + Screens can also be fitted with a threshold kit
- + Can be used as a ramp
- + Available as L-shaped or straight
- + Also available as made-to-measure



Threshold Kit Side Profile



Product Codes

900x900mm L-Shaped Threshold Kit	25026
1000x1000mm L-Shaped Threshold Kit	25027
1135x770mm L-Shaped Threshold Kit	25029L/R
1200x1200mm L-Shaped Threshold Kit	25030
1400x900mm L-Shaped Threshold Kit	25032L/R
1300x820mm L-Shaped Threshold Kit	25028L/R
1500x820mm L-Shaped Threshold Kit	25031L/R
2000mm Straight Threshold Kit	25025
Made-to-Measure Threshold Kit	25035

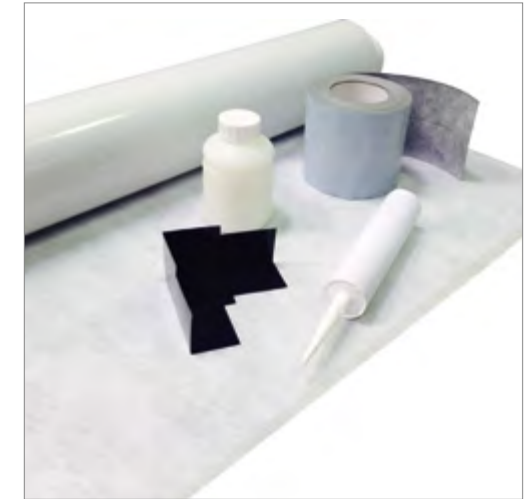
L/R in the product code denotes whether the kit is Left or Right handed.

FormSafe® Kit

FormSafe® is a unique, pre-formed flexible self-adhesive waterproof membrane. Consisting of a 1mm thick rubberised waterproof layer, incorporating a fabric mesh on one side.

Features & Benefits

- + Cold applied, therefore no heating equipment required and no risk of fire or damage
- + Manufactured from a waterproof material that provides a completely waterproof barrier for peace of mind
- + Effective de-coupling membrane between tiles and floor prevents noise transfer and accommodates expansion/contraction in the floor or tiles
- + FormSafe can be tiled immediately after fitting significantly reducing wet room installation time
- + Self-adhesive membrane with a paper top layer prevents mess and ensures no foreign bodies adhere to the surface during installation
- + Spans cracks/gaps up to 2.25mm
- + Available in 5m² and 10m² kits which include all required parts
- + Suitable for timber and solid floors, providing flexibility for various site conditions



Product Codes

5m ² FormSafe® Kit	23610
10m ² FormSafe® Kit	23611

Kit includes

- 1 x Reinforcing tape
- 1 x Primer
- 1 x Joining compound
- 1 x Membrane 5m² or 10m²



Shower Trays



Braddan Trays	65
Sulby Trays	73
Sulby 2	76
Swift Trays	83
Eagle TWO Trays	87
Low Profile Trays	91
Onyx Exclusif Trays	97
Onyx Linea Tray	102
Mullen® Trays	105

You may also need:

Waste Systems 109	Shower Screens 153	Showers 265
Walls & Safety Flooring 297	Timber 329	Plumbing Fittings 549

Braddan

With extensive choice and easy installation, Braddan is a long-term favourite among specifiers, installers and end users.

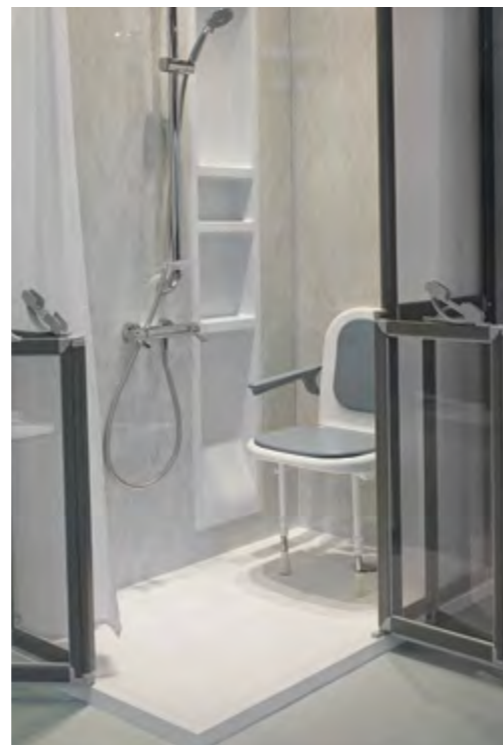
- + Unique design offers options for a surface mounted, level access or step in shower enclosure
- + Suitable for all installation types with no extra support needed
- + A slip-resistant surface makes them safe to use
- + Integral added strength for extra peace of mind



Braddan Shower Tray

Features & benefits

- + The Braddan's unique design can create a full level-access, (except on a concrete floor) surface-mounted or step-in shower enclosure suitable for all floor types, no under-tray foaming required
- + Shower tray creates a visually defined showering area particularly useful for those with visual impairment
- + Made from GRP with a slip-resistant textured surface for added safety
- + Integral added strength for extra peace of mind
- + A central waste position at the end of the tray
- + 5 waste options available (gravity and pumped wastes)
- + Excellent drainage achieved with 35mm fall inside the tray
- + Factory fitted upward pumped waste option is designed for unbreachable floor installations
- + Non handed shower tray can be specified for both left or right-handed installations
- + Suitable for corner and alcove fittings
- + 'Trim-to-length' Kit supplied with 1800mm trays (can be trimmed to 1500mm)
- + All trays are supplied with 3 tiling upstands ensuring a watertight seal between the tray and tiles
- + Ramp kits available for wheelchair access on surface mounted installations



Specifications

Tray height: 40mm

Material composition: GRP (Glass-reinforced plastic) with the exception of 1200 x 700; 1200 x 820; 1300 x 700, 1420 x 700 and 1800 x 700 trays which are SMC (sheet moulded compound)

Weight limit: 30 stone / 190kg

Fall to Waste: 35mm

Screen Compatibility: Larenco, Level Best, Silverdale® and Standard Screens



For guide to icons, see [page 17](#)



See waste options from [page 109](#)

Size Options & Product Codes:

Tray size	Tray only	Tray with Upward Pump Waste
800 x 800 (GRP)	16522	16523
820 x 820 (GRP)	16470	16471
900 x 900mm (GRP)	16472	16473
1000 x 700mm (GRP)	16000	16083
1000 x 800mm (GRP)	16528	16529
1000 x 1000mm (GRP)	16071	16168
1100 x 800mm (GRP)	16196	16197
1200 x 650mm (GRP)	16360	16361
1200 x 700mm (SMC)	16006	16090
1200 x 760mm (GRP)	16012	16175
1200 x 820mm (SMC)	16045	16135
1200 x 900mm (GRP)	16520	16521
1300 x 700mm (SMC)	16013	16100
1300 x 820mm (GRP)	16050	16141
1400 x 900mm (GRP)	16063	16082
1420 x 700mm (SMC)	16022	16109
1420 x 820mm (GRP)	16058	16150
1500 x 700mm (GRP)	16495	16496
1500 x 820mm (GRP)	16531	16532
1600 x 700mm (GRP)	16442	16443
1700 x 700mm (SMC)	16028	16121
1800 x 700mm (SMC)	16039	16129
1800 x 820mm (GRP)	16065	16161
1800 x 900mm (GRP)	16099	16120

- Standard Screens
- Level Best Glass Screens
- Sliding Screens
- Silverdale Shower Screens
- Larenco Glass Screens
- Opulence Glass Screens

Shower Screen Compatibility

Tray size	Compatible Screens
800 x 800 (GRP)	E H HF M E HF M GA LAR OP
820 x 820 (GRP)	E E GA
900 x 900mm (GRP)	E H HF M SE SM E HF M GA LAR OP
1000 x 700mm (GRP)	A C E E5 H HF M N SM A E M GA LAR
1000 x 800mm (GRP)	E H HF M N SM M GA LAR OP
1000 x 1000mm (GRP)	BF C E H HF M N SE SM GA E HF M GA LAR OP
1100 x 800mm (GRP)	GA OP
1200 x 650mm (GRP)	C K M N SJ SM SN SU SX M N GA LAR
1200 x 700mm (GRP)	A B C D E K M N X SE SJ SM SN SU SX SY A E M N GA LAR OP
1200 x 760mm (SMC)	A B C D E K M N SE SJ SM SN SU SX M N GA LAR
1200 x 820mm (GRP)	B C E E5 M N SE SJ SM SN SU SX SY E M N GA LAR
1200 x 900mm (SMC)	E E5 M N SJ SM SN SU SX E M N GA LAR OP
1300 x 700mm (SMC)	A B C D E J M N Q U X Y SE SJ SM SN SU SX SY A E M N GA LAR OP
1300 x 820mm (GRP)	C E J M N U Y SE SJ SM SN SU SX SY E M N GA LAR OP
1400 x 900mm (SMC)	E5 N X GA LAR OP
1420 x 700mm (SMC)	B J K N Q U X Y SE SJ SM SN SU SX SY B N X Y GA
1420 x 820mm (GRP)	B J K N U X Y SE SJ SM SN SU SX SY N GA
1500 x 700mm (GRP)	B N TT X Z SE SJ SM SN SU SX SY N TT GA LAR OP
1500 x 820mm (GRP)	N TT Z SE SJ SM SN SU SX SY N TT GA LAR OP
1600 X 700mm (GRP)	N TT Z TT GA LAR OP
1700 x 700mm (SMC)	B J K N TT Y Z SJ SM SN SU SX N TT Y GA LAR OP
1800 x 700mm (SMC)	N P TT XF YF Z SJ SM SN SU SX TT XF GA LAR OP
1800 x 820mm (GRP)	N P TT YF Z SJ SM SN SU SX TT XF GA LAR OP
1800 x 900mm (GRP)	N P TT Z SJ SM SN SU SX TT GA LAR OP

SMC Tray

Sheet molding compound (SMC) is a high-strength composite material comprising primarily a thermosetting resin, filler(s), and fiber reinforcement.



GRP Tray

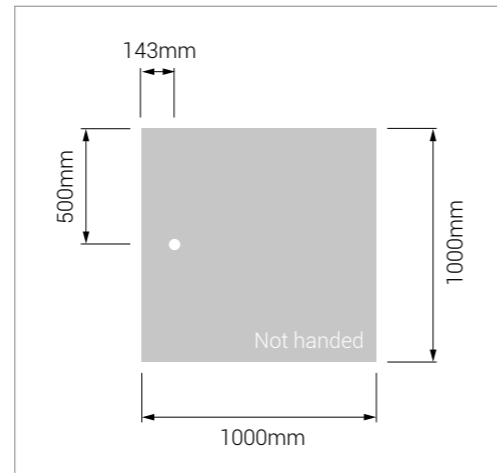
Glass reinforced plastic (GRP) is made of synthetic resin as main basic material and glass fiber or other product as reinforced material, processed into a solid material by molding and setting.



Tray Dimensions

- + All trays are not handed and can fit either to the left or right
- + Distance from tray edge to waste is 143mm on all tray sizes.

i For more information please see specification on-line at orders.akw-ltd.co.uk



Braddan Waste Options



GW19 19mm Gravity Waste

25125
For details see **page 118**



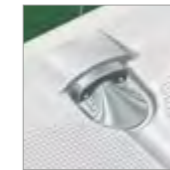
PW50 Standard Pumped Waste

15mm: 25122
22mm: 25405
For details see **page 133**



GW50 Gravity Waste

25126
For details see **page 118**



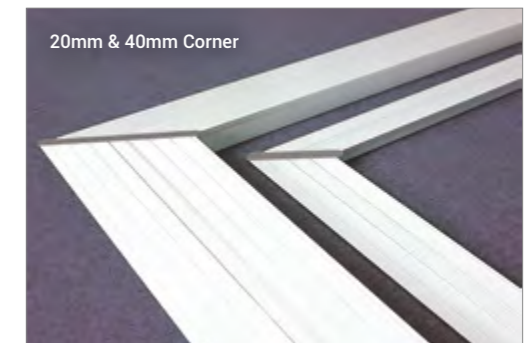
Upward Discharge (factory fitted waste)

07130

Braddan Aluminium Ramp Kits

Features & Benefits

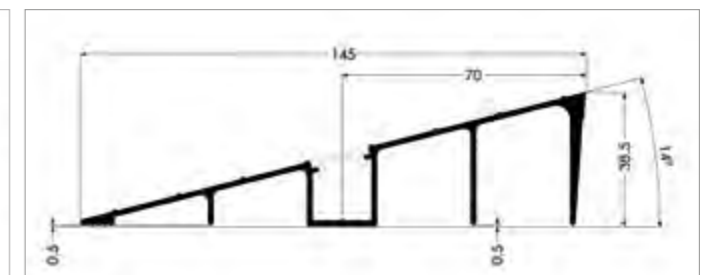
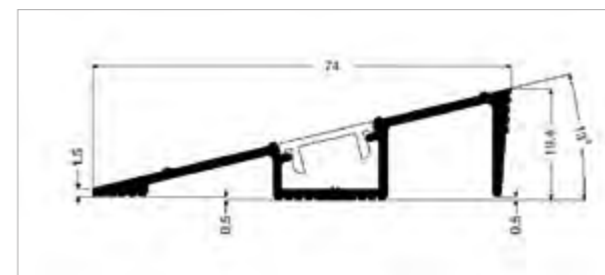
- + Allow easy wheelchair access
- + Available for surface-mounted or semi-recessed trays in 20mm and 40mm heights*
- + Supplied for corner or straight access
- + Can be cut to size on site
- + Made-to-measure available



Product Codes

20mm Straight Ramp (length 1800mm)	25000
40mm Straight Ramp (length 1800mm)	25002
20mm Corner Ramp (suitable for 900 x 900mm tray)	25001
40mm Corner Ramp (suitable for 900 x 900mm tray)	25003
Made-to-Measure	25012

Actual height for 20mm ramp is 19.4mm. Actual height for 40mm ramp is 38.5mm
Maximum external dimensions: 145mm (40mm high) and 74mm (20mm high)



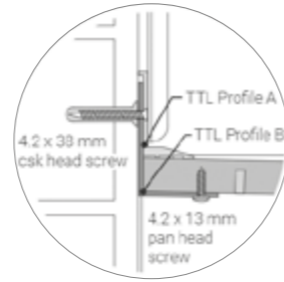
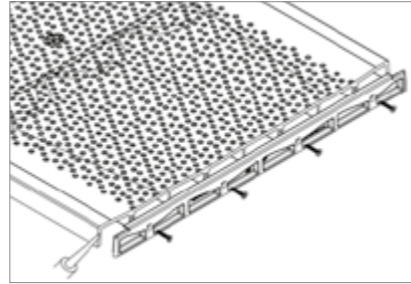
If using vinyl flooring please use made-to-measure kit

Braddan Cut-to-Length Kits

Cut-to-Length kits are supplied with all 1800mm long Braddan trays.

Braddan - 1800 x 700

1800 x 700 Trim-to-length Braddan trays are manufactured from SMC and are supplied with a separate end cap. If the trays need to be reduced in size to fit into an alcove the end cap then needs to be sealed to the cut end prior to the tiling flange being fitted.

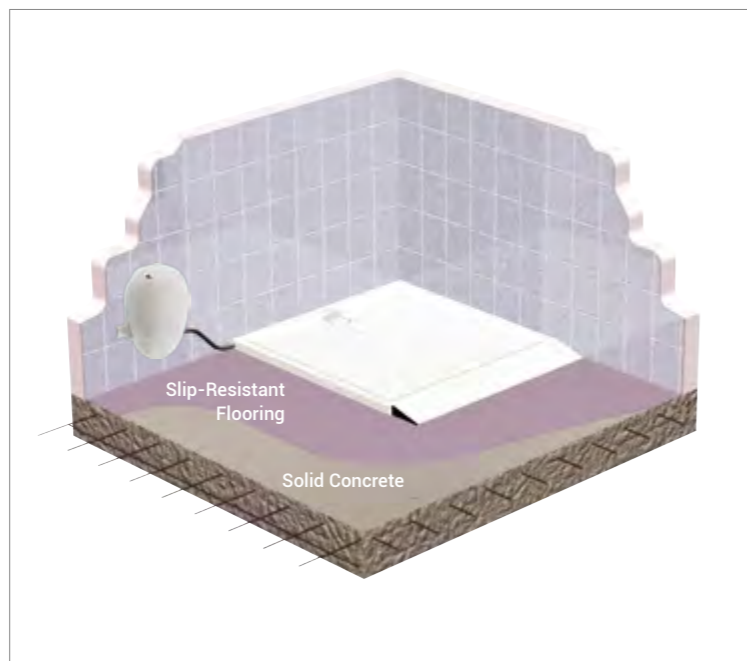
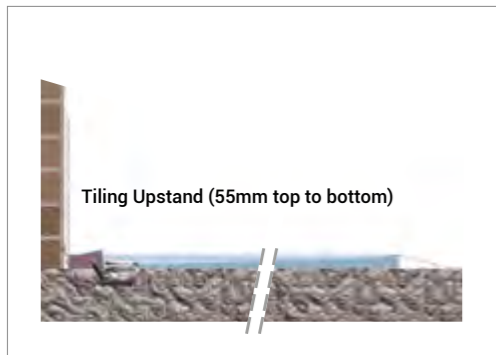


Braddan - 1800 x 820

1800 x 820 Trim-to-length Braddan trays are manufactured from GRP. The trim-to-length kit comprises of two lengths of aluminium extrusion. The first piece is secured to the underside of the cut end of the tray. This is then secured into the wall. The second section is then secured over the first and sealed on top of the tray prior to tiling to provide a water tight seal.

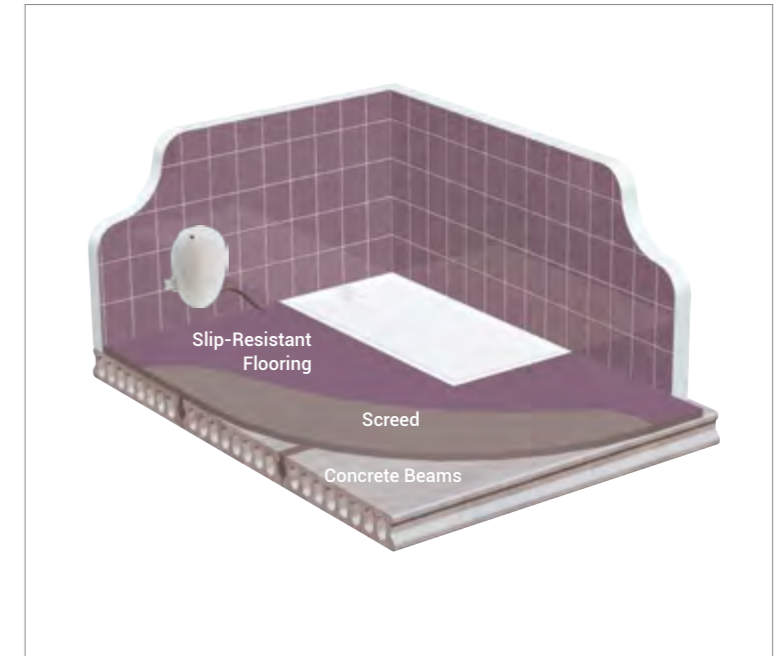
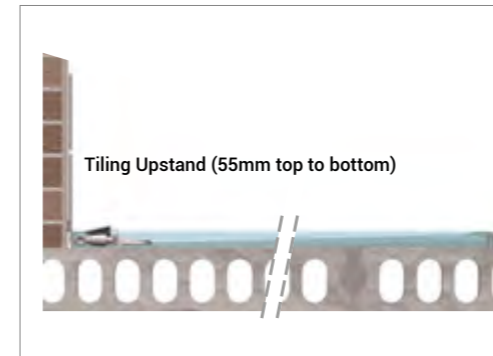
Braddan Shower Tray: Concrete Floor Installation

Braddan installed on concrete floor. Features the AKW Standard 50mm Pumped Waste, alternatively, the factory-fitted AKW Upward Discharge Waste can be specified. Ramp available (40mm).



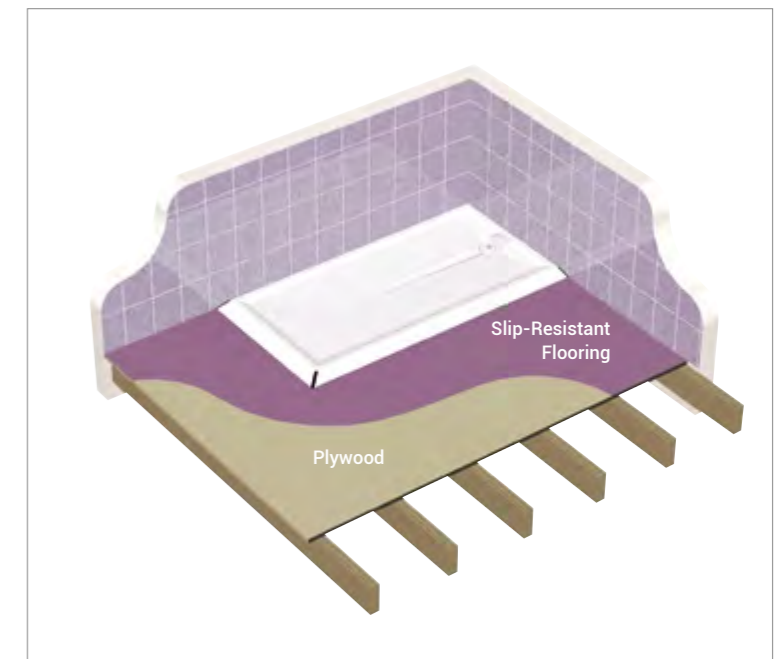
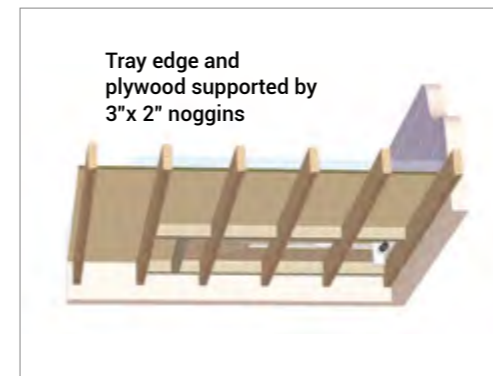
Braddan Shower Tray: Screeded Floor Installation

Braddan installed in a screed on concrete beams or solid concrete using an AKW M11 DigiPump with a factory fitted AKW Upward discharge waste.



Braddan Shower Tray: Wooden Floor Installation

Braddan inset onto joists in a wooden floor, featuring the AKW 20mm Ramp Kit and the AKW Standard 50mm Gravity Waste.





Sulby

Designed for easy installation onto unbreachable floors, the Sulby can go where others can't.

- + Low entry, step-in tray for a defined showering area
- + Achieves gravity drainage on unbreachable floors
- + Excellent drainage (35mm fall inside the tray)
- + Many flexible features make for simple fitting – no excavation needed

Sulby Shower Tray

Features & Benefits

- + Low entry, step-in tray for a defined showering area particularly useful for those with visual impairment
- + Pipework can be concealed within the height of the tray, so it is easier to install and improves the aesthetics of the bathroom
- + Patented, built-in, above floor gravity waste with 8 possible outlet points
- + Slip resistance textured surface for added safety
- + The Sulby tray has an adjustable water trap of 31mm or 38mm
- + Excellent drainage achieved with 35mm fall inside the tray
- + Non handed shower tray can be specified for both left or right-handed installations
- + Trim-to-length kit supplied with Sulby 1800mm trays
- + Tiling upstands supplied for corner or alcove installations
- + No under-tray foaming required
- + Choice of corner, side and end ramps for easy access



For guide to icons, see page 17



Specifications

Tray height: Sulby 90mm, Sulby 2 110mm

Material composition: GRP (Glass-Reinforced Plastic) fibreglass hand lay-up

Weight limit: 30 stone / 190kg

Fall to Waste: 35mm

Gravity Waste: Built in filter, 124mm deep below mounting surface, 50mm water trap depth (seal)

50mm threaded waste fitting, Limited to 7 litres per minute

Screen Compatibility: Opulence, Level Best, Silverdale® and Standard Screens

Size Options & Product Codes:

Tray size	Tray with Built in Gravity Waste
820 x 820mm (90mm high)	17232
900 x 900mm (90mm high)	17231
1000 x 1000mm (90mm high)	17055
1200 x 700mm (90mm high)	17000
1200 x 760mm (90mm high)	17006
1200 x 820mm (90mm high)	17029
1300 x 700mm (90mm high)	17007
1300 x 700mm (110mm high)	17202
1300 x 820mm (90mm high)	17034
1420 x 700mm (90mm high)	17016
1420 x 700mm (110mm high)	17201
1420 x 820mm (90mm high)	17042
1800 x 700mm (90mm high)	17023
1800 x 820mm (90mm high)	17049

Shower Screen Compatibility

Tray size	Compatible Screens
820 x 820 (90mm high)	E E GA
900 x 900mm (90mm high)	E H HF M SE SM E HF M GA LAR OP
1000 x 1000mm (90mm high)	BF C E H HF M N SE SM E HF M GA LAR OP
1200 x 700mm (90mm high)	A B C D E K M N X SE SJ SM SN SU SX SY A E M N GA LAR OP
1200 x 760mm (90mm high)	A B C D E K M N SE SJ SM SN SU SX M N GA LAR
1200 x 820mm (90mm high)	B C E E5 M N SE SJ SM SN SU SX SY E M N GA LAR
1300 x 700mm (90 & 110mm high)	A B C D E J M N Q U X Y SE SJ SM SN SU SX SY A E M N GA LAR OP
1300 x 820mm (90mm high)	C E J M N U Y SE SJ SM SN SU SX SY E M N GA LAR OP
1420 x 700mm (90 & 110mm high)	B J K N Q U X Y SE SJ SM SN SU SX SY B N X Y GA
1420 x 820mm (90mm high)	B J K N U X Y SE SJ SM SN SU SX SY N GA
1800 x 700mm (90mm high)	N P TT XF YF Z SJ SN SU SX TT XF GA LAR OP
1800 x 820mm (90mm high)	N P TT YF Z SJ SN SU SX TT XF GA LAR OP

- Standard Screens
- Sliding Screens
- Larenco Glass Screens
- Level Best Glass Screens
- Silverdale Shower Screens
- Opulence Glass Screens

Tray Dimensions

- + All trays are not handed and can fit either to the left or right
- + Distance from tray edge to waste is 143mm on all tray sizes

i For more information please see specification on-line at orders.akw-ltd.co.uk

Sulby 2

A low entry, step-in shower tray, designed for easy installation onto unbreachable floors, 110mm high for use with 90mm gravity or pumped wastes.

Features & Benefits

- + Low entry, step-in tray for a defined showering area particularly useful for those with visual impairment
- + Easy access for all
- + Pipework can be concealed within the height of the tray, so it is easier to install and improves the aesthetics of the bathroom
- + Slip resistance textured surface for added safety
- + Waste concealed within the height of the tray, therefore, there is no need to breach the floor
- + Compatible with dry wastes
- + Can be fitted with PW90 waste for pumped solution
- + Quick and easy installation
- + No need to excavate the floor
- + Ensures a watertight fixing to the wall
- + Can be installed on timber and concrete floors

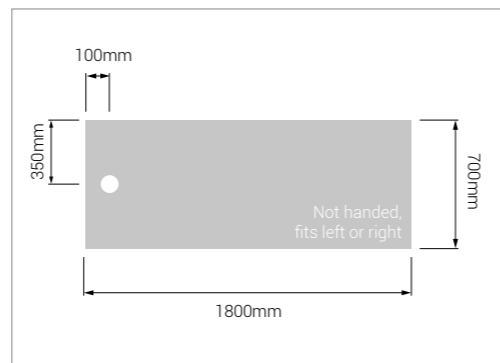


For guide to icons, see page 17



Tray Dimensions

- + All trays are non-handed and can fit either to the left or right
- + Distance from tray edge to centre of the waste is 100mm on all tray sizes.



i For more information please see specification on-line at orders.akw-ltd.co.uk

Size Options & Product Codes:

Tray size	Tray only
800 x 800mm (110mm high)	17242
1000 x 700mm (110mm high)	17243
1000 x 1000mm (110mm high)	17248
1200 x 700mm (110mm high)	17244
1200 x 800mm (110mm high)	17249
1200 x 900mm (110mm high)	17240
1300 x 700mm (110mm high)	17245
1300 x 800mm (110mm high)	17250
1400 x 800mm (110mm high)	17251
1420 x 700mm (110mm high)	17241
1500 x 700mm (110mm high)	17246
1700 x 700mm (110mm high)	17247
1800 x 700mm (110mm high)	17252
1800 x 800mm (110mm high)	17253

Shower Screen Compatibility

Tray size	Compatible Screens
800 x 800 (110mm high)	E H HF M E HF M GA LAR OP
1000 x 700mm (110mm high)	A C E E5 H HF M N SM A E M GA LAR
1000 x 1000mm (110mm high)	BF C E H HF M N SE SM E HF M GA LAR OP
1200 x 700mm (110mm high)	A B C D E K M N X SE SJ SM SN SU SX SY A E M N GA LAR OP
1200 x 800mm (110mm high)	E E5 M N SE SJ SM SN SU SX E M N GA LAR OP
1200 x 900mm (110mm high)	E E5 M N SJ SM SN SU SX E M N GA LAR OP
1300 x 700mm (110mm high)	A B C D E J M N Q U X Y SE SJ SM SN SU SX SY A E M N GA LAR OP
1300 x 800mm (110mm high)	E J M N U X SE SJ SM SN SU SX M N GA LAR OP
1400 x 800mm (110mm high)	N GA LAR OP
1420 x 700mm (110mm high)	B J K N Q U X Y SE SJ SM SN SU SX SY B N X Y GA
1500 x 700mm (110mm high)	B N TT X Z SE SJ SM SN SU SX SY N TT GA LAR OP
1700 x 700mm (110mm high)	B J K N TT Y Z SJ SN SU SX N TT Y GA LAR OP
1800 x 700mm (110mm high)	N P TT XF YF Z SJ SN SU SX TT XF GA LAR OP
1800 x 800mm (110mm high)	N P TT Z SJ SN SU SX TT GA LAR OP

- Standard Screens
- Sliding Screens
- Larenco Glass Screens
- Level Best Glass Screens
- Silverdale Shower Screens
- Opulence Glass Screens

Sulby: Factory-Fitted Waste Installation



ABS cover lifts off to expose waste



Trap and strainer can be removed to give clear access for rodding



A stop end is supplied for fitting to the unused waste outlet

Product Codes

Spare part: Sulby waste cover and Strainer **07159**

Sulby 2: Waste Options



PW90 Pumped Waste

15mm: 25105

22mm: 25406

For details see [page 134](#)



Low Depth GW90

25404

For details see [page 120](#)



DW90 Low Depth Dry Shower Waste

25492-UK

For details see [page 129](#)



GW90 Metal Topped 90mm Diameter Waste

25434

For details see [page 126](#)

Sulby: Ramp Options

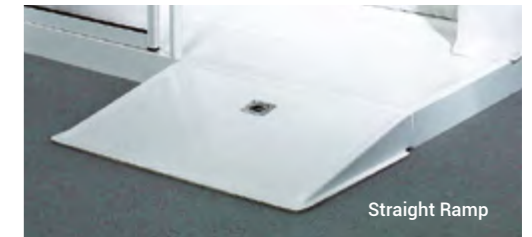
Sulby ramps are designed to be removed when not in use, so they are not fixed in position.

Features & Benefits

- + Straight and corner ramps, or a step is available
- + Ramp designed to suit 90mm high Sulby shower trays only
- + Step can be used with 90mm or 110mm high Sulby shower trays

Product Codes

Straight Sulby Ramp: 770(w) x 480(d) x 90(h)mm	25009
Corner Sulby Ramp: 770(w) x 630(d) x 90(h)mm	25008
Sulby Step: 700(w) x 300(d) x 45(h)mm	25007



Straight Ramp



Corner Ramp



Step

Please note: Gradient for ramps is 1:6. Dimensions are outside dimensions.

Sulby: Concrete Floor Installation

All AKW Sulby trays have a built-in 31mm gravity waste, set above floor level.

Tray fitted with waste on left

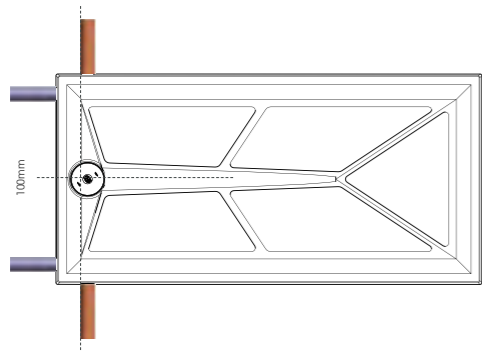


Tray fitted with waste on right

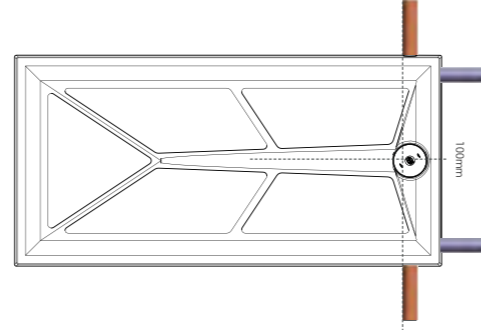


Sulby 2: Concrete Floor Installation

Tray fitted with waste on left



Tray fitted with waste on right



Swift

A Swift level access shower tray is set flush into the bathroom floor when fitted and has no height difference between the tray edge and the bathroom floor when installed, offering an unrestricted walk in shower solution for people with restricted mobility or wheelchair users who require a bathroom adaptation with no steps or ramps to negotiate.

Exclusively incorporating TRUESEAL2 floor edge profile which allows vinyl safety flooring to be hot seam welded directly to the Swift shower tray, creating a perfect watertight joint.

- + Provides a practical, corner entry level access shower for users with mobility difficulties who require a walk in shower or wheelchair accessible shower
- + Installation friendly, no need for intricate corner seam welds
- + Hot seam weld the vinyl safety flooring directly onto the tray's unique TRUESEAL2 floor edge profile, creating a perfect watertight joint
- + Shower tray, half height shower doors and a shower seat or grab rail can be installed during one site visit, leaving the flooring to be fitted afterwards
- + Can be used with floor tiles by omitting TRUESEAL2
- + Lifetime warranty

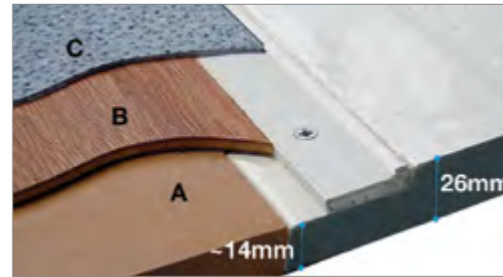


SWIFT Shower Tray

Level access shower tray range using TRUESEAL2 floor edge profile.

Features & Benefits

- + Provides a practical, corner entry showering solution for users with mobility difficulties or requiring wheelchair access
- + Anti-slip surface for an assured underfoot grip
- + Installation friendly, no need for intricate corner seam welds
- + Hot seam weld the vinyl sheet flooring directly onto the tray's unique TRUESEAL2 floor edge profile, creating a perfect watertight joint
- + Only requires the removal of ~14mm of flooring, the equivalent of a floorboard, (apart from the trap area where additional space is required)
- + Locate in wooden or solid floor settings, minimal need for additional support under the tray required
- + Shower tray, enclosure & ancillary equipment can be installed during one site visit, leaving the flooring to be fitted afterwards
- + 14mm tiling lip is watertight & will accommodate wallboards or wall tiles
- + Can be used with floor tiles by omitting TRUESEAL2, please use the no TRUESEAL2 code when ordering
- + Lifetime warranty
- + Handed & non-handed tray options available



A - Floorboard or concrete flooring
B - 1/4" plywood C - 2mm vinyl sheet flooring



For guide to icons, see page 17



Specifications

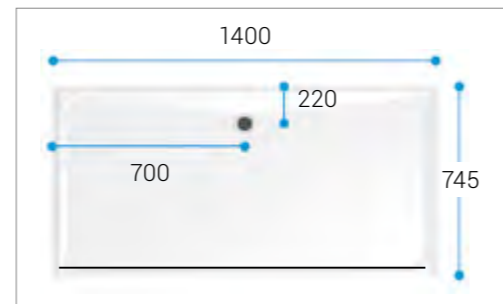
Tray height: Level access

Material composition: GRP

Weight limit: 42 stone / 270kg

Tray Dimensions

- + Square trays are non-handed
- + Rectangular trays are handed left or right
- + Distance from tray edge to centre of waste is as follows:
 - + All square trays are 300mm
 - + 1290mm trays are 645mm
 - + 1295mm trays are 650mm
 - + 1345mm trays are 650mm
 - + 1400mm trays are 700mm



i For more information please see specification on-line at orders.akw-ltd.co.uk

Size Options & Product Codes:

Tray size	Tray only	Tray only, no TRUESEAL2
795 x 795mm	SWIF795NW	SWIF795NTNW
945 x 945mm	SWIF945NW	SWIF945NTNW
1045 x 1045mm	SWIF1045NW	SWIF1045NTNW
1095 x 795mm LH	SWIF1095LHNW	SWIF1095LHNTNW
1095 x 795mm RH	SWIF1095RHNW	SWIF1095RHNTNW
1245 x 1245mm	SWIF1245NW	SWIF1245NTNW
1295 x 745mm LH	SWIF1295LHNW	SWIF1295LHNTNW
1295 x 745mm RH	SWIF1295RHNW	SWIF1295RHNTNW
1345 x 845mm LH	SWIF1345LHNW	SWIF1345LHNTNW
1345 x 845mm RH	SWIF1345RHNW	SWIF1345RHNTNW
1345 x 945mm LH	SWIF1345x945LHNW	SWIF1345x945LHNTNW
1345 x 945mm RH	SWIF1345x945RHNW	SWIF1345x945RHNTNW
1400 x 745mm	SWIF1400LHNW	SWIF1400LHNTNW

Shower Screen Compatibility

Tray size	Compatible Screens
795 x 795mm	E* H HF HF
945 x 945mm	E* H HF HF
1045 x 1045mm	H HF HF
1095 x 795mm	E* E5* H HF HF
1245 x 1245mm	H HF HF
1295 x 745mm	E* H HF HF
1345 x 845mm	H HF HF
1345 x 945mm	H HF HF
1400 x 745mm	H HF HF

* E and E5 options are specially designed for the Swift

- Standard Screens
- Sliding Screens
- Larenco Glass Screens
- Level Best Glass Screens
- Silverdale Shower Screens
- Opulence Glass Screens

Swift Waste Options



GW19 19mm Gravity Waste

25125

For details see page 118



PW50 Standard Pumped Waste

15mm: 25122

22mm: 25405

For details see page 133



GW50 Gravity Waste

25126

For details see page 118

Eagle TWO

Eagle TWO level access, bath replacement shower trays can be cut to length to fit a space once occupied by a bath. Set flush into the bathroom floor when fitted and with no height difference between the tray edge and the bathroom floor, Eagle TWO shower trays provides an unrestricted walk in shower solution for people with restricted mobility or wheelchair users who require a bathroom adaptation with no steps or ramps for the user to negotiate.

Exclusively incorporating TRUESEAL2 floor edge profile which allows vinyl safety flooring to be hot seam welded directly to the Swift shower tray, creating a perfect watertight joint.

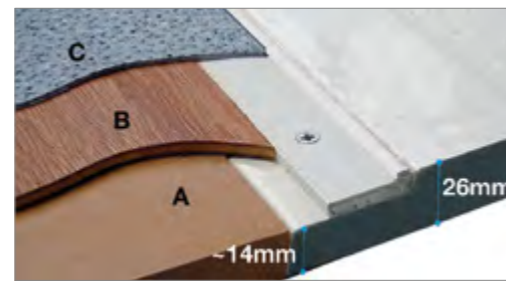
- + Perfect showering solution where a bathtub is no longer practical for users with mobility difficulties or requiring wheelchair access
- + Can be cut to length to fit exactly where a bathtub once was
- + Hot seam weld vinyl safety flooring directly onto the tray's unique TRUESEAL2 floor edge profile, creating a perfect watertight joint
- + Shower tray, half height shower doors and a shower seat or grab rail can be installed during one site visit, leaving the flooring to be fitted afterwards
- + Can be used with floor tiles by omitting TRUESEAL2
- + Lifetime warranty



Eagle TWO Shower Tray

Bath replacement, cut to length, level access shower tray range using TRUESEAL2.

- + A showering solution where a bathtub is no longer practical for users with mobility difficulties or requiring wheelchair access
- + Anti-slip surface for an assured underfoot grip
- + Hot seam weld the vinyl sheet flooring directly onto the trays unique TRUESEAL2 floor edge profile, creating a perfectly secure watertight join
- + Requires the removal of ~14mm of flooring, the equivalent of a floorboard, (apart from the trap area where additional space is required)
- + Shower tray, enclosure & any ancillary equipment can be installed during one site visit, leaving the flooring to be fitted afterwards
- + 14mm tiling lip is watertight & will accommodate wallboards or wall tiles
- + With three tiling lips & a central waste position. Either end of the tray can be cut to determine the trays hand for easier installation
- + Cut to length from original length of 1850mm to fit exactly into the space left by a bath. End plate supplied to conceal the cut end when installed between three walls
- + Can be used with floor tiles by omitting TRUESEAL2, please use the no TRUESEAL2 code when ordering
- + Lifetime warranty
- + Trays not handed



A - Floorboard or concrete flooring
B - ¼" plywood C - 2mm vinyl sheet flooring



For guide to icons, see [page 17](#)



Specifications

Tray height: Level access

Material composition: GRP

Weight limit: 42 stone / 270kg

Cut length minimum size: 1500mm

Waste dimension: 90mm

Size Options & Product Codes:

Tray size	Tray only code	Tray only, no TRUESEAL2
1850 x 745mm	ET745NW	ET745NTNW
1850 x 845mm	ET845NW	ET845NTNW

Shower Screen Compatibility

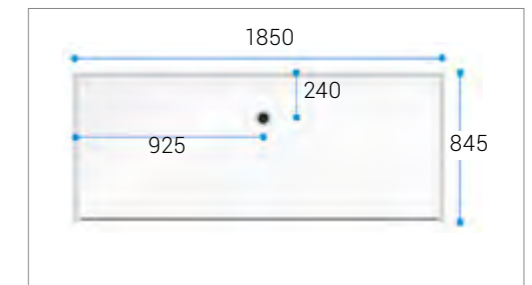
Tray size	Compatible Screens
1850 X 745mm	<input type="checkbox"/> H <input type="checkbox"/> HF <input type="checkbox"/> N* <input type="checkbox"/> P* <input type="checkbox"/> TT* <input type="checkbox"/> Z* <input type="checkbox"/> HF <input type="checkbox"/> GA
1850 X 845mm	<input type="checkbox"/> H <input type="checkbox"/> HF <input type="checkbox"/> N* <input type="checkbox"/> P* <input type="checkbox"/> TT* <input type="checkbox"/> Z* <input type="checkbox"/> HF <input type="checkbox"/> GA

* N / P / TT / Z – These screen options will require extra wide compensators to achieve tray size

- Standard Screens
- Sliding Screens
- Level Best Glass Screens
- Silverdale Shower Screens

Tray Dimensions

- + All trays are not handed and can fit either to the left or right
- + Distance from tray edge to the centre of the waste can be seen on the diagram



i For more information please see specification on-line at orders.akw-ltd.co.uk

Eagle TWO Waste Options



GW90 90mm Diameter Gravity Waste

25120

For details see [page 119](#)



Low Depth GW90

25404

For details see [page 120](#)



DW90 Low Depth Dry Shower Waste

25492-UK

For details see [page 129](#)



GW90 Metal Topped 90mm Diameter Waste

25434

For details see [page 126](#)

Low Profile

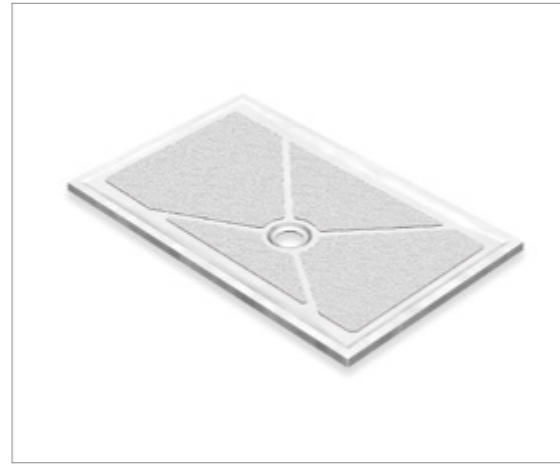
Suited to wooden floors and one of the easiest trays to install, Low Profile can be fitted for either level or low-level access.

- + At just 32mm high, this tray is ideal for where level or low-level access is needed
- + Offset waste position to avoid joints
- + Excellent water drainage with 25mm fall
- + Reinforced with steel sections for extra strength
- + Slip-resistant surface for added safety

Low Profile Shower Tray

Features & Benefits

- + At just 32mm high, the Low Profile tray is ideal for where level or low-access is needed
- + Shower tray creates a visually defined showering area particularly useful for those with visual impairment
- + Slip-resistant textured surface for added safety
- + Reinforced with steel sections for extra strength, therefore no under tray foaming is required
- + Excellent water drainage with a 25mm fall inside the tray
- + Non-handed shower tray can be specified for both left or right-handed installations
- + Easy installation, thanks to offset waste position to avoid joists
- + 1800mm trays supplied with a trim to length kit
- + Three separate tiling upstands supplied



For guide to icons, see [page 17](#)



Please note: Not recommended for use with pumped wastes

Specifications

Tray height: 32mm
Material composition: GRP (Glass-Reinforced Plastic) fibreglass hand lay-up
Weight limit: 30 stone / 190kg
Fall to Waste: 25mm
Screen Compatibility: Larenco, Opulence Level Best, Silverdale® and Standard Screens

Size Options & Product Codes:

Tray size	Tray only
900 x 900mm	18063
1000 x 1000mm	18055
1200 x 700mm	18000
1200 x 760mm	18006
1200 x 820mm	18029
1300 x 700mm	18007
1300 x 820mm	18034
1420 x 700mm	18016
1420 x 820mm	18042
1500 x 700mm	18062
1800 x 700mm	18023
1800 x 820mm	18049

Shower Screen Compatibility

Tray size	Compatible Screens
900 x 900mm	E H HF M SE SM E HF M GA LAR OP
1000 x 1000mm	BF C E H HF M N SE SM E HF M GA LAR OP
1200 x 700mm	A B C D E K M N X SE SJ SM SN SU SX SY A E M N GA LAR OP
1200 x 760mm	A B C D E K M N SE SJ SM SN SU SX M N GA LAR
1200 x 820mm	B C E E5 M N SE SJ SM SN SU SX SY E M N GA LAR
1300 x 700mm	A B C D E J M N Q U X Y SE SJ SM SN SU SX SY A E M N GA LAR OP
1300 x 820mm	C E J M N U Y SE SJ SM SN SU SX SY E M N GA LAR OP
1420 x 700mm	B J K N Q U X Y SE SJ SM SN SU SX SY B N X Y GA
1420 x 820mm	B J K N U X Y SE SJ SM SN SU SX SY N GA
1500 x 700mm	B N TT X Z SE SJ SM SN SU SX SY N TT GA LAR OP
1800 x 700mm	N P TT XF YF Z SJ SN SU SX TT XF GA LAR OP
1800 x 820mm	N P TT YF Z SJ SN SU SX TT XF GA LAR OP

- Standard Screens
- Sliding Screens
- Larenco Glass Screens
- Level Best Glass Screens
- Silverdale Shower Screens
- Opulence Glass Screens

Tray Dimensions

- + All trays are non-handed and can fit either to the left or right
- + Distance from tray edge to centre of the waste varies on each tray,

i For more information please see specification on-line at orders.akw-ltd.co.uk

Low Profile: Waste Options



GW90 90mm Diameter Gravity Waste

25120

For details see [page 119](#)



Low Depth GW90

25404

For details see [page 120](#)



DW90 Low Depth Dry Shower Waste

25492-UK

For details see [page 129](#)



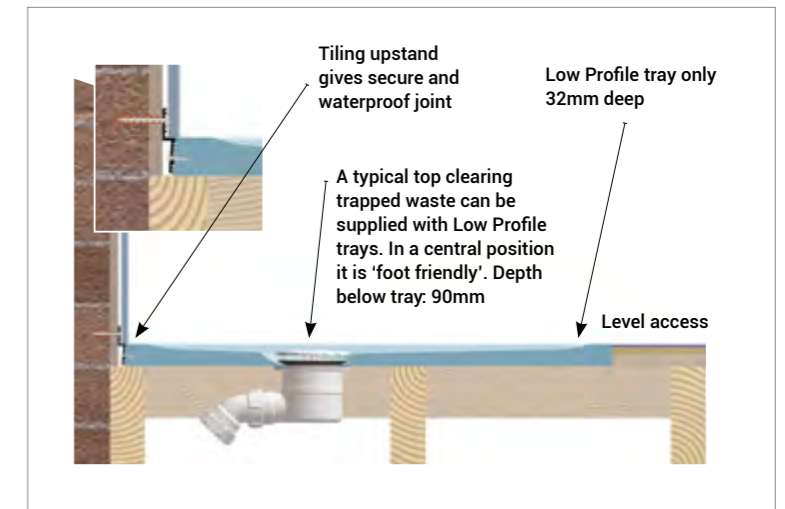
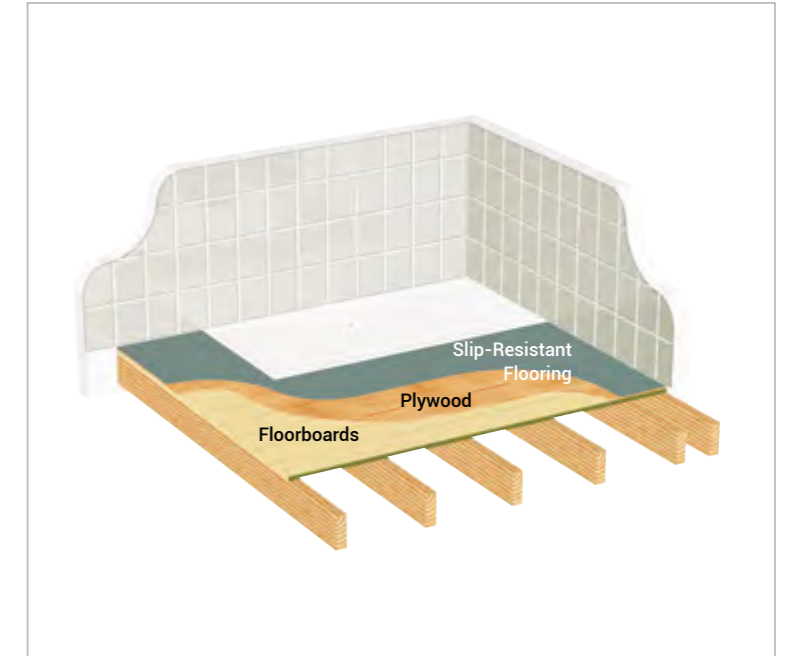
GW90 Metal Topped 90mm Diameter Waste

25434

For details see [page 126](#)

Low Profile Shower Tray: Wooden Floor Installation

Low Profile trays installed for complete level access in a wooden floor. Non-handed with offset waste position the tray can be rotated 180° to miss the joists on two planes.



Please Note: Trays are shown in colour for illustrative purposes only. Low profile trays are not designed for use with pumped wastes.



Onyx Exclusif

Contemporary, lightweight SMC shower tray, designed in-house by AKW, reflecting the latest trends in industrial design.

- + Available in white and black to create a bespoke, stylish environment
- + Contemporary slate finish helps with drainage and slip resistance
- + Easy installation with this lightweight tray (less than 25kg)
- + Made from SMC (Sheet Moulding Compound), making them exceptionally strong
- + Can be recessed or surface mounted

Onyx Exclusif Shower Tray

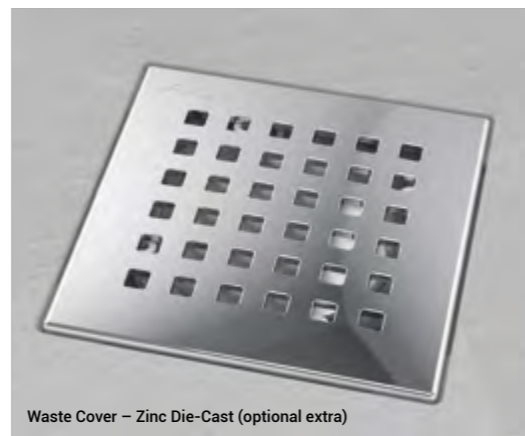
With its contemporary aesthetic, the Onyx Exclusif Shower Tray provides a stylish yet strong showering solution, with a maximum capacity of 31.5 stone / 200kg and a variety of sizes available to accommodate wheelchair users and carers.

Features & Benefits

- + 26mm shallow depth tray can be installed above the floor for low-level access or recessed into it to enable level-access showering
- + Manufactured from SMC (Sheet-Moulding Compound) for strength and durability
- + Contemporary textured finish offers a reliably high level of slip resistance for reassurance when getting in/out of the shower
- + Rigid, webbed structure on the underside of the tray reinforces strength and provides excellent shock and impact resistance
- + Lightweight materials ensure quick and easy installation
- + Can support up to 31.5st (200kg), suitable for wheelchair users or those with carers
- + Available in a choice of white and black to suit customer preference
- + Compatible with Larenco, Opulence, Level Best, Silverdale and Standard carer screens

Specifications

- Made from GRP (Glass Reinforced Plastic) using the SMC process
- Weight limit: 31.5st / 200kg
- Lightweight, under 25kg
- Trays offered in white (18 sizes) or black (13 sizes)
- Matching waste cover included
- Optional waste cover available
- Concealed waste positioned at one end
- Can be trimmed to within 150mm of waste
- Shallow depth waste available (54mm under the tray)
- High water flow rate (up to 30 lpm)
- Also designed for use with the DW90 dry waste or the PW90 pumped waste



For guide to icons, see [page 17](#)



Size Options & Product Codes:

Onyx Exclusif		
Tray Size	White Tray Only	Black Tray Only
800 x 800mm	12820WH	12820BK
900 x 900mm	12821WH	12821BK
1000 x 700mm	12822WH	-
1000 x 800mm	12823WH	12823BK
1200 x 700mm	12824WH	-
1200 x 800mm	12825WH	12825BK
1200 x 900mm	12826WH	12826BK
1400 x 700mm	12827WH	-
1400 x 800mm	12828WH	12828BK
1400 x 900mm	12829WH	12829BK
1600 x 700mm	12830WH	-
1600 x 800mm	12831WH	12831BK
1600 x 900mm	12832WH	12832BK
1700 x 700mm	12833WH	-
1700 x 800mm	12834WH	12834BK
1700 x 900mm	12835WH	12835BK
1800 x 800mm	12836WH	12836BK
1800 x 900mm	12837WH	12837BK
2000 x 1000mm	12838WH	-

Optional extra:

Onyx Exclusif Waste Cover – White	21-016-205
Onyx Exclusif Waste Cover – Black	21-016-206
Onyx Exclusif Waste Cover – Chrome Plated Zinc Die-cast	21-016-207

Shower Screen Compatibility

Tray size	Compatible Screens
800 x 800mm	E H HF M E HF M GA LAR OP
900 x 900mm	E H HF M SE SM E HF M GA LAR OP
1000 x 700mm	A C E ES H HF M N SM A E M GA LAR
1000 x 800mm	E H HF M N SM M GA LAR OP
1200 x 700mm	A B C D E K M N X SE SJ SM SN SU SX SY A E M N GA LAR OP
1200 x 800mm	E ES N M SE SJ SM SN SU SX E M N GA LAR OP
1200 x 900mm	E ES N M SJ SM SN SU SX E M N GA LAR OP
1400 x 700mm	N GA LAR OP
1400 x 800mm	N GA LAR OP
1400 x 900mm	E5 N X GA LAR OP
1600 x 700mm	N TT Z TT GA LAR OP
1600 x 800mm	N TT Z TT GA LAR OP
1600 x 900mm	N TT Z TT GA LAR OP
1700 x 700mm	B J K N TT Y Z N TT Y SJ SN SU SX GA LAR OP
1700 x 800mm	J N TT Z N TT SJ SN SU SX GA LAR OP
1700 x 900mm	J N TT Z N TT SJ SN SU SX GA LAR OP
1800 x 800mm	N P TT Z TT SJ SN SU SX GA LAR OP
1800 x 900mm	N P TT Z TT SJ SN SU SX GA LAR OP
2000 x 1000mm	N P TT Z TT SJ SN SU SX GA LAR OP

- Standard Screens
- Sliding Screens
- Larenco Glass Screens
- Level Best Glass Screens
- Silverdale Shower Screens
- Opulence Glass Screens

Onyx Waste Options



GW90 Onyx Waste

25694

For details see [page 119](#)



DW90 Waste for Onyx Tray

25696-UK

For details see [page 139](#)



PW90 22mm Pumped Waste

25495

For details see [page 134](#)

Waste must be ordered with the Onyx Tray

Onyx Leg Kits

Onyx Tray Leg Kit Product Codes:

Dimensions	Code (without skirt)	White	Black
800 x 800	11895	11895WH	11895BK
900 x 900	11896	11896WH	11896BK
1000 x 700	11897	11897WH	11897BK
1000 x 800	11898	11898WH	11898BK
1200 x 700	11899	11899WH	11899BK
1200 x 800	11990	11990WH	11990BK
1200 x 900	11991	11991WH	11991BK
1400 x 700	11986	11986WH	11986BK
1400 x 800	11992	11992WH	11992BK
1400 x 900	11993	11993WH	11993BK
1600 x 700	11984	11984WH	–
1600 x 800	11994	11994WH	11994BK
1600 x 900	11995	11995WH	11995BK
1700 x 700	11980	11980WH	–
1700 x 800	11996	11996WH	11996BK
1700 x 900	11997	11997WH	11997BK
1800 x 800	11998	11998WH	11998BK
1800 x 900	11999	11999WH	11999BK

Product Codes

Onyx Exclusif Alcove Ramp (1200mm Ramp and 5 Screw Caps)	12844
Onyx Exclusif Ramp Corner (Quadrant Ramp and Screw Cap)	12843
Onyx Tray Leg Kit x 8 Legs	16-017-344
Onyx Tray Leg Kit x 11 Legs	16-017-345



Onyx Exclusif Ramp

Designed to work with Onyx Exclusif trays, this aesthetically pleasing white SMC ramp allows wheelchair users or users with limited mobility easily navigate the low 26mm threshold of the Onyx Exclusif tray.

Features & Benefits

- + Suitable for wheelchair use, tested to 200kg / 31st weight limit
- + Manufactured from SMC for strength and longevity
- + Can be trimmed on-site to suit requirements
- + Slip-resistant slate surface finish to match Onyx Exclusif tray
- + Lightweight material
- + Lifetime warranty for peace of mind
- + Easy installation and can be installed retrospectively
- + Finish consistent with the Onyx Exclusif tray
- + Corner and alcove option available
- + Hidden fixings improve aesthetics, with colour matched screw caps

Specifications

Tray height: 26mm

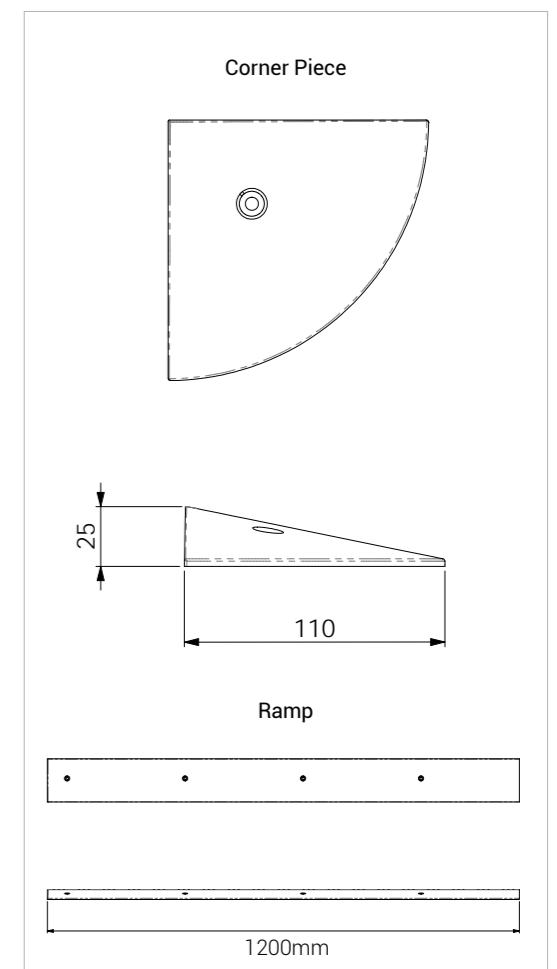
Material composition: SMC (Sheet Moulding Compound)

Screen Compatibility: Larenco, Level Best, Silverdale® and Standard Screens

RAL Colours: white (RAL9003)

Product Codes

Onyx Exclusif Alcove Ramp (1200mm Ramp and 5 Screw Caps)	12844
Onyx Exclusif Ramp Corner (Quadrant Ramp and Screw Cap)	12843



Onyx Linea Shower Tray

With its art deco inspired Linea waste, the Onyx Linea shower tray offers superior strength with a maximum capacity of 39st (247kg), and contemporary styling with a luxurious slip-resistant, stone-effect finish.

Features & Benefits

- + One of our shallowest trays at 26mm Onyx Linea can be installed above the floor or recessed to enable level-access showering
- + Manufactured from SMC (Sheet-Moulding Compound) for strength and durability
- + Lightweight, under 25kg
- + Contemporary stone finish offers a reliably high level of slip resistance for reassurance when getting in/out of the shower
- + Rigid, webbed structure on the underside of the tray reinforces strength and provides excellent shock and impact resistance
- + Lightweight materials ensure quick and easy installation
- + Can support up to 39st (247kg), suitable for wheelchair users or those with carers
- + Compatible with Larenco, Opulence, Level Best, Silverdale and Standard carer screens
- + Available in 16 sizes to suit your install requirements

Specifications

Tray height: 26mm
Material composition: SMC (Sheet Moulding Compound)
Weight limit: 39 stone / 200kg
Fall to Waste: 16mm
Screen Compatibility: Larenco, Level Best, Silverdale® and Standard Screens
RAL Colours: white (RAL9003)



For guide to icons, see [page 17](#)



Size Options & Product Codes:

Tray size	Tray only
1000 x 700mm	23980WH
1000 x 800mm	23982WH
1200 x 700mm	23981WH
1200 x 800mm	23983WH
1200 x 900mm	23984WH
1400 x 700mm	23985WH
1400 x 800mm	23987WH
1400 x 900mm	23989WH
1600 x 700mm	23986WH
1600 x 800mm	23988WH
1600 x 900mm	23990WH
1700 x 700mm	23991WH
1700 x 800mm	23992WH
1700 x 900mm	23994WH
1800 x 800mm	23993WH
1800 x 900mm	23995WH

Spare parts	Tray only
Onyx Linea SS Waste Cover 550mm	20-012-005
Onyx Linea SS Waste Cover 650mm	20-012-006
Onyx Linea SS Waste Cover 750mm	20-012-007

Shower Screen Compatibility

Tray size	Compatible Screens
1000 x 700mm	A C E ES H HF M N SM A E M GA LAR
1000 x 800mm	E H HF M N SM M GA LAR OP
1200 x 700mm	A B C D E K M N X SE SJ SM SN SU SX SY A E M N GA LAR OP
1200 x 800mm	E ES M N SE SJ SM SN SU SX E M N GA LAR OP
1200 x 900mm	E ES M N SJ SM SN SU SX E M N GA LAR OP
1400 x 700mm	N GA LAR OP
1400 x 800mm	N GA LAR OP
1400 x 900mm	ES N X GA LAR OP
1600 x 700mm	N TT Z TT GA LAR OP
1600 x 800mm	N TT Z TT GA LAR OP
1600 x 900mm	N TT Z TT GA LAR OP
1700 x 700mm	B J K N TT Y Z SJ SN SU SX N TT Y GA LAR OP
1700 x 800mm	J N TT Z SJ SN SU SX N TT GA LAR OP
1700 x 900mm	J N TT Z SJ SN SU SX N TT GA LAR OP
1800 x 800mm	N P TT Z SJ SN SU SX TT GA LAR OP
1800 x 900mm	N P TT Z SJ SN SU SX TT GA LAR OP

- Standard Screens
- Sliding Screens
- Larenco Glass Screens
- Level Best Glass Screens
- Silverdale Shower Screens
- Opulence Glass Screens

For Onyx waste options see [page 100](#)



Mullen®

Using patented integrated edging and built-in features, Mullen® is quick and easy to fit.

- + Defined level-access showering area which enhances independence for users with visual impairment
- + Exceptionally watertight seals thanks to pioneering Intergrip® strip
- + Pre-formed fixing holes ensure quick and easy installation
- + Supreme strength, weight limit of 30 stone / 190kg

Mullen® Shower Tray

Features & Benefits

- + Level access (with only a 27mm floor recess needed) or surface mounted installation
- + Exceptionally watertight seals, thanks to a pioneering Intergrip® clamping strip, for safety flooring in a level access installation
- + Shower tray creates a visually defined showering area particularly useful for those with visual impairment
- + Slip resistance textured surface for added safety
- + Unrivalled strength and stability, using compressed GRP therefore no under-tray foaming is required
- + A corner waste position helps avoid joists
- + Excellent water drainage with a 25mm fall inside the tray
- + Pre-formed fixing holes ensure quick and easy installation
- + Ribbed underside eliminating slippage of float during installation
- + Built in tiling upstands on 2 or 3 sides complete the all-round integrity of the water seals
- + Floor tiling is available
- + Corner and alcove trays are supplied with cut-to-length kits
- + Ramp available for surface-mounted installation



Specifications

Tray height: 27mm
Material composition: SMC (Sheet Moulding Compound)
Weight limit: 30 stone / 190kg
Fall to Waste: 25mm
Screen Compatibility: Larenco, Level Best, Silverdale® and Standard Screens



For guide to icons, see [page 17](#)



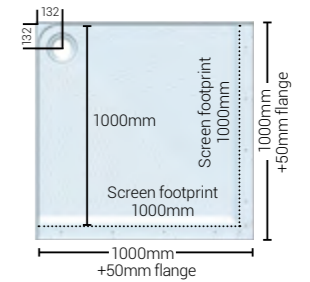
Product Codes

Floor Tiling Kit	26259
Surface Mount Ramp Universal Kit (1800 x 1000mm)	26272
Underfloor Covering Universal Ramp Kit	26273
Clamping Strip Cover Cap (10 Pack)	26269
Clamping Strip Corner Piece	07199

Dimensions, Size Options & Product Codes:

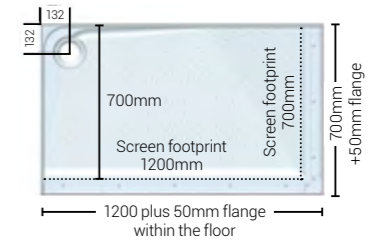
Mullen® Shower Tray – 1000 x 1000mm*

Tray only code: **26100**
Compatible shower screens:



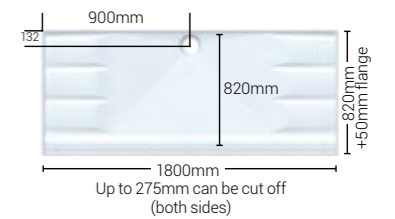
Mullen® Shower Tray – 1200 x 700mm*

Tray only code: **26101L/R**
Compatible shower screens:



Mullen® Cut-to-Length Shower Tray – 1800 x 820mm*

Tray only code: **26192 (Non-handed)**
Compatible shower screens:



Mullen: Waste Options



GW90 90mm Diameter Gravity Waste

25120
For details see [page 119](#)



Low Depth GW90

25404
For details see [page 120](#)



DW90 Low Depth Dry Shower Waste

25492-UK
For details see [page 129](#)



GW90 Metal Topped 90mm Diameter Waste

25434
For details see [page 126](#)



PW90 Pumped Waste

15mm: 25105
22mm: 25406
For details see [page 134](#)



For related products and waste options please visit the **Mullen Tray section** on the AKW orders site via the QR code.



Waste Systems



Wastes & Pumps	111
Compatibility guide	112
Gravity Wastes	118
Dry Wastes	127
Pumped Wastes	130
Contour Wastes	136
Waste Adaptors	142
Digital Waste Pumps	144
Wireless Interface	146
Auxiliary Pump Switch	146
DigiPump Flow Sensor Kit	145
P12 Waste Pump	147
Sanipro Macerator	150

You may also need:



Shower Trays 63	Wet Room Formers 27	Tanking Kits 58	Shower Screens 153
Showers 265	Walls & Safety Flooring 297	Tiles & Accessories 315	Plumbing Fittings 549









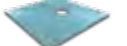




Wastes & Pumps

AKW's extensive range of wastes complement our range of wet room formers and shower trays. The range includes gravity, wet, dry and pumped wastes to cover all installations.

Waste system compatibility:

-  Compatible with Wet Room Formers
-  Compatible with Shower Trays












Former Wastes								
Gravity for Vinyl Floor								
								
Notes		With adaptor			With adaptor	With adaptor		
SKU	25106	25124	25129	25408	25419-UK	25499-UK	25107	25409
 Tuff Form® /Tuff Form8®	✓	✓	✓	✓	✓	✓	✓	✓
 ShowerDec	✓	✓	✓	✓	✗	✗	✓	✗
 Tri Form®	✗	✗	✗	✗	✗	✗	✗	✗

	Ø90mm Gravity						Ø50mm Gravity	
								
Notes	Adaptor 25409	Adaptor 25409	Adaptor 25409	Adaptor 25409			Adaptor 25107, LB00171, or 25433	
SKU	25120	25404	25492-UK	25434	25696-UK	25694	25126	25125
 Tuff Form® /Tuff Form8®	✓ ^A	✓ ^A	✓ ^A	✓ ^A	✗	✗	✓ ^A	✓ ^A
 ShowerDec	✗	✗	✗	✗	✗	✗	✓ ^A	✓ ^A
 Tri Form®	✗	✗	✗	✗	✓	✓	✓	✓

^A Denotes the waste requires an adaptor to be compatible and does not come with one as standard. Required adaptor product code is stated in the relevant column

Ø diameter
 TF Tuff Form
 SS Stainless Steel
 GW Gravity Waste
 DW Dry Waste
 PW Pumped Waste

Former Wastes									
Gravity for Tiled Floor									
									
		With Swirl Adaptor	With Swirl Adaptor	With Drilled Adaptor	With Drilled Adaptor	With TF Tiled Floor Adaptor	With TF Tiled Floor Adaptor	for Ø50mm wastes	for Ø50mm wastes
SKU	LB00101	LB00102	LB00103	21318	21319	25418-UK	25498-UK	LB00171	25433
 Tuff Form® /Tuff Form8®	✓	✓	✓	✓	✓	✓	✓	✓	✓
 ShowerDec	✓	✓	✓	✓	✓	✗	✗	✓	✓
 Tri Form®	✗	✗	✗	✗	✗	✗	✗	✗	✗



	Pumped for Vinyl Floor		Pumped for Tiled Floor	Ø50mm Pumped		Ø90mm Pumped		
								
Notes				Adaptor 25107, LB00171, or 25433		Adaptor 25409	Adaptor 25409	
SKU	25101	25414	LB00104	25122	25405	25105	25406	25695
 Tuff Form® /Tuff Form8®	✓	✓	✓	✓ ^A	✓ ^A	✓ ^A	✓ ^A	✗
 ShowerDec	✓	✓	✓	✓ ^A	✓ ^A	✗	✗	✗
 Tri Form®	✗	✗	✗	✓	✓	✓	✓	✓

Tray Wastes								
	Ø90mm Gravity						Ø50mm Gravity	
	 GW90	 Low Depth GW90	 Low Depth DW	 GW90 Metal Topped	 DW90 Onyx	 GW90 Onyx	 GW50	 GW19
SKU	25120	25404	25492-UK	25434	25696-UK	25694	25126	25125
 Braddan	✗	✗	✗	✗	✗	✗	✓	✓
 EagleTWO	✓	✓	✓	✓	✗	✗	✗	✗
 Low Profile	✓	✓	✓	✓	✗	✗	✗	✗
 Sulby 2	✓	✓	✓	✓	✗	✗	✗	✗
 Swift	✗	✗	✗	✗	✗	✗	✓	✓
 Onyx / Onyx Exclusif / Onyx Linea	✗	✗	✗	✗	✓	✓	✗	✗

Tray Wastes							
Pumped for Vinyl Floor		Pumped for Tiled Floor	Ø50mm Pumped		Ø90mm Pumped		
 PGTF (15mm)	 Silentflow+ (22mm)	 SS-PGTF (22mm)	 PW50 (15mm)	 PW50 (22mm)	 PW90 (15mm)	 PW90 (22mm)	 PW90 Onyx (22mm)
25101	25414	LB00104	25122	25405	25105	25406	25695
✗	✗	✗	✓	✓	✗	✗	✗
✗	✗	✗	✗	✗	✓	✓	✗
✗	✗	✗	✗	✗	✓	✗	✗
✗	✗	✗	✗	✗	✓	✓	✗
✗	✗	✗	✓	✓	✗	✗	✗
✗	✗	✗	✗	✗	✗	✗	✓

Ø diameter SS Stainless Steel DW Dry Waste
 TF Tuff Form GW Gravity Waste PW Pumped Waste

Contour Wastes			
	Gravity		
			
SKU	08CTW01	McAlpine Standard 08GT52NSC Round Chrome Top 08GT52-R Square Chrome Top 08GT52-S	Horizontal Outlet 08GV01NSC Round Chrome Top 08GT11 Square Chrome Top 08GT14
	✓	✓	✓
	✓	✓	✓
	✗	✗	✗
	✗	✗	✗
	✗	✗	✗
	✗	✗	✗
	✗	✗	✗
	✗	✗	✗
	✗	✗	✗

Contour Wastes	
Pumped	
	
08CUW01	08GU21
✓	✓
✓	✓
✗	✗
✗	✗
✗	✗
✗	✗
✗	✗
✗	✗
✗	✗
✗	✗





Standard Gravity Waste with 19mm or 50mm Water Trap

AKW Standard gravity waste with 19mm or 50mm water trap for Braddan and Swift trays or can be used for wet floor formers with adaptor (see page 142).

Features & Benefits

- + One-piece design with built in filter particularly ideal for wooden floor installations
- + Gravity waste allows for easy shower tray or former installation
- + Water trap prevents bad odour backflow
- + Top access for easy cleaning and ensures easy maintenance
- + Built-in filter catches hair and debris which can be removed for cleaning
- + Can be specified with tiles and vinyl with appropriate adaptor

Specifications

Water trap depth (seal): 19mm or 50mm
Waste hole fitting diameter: 50mm
Bayonet fitting cover
Depth below tray: 93mm (19mm) and 124mm (50mm)
Overall depth: 113mm (19mm) and 144mm (50mm)
Flow rate: approx. 35 litre per minute

Product Codes

Standard Gravity Waste (19mm Water Trap)	25125
Standard Gravity Waste (50mm Water Trap)	25126



GW50 Patent: GB2418355



GW90 90mm Diameter with 50mm Water Trap

Can be specified with any Sulby 2, Eagle TWO or Low Profile tray. Alternatively, can be fitted to the Tuff Form / Tuff Form 8 with adaptor (see page 142).

Features & Benefits

- + One-piece design with built in filter particularly ideal for wooden floor installations
- + Water trap prevents bad odour backflow
- + Top access for easy cleaning and ensures easy maintenance
- + Built-in filter catches hair and debris which can be removed for cleaning
- + Can be specified with vinyl flooring
- + Gravity waste particularly ideal for any Sulby2, Eagle TWO or Low Profile shower trays on wooden floor installations

Specifications

Water trap depth (seal): 50mm
Waste hole fitting diameter: 90mm
Bayonet fitting cover
Depth below tray: 90mm
Overall depth: 110mm
Flow rate: approx. 31 litre per minute

Product Codes

GW90 Gravity Waste (50mm Water Trap)	25120
GW90 Onyx Waste for Onyx tray and Linea Tray	25694



GW90 Patent: GB2418355



Low Depth GW90 90mm Diameter with 50mm Water Trap

The low depth gravity waste has been designed for ease of installation and flexibility of fitting. The 90mm diameter waste with a 50mm water trap is suitable for Sulby 2, Eagle TWO or Low Profile® trays where height restrictions are an issue. Alternatively it can be used with Tuff Form / Tuff Form 8 formers with GW90 Gravity waste adaptor.

Features & Benefits

- + Unique swivel outlet for quick and easy installation
- + Water trap prevents bad odour backflow
- + Top access for easy cleaning and ensures easy maintenance
- + Built-in filter catches hair and debris which can be removed for cleaning
- + Can be specified with vinyl flooring
- + Can be specified with wet floor formers when fitted with the adaptor 25409
- + Low depth gravity waste particularly ideal for Sulby 2, Low Profile and Eagle TWO trays on wooden floor installations



GW90 Gravity waste adaptor



Specifications

Water Trap depth (seal): 50mm
 Depth below tray: 60mm
 Bayonet fitting cover
 Overall depth: 82mm
 Waste fitting hole diameter: 90mm
 Flow rate: approx. 9 litres per minute

Product Codes

Low Depth GW90 Gravity Waste (50mm Water Trap)	25404
Low Depth GW90 Waste Tuff Form Adaptor (waste not included)	25409
Low Depth GW90 Waste Tuff Form Adaptor	25435



GW90-2 Low Depth Wet Waste with Vinyl Floor Adaptor

Features & Benefits

- + Compact and shallow 53mm depth ideal for solid floor or shallow joist installations
- + Suitable for use with push fit & solvent weld pipe (with included adaptor)
- + Water trap prevents bad odour backflow
- + Top access for easy cleaning and ensures easy maintenance
- + Built-in filter catches hair and debris which can be removed for cleaning
- + Can be specified with vinyl flooring

Specifications

Water Trap depth (seal): 50mm
 Depth below tray: 72mm
 Push fit top
 Overall depth: 89mm
 Waste fitting hole diameter: 90mm
 Flow rate: 27 l/min + 15mm head + 1 m pipe

Product Code

GW90-2 Low Depth Wet Waste with Vinyl Floor Adaptor **25499-UK**



Waste pipe connector kit included in kit

TF75 Bottom Outlet Waste with 75mm Water Seal Trap Shower Gully

Suitable to fit with Tuff Form®, Tuff Form8® and ShowerDec wet floor formers with vertical outlet to suit 110mm standard pipe.

Features & Benefits

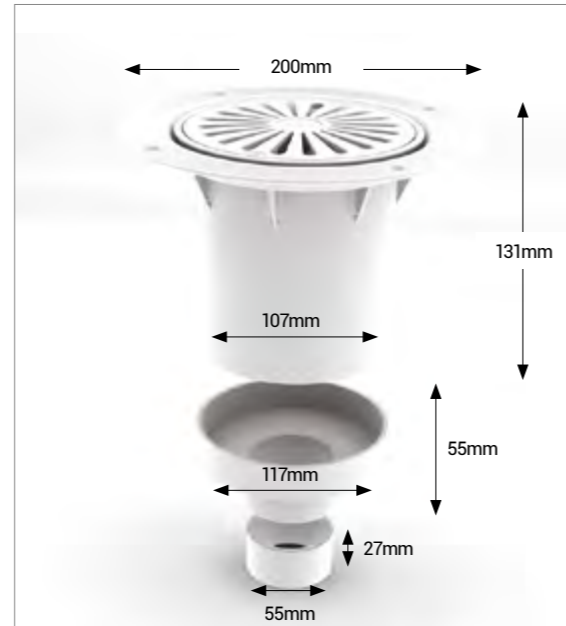
- + Bayonet fitting or option to screw down waste top ideal for properties with concrete flooring and new build properties
- + Water trap prevents bad odour backflow
- + Top access for easy cleaning and ensures easy maintenance
- + Built-in filter catches hair and debris which can be removed for cleaning
- + One part waste for easy installation
- + Can be specified with vinyl flooring
- + Suitable to fit with all wet floor formers with vertical outlet to suit 110mm standard pipe

Specifications

Water Trap depth (seal): 75mm
Depth below tray: 157mm
Bayonet fitting or option to screw down waste top
Overall depth: 213mm
Waste diameter: 200mm
Flow rate: approx. 32 litres per minute
Solvent socket adaptor for vertical 4", 2", 1 1/2" outlets

Product Code

TF75 Bottom Outlet Waste with 75mm Water Seal Trap Shower Gully	25408
---	--------------



TF75 Patent: GB2402946

TF75 Gravity Waste for Screeded Floors

Designed for Tuff Form®, Tuff Form8® and ShowerDec wet floor formers and screeded floor installations in a breachable floor.

Features & Benefits

- + Adjustable elbow for waste pipe exit
- + Accommodates vertical or horizontal outlets as elbow can be easily adjusted to suit existing pipework
- + Water trap prevents bad odour backflow
- + Top access for easy cleaning and ensures easy maintenance
- + Built-in filter catches hair and debris which can be removed for cleaning
- + Can be specified with vinyl flooring
- + Designed for all wet floor formers and screeded floor installations in a breachable floor
- + Alternative waste cover available in Mid Grey to provide users with a greater contrast in the bathroom, especially those with sight loss and dementia.

Specifications

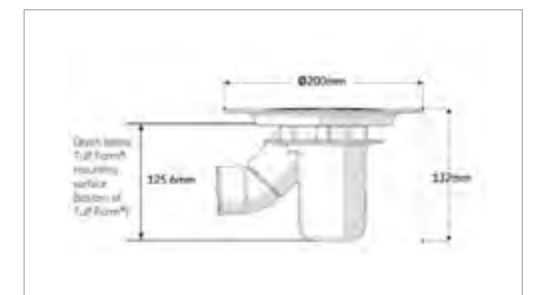
Water Trap depth (seal): 75mm
Depth below tray: 125mm
Bayonet fitting or option to screw down waste top
Overall depth: 132mm
Waste diameter: 200mm
Flow rate: approx. 32 litres per minute

Product Codes

TF75 Gravity Waste for Tuff Form® and Screeded Floors	25106
TF75 Tuff Form Waste Cover Grey	18-003-029
TF75 Tuff Form Waste Cover White with Adaptor	25107



TF75 Patent: GB2402946





GW90-2 Low Depth Wet Waste with TF Tiled Floor Adaptor

Designed for use with Tuff Form and Tuff Form8® wet floor formers.

Features & Benefits

- + Compact and shallow 53mm depth ideal for solid floor or shallow joist installations
- + Suitable for push fit & solvent weld pipe (with included adaptor)
- + Water trap prevents bad odour backflow
- + Top access for easy cleaning and ensures easy maintenance
- + Built-in filter catches hair and debris which can be removed for cleaning
- + Can be specified with tiled flooring

Specifications

Water Trap depth (seal): 50mm

Depth below tray: 68mm

Push fit top

Overall depth: 53mm

Waste diameter: 90mm

Flow rate: 27 litres per minute + 15mm head + 1m pipe

Product Code

GW90-2 Low Depth Wet Waste with TF Tiled Floor Adaptor

25498-UK



SS-TF75 Stainless Steel Gravity Waste for Screeded Floors

Designed for Tuff Form®, Tuff Form8® and ShowerDec wet floor formers and screeded floor installations in a breachable floor.

Features & Benefits

- + Adjustable elbow for waste pipe exit
- + Accommodates vertical or horizontal outlets as elbow can be easily adjusted to suit existing pipework
- + Water trap prevents bad odour backflow
- + Top access for easy cleaning and ensures easy maintenance
- + Built-in filter catches hair and debris which can be removed for cleaning
- + Can be specified with tiled flooring
- + Designed for Tuff Form® /Tuff Form8® wet floor formers and screeded floor installations in a breachable floor

Specifications

Water Trap depth (seal): 75mm

Depth below tray: 125mm

Bayonet fitting or option to screw down waste top

Overall depth: 132mm

Waste diameter: 200mm

Flow rate: approx. 32 litres per minute

Product Code

SS-TF75 Stainless Steel Gravity Waste for Tuff Form® and Screeded Floors

LB00101





GW90 90mm Diameter Waste Metal Topped

GW90 Metal Topped 90mm diameter waste provides a high rate 27 l/min when installed with a 15mm head and 1m pipe installation. Suitable for use with Braddan, Low Profile, Eagle TWO and Tuff Form / Tuff Form 8 formers.

Features & Benefits

- + Very compact, useful for solid floors or shallow joists
- + Non return valve ensures the trap always retains water aiding in the prevention of bad odour backflow and prevents the trap from drying out with sporadic use
- + Suitable for use with push fit & solvent weld pipe (with included adaptor)
- + Watertight fitting created with good seals and valve location
- + Top access for easy cleaning and ensures easy maintenance
- + Can be specified with vinyl flooring

Specifications

Water trap depth: n/a

Depth below tray: 53mm

Push fit top

Overall depth: 60mm

Waste diameter: 90mm

Pipe Adaptor Kit included

Flow rate: approx. 31 litres per minute

Product Codes

GW90 Metal Topped 90mm Diameter Waste	25434
GW90-2 gravity waste with domed cover	25497-UK



Low Depth Dry Waste with Domed Cover

Low depth dry shower wastes suitable for Sulby 2, Low profile and Eagle TWO. Also suitable for Tuff Form / Tuff Form 8 formers with adaptor (see page 142).

Features & Benefits

- + Suitable for trays with Ø 90mm waste hole (Sulby 2, Low Profile and Eagle TWO shower trays)
- + Very compact, useful for solid floors or shallow joists
- + Suitable for use with push fit & solvent weld pipe (with included adaptor)
- + Non return valve ensures the trap always retains water aiding in the prevention of bad odour backflow and prevents the trap from drying out with sporadic use
- + Watertight fitting created with good seals and valve location
- + Top access for easy cleaning and ensures easy maintenance
- + Can be specified with vinyl flooring

Specifications

Depth below tray: 53mm

Push fit top

Overall depth: 60mm

Waste diameter: 90mm

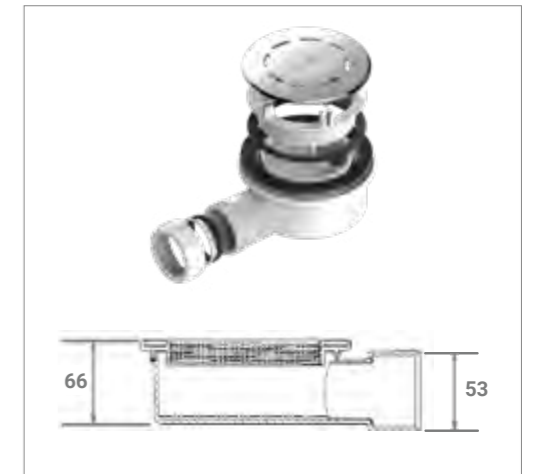
Flow rate: 27 l/min with 15mm head and 1m of pipe

Pipe Adaptor Kit included

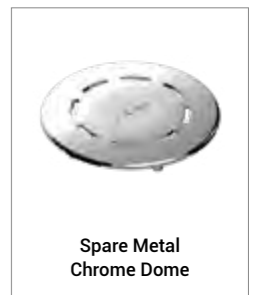
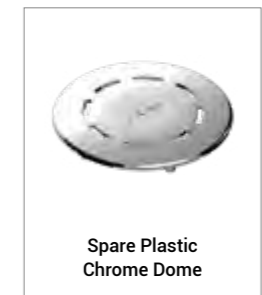
Spare parts available: Plastic Chrome Dome, Metal Chrome Dome, Pipe Adaptor Kit and Dry Waste Non-Return Valve

Product Codes

DW90 Low Depth Dry Shower Waste	25492-UK
Spare Plastic Chrome Dome	16-006-008
Spare Metal Chrome Dome	16-006-038
Spare Pipe Adaptor Kit	16-006-058
Spare Dry Waste Non Return Valve	16-006-037
DW90 Waste for Onyx Tray	25696-UK



Spare Parts:



Low Depth Dry Waste with TF Vinyl Floor Adaptor

Tuff Form® Waste for Vinyl Flooring with DW90 Low Depth Dry Shower Waste and Vinyl Floor Adaptor.

Features & Benefits

- + Suitable for Tuff Form and Tuff Form8® wet floor formers.
- + Very compact, useful for solid floors or shallow joists
- + Non return valve ensures the trap always retains water aiding in the prevention of bad odour backflow and prevents the trap from drying out with sporadic use
- + Suitable for use with push fit & solvent weld pipe (with included adaptor)
- + Watertight fitting created with good seals and valve location
- + Top access for easy cleaning and ensures easy maintenance
- + Can be specified with vinyl flooring

Specifications

Depth below tray: 53mm
Push fit top
Overall depth: 66mm
Waste diameter: 90mm
British standards: BS EN 274 Part 2:2002
Flow rate: 27 l/min with 15mm head and 1m of pipe
Pipe Adaptor Kit included
Spare parts available: Pipe Adaptor Kit and Dry Waste Non-Return Valve

Product Codes

Low Depth Dry Waste with Tuff Form® Vinyl Floor Adaptor	25419-UK
Spare Pipe Adaptor Kit	16-006-058
Spare Dry Waste Non Return Valve	16-006-037



Spare Parts:



DW90 Waste with Tuff Form® Tiled Floor Adaptor

Tuff Form® Waste for Tiled Flooring with DW90 Low Depth Dry Shower Waste and Tiled Floor Adaptor.

Features & Benefits

- + Suitable for trays with Ø 90mm waste hole
- + Very compact, useful for solid floors or shallow joists
- + Non return valve ensures the trap always retains water aiding in the prevention of bad odour backflow and prevents the trap from drying out with sporadic use
- + Suitable for use with push fit & solvent weld pipe (with included adaptor)
- + Watertight fitting created with good seals and valve location
- + Top access for easy cleaning and ensures easy maintenance
- + Can be specified with tiled flooring

Specifications

Depth below tray: 66mm
Push fit top
Overall depth: 53mm
Waste diameter: 90mm
British standards: BS EN 274 Part 2:2002
Flow rate: 27 l/min with 15mm head and 1m of pipe
Pipe Adaptor Kit included
Spare parts available: Pipe Adaptor Kit and Dry Waste Non-Return Valve

Product Codes

DW90 Low Depth Dry Shower Waste with Tuff Form® Tiled Floor Adaptor	25418-UK
Spare Pipe Adaptor Kit	16-006-058
Spare Dry Waste Non Return Valve	16-006-037



Spare Parts:



PGTF Pumped Gulley Waste with 15mm Outlet only

Can be specified with formers

Features & Benefits

- + Low-level waste option for unbreachable floors with ShowerDec and Tuff Form/Tuff Form8® formers
- + Top access for easy cleaning and ensures easy maintenance
- + Offers an additional option for specification
- + Can be specified with vinyl flooring

Specifications

Bayonet or screw down option

Depth below tray: 35mm

Overall depth: 43mm

15mm John Guest Speedfit outlet

Product Code

PGTF Pumped Gulley Waste 15mm Outlet

25101



Patent: GB2373515

SilentFlow+® Waste Pump (PGTF) with 22mm Outlet

The SilentFlow+® waste pump is a completely new design which is virtually silent in operation to reduce the noise associated with shower pumps and wastes.

Features & Benefits

- + For a virtually silent-operating pumped waste installation for a pleasant showering experience
- + Noise level testing shows the SilentFlow+® is comparable with the nearest competitors 'quiet' pumped waste at up to 11 lpm and outperforms above 11 lpm
- + Encourages optimum water flow direction while reducing turbulence by balancing flow and dampening surges to reduce the gulping effect
- + Can be connected to all pumps in the current range
- + Pumped waste solution for low-depth floors
- + Provides solutions for unbreachable floor showering adaptations
- + Top access for easy cleaning and ensures easy maintenance
- + Can be specified with vinyl flooring
- + Can be specified with ShowerDec or Tuff Form / Tuff Form 8 formers

Specifications

Depth below tray: 45mm

Bayonet fit top

Integrated 22mm John Guest fitting

Product Codes

SilentFlow+® Waste Pump (PGTF)
(22mm John Guest Speedfit Outlet) **25414**

15mm Female JG to 22mm Reducer **25195**

CUW01 Pumped Trap **08CUW01**

Please note: Supplied with bayonet fitted cover. Has the option of additional securing with screws as shown in photo.



SS-PGTF Stainless Steel Pumped Gulley Waste with 22mm Outlet only

Can be specified with ShowerDec or Tuff Form/
Tuff Form 8 formers

Features & Benefits

- + Low-level waste option for unbreachable floors with all wet floor formers
- + Designed for easy fitting by accommodating variants in ceramic tile finishes
- + Top access for easy cleaning and ensures easy maintenance
- + Can be specified with tiled flooring



Specifications

Depth below tray: 44mm

Overall depth: 52mm

Push fit top

22mm John Guest Speedfit outlet

Stainless steel plate dimensions: 120 x 120mm

Stainless steel plate height adjustable 6mm - 25mm max

Product Codes

SS-PGTF Stainless Steel Pumped Gulley Waste	LB00104
15mm female JG to 22mm male plastic reducer (Waste to Digipump) x1	25414
22mm - 15mm F Push Fit Reducers x 10	30059
SilentFlow+® Waste Pump (PGTF) (22mm John Guest Speedfit Outlet)	25414

Standard PW50 50mm Diameter Pumped Waste with 15mm or 22mm Outlet

Issued as standard with both automatic and automatic mixer valve pump kits. Can be specified with Braddan and Swift shower trays as well as all wet floor formers.

Features & Benefits

- + Offers an additional option to suit installation requirements
- + Easy installation and watertight fitting
- + Top access for easy cleaning and ensures easy maintenance
- + Built-in filter catches hair and debris which can be removed for cleaning
- + 15 or 22mm John Guest Speedfit outlets available

Specifications

Depth below tray: 38mm (15mm) and 44mm (22mm)

Overall depth: 50mm (15mm) and 56mm (22mm)

Bayonet fit top

15 or 22mm John Guest Speedfit outlet

Waste diameter: 50mm

Product Codes

Standard PW50 50mm Pumped Waste (15mm John Guest Speedfit Outlet)	25122
Standard PW50 50mm Pumped Waste (22mm John Guest Speedfit Outlet)	25405
15mm Female JG to 22mm Reducer	25195



Exploded View

PW50 Patent: GB2375479



PW90 90mm Diameter Pumped Waste with 15mm or 22mm Outlet

Specially designed shallow pump gulley (for Sulby 2, Eagle TWO or Low Profile Shower Trays,) with two baffle features that Can also be specified with Tuff Form / Tuff Form 8 and TriForm formers. help to reduce the noise during showering cycles.

Features & Benefits

- + Offers an additional option to suit installation requirements
- + Easy installation and watertight fitting
- + Top access for easy cleaning and ensures easy maintenance
- + Built-in filter catches hair and debris which can be removed for cleaning
- + 15 or 22mm John Guest Speedfit outlets available

Specifications

Depth below tray: 36mm (15mm) and 44mm (22mm)

Overall depth: 58mm (15mm) and 66mm (22mm)

Bayonet fit top

15 or 22mm John Guest Speedfit outlet

Waste diameter: 90mm

Product Codes

PW90 90mm Pumped Waste (15mm John Guest Speedfit Outlet)	25105
PW90 90mm Pumped Waste (22mm John Guest Speedfit Outlet)	25406
PW90 22mm pumped waste for Onyx	25695
15mm Female JG to 22mm Reducer	25195
22mm - 15mm F Push Fit Reducers x 10	30059



Exploded View

PW50 Patent: GB2375479

Screedmaster® Pumped Gulley

Allows you to fit a pumped waste into a floor screed without having to excavate the entire floor.

Features & Benefits

- + Fitted with a pumped waste is ideal for graded floor installations with vinyl flooring
- + Can accommodate wheelchairs or chair legs
- + Top access for easy cleaning and ensures easy maintenance
- + Offers an additional option to suit installation requirements
- + Can be specified with vinyl flooring

Specifications

Bayonet or screw down option

Overall depth: 32mm or 37mm

15 or 22mm John Guest Speedfit® outlet

Product Codes

15mm Screedmaster® Pumped Gulley	25100
22mm Screedmaster® Pumped Gulley	25407
15mm Female JG to 22mm Reducer	25195



Patent: GB2374876

i For pipe and push fit fittings see [page 549](#)



TSG2SS-SL-NSC 75mm Water Seal Trapped Gully – Round Chrome Top

Features & Benefits

- + 75mm Water Seal, 110mm Vertical Outlet
- + Supplied with 110mm x 2" BS EN 1329-1:2020 solvent spigot outlet
- + Overall height 130mm

Product Code

TSG2SS-SL-NSC 75mm Water Seal Trapped Gully – Round Chrome Top

08GT11



TSG2SS-SL-NSC 75mm Water Seal Trapped Gully – Square Chrome Top



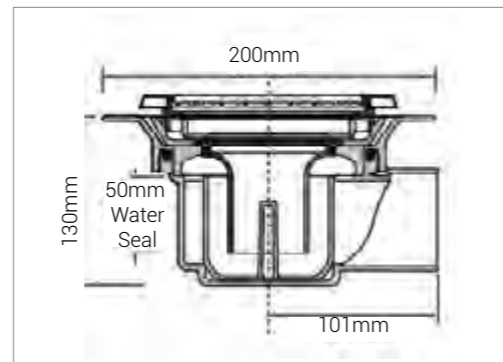
Features & Benefits

- + 2 part, 50mm water seal trapped gully with maximum flow rate in excess of 40 l/m
- + Stainless steel options available for a modern appearance or for tiled floors
- + Waste is 100mm in depth

Product Code

TSG2SS-SL-NSC 75mm Water Seal Trapped Gully – Square Chrome Top

08GT14



TSG52 Gullys



CTW01 Gravity Shower Trap

Features & Benefits

- + 2 part, 50mm water seal trapped waste for use with a wetroom floor former and flexible sheet flooring
- + Bolts together for easy installation
- + Push on cover plate
- + Removable inner cup for cleaning
- + Manufactured in ABS to the highest quality and will withstand wheelchair loadings.
- + Ideal for showers in domestic wet rooms, disabled and student accommodation, bathroom pods, retirement and care homes, hotels, hospitals and sport and leisure

Specifications

Water Trap depth (seal): 50mm

Depth below tray: 68mm

Push fit top

Overall depth: 53mm

Waste diameter: 90mm

Flow rate: 26 litres per minute

Product Code

CTW01 Shower Trap

08CTW01





McAlpine Standard TSG52 Two Piece 50mm Water Seal Gully

Features & Benefits

- + 2 part, 50mm water seal trapped gully with maximum flow rate in excess of 40 l/m
- + Stainless steel options available for a modern appearance or for tiled floors
- + Waste is 100mm in depth



Product Code

McAlpine Standard TSG52 Two Piece
50mm Water Seal Gully

08GT52NSC

VSG1 Valve Gravity Shower Gully 1 1/2 in Horizontal Outlet



Features & Benefits

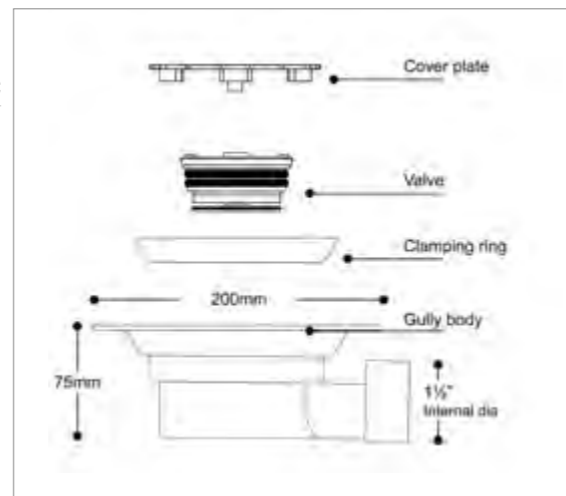
- + Where depth is restricted VSG1 valve is a substitute for a regulatory water seal trap
- + Minimum flow rate of 30 litres per minute in 15mm head of water
- + Supplied with FLEXCON6 1 1/2" flexible compression connector
- + Waste is 75mm in depth



Product Codes

VSG1 Valve Gravity Shower Gully 1 1/2 in Horizontal Outlet

08GV01NSC

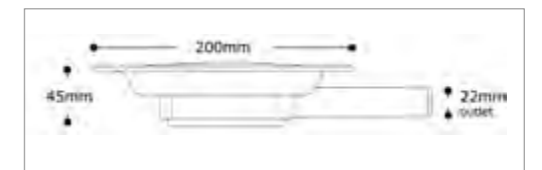


CUW01 Pumped Trap

22mm waste for use with ShowerDec or Tuff Form / Tuff Form 8 formers.

Features & Benefits

- + To be used in conjunction with a shower waste pump & wetroom floor former
- + For use with flexible sheet flooring
- + Push on cover plate
- + Clamping ring screws in position
- + Top access, easy to clean
- + 22mm outlet.
- + Increased outlet length for easier installation
- + Ideal for showers in domestic wet rooms, disabled and student accommodation, bathroom pods, retirement and care homes, hotels, hospitals and sport and leisure



Specifications

Depth below tray: 45mm

22mm outlet

Overall depth: 22mm

Waste diameter: 200mm

Compatible with ShowerDec®, Tuff Form8, or Tuff Form, wetroom floor formers & flexible sheet flooring

Product Codes

CUW01 Floor Former Pumped Shower Gully

08CUW01

UPSW-3-22 (22mm)

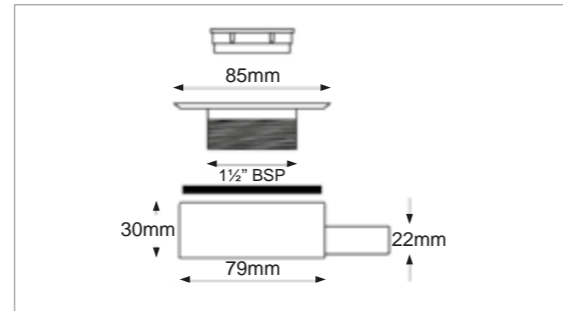
Features & Benefits

- + 85mm chrome plated flange & grid fitting
- + Fits a 52mm waste hole
- + Waste is 30mm in depth
- + Not compatible with AKW trays and formers

Product Code

UPSW-3-22 Pumped Trap, 22mm Outlet

08CUW01



UPSW-4

Features & Benefits

- + 110mm chrome plated flange & petal grid fitting
- + Waste is 32mm in depth
- + Not compatible with AKW trays and formers

Product Code

UPSW-4 Pumped Waste, 22mm Outlet

08WU04



USG1-WH

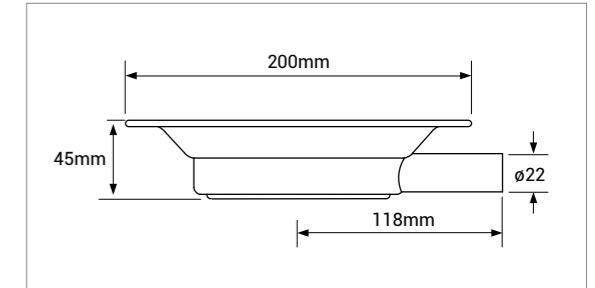
Features & Benefits

- + Use with a ShowerDec®, Tuff Form8, or Tuff Form, wetroom floor formers & flexible sheet flooring
- + 150mm stainless steel square option for use with floor tiles, (8mm depth)
- + Round stainless steel option for use with vinyl flooring
- + Waste is 45mm in depth

Product Code

USG1SS-SL-NSC Untrapped Gully - Round Chrome Top

08GU21



STW8B-95

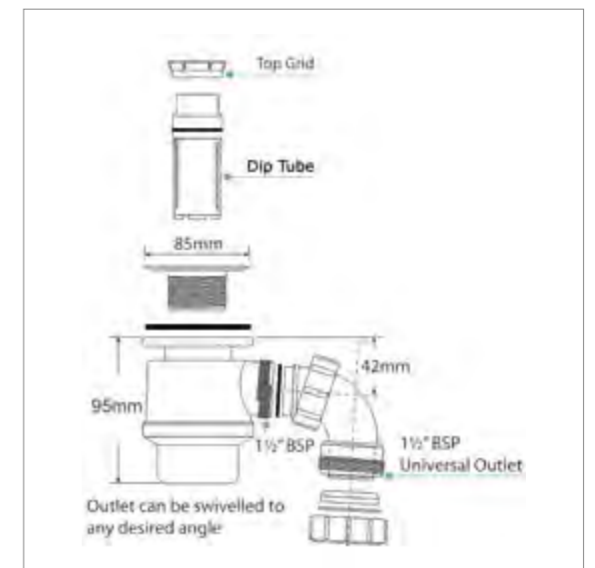
Features & Benefits

- + 85mm chrome plated flange & grid fitting
- + Maximum flow rate approximately 22 litres per minute in 15mm head of water
- + Waste is 95mm in depth

Product Code

STW8B-95-50mm Water Seal Shower Tray Gravity Waste

08WT08



TFWA Tuff Form® Waste Adaptor

WR

This adaptor ring allows a typical top clearing ø50mm trapped waste to be fitted into a Tuff Form® former.

Features & Benefits

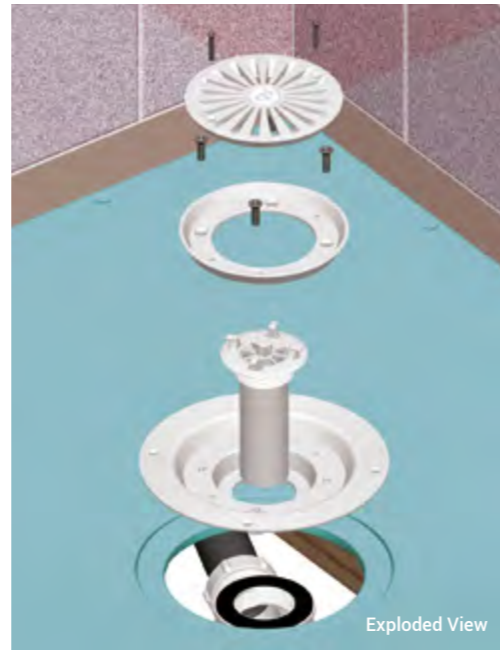
- + Designed to trap vinyl flooring in place maintaining a watertight installation
- + Can be specified with Tuff Form (with vinyl flooring)
- + Opens from above for easy installation
- + Offers an additional option to suit installation requirements

Specifications

19mm (GW19) or 50mm (GW50) water trap options available
 Depth below tray: 97mm (19mm) and 128mm (50mm)
 Overall depth: 128mm (19mm) and 159mm (50mm)

Product Codes

TFWA Tuff Form® Waste Adaptor only	25107
TFWA Tuff Form® Waste Adaptor with 19mm Standard Waste	25129
TFWA Tuff Form® Waste Adaptor with 50mm Standard Waste	25124



Exploded View

Patent: GB2402946
 EU reg number: EU 000189105-0001

Please note: Supplied with bayonet fitted cover. Has the option of additional securing with screws as shown in photo.

TF75/TFWA Bath to Tray Adaptor

WR

The TF75/TFWA Bath to Tray Adaptor has been designed to offer customers a Bathroom for Life and can be used in conjunction with the TF75 Tuff Form Gravity Waste (see page 116) and TFWA with 19mm/50mm waste (see page 110)

Product Code

TF75 Tuff Form® Bath-to-Tray Adaptor	25410
--------------------------------------	-------



SS-TFWA Stainless Steel Tuff Form® Waste Adaptor

WR

This adaptor ring allows a typical top clearing ø50mm trapped waste to be fitted into Tuff Form® wet floor formers. Can also be used with ShowerDec formers.

Features & Benefits

- + Opens from above for easy installation
- + Offers an additional option to suit installation requirements

Specifications

19mm (GW19) or 50mm (GW50) water trap options available
 Depth below former: 97mm (19mm) and 128mm (50mm)
 Overall depth: 128mm (19mm) and 159mm (50mm)
 Stainless steel plate dimensions: 120 x 120mm
 Stainless steel plate height is adjustable to max of 25mm

Product Codes

SS-TFWA Tuff Form® Waste Adaptor (Wave Grate) only	LB00171
SS-TFWA Tuff Form® Waste Adaptor (Wave Grate) with 19mm Standard Waste	LB00103
SS-TFWA Tuff Form® Waste Adaptor (Wave Grate) with 50mm Standard Waste	LB00102
Stainless Steel SFWA Waste Adaptor (w/o trapped waste)	25433
Stainless Steel SFWA Waste with GW50 & Dot Grate	21318
Stainless Steel SFWA Waste with GW19 & Dot Grate	21319

For the GW50 or GW19 waste see page 118



EU reg number: EU 000189105-0001

GW90 Gravity Waste Tuff Form® Adaptor

WR

The GW90 Gravity Wastes (25404 and 25120) are suitable for use with all Tuff Form® formers if fitted in conjunction with this Tuff Form® waste adaptor for vinyl flooring.

Product Code

GW90 Gravity Waste Tuff Form® Adaptor	25409
---------------------------------------	-------



AKW DigiPumps

Designed and manufactured by AKW, our comprehensive range of digital shower waste pumps suit installations where gravity drainage is not achievable.

Features & Benefits

- + Models available to suit both electric and mixer showers
- + Can be connected wirelessly or hard wired to showers
- + M11 option (for electric showers only), M17 option (for both electric and mixer showers),
- + M20 option (ultimate performance for both electric and mixer showers)
- + Offers a wireless connection to the flow sensor within AKW SmartCare Plus® and SmartCare® Lever electric showers, with a wireless module (available separately)
- + Pumps include 1 x flow sensor for electric shower installations, optional flow sensor is available separately if required
- + Component Part has no flow sensor and is to be wired directly to a suitable shower
- + Non-handed (to fit left or right inlet)
- + Pump head uses 4 valves for better debris cleaning
- + Pump head can be rotated to allow flow in either direction which is ideal for bathrooms with limited space
- + Flow sensor available to activate DigiPumps used with dual-fed showers
- + Easy to set up and configure ensuring full drainage of shower tray as pump automatically adjusts to the variation of water supply
- + Maintenance free 7 year warranty



i Our DigiPump Installation Guide can be found on orders.akw-ltd.co.uk

i AKW DigiPumps can connect directly to other manufacturers showers



Extended options available

BS EN 61558-1, BS EN 61558-2-6
 BS EN 60335-1, BS EN 60335-2-41
 BS EN 60529
 E MC Directive 89/336/EEC
 Low Voltage Directive 73/23/EEC

Specifications

Max flow rate: 11 litres/min (M11), 17 litres/ min (M17) and 20 litres/min (M20) in 'real life' scenario testing

M11: 15mm inlet and 22mm outlet connectors

M17 and M20: 22mm inlet and outlet connectors

Internal TGA fuse

IP45 rated

Maximum Outlet Head 1.0m (39in)

Maximum Inlet Head 0.5m (19in)

Maximum Combined Head and Lift 1.5m (59in)

Supply 230V AC 50Hz 73W

Duty Cycle 30 mins max on 50% duty

Product Codes

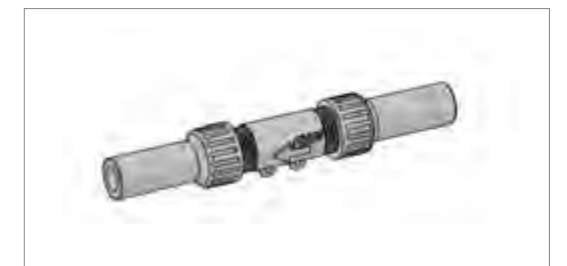
	M11 DigiPump Product Code:	M17 DigiPump Product Code:	M20 DigiPump Product Code:
Component Part	25470	25450	25480
Waste Pump Only	25471	25451	25481

DigiPump Flow Sensor Kit

DigiPump Flow Sensor Kit for use with mixer or electric showers

Features & Benefits

- + External communication device for mixer or electric showers
- + Compatible with all AKW DigiPumps®: M11, M17, M20 - Pumps are available with different capacities to support the volume of water flow
- + Please note: For an electric shower (not using internal flow sensor or wireless option), you will require an external flow sensor. If using a mixer shower, you will require 2 flow sensors



Product codes

Flow Sensor Kit	25194
-----------------	-------

Auxiliary Pump Switch

Designed to activate the pump and drain water without turning on the shower, helping to facilitate cleaning and excess water drainage.

Features & Benefits

- + Compatible with all DigiPumps® from 2021
- + Press retractive switch that contains an internal spring, so that it automatically resets back to OFF upon release
- + Wall-mounted switch that works in conjunction with the pump, without turning the shower on



Product Code

DigiPump® Auxiliary Pump Switch Only

25488

Wireless Pump Module

The Wireless Pump Module connects AKW SmartCare Plus® and SmartCare® Lever electric showers to the AKW M11, M17, M20 DigiPumps® and P12 by receiving information from the shower and transmitting it to the pump.

Features & Benefits

- + Supplied with matched PCB to connect wireless module to the shower unit
- + Pump not included

Product Codes

AKW Electric Showers Wireless Pump Module

30315

See **Access Panels** on page 313See **Pumped Wastes** from page 130

P12 Waste Pump

The only quiet, unblockable & maintenance free shower waste pump.

Features & Benefits

- + Near silent operation for a relaxed showering experience
- + Reliable peristaltic pump design
- + Variable speed controller is designed to be highly efficient and match the flow volumes of electric & mixer showers
- + Compatible with AKW wastes (with a 22mm outlet), trays and showers for effortless operation with compatible AKW products for a complete showering solution
- + Offers a wireless connection to the flow sensor within AKW SmartCare Plus® and Smart Care® Lever electric showers, with a wireless module (available separately)
- + P12 pump includes 1 x flowswitch for electric shower installations, optional flowswitch is available separately if required
- + Link Pump has no flow switch and is to be wired directly to a suitable shower
- + Optional auxiliary switch, designed to activate the pump to drain water away without the need to turn on the shower
- + Error Codes displayed on control allowing for easy diagnosis in the unlikely event of a fault
- + Low running costs due to the efficient 24v DC motor
- + Suitable for Electric Showers or Mixer Showers (which require an additional flow switch and flow limiter).
- + Link directly to AKW SmartCare Plus and SmartCare Lever electric showers eliminating the flow switch
- + With 3 metre length of 22mm flexible pipe for convenient installations
- + Non-handed for quick & easy installation
- + Maintenance free with a 7-year warranty



Specification

Maximum flow rate	Up to 12 lpm
Variable speed	Yes
Maximum outlet head	2mm
Compatible wastes	Yes, 22mm outlet
Individually factory water tested	Yes
Power rating	24v DC
Inlet & outlet connection	22mm

ELECTRICAL CONTROL BOX

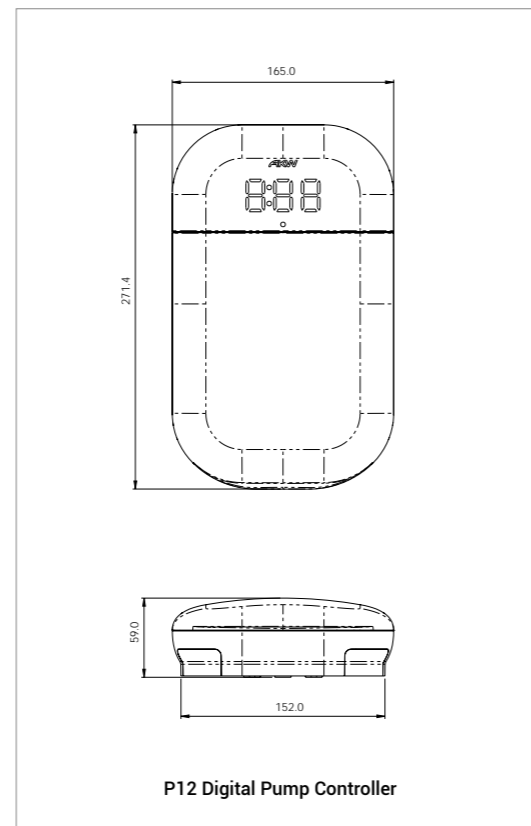
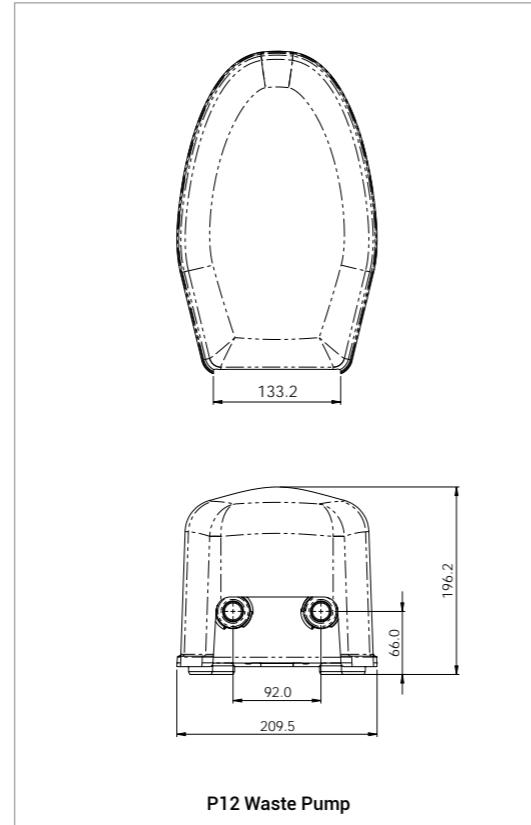
Supply rating	230V AC 50Hz 60W
IP rating	IPX4
Zones for Installation	1 or 2

Product Codes

P12 Link Pump Only	05PP01-LA
P12 Digital Pump Controller	05PP10D
P12 Pump Only	05PP01-A

Optional Extras

Auxiliary Pump Switch	25488
Flow Switch	05PP11
P12 Pump Flexible Installation Kit	05PP21



P12 Flow Switch Kit for use with mixer or electric showers

Kit contains: P12 FS-X062 Flowswitch Kit with John Guest fitting and Y Filter



Features & Benefits

- + 15mm copper pipe
- + Minimal pressure drop
- + Operates from a small head of water
- + Vertical mount +/- 15°
- + Suitable for water and air flow switching

Product Code

P12 Flow Switch Kit for use with mixer or electric showers	05PP11
--	---------------

Sanipro Macerator

A Sanipro Macerator can easily deal with a WC, basin, bidet and a power shower. Ideal for replacement installations as no change in pipework is needed.

Features & Benefits

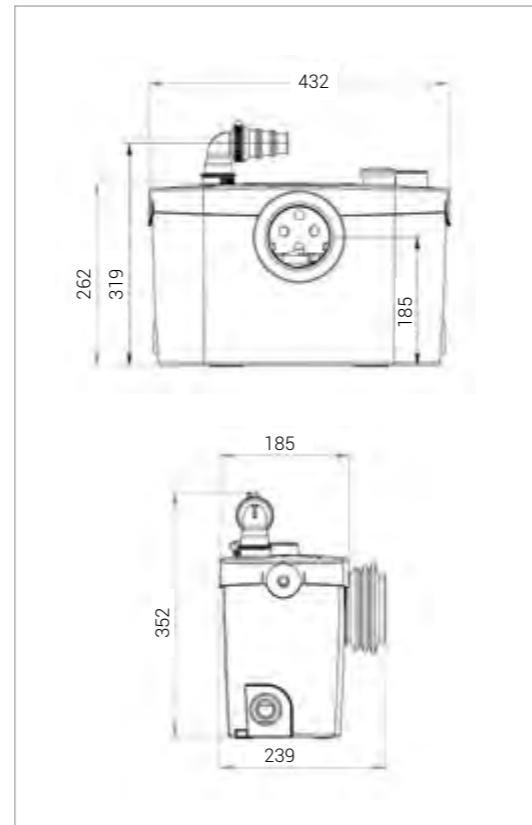
- + Deals with waste from a WC, basin, bidet, shower or power shower, so ideal for an en-suite in your home
- + New easy access to the tank due to the removable lid offering easy servicing and maintenance
- + New improved design of casing, compact, neat and unobtrusive
- + Pumps up to 5m vertically or 100m horizontal
- + Allows you to fit a WC almost anywhere

Specification

Number of available inlets:	4
Recommended discharge pipe dia:	22/28/32 mm
Motor power:	400W
Supply voltage:	220-240V/50Hz
Electrical class:	1
IP rating:	IP24 IP44
Sound level:	46 dB(A)
Maximum horizontal discharge:	100 m
Maximum vertical discharge:	5 m
Maximum flow rate:	90 l/m
Rated current:	1.9 A

Product Codes

Sanipro Macerator	04MSP
-------------------	--------------





Shower Screens & Enclosures

Shower Screen Type

(with tray compatibility reference code):

- A STANDARD SHOWER SCREENS
- SE SLIDING SHOWER SCREENS
- A SILVERDALE® SHOWER SCREENS
- GA GLASS SHOWER SCREENS
- LAR LARENCO SHOWER SCREENS
- OP OPULENCE SHOWER SCREENS
- WF5 CONTOUR SCREEN OPTION

L/R in the product code denotes whether the screen is Left or Right handed.

Shower Screens 153

Larenco Screens	155
Opulence Screens	173
Level Best Glass Screens	181
Standard Screens	185
Screen Configurations	186
Made-to-Measure Screens	190
Sliding Screens	229
Portable Screens	238
Shower Curtain Rails	239
Drop Rods	241
Compensator	242
Shower Curtain Clip	243
Shower Curtains	244
Handles	245
Door Latches	245

Shower Cubicles 247

Onyx Care Pod	248
Standalone Cubicles	256
Showerloo	259
Onyx Shower Cubicles	260

You may also need:

Waste Systems 109	Showers 265	Tiles & Accessories 315
Safety Flooring 323	Timber 329	Plumbing Fittings 549



Larenco

Beautifully reflecting AKW's expertise, the Larenco modular glass screen range fits perfectly in any home, representing the ultimate in inclusive living.

- + Lightweight, 6mm toughened glass for ease of operation
- + Stay Clear coating technology to reduce cleaning
- + Suits trays and wet floors
- + No threshold strip to give barrier free access
- + Modular design provides a solution for most adaptations, care or access need in any size or shape of bathroom
- + Lifetime warranty

Larenco Saloon Door

Features & Benefits

- + Full-height bi-parting shower screens
- + Stay Clear coating for ease of cleaning
- + Lightweight, 6mm toughened safety glass
- + Suitable for shower trays or wet room floors
- + Suitable for alcove installations only

Specifications

Alcove installation

Non handed

Full height

Saloon Doors



⚙️ Dimensions(mm), Size Options & Product Codes:

Shower Tray Size Options:	Height	Door Width	Fixed Panel Width	Overall Width	Code:
800	1900	800	–	785 – 812	26654
900	1900	900	–	885 – 912	26655
1000	1900	1000	–	985 – 1012	26656
1200	1900	800	400	1157 – 1202	26975
1300	1900	900	400	1257 – 1302	26976
1400	1900	1000	400	1357 – 1402	26977

Please note: Larenco Saloon Doors can only be installed in an alcove installation or for an enclosure scenario to an end panel attached to an inline panel.

All of the ranges can be increased by 20mm by using a wide wall compensator.

Product codes: Full height: **26708**. Half height: **26709**.

Larenco Sliding Door

Features & Benefits

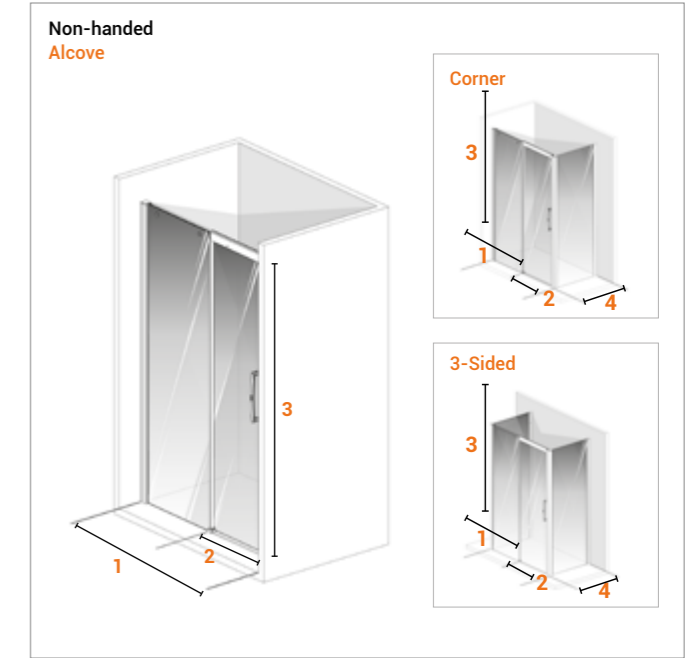
- + Suitable for shower trays and wet floors*
- + Optional side panels to make corner or 3-sided enclosures
- + Lightweight, 6mm toughened safety glass
- + Recommended for tiled floors only

Specifications

Non-handed

Sliding door

Full-height



⚙️ Dimensions(mm), Size Options & Product Codes:

Shower Tray Size Options:	1 Alcove	1 Corner	1 3-sided	2	3	4	Code:
1200	1164–1196	1167 – 1208	1170 – 1217	470	2000	677 - 695	27626
1400	1364 – 1396	1362 – 1408	1365 – 1421	570	2000	–	27627
1500	1464 – 1496	1467 – 1508	1470 – 1517	620	2000	877 – 895	27628
1700	1646 – 1696	1662 – 1708	1665 – 1721	720	2000	–	27629
700	–	–	–	–	2000	677 – 695	27630
800	–	–	–	–	2000	777 – 795	27631
900	–	–	–	–	2000	877 – 895	27632

All of the ranges can be increased by 20mm by using a wide wall compensator.

Product codes: Full height: **27676**.

If your screen has a wide wall compensator, a narrow close-to, or an extra narrow close-to, it is not compatible with vinyl floors.

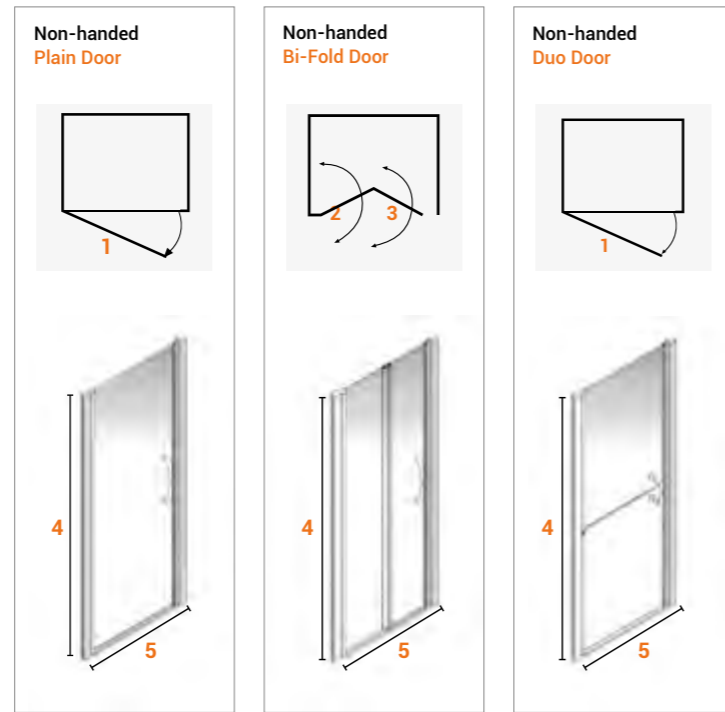
Larenco Alcove Full-Height Door

Features & Benefits

- + Suitable for shower trays and wet floors
- + Plain, bi-fold and duo door options available
- + Lightweight, 6mm toughened safety glass

Specifications

Alcove installation
Non-handed
One door
Full-height



⚙️ Dimensions(mm), Size Options & Product Codes:

Shower Tray Size Options:	1	2	3	4	5	Plain Door Code:	Bi-Fold Door Code:	Duo Door Code:
760	650	350	310	1900	742 – 760	–	27537	–
800	690	370	330	1900	782 – 800	26800	26802	26805
900	790	420	380	1900	882 – 900	26801	26803	26806
1000	890	470	430	1900	982 – 1000	27605	26804	27606

All of the ranges can be increased by 20mm by using a wide wall compensator.

Product codes: Full height: 26708. Half height: 26709.

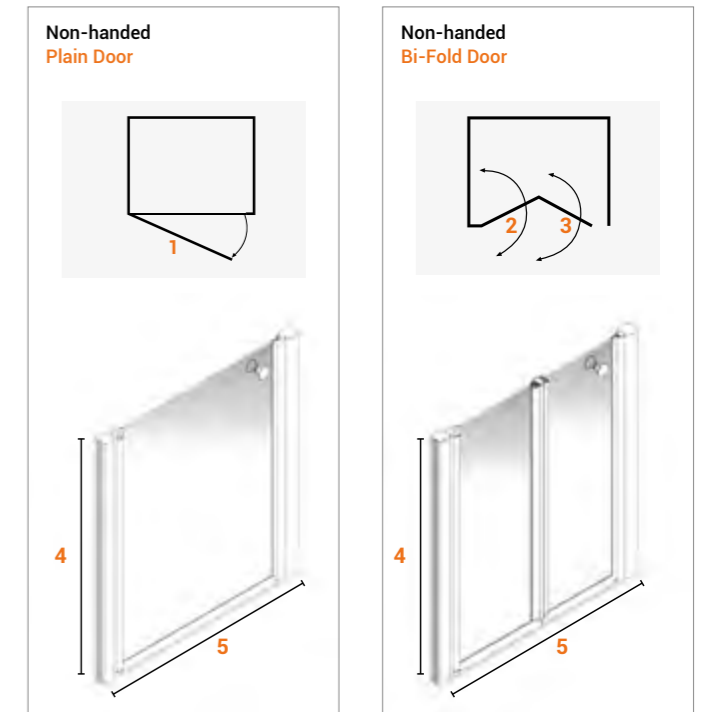
Larenco Alcove Half-Height Door

Features & Benefits

- + Suitable for shower trays and wet floors
- + Plain and bi-fold door options available
- + Lightweight, 6mm toughened safety glass
- + No curtain or rail supplied (see page 239)

Specifications

Alcove installation
Non-handed
One door
Half-height



⚙️ Dimensions(mm), Size Options & Product Codes:

Shower Tray Size Options:	1	2	3	4	5	Plain Door Code:	Bi-Fold Door Code:
800	690	370	330	900	782 – 800	26807	26809
900	790	420	380	900	882 – 900	26808	26810
1000	890	470	430	900	982 – 1000	27607	26811

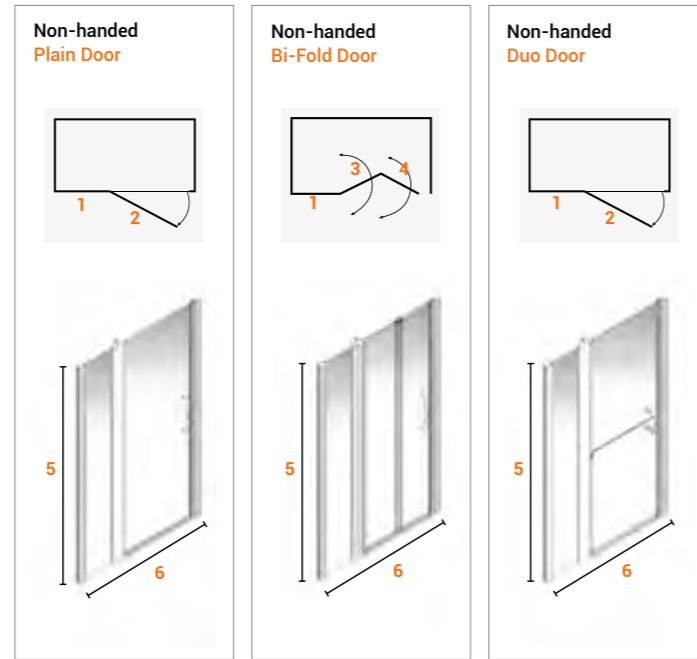
Larenco Alcove Full-Height Door with Inline Panel

Features & Benefits

- + Suitable for shower trays and wet floors
- + Plain, bi-fold and duo door options available
- + Lightweight, 6mm toughened safety glass

Specifications

Alcove installation
Non-handed
One door with inline panel
Full-height



⚙️ Dimensions(mm), Size Options & Product Codes:

Shower Tray Size Options:	1	2	3	4	5	6	Plain Door Code:	Bi-Fold Door Code:	Duo Door Code:
1200	417 – 436	690	370	330	1900	1154 – 1190	26852	26853	26854
1300	517 – 536	790	420	380	1900	1254 – 1290	26857	26858	26859
1400	617 – 636	890	470	430	1900	1354 – 1390	27578	27610	27577

All of the ranges can be increased by 20mm by using a wide wall compensator.

Product codes: Full height: **26708**. Half height: **26709**.

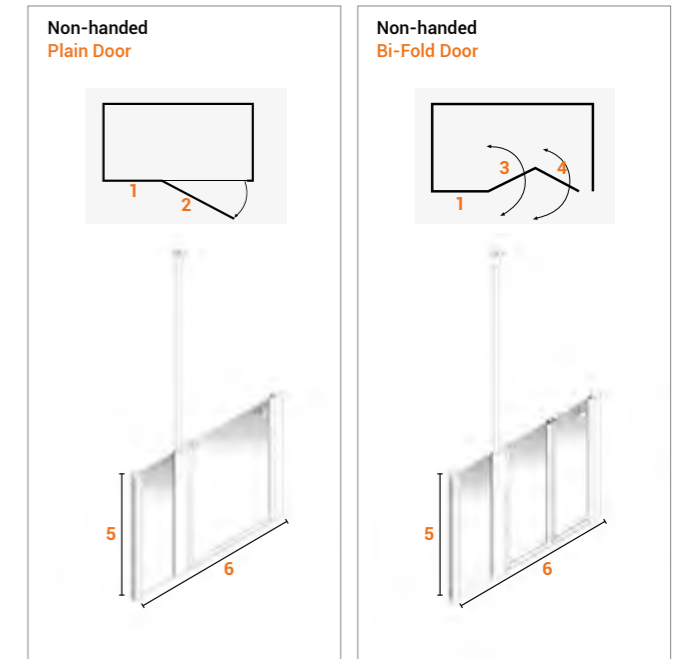
Larenco Alcove Half-Height Door with Inline Panel

Features & Benefits

- + One door with one inline panel
- + Half height
- + Plain and bi-fold door options available
- + Non-handed
- + Suitable for shower trays and wet floors
- + Alcove installation
- + Lightweight, 6mm toughened safety glass
- + Includes floor to ceiling pole
- + No curtain or rail supplied (see [page 239](#))

Specifications

Alcove installation
Non-handed
One door with inline panel
Half-height



⚙️ Dimensions(mm), Size Options & Product Codes:

Shower Tray Size Options:	1	2	3	4	5	6	Plain Door Code:	Bi-Fold Door Code:
1200	417 – 436	690	370	330	900	1154 – 1190	26855	26856
1300	417 – 436	790	420	380	900	1254 – 1290	26860	26861
1400	417 – 436	890	470	430	900	1354 – 1390	27580	27581

All of the ranges can be increased by 20mm by using a wide wall compensator.

Product codes: Full height: **26708**. Half height: **26709**.

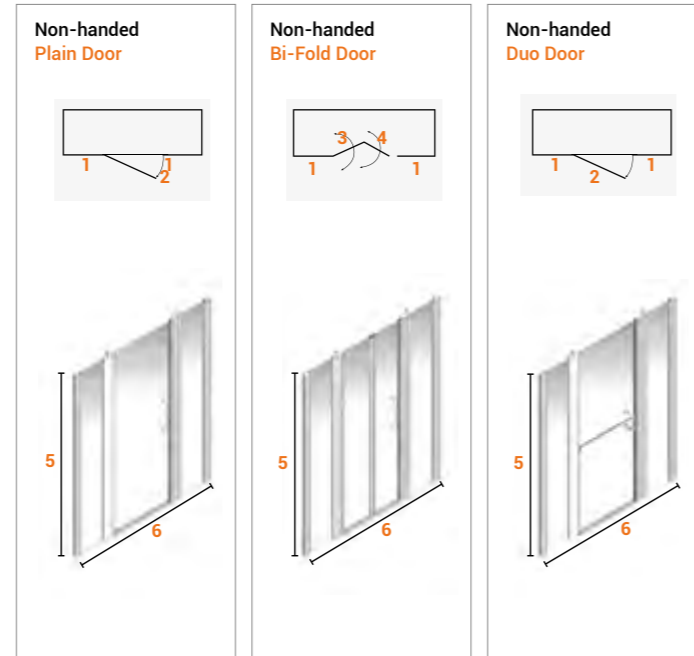
Larenco Alcove Full-Height Door with Two Inline Panels

Features & Benefits

- + Suitable for shower trays and wet floors
- + Plain, bi-fold and duo door options available
- + Lightweight, 6mm toughened safety glass

Specifications

Alcove installation
 Non-handed
 One door with two inline panels
 Full-height



⚙️ Dimensions(mm), Size Options & Product Codes:

Shower Tray Size Options:	1	2	3	4	5	6	Plain Door Code:	Bi-Fold Door Code:	Duo Door Code:
1600	417 – 436	690	370	330	1900	1547 – 1597	–	–	27608
1700	417 – 436	790	420	380	1900	1647 – 1697	27591	27592	27590
1800	417 – 436	890	470	430	1900	1747 – 1797	27596	27597	27595

All of the ranges can be increased by 20mm by using a wide wall compensator.
Product codes: Full height: **26708**. Half height: **26709**.

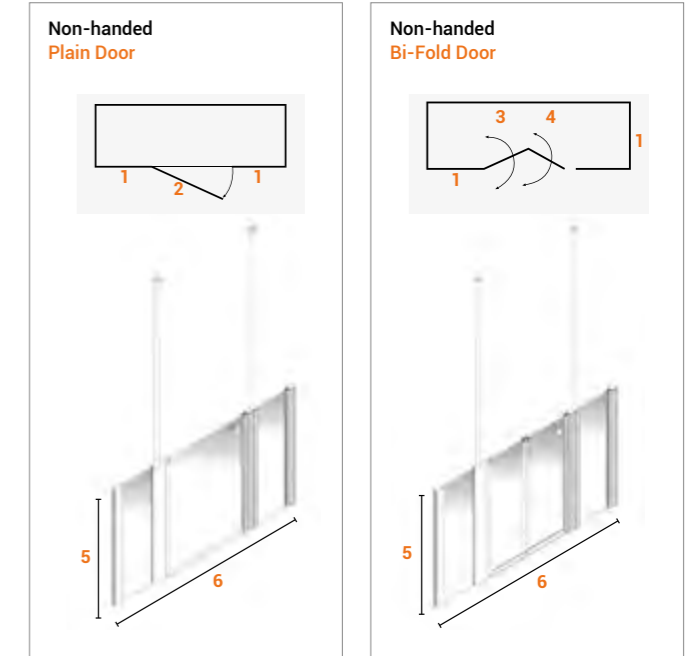
Larenco Alcove Half Height Door with Two Inline Panels

Features & Benefits

- + Suitable for shower trays and wet floors
- + Plain and bi-fold door options available
- + Lightweight, 6mm toughened safety glass
- + No curtain or rail supplied (see page 239)

Specifications

Alcove installation
 Non-handed
 One door with two inline panels
 Half-height



⚙️ Dimensions(mm), Size Options & Product Codes:

Shower Tray Size Options:	1	2	3	4	5	6	Plain Door Code:	Bi-Fold Door Code:
1700	417 – 436	790	420	380	900	1647 – 1697	27593	27594
1800	417 – 436	890	420	430	900	1747 – 1797	27598	27599

All of the ranges can be increased by 20mm by using a wide wall compensator.
Product codes: Full height: **26708**. Half height: **26709**.

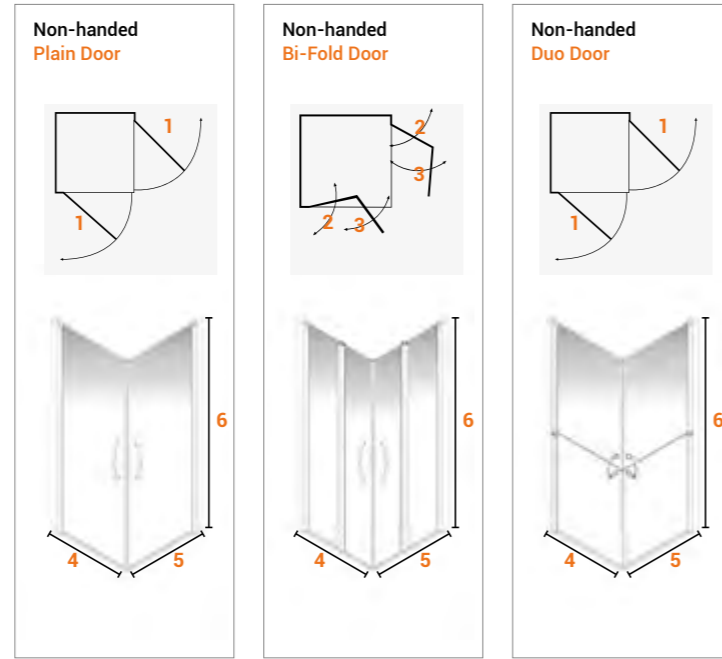
Larenco Corner with Two Full-Height Doors

Features & Benefits

- + Suitable for shower trays and wet floors
- + Plain, bi-fold and duo door options available
- + Lightweight, 6mm toughened safety glass

Specifications

Corner installation
Non-handed
Two Doors
Full-height



⚙️ Dimensions(mm), Size Options & Product Codes:

Shower Tray Size Options:	1	2	3	4	5	6	Plain Door Code:	Bi-Fold Door Code:	Duo Door Code:
760x760	-	350	310	734 - 747	734 - 747	1900	-	26840	-
800x800	690	370	330	774 - 787	774 - 787	1900	26838	26841	26844
800x1000	695/890	-	-	774 - 787	974 - 987	1900	27559	-	-
900x900	790	420	380	874 - 887	874 - 887	1900	26839	26842	26845
1000x800	890/690	-	-	974 - 987	774 - 787	1900	27558	-	-
1000x1000	890	470	430	974 - 987	974 - 987	1900	27566	27614	27565

All of the ranges can be increased by 20mm by using a wide wall compensator.
Product codes: Full height: 26708. Half height: 26709.

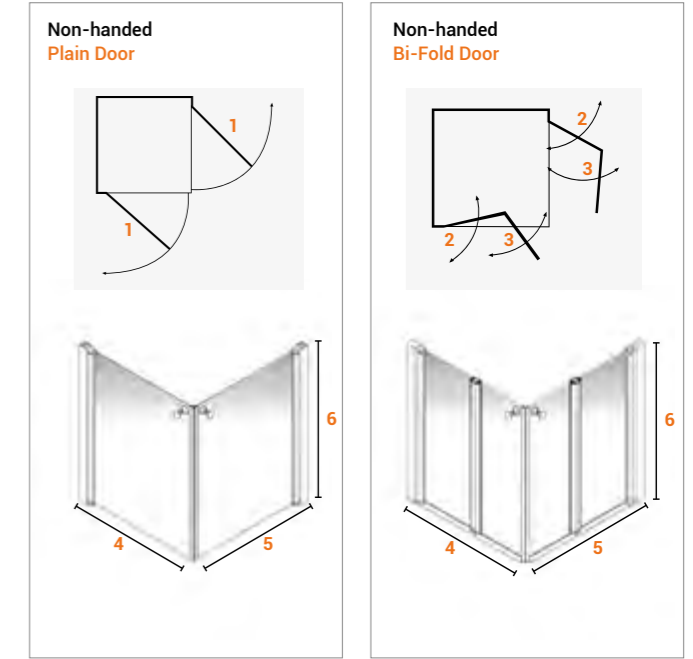
Larenco Corner with Two Half-Height Doors

Features & Benefits

- + Suitable for shower trays and wet floors
- + Plain and bi-fold door options available
- + Lightweight, 6mm toughened safety glass
- + No curtain or rail supplied (see page 239)

Specifications

Corner installation
Non-handed
Two Doors
Half-height



⚙️ Dimensions(mm), Size Options & Product Codes:

Shower Tray Size Options:	1	2	3	4	5	6	Plain Door Code:	Bi-Fold Door Code:
800x800	690	370	330	774 - 787	774 - 787	900	26846	26848
900x900	790	420	380	874 - 887	874 - 887	900	26847	26849
1000x1000	890	470	430	974 - 987	974 - 987	900	27567	27615
1200x1200	-	570	530	1174 - 1187	1174 - 1187	900	-	27571

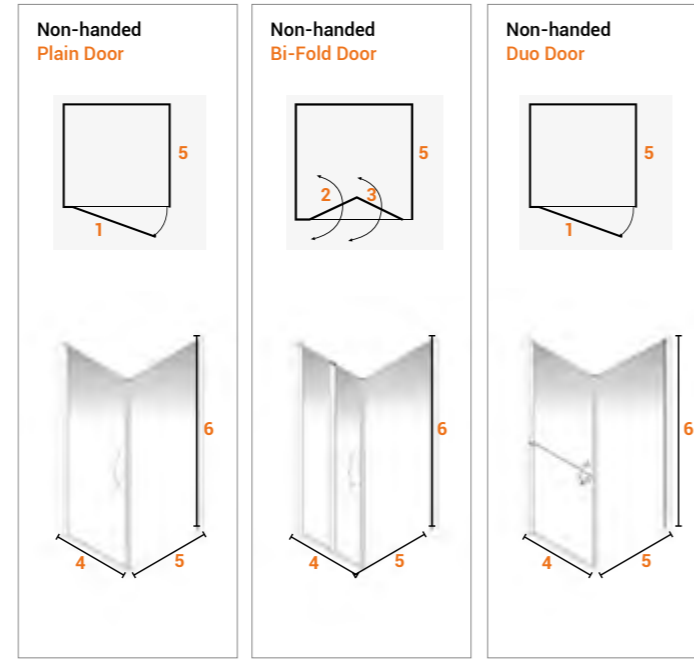
Larenco Corner with Full-Height Door and Side Panel

Features & Benefits

- + Suitable for shower trays and wet floors
- + Plain, bi-fold and duo door options available
- + Lightweight, 6mm toughened safety glass

Specifications

Corner installation
 Non-handed
 One door with a side panel
 Full-height



⚙️ Dimensions(mm), Size Options & Product Codes:

Shower Tray Size Options:	1	2	3	4	5	6	Plain Door Code:	Bi-Fold Door Code:	Duo Door Code:
800x800	690	370	330	783 – 796	776 – 795	1900	26812	26816	26822
800x900	690	370	330	783 – 796	876 – 895	1900	26813	26818	26823
900x800	790	420	380	883 – 896	776 – 795	1900	26814	26819	26824
900x900	790	420	380	883 – 996	876 – 895	1900	26815	26817	26825
1000x700	890	470	430	983 – 996	676 – 695	1900	27554	27555	27553
1000x800	890	470	430	983 – 996	776 – 795	1900	–	26820	–
1000x900	890	470	430	983 – 996	876 – 895	1900	–	26821	–
1000x1000	890	470	430	983 – 996	976 – 995	1900	27561	27562	27560

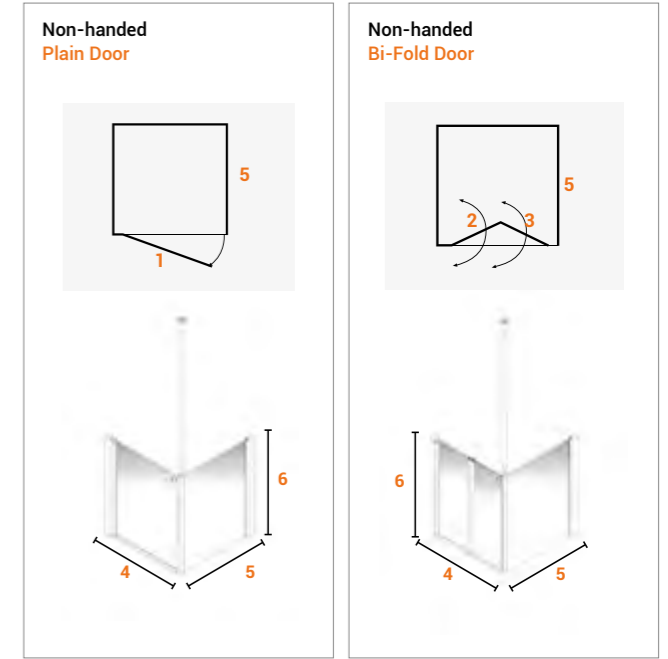
Larenco Corner with Half-Height Door & Side Panel

Features & Benefits

- + Suitable for shower trays and wet floors
- + Plain and bi-fold door options available
- + Lightweight, 6mm toughened safety glass
- + No curtain or rail supplied (see page 239)

Specifications

Corner installation
 Non-handed
 One door with a side panel
 Half-height



⚙️ Dimensions(mm), Size Options & Product Codes:

Shower Tray Size Options:	1	2	3	4	5	6	Plain Door Code:	Bi-Fold Door Code:
800x800	690	370	330	783 – 796	776 – 795	900	26826	26830
800x900	690	370	330	783 – 796	876 – 895	900	26828	26832
900x800	790	420	380	883 – 896	776 – 795	900	26827	26833
900x900	790	420	380	883 – 996	876 – 895	900	26829	26831
1000x700	890	470	430	983 – 996	676 – 695	900	27556	27557
1000x800	890	470	430	983 – 996	776 – 795	900	–	26834
1000x900	890	470	430	983 – 996	876 – 895	900	–	26835
1000x1000	890	470	430	983 – 996	976 – 995	900	27563	27564

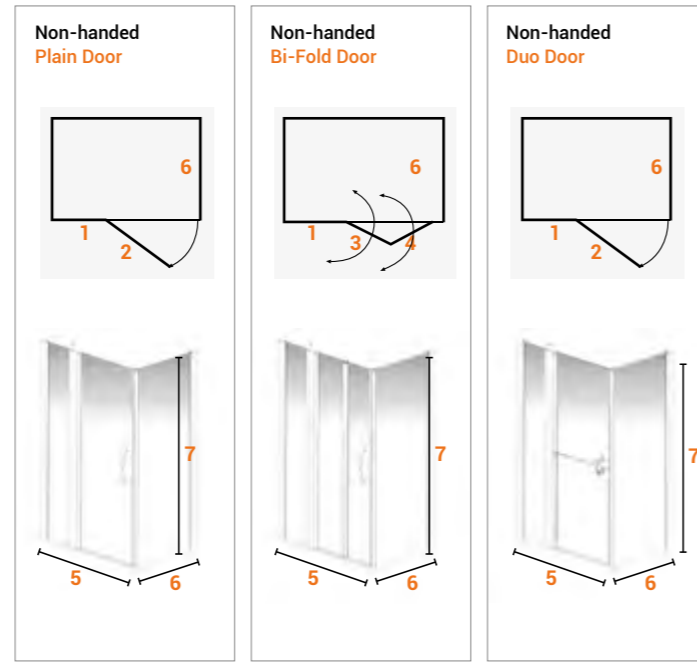
Larenco Corner Full-Height Door, with Inline Panel and Side Panel

Features & Benefits

- + Suitable for shower trays and wet floors
- + Plain, bi-fold and duo door options available
- + Lightweight, 6mm toughened safety glass

Specifications

Corner installation
 Non-handed
 One door with an inline panel and a side panel
 Full-height



⚙️ Dimensions(mm), Size Options & Product Codes:

Shower Tray Size Options:	1	2	3	4	5	6	7	Plain Door Code:	Bi-Fold Door Code:	Duo Door Code:
1200 x 700	417 - 436	690	370	330	1154 - 1186	676 - 695	1900	26862	26865	26868
1200 x 800	417 - 436	690	370	330	1155 - 1186	776 - 795	1900	26863	26866	26869
1200 x 900	417 - 436	690	370	330	1156 - 1186	876 - 895	1900	26864	26867	26870
1300 x 700	417 - 436	790	420	380	1254 - 1286	676 - 695	1900	26877	26880	26883
1300 x 800	417 - 436	790	420	380	1255 - 1286	776 - 795	1900	26878	26881	26884
1300 x 900	417 - 436	790	420	380	1256 - 1286	876 - 895	1900	26879	26882	26885
1400 x 900	417 - 436	890	470	430	1356 - 1386	876 - 895	1900	27583	27584	27582

All of the ranges can be increased by 20mm by using a wide wall compensator.
Product codes: Full height: **26708**. Half height: **26709**.

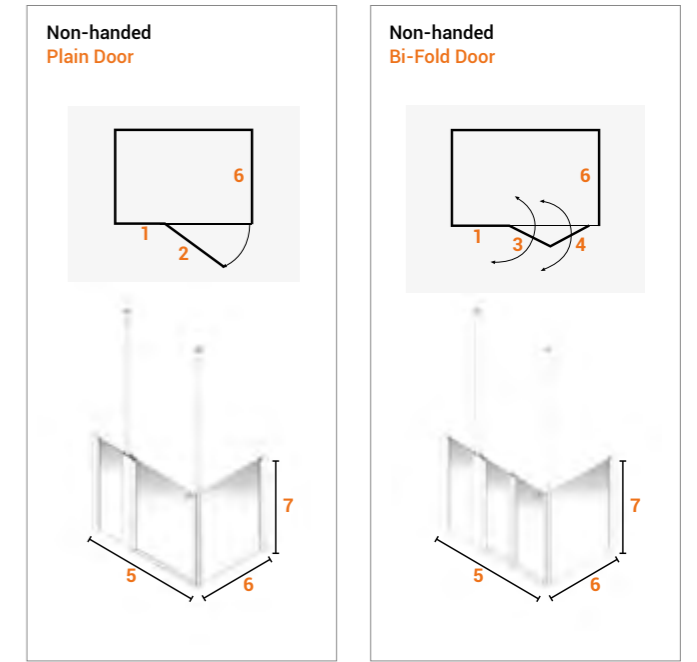
Larenco Corner Half-Height Door, with Inline Panel and Side Panel

Features & Benefits

- + Suitable for shower trays and wet floors
- + Plain and bi-fold door options available
- + Lightweight, 6mm toughened safety glass
- + No curtain or rail supplied (see [page 239](#))

Specifications

Corner installation
 Non-handed
 One door with an inline panel and a side panel
 Half-height



⚙️ Dimensions(mm), Size Options & Product Codes:

Shower Tray Size Options:	1	2	3	4	5	6	7	Plain Door Code:	Bi-Fold Door Code:
1200 x 700	417 - 436	690	370	330	1154 - 1186	676 - 695	900	26871	26874
1200 x 800	417 - 436	690	370	330	1155 - 1186	776 - 795	900	26872	26875
1200 x 900	417 - 436	690	370	330	1156 - 1186	876 - 895	900	26873	26876
1300 x 700	417 - 436	790	420	380	1254 - 1286	676 - 695	900	26886	26889
1300 x 800	417 - 436	790	420	380	1255 - 1286	776 - 795	900	26887	26890
1300 x 900	417 - 436	790	420	380	1256 - 1286	876 - 895	900	26888	26891
1400 x 900	417 - 436	890	470	430	1356 - 1386	876 - 895	900	27585	27586

All of the ranges can be increased by 20mm by using a wide wall compensator.
Product codes: Full height: **26708**. Half height: **26709**.

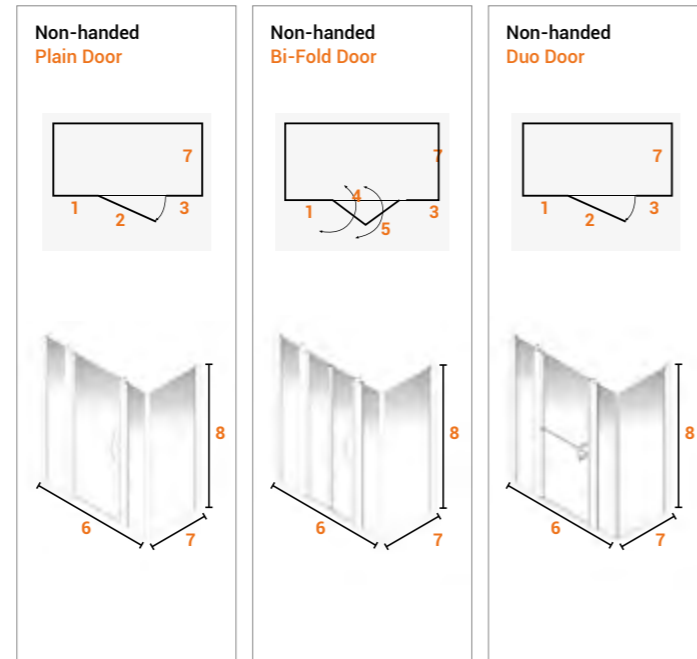
Larenco Corner Full-Height Door, Two Inline Panels and Side Panel

Features & Benefits

- + Suitable for shower trays and wet floors
- + Plain, bi-fold and duo door options available
- + Lightweight, 6mm toughened safety glass

Specifications

Corner installation
 Non-handed
 One door with two inline panels and a side panel
 Full-height



⚙️ Dimensions(mm), Size Options & Product Codes:

Shower Tray Size Options:	1	2	3	4	5	6	7	8	Plain Door Code:	Bi-Fold Door Code:	Duo Door Code:
	1600 x 700	417 - 436	690	401	370	330	1555 - 1590	682 - 700	1900	26892	26901
1600 x 800	417 - 436	690	401	370	330	1555 - 1590	782 - 800	1900	26893	26902	26911
1600 x 900	417 - 436	690	401	370	330	1555 - 1590	882 - 900	1900	26894	26903	26912
1700 x 700	417 - 436	790	401	420	380	1655 - 1690	682 - 700	1900	26895	26904	26913
1700 x 800	417 - 436	790	401	420	380	1655 - 1690	782 - 800	1900	26896	26905	26914
1700 x 900	417 - 436	790	401	420	380	1655 - 1690	882 - 900	1900	26897	26906	26915
1800 x 700	417 - 436	890	401	470	430	1755 - 1790	682 - 700	1900	26898	26907	26916
1800 x 800	417 - 436	890	401	470	430	1755 - 1790	782 - 800	1900	26899	26908	26917
1800 x 900	417 - 436	890	401	470	430	1755 - 1790	882 - 900	1900	26900	26909	26918

All of the ranges can be increased by 20mm by using a wide wall compensator.

Product codes: Full height: **26708**. Half height: **26709**.

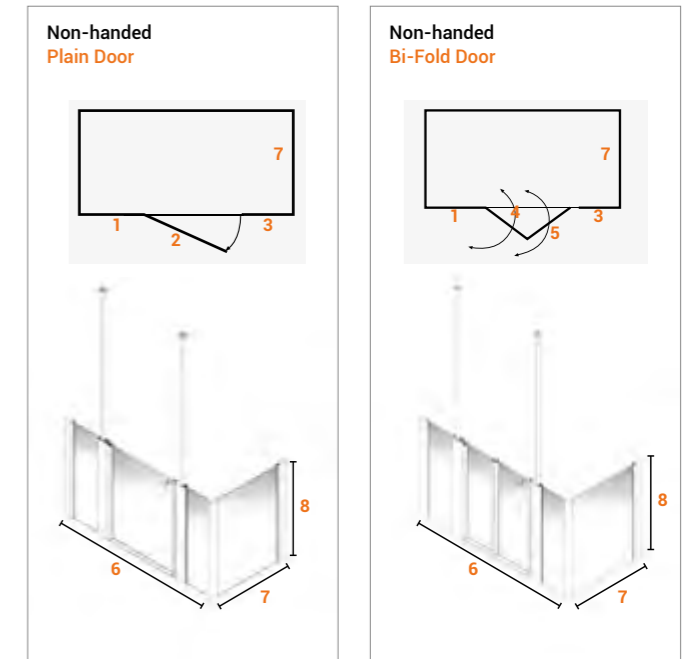
Larenco Corner Half-Height Door, Two Inline Panels and Side Panel

Features & Benefits

- + Suitable for shower trays and wet floors
- + Plain and bi-fold door options available
- + Lightweight, 6mm toughened safety glass
- + No curtain or rail supplied (see page 239)

Specifications

Corner installation
 Non-handed
 One door with two inline panels and a side panel
 Half-height



⚙️ Dimensions(mm), Size Options & Product Codes:

Shower Tray Size Options:	1	2	3	4	5	6	7	8	Plain Door Code:	Bi-Fold Door Code:
	1600 x 700	417 - 436	690	401	370	330	1555 - 1590	682 - 700	900	26919
1600 x 800	417 - 436	690	401	370	330	1555 - 1590	782 - 800	900	26920	26929
1600 x 900	417 - 436	690	401	370	330	1555 - 1590	882 - 900	900	26921	26930
1700 x 700	417 - 436	790	401	420	380	1655 - 1690	682 - 700	900	26922	26931
1700 x 800	417 - 436	790	401	420	380	1655 - 1690	782 - 800	900	26923	26932
1700 x 900	417 - 436	790	401	420	380	1655 - 1690	882 - 900	900	26924	26933
1800 x 700	417 - 436	890	401	470	430	1755 - 1790	682 - 700	900	26925	26934
1800 x 800	417 - 436	890	401	470	430	1755 - 1790	782 - 800	900	26926	26935
1800 x 900	417 - 436	890	401	470	430	1755 - 1790	882 - 900	900	26927	26936

Opulence

The Opulence range of half height shower doors, full height shower enclosures and walk in wet room shower screens take into consideration function, size, accessibility and style. There is an Opulence modern glass shower enclosure to suit all practical requirements for everyday use, and to create luxurious shower retreats.

Each exceptional Opulence shower enclosure is built to last, with polished chrome wall profiles, chrome plated, solid brass 180° rise & fall door hinges and fittings.

- + Half height shower doors are ideal for when the shower user may need some help showering or if they do not want to feel enclosed in a full height shower enclosure
- + Top Bi-fold Stable Door shower enclosure support multigenerational living, catering for different generations with different needs who share the same home & bathroom facilities
- + Shower screens which can be utilised with a grab pole for assistance or a flipper panel to retain splashed water
- + Toughened glass for safety
- + Suitable for all trays depending on tray size
- + Corner or alcove options
- + Lifetime warranty

GD1 Corner Twin Bi-parting Doors

Product Codes		
Screen Size and Handing	Tray or Tiled Flooring	Vinyl Flooring
900 x 900 NH	GD1-90X90-01T	GD1-90x90-01V
1000 x 1000 NH	GD1-10X10-01T	GD1-10X10-01V



GD2 Corner Twin Bi-folding Doors

Product Codes		
Screen Size and Handing	Tray or Tiled Flooring	Vinyl Flooring
900 x 900mm NH	GD2-90X90-01T	GD2-90x90-01V
1000 x 800mm LH	GD2-10X80-01LHT	GD2-10X80-01LHV
1000 x 800mm RH	GD2-10X80-01RHT	GD2-10X80-01RHV
1000 x 1000mm NH	GD2-10X10-01T	GD2-10X10-01V
1200 x 800mm LH	GD2-12X80-02LHT	GD2-12X80-02LHV
1200 x 800mm RH	GD2-12X80-02RHT	GD2-12X80-02RHV
1300 x 800mm LH	GD2-13X80-01LHT	GD2-13X80-01LHV
1300 x 800mm RH	GD2-13X80-01RHT	GD2-13X80-01RHV
1400 x 900mm LH	GD2-14X90-02LHT	GD2-14X90-02LHV
1400 x 900mm RH	GD2-14X90-02RHT	GD2-14X90-02RHV
1500 x 1000mm LH	GD2-15X10-01LHT	GD2-15X10-01LHV
1500 x 1000mm RH	GD2-15X10-01RHT	GD2-15X10-01RHV



GD3 Corner Bi-folding & Bi-parting Doors

Product Codes		
Screen Size and Handing	Tray or Tiled Flooring	Vinyl Flooring
1200 x 800mm LH	GD3-12X80-02LHT	GD3-12X80-02LHV
1200 x 800mm RH	GD3-12X80-02RHT	GD3-12X80-02RHV
1300 x 800mm LH	GD3-13X80-02LHT	GD3-13X80-02LHV
1300 x 800mm RH	GD3-13X80-02RHT	GD3-13X80-02RHV
1400 x 900mm LH	GD3-14X90-01LHT	GD3-14X90-01LHV
1400 x 900mm RH	GD3-14X90-01RHT	GD3-14X90-01RHV
1500 x 800mm LH	GD3-15X80-01LHT	GD3-15X80-01LHV
1500 x 800mm RH	GD3-15X80-01RHT	GD3-15X80-01RHV



GD4 Corner Bi-folding Door & Return Panel

Product Codes		
Screen Size and Handing	Tray or Tiled Flooring	Vinyl Flooring
1200 x 700mm LH	GD4-12X70-02LHT	GD4-12X70-02LHV
1200 x 700mm RH	GD4-12X70-02RHT	GD4-12X70-02RHV
1200 x 800mm LH	GD4-12X80-02LHT	GD4-12X80-02LHV
1200 x 800mm RH	GD4-12X80-02RHT	GD4-12X80-02RHV
1300 x 800mm LH	GD4-13X80-01LHT	GD4-13X80-01LHV
1300 x 800mm RH	GD4-13X80-01RHT	GD4-13X80-01RHV
1400 x 700mm LH	GD4-14X70-01LHT	GD4-14X70-01LHV
1400 x 700mm RH	GD4-14X70-01RHT	GD4-14X70-01RHV
1400 x 900mm LH	GD4-14X90-01LHT	GD4-14X90-01LHV
1400 x 900mm RH	GD4-14X90-01RHT	GD4-14X90-01RHV



GD5 Alcove Bi-parting Doors

Product Codes		
Screen Size and Handing	Tray or Tiled Flooring	Vinyl Flooring
1300mm	GD5-13-07T	GD5-13-07V
1500mm	GD5-15-01T	GD5-15-01V
1700mm	GD5-17-01T	GD5-17-01V



GD6 Alcove Bi-folding Door & Fixed Panel

Product Codes		
Screen Size and Handing	Tray or Tiled Flooring	Vinyl Flooring
1300mm LH	GD6-13-07LHT	GD6-13-07LHV
1300mm RH	GD6-13-07RHT	GD6-13-07RHV
1500mm LH	GD6-15-02LHT	GD6-15-02LHV
1500mm RH	GD6-15-02RHT	GD6-15-02RHV
1700mm LH	GD6-17-05LHT	GD6-17-05LHV
1700mm RH	GD6-17-05RHT	GD6-17-05RHV



GD7 Alcove Bi-folding Doors

Product Codes		
Screen Size and Handing	Tray or Tiled Flooring	Vinyl Flooring
1600mm NH	GD7-16-01T	GD7-16-01V
1700mm NH	GD7-17-02T	GD7-17-02V
1800mm NH	GD7-18-02T	GD7-18-02V



GD8 Half Height Shower Screen

Product Codes		
Screen Size and Handing	Tray or Tiled Flooring	Vinyl Flooring
300mm NH	GD8-30-01T	GD8-30-01V
700mm NH	GD8-70-01T	GD8-70-01V
800mm NH	GD8-80-01T	GD8-80-01V
900mm NT	GD8-90-01T	GD8-90-01V



Latch Half Height

Product Code	
Latch Half Height	09HHLAT



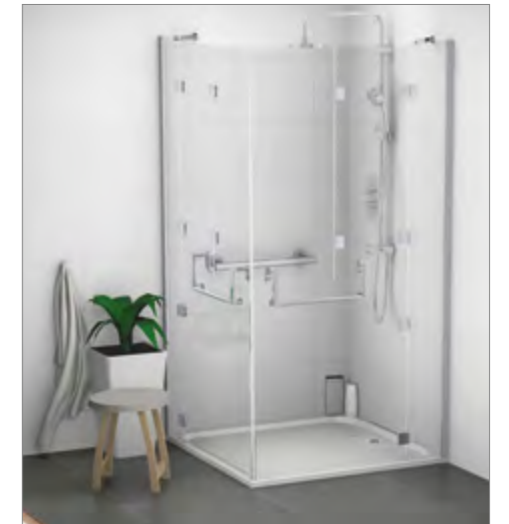
GD50 Top Bi-fold Corner Stable Door & Fixed Panel

Product Codes		
Screen Size and Handing	Tray or Tiled Flooring	Vinyl Flooring
1000 x 1000mm LH	GD50-10X10-01LHT	GD50-10X10-01LHV
1000 x 1000mm RH	GD50-10X10-01RHT	GD50-10X10-01RHV
1100 x 800mm LH	GD50-11X80-01LHT	GD50-11X80-01LHV
1100 x 800mm RH	GD50-11X80-01RHT	GD50-11X80-01RHV
1200 x 700mm LH	GD50-12X70-01LHT	GD50-12X70-01LHV
1200 x 700mm RH	GD50-12X70-01RHT	GD50-12X70-01RHV
1200 x 800mm LH	GD50-12X80-01LHT	GD50-12X80-01LHV
1200 x 800mm RH	GD50-12X80-01RHT	GD50-12X80-01RHV
1200 x 900mm LH	GD50-12X90-01LHT	GD50-12X90-01LHV
1200 x 900mm RH	GD50-12X90-01RHT	GD50-12X90-01RHV
1300 x 800mm LH	GD50-13x80-01LHT	GD50-13x80-01LHV
1300 x 800mm RH	GD50-13x80-01RHT	GD50-13x80-01RHV
1400 x 800mm LH	GD50-14x80-01LHT	GD50-14x80-01LHV
1400 x 800mm RH	GD50-14x80-01RHT	GD50-14x80-01RHV
1400 x 900mm LH	GD50-14X90-01LHT	GD50-14X90-01LHV
1400 x 900mm RH	GD50-14X90-01RHT	GD50-14X90-01RHV
1500 x 900mm LH	GD50-15X90-01LHT	GD50-15X90-01LHV
1500 x 900mm RH	GD50-15X90-01RHT	GD50-15X90-01RHV



GD51 Twin Top Bi-fold Corner Stable Door Enclosure

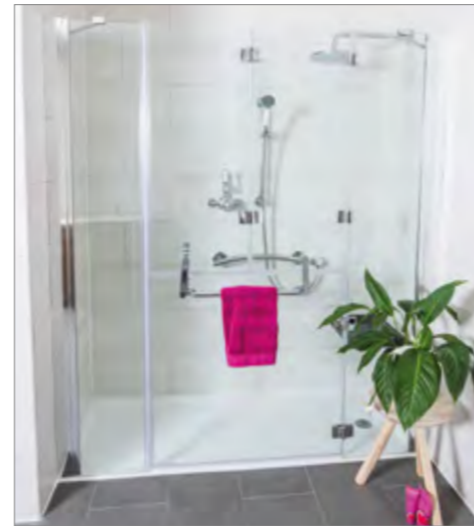
Product Codes		
Screen Size and Handing	Tray or Tiled Flooring	Vinyl Flooring
1000mm x 1000mm NH	GD51-10X10-01T	GD51-10X10-01V
1200mm x 1000mm LH	GD51-12x10-01LHT	GD51-12x10-01LHV
1200mm x 1000mm RH	GD51-12x10-01RHT	GD51-12x10-01RHV
1200mm x 1200mm NH	GD51-12X12-01T	GD51-12X12-01V
1500mm x 1000mm LH	GD51-15x10-01LHT	GD51-15x10-01LHV
1500mm x 1000mm RH	GD51-15x10-01RHT	GD51-15x10-01RHV



GD52 Alcove Top Bi-fold Stable Door & Fixed Panel

Product Codes

Screen Size and Handing	Tray or Tiled Flooring	Vinyl Flooring
1500mm LH	GD52-15-01LHT	GD52-15-01LHV
1500mm RH	GD52-15-01RHT	GD52-15-01RHV



GD53 Full Height Glass Screen

- + Unique telescopic, wall fixed tie bar can be adjusted between 700 – 1200mm (Supplied with a compensator)
- + 45° stabiliser available as an alternative to a tie bar, or if you wish to add a return/end panel
- + Compatible with 300mm Flipper Panel or Floor-to-Ceiling Grab Pole.



Product Codes

Screen Size and Handing	Tray or Tiled Flooring	Vinyl Flooring
700mm wide	GD53-70T	GD53-70V
800mm wide	GD53-80T	GD53-80V
900mm wide	GD53-90T	GD53-90V
1000mm wide	GD53-10T	GD53-10V

Related Products

45 Deg Stabiliser Wall Bracket For Opulence Full Height Shower Screens	ZZ09FH-001
Tie Bar Adjustable 690-1200mm	09GS-021

300mm Flipper Panel

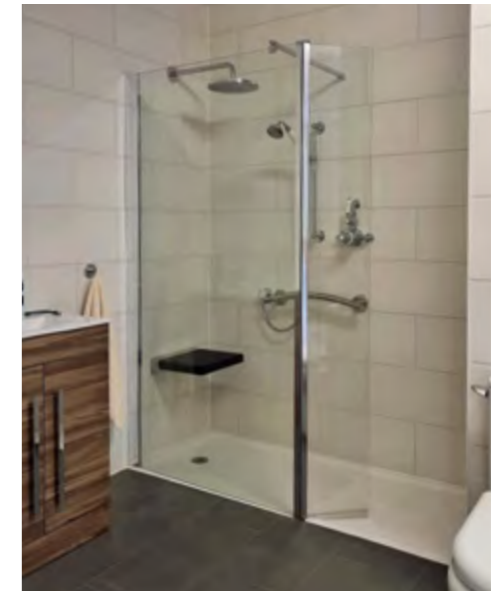
Features & Benefits

- + Designed to act as a shower deflector panel to minimise water spray outside the shower area
- + Toughened safety glass: 6mm
- + Assembly overall width: 310mm wide (Glass width with hinged profile: 260mm)
- + Overall assembly height: 1900mm (Glass height: 1875mm)
- + Clear bottom protective seal
- + Finish: Satin chrome polished
- + Hinged profile pivots through 250°
- + Easy clean glass helps keep the glass like new and reduces staining inbetween cleaning
- + Universal design for left or right hand installation
- + Ideal for use or retro-fitting to an Opulence Wet Room Shower Screen or similar plain edged, 8mm shower screen

Product Code

300mm flipper panel

09FH-300FP

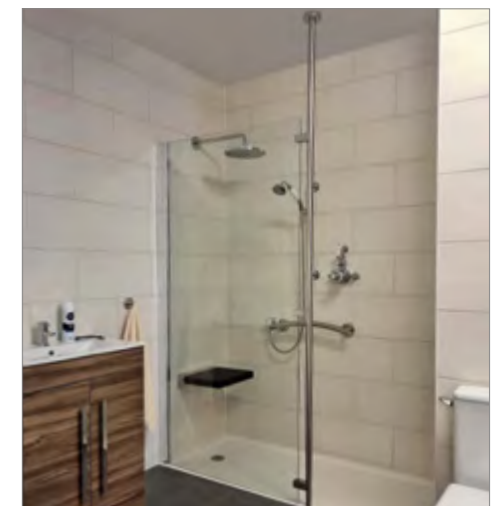


Plan view of flipper panel
Left hand corner illustrated
Shower screen supplied separately

Floor to Ceiling Grab Pole

Features & Benefits

- + Connects to the glass shower screen to act as a grab rail & provide additional stability for a user when entering or exiting the shower area
- + 32mm diameter, cut to length, stainless steel
- + 2500mm length option available
- + Solid brass, chrome plated lugs are rebated to accept an 8mm shower screen
- + UKCA & CE Approved as a grab rail
- + Internal floor fixing & external ceiling fixing with 80mm diameter shroud
- + Gap between floor to ceiling grab pole and screen edge: 40mm
- + Ideal for use or retro-fitting to an Opulence Wet Room Shower Screen or similar plain edged, 8mm shower screen
- + Projection from edge of glass shower screen to outer edge of pole = 72mm
- + Can be cut to required floor to ceiling height (cut from the top down)



Grab pole illustrated with shower screen, left hand corner illustrated
Shower screen supplied separately

Product Code

2500mm Floor-to-Ceiling Grab Pole

GD-GP



Level Best

A single wall-mounted glass screen that can be used in a wet room or with a tray installation, adding a stylish finish to your bathroom.

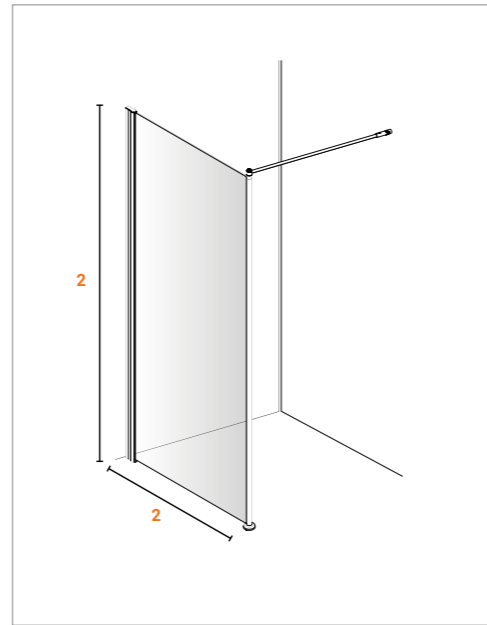
- + Simple, single panel glass screen
- + Available with a deflector panel for water retention
- + Strong, 6mm toughened glass for increased safety
- + Can be used with a shower tray or in a wet room
- + Lifetime warranty

Level Best: Option GA



Features & Benefits

- + Compatible with wet floors and vinyl flooring
- + Offers a wider choice in creating a modern bathroom
- + Corner radius blocks can be cut to accommodate vinyl flooring curvature
- + Silver chrome finish aluminium or black frame offers a stylish finish to any bathroom
- + 6mm toughened glass offers safety and peace of mind
- + 18mm compensator adjustment on wall fixing designed to accommodate uneven walls
- + Stay clear coating on both sides means that the glass is easier to clean, remains cleaner for longer and has reduced growth of bacteria
- + Supplied with a 1400mm trimmable link bar



⚙️ Dimensions(mm), Size Options & Product Codes:

Level Best Screen Chrome	1	2	Code:
Will fit most tray sizes*	700	1900	LB00215
	800	1900	LB00216
	900	1900	LB00217
	1000	1900	LB00218

Level Best Screen Black	1	2	Code:
Will fit most trays sizes**	800	1900	LB00216BK
	900	1900	LB00217BK
	1000	1900	LB00218BK

Accessories:	Code:
1200 Link Bar	10-010-841

For Level Best and Level Best Deflector:	
Glass Screen 1200mm Long Link Bar + Wall Brace Kit	LB00166
Glass Screen 1200mm Long Link Bar + Wall Brace Kit - Black	LB00166BK

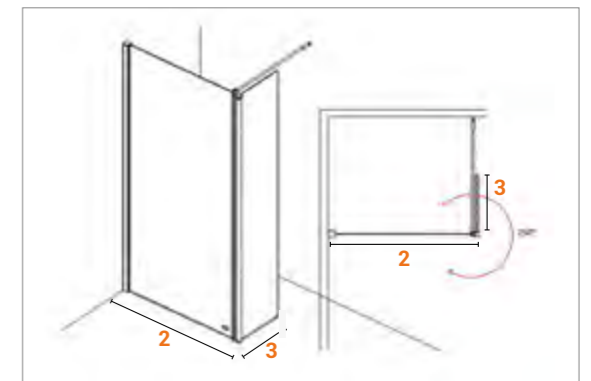
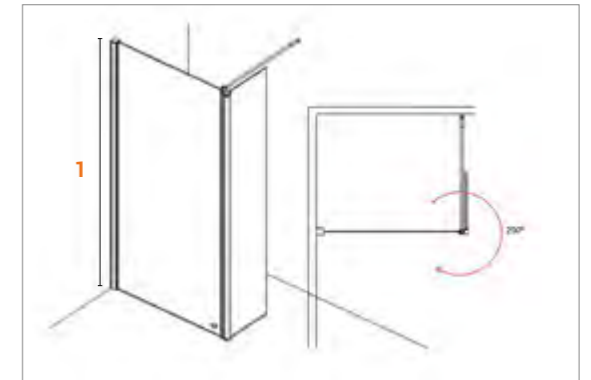
*Tray must be longer than screen ordered. **Dimension range is -0/+18mm.

Level Best: Glass Deflector Screen



Features & Benefits

- + Compatible with wet floors and vinyl flooring
- + Offers a wider choice in creating a modern bathroom
- + Corner radius blocks can be cut to accommodate vinyl flooring curvature
- + Silver chrome finish aluminium frame or black frame offers a stylish finish to any bathroom
- + 6mm toughened glass offers safety and peace of mind
- + 18mm compensator adjustment on wall fixing designed to accommodate uneven walls
- + Stay clear coating on both sides (doesn't apply to black screen option) means that the glass is easier to clean, remains cleaner for longer and has reduced growth of bacteria
- + Deflector screen creates an added water barrier for protection
- + Rising butt hinge ensure easy opening and closing of the panel which rotates 250° and locks at 90° on each side
- + Supplied with a 1400mm trimmable link bar



Deflector panel can not be retro-fitted.

⚙️ Dimensions(mm), Size Options & Product Codes:

Level Best Glass Deflector Screen – Chrome	1	2	3	Code:
Will fit most tray sizes	1900	700	350	27020
	1900	800	350	27021
	1900	900	350	27022
	1900	1000	350	27028

Level Best Glass Deflector Screen – Black	1	2	Code:
Will fit most tray sizes*	1900	800 + 400 Deflector	27018BK
	1900	900 + 400 Deflector	27031BK
	1900	1000 + 400 Deflector	27017BK

Screens are not coated

Accessories:	Code:
LB Deflector to Ceiling Kit - Chrome	15-010-099

*Tray must be longer than screen ordered. **Dimension range is -0/+18mm.

Standard

All our standard shower screens are designed specifically for the mobility and domestic markets and are both extremely practical and stylish. Screens include 180° rising butt hinges and 360° bi-fold hinge.

- + 360° Bi-fold doors maximise access by opening inward and outwards
- + PET frosted panels provide shatterproof glazing and added safety
- + Multiple configurations available to accommodate every application
- + Doors are easy to operate with rising butt hinges
- + In addition to standard screens, AKW offer a made-to-measure screen service and can manufacture almost any screen combination to your requirements
- + Lifetime warranty


WF For Contour screen option equivalents look out for this blue icon

AKW Standard Shower Screens

AKW Silverdale® Shower Screens

 A Shower Screen page 195	 B Shower Screen page 196	 BF Shower Screen page 197	 BW Wet Floor Screen page 196	 C Shower Screen page 198
 E5 Shower Screen page 204	 EW Wet Floor Screen page 200	 EW5 Wet Floor Screen page 204	 H Shower Screen page 206	 HF Shower Screen page 206
 J Shower Screen page 210	 K Shower Screen page 211	 M Shower Screen page 212	 MW Wet Floor Screen page 213	 N Shower Screen page 215
 PW Wet Floor Screen page 217	 Q Shower Screen page 218	 TT Shower Screen page 219	 TTW Wet Floor Screen page 219	 U Shower Screen page 220
 XF Shower Screen page 223	 XW Wet Floor Screen page 223	 Y Shower Screen page 224	 YF Shower Screen page 225	 Z Shower Screen page 226

 D Shower Screen page 199	 E Shower Screen page 200	 A Shower Screen page 195	 B Shower Screen page 197	 E Shower Screen page 200
 HW Wet Floor Screen page 206	 HFW Wet Floor Screen page 206	 EW Wet Floor Screen page 200	 HF Wet Floor Screen page 206	 HFW Wet Floor Screen page 206
 NW Wet Floor Screen page 215	 P Shower Screen page 217	 M Wet Floor Screen page 213	 MW Shower Screen page 213	 N Shower Screen page 215
 UW Wet Floor Screen page 221	 X Shower Screen page 223	 NW Wet Floor Screen page 215	 TT Shower Screen page 219	 X Shower Screen page 223
 ZUW Wet Floor Screen page 227	 ZW Wet Floor Screen page 227	 XF Wet Floor Screen page 223	 Y Wet Floor Screen page 224	 WF Contour Screen Equivalent

 Dimensions, Size Options & Product Code

WF Screen table

WF1	Option A or MM3 (Corner Bifold, Single Door Return)
WF2	MM2 (Corner Single Door, Single Door Return)
WF3	Option E or MM4 (Corner, Twin Bifold)
WF4	Option E5 or MM5 (Corner Trifold, Bifold Return)
WF5	Option SE
WF6	MM4 (Corner Fixed Panel, Post, Wrap Around Bifold Door, Fixed Return)
WF7	MM3 (Corner Fixed Panel, Bifold Return)
WF8	MM3 (Corner Fixed Panel, Post, Single Door, Single Door Return)
WF9	Option B or MM4 (Corner Fixed Panel, Post, Single Door, Bifold Return)
WF10	MM4 (Corner Fixed Panel, Post, Wrap Around Door, Bifold Door Return)
WF11	MM3 (Corner Fixed Panel, Upright Pole, Single Door, Single Door Return)
WF12	Option X or MM5 (Corner Fixed Panel, Upright Pole, Bifold Door, Bifold Door Return)
WF13	MM4 (Corner Fixed Panel, Upright Pole, Wrap Around Door, Bifold Door Return)
WF14	MM1 (Alcove Single Door)
WF15	Option M or MM2 (Alcove Bipart Door)
WF16	MM2 (Alcove Single Bifold Door)
WF17	MM3 (Alcove Bifold Door, Single Door)
WF18	MM3 (Alcove Single Trifold Door)
WF19	Option N or MM4 (Alcove Double Bifold Doors)
WF20	Option SM
WF21	Option J or MM2 (Alcove Fixed Panel, Upright Pole, Single Door)
WF22	Option U or MM3 (Alcove Fixed Panel, Upright Pole, Bipart Door)
WF23	MM2 (Alcove Fixed panel, Upright Pole, Door Closing to Wall)
WF24	Option Z or MM3 (Alcove Fixed Panel, Upright Pole, Bifold Door)
WF25	MM3 (Alcove Fixed Panel, Upright Pole, Bifold Door Closing to Wall)
WF26	MM4 (Alcove Fixed Panel, Upright Pole, Centralised Bipart Door, Upright Pole, Fixed Panel)
WF27	Option SJ
WF28	Option Q or MM3 (Corner Single Door, Upright Pole, Fixed Panel, Fixed Return)
WF29	MM2 (Corner Single Door, Upright Pole, Fixed Return)
WF30	Option C or MM3 (Corner Bipart Door, Upright Pole, Fixed Return)
WF31	MM3 (Corner Bifold, Upright Pole, Fixed Return)
WF32	Option K or MM5 (Corner Twin Bifold, Upright Pole, Fixed Return)
WF33	MM4 (Corner Fixed Panel, Upright Pole, Bifold Door, Upright Pole, Fixed Return)
WF34	Option Y or MM4 (Corner Fixed Panel, Upright Pole, Bipart Door, Upright Pole, Fixed Return)
WF35	MM5 (Alcove Fixed Panel, Upright Pole, Twin Bifold Doors)
WFX	Option HF or MM1 (Full Height Fixed Panel, Upright Pole)
WFY	Option H or MM1 (Half Height Fixed Panel, Upright Pole)



Made-to-measure screens

In addition to standard screens, AKW offer a made-to-measure screen service and can manufacture almost any screen combination to your requirements. Below are illustrations of some of the more typical requirements. Shower curtains, rails and poles are also made to measure, and can be ordered at the length and height required.

i Specifying made-to-measure shower screens

When specifying for AKW trays, please state:

- + Tray type
- + Tray size
- + Tray handing (if any)
- + Accurate drawing (giving measurements for panel and post sizes or door entry width)

When specifying for wet floor areas, consider:

- + Rise and fall hinges to clear the floor
- + Corner blocks. Trim on site to fit the corner radius on safety flooring
- + Accurate drawing required

When specifying for wall-to-wall screens, we need:

- + Wall-to-wall measurements at floor height and at the screen height (750mm, 900mm or 1880mm), after completion of wall tiling

i Ordering made-to-measure shower screens

01905 823 299

01905 823 297

orders@akw-ltd.co.uk

AKW can make special screens to fit safety floors or any of our trays. Alternatively if you require a different screen configuration and can provide us with an accurate drawing, we will be able to quote for individual requirements.

Note: Made-to-measure screens are non-returnable and non-refundable.

Download the **made-to-measure order form:**



Option MM1/MM1F

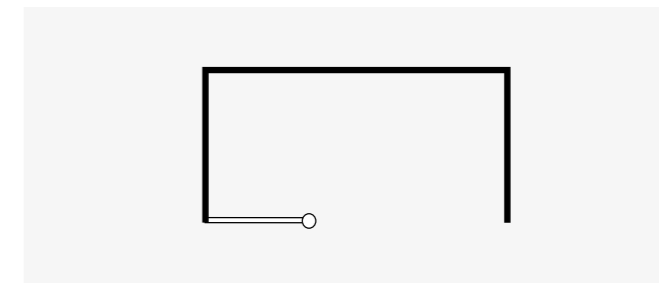
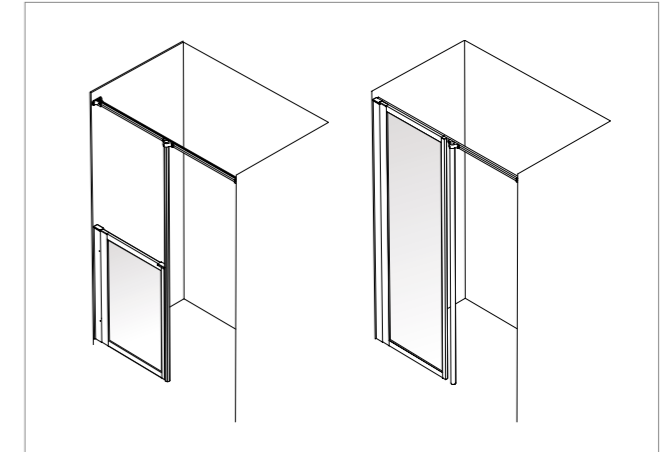
Features & Benefits

- + One part door or panel
- + Various sizes and configurations available
- + Half (MM1) and full-height (MM1F) options available

Product Codes

Half-height M-to-M Screen MM1	91160
Full-height M-to-M Screen MM1F	91161
Half-height M-to-M Silverdale® Screen MM1	91160S
Full-height M-to-M Silverdale® Screen MM1F	91161S

WF MM1 / MM1F can be used for the following Contour screen options: WF14, WFX, WFY



Option MM2/MM2F

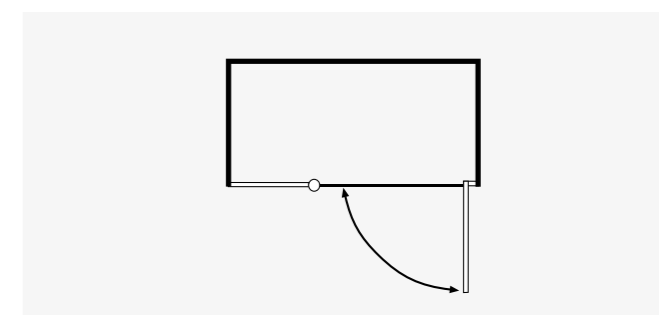
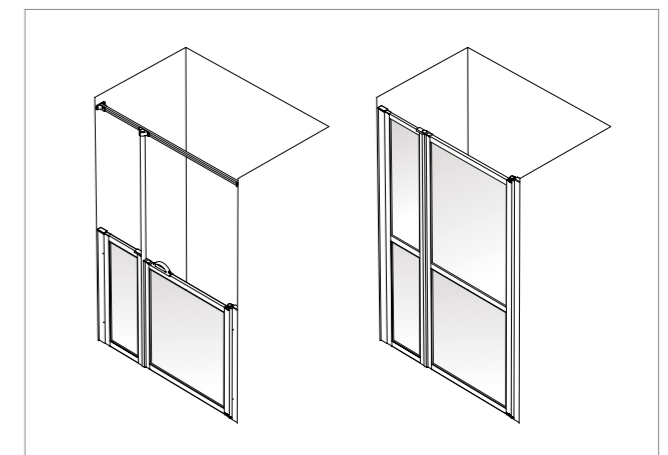
Features & Benefits

- + Two part doors or panels
- + Various sizes and configurations available
- + Half (MM2) and full-height (MM2F) options available

Product Codes

Half-height M-to-M Screen MM2	91162
Full-height M-to-M Screen MM2F	91163
Half-height M-to-M Silverdale® Screen MM2	91162S
Full-height M-to-M Silverdale® Screen MM2F	91163S

WF MM2 / MM2F can be used for the following Contour screen options: WF2, WF15, WF16, WF21, WF23, WF29



Option MM3/MM3F

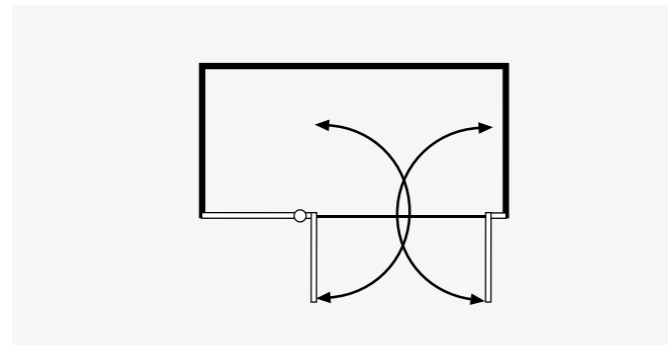
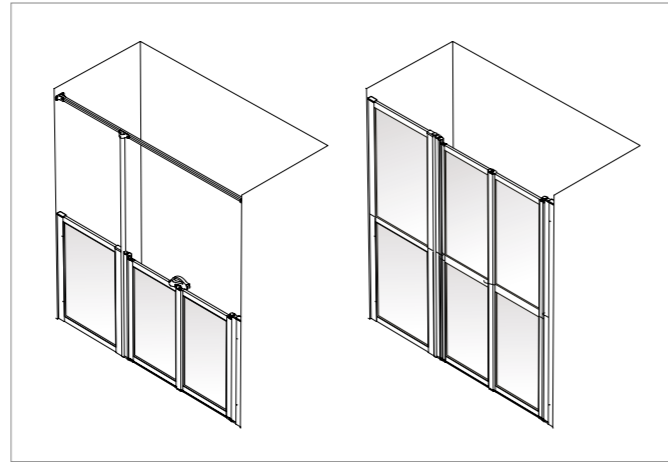
Features & Benefits

- + Three sections using doors or panels
- + Various sizes and configurations available
- + Half (MM3) and full-height (MM3F) options available

Product Codes

Half-height M-to-M Screen MM3	91164
Full-height M-to-M Screen MM3F	91165
Half-height M-to-M Silverdale® Screen MM3	91164S
Full-height M-to-M Silverdale® Screen MM3F	91165S

WF MM3/MM3F can be used for the following Contour screen options: WF1, WF7, WF8, WF11, WF17, WF18, WF22, WF25, WF28, WF30, WF31



Option MM4

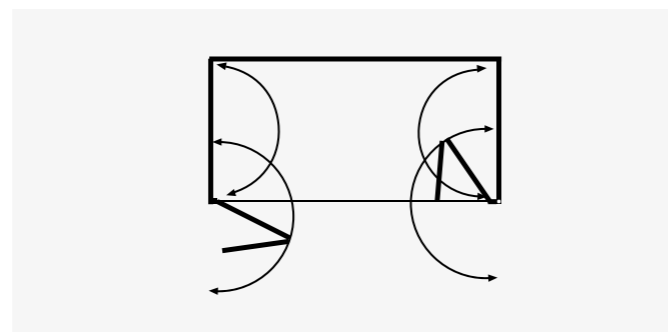
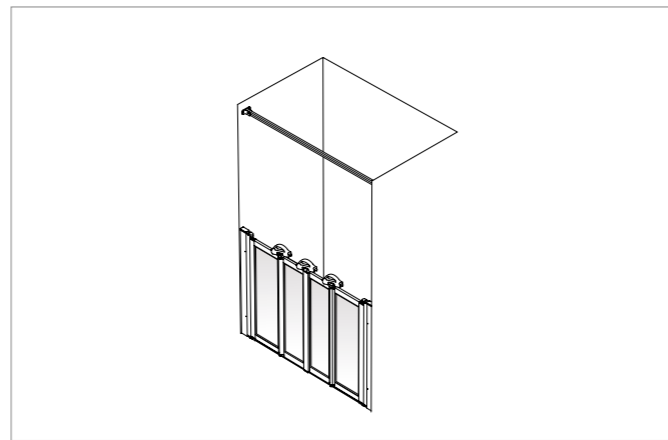
Features & Benefits

- + Four part using doors or panels
- + Various sizes and configurations available
- + Bi-fold only available at half-height
- + Minimum width: 1160mm

Product Codes

Half-height M-to-M Screen MM4	91166
Half-height M-to-M Silverdale® Screen MM4	91166S

WF MM4 can be used for the following Contour screen options: WF3, WF6, WF9, WF10, WF13, WF19, WF26, WF33, WF34



Option MM5

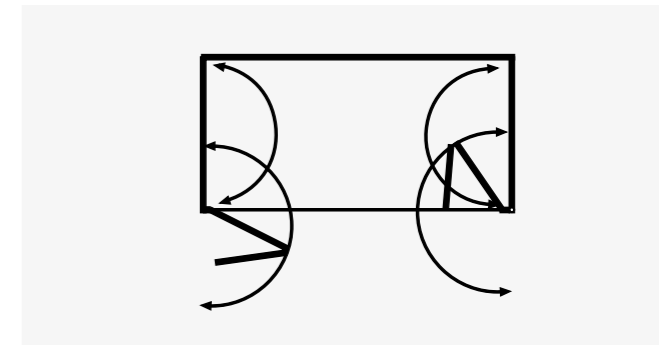
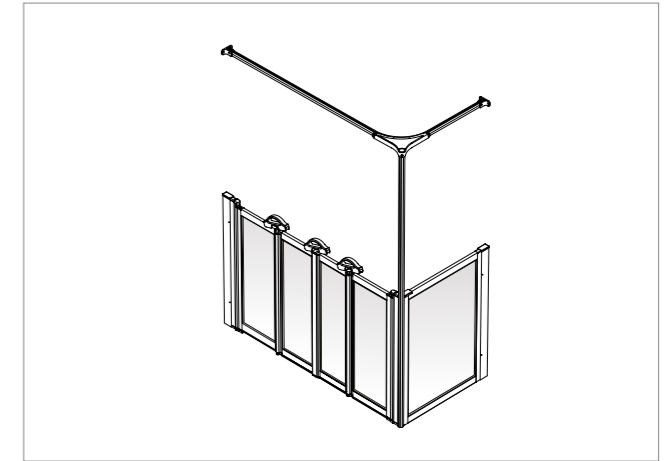
Features & Benefits

- + Five parts using doors or panels
- + Various sizes and configurations available
- + Bi-fold only available at half-height
- + Minimum width: 1160mm

Product Codes

Half-height M-to-M Screen MM5	91167
Half-height M-to-M Silverdale® Screen MM5	91167S

WF MM5 can be used for the following Contour Screen options: WF4, WF12, WF32



Made to Measure Screen Limitations/Exceptions

We can make almost any configuration required. Scan the QR code to the right to view the limitations and exceptions.



Download the **made-to-measure order form:**





Standard Shower Screens



Silverdale® Shower Screens

Standard: Option A



Features & Benefits

- + Bi-fold door to '1/2' side opening in/out
- + Single door to '3' side opening in and out
- + Handed
- + Suitable for shower trays

Specifications

L-shaped curtain rail supplied

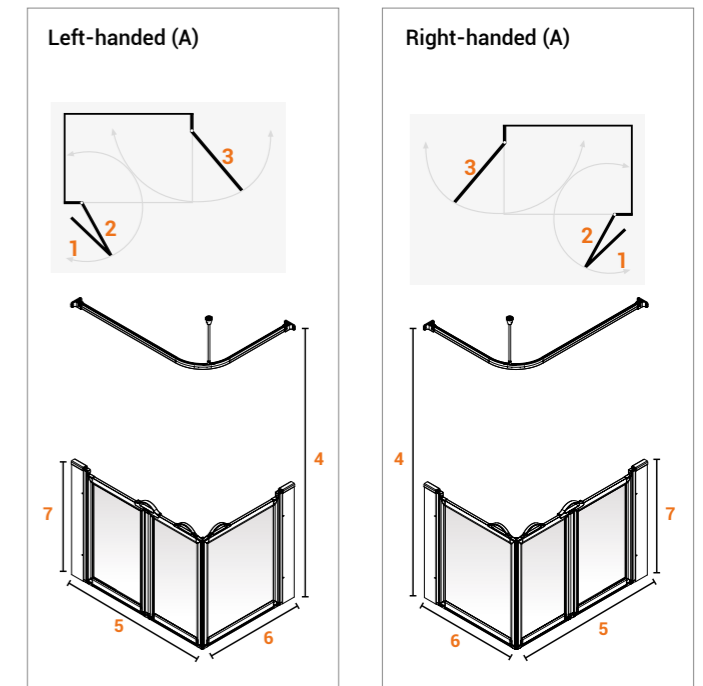
Latch and handles are included with Option A screens

Drop rod is 600mm

1800mm wide x 2000mm drop curtains supplied

Contour Screen Equivalent:

WF1



SCREENS

⚙️ Dimensions(mm), Size Options & Product Codes:

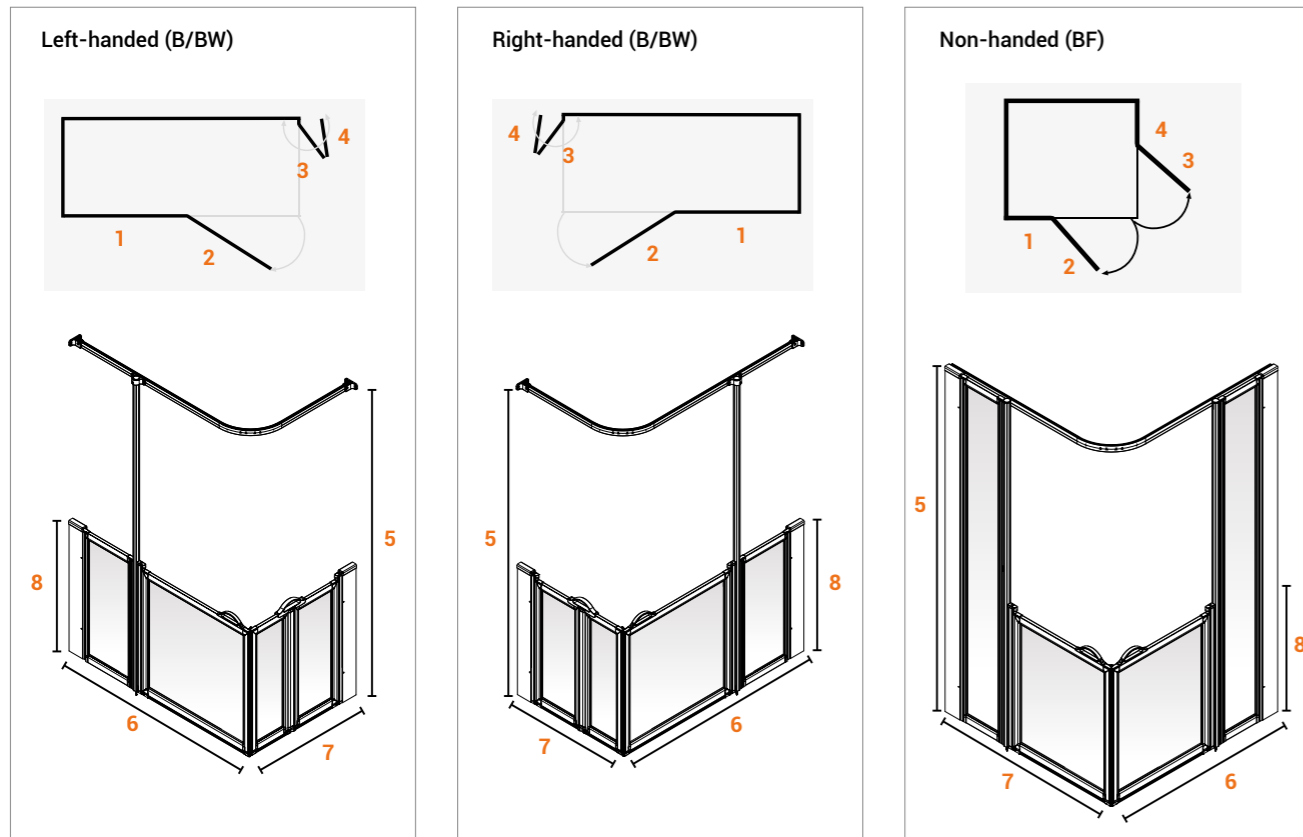
Option A Standard	1	2	3	4	5	6	7	
							750mm	900mm
1000 x 700	432	477	615	1880	1000	700	91001L/R	91002L/R
1200 x 700	532	577	615	1880	1200	700	91003L/R	91004L/R
1200 x 760	532	577	615	1880	1200	760	91188L/R	91189L/R
1300 x 700	582	627	615	1880	1300	700	91005L/R	91006L/R
Option A Silverdale®	1	2	3	4	5	6	7	
							750mm	900mm
1000 x 700	432	477	615	1880	1000	700	91001LSC/F/ 91001RSC/F	91002LSC/F/ 91002RSC/F
1200 x 700	532	577	615	1880	1200	700	91003LSC/F/ 91003RSC/F	91004LSC/F/ 91004RSC/F
1300 x 700	582	627	615	1880	1300	700	91005LSC/F/ 91005RSC/F	91006LSC/F/ 91006RSC/F

Please note: Compensators are set at mid point giving 14.5mm in and out adjustment on both sides. **Extra wide compensators are not available for Silverdale® screens.** L/R in the product code denotes whether the screen is Left or Right handed. 760mm screen is achieved with extra wide compensator which is supplied as standard.

*C/F in the product code denotes whether the screen has a Clear or Frosted finish.

B BF BW B

Standard: Option B



Contour Screen Equivalent: **WF9** UK CA CE

Features & Benefits

- + Option B and BW: side panel with single door to '6' side opening in and out and bi-fold doors to '7' side opening in and out
- + Option BF: bi-parting doors to '6' and '7' sides, opening in and out
- + Half height (B) or full height (BF) options available
- + Option B screens are left or right-handed, BF screens are non-handed
- + Options available for use with shower trays (B) and wet floors (BW)
- + Option BW is supplied with special corner blocks designed to be trimmed on site to accommodate any radius to covered slip-resistant flooring

Specifications

- Option BF not suitable for use with wet floors
- L-shaped curtain rail supplied
- Handles are included with Option B screens
- Latches are included with Option BW screens
- Standard 2000mm wide x 2000mm drop shower curtains supplied
- Silverdale® Option B only available in frosted glazing

Please note: If you require a different size screen, poles or curtain we can accommodate this. Please refer to Made-to-Measure Screens on page 190

Standard & Silverdale®: Option B, BF, BW

Dimensions(mm), Size Options & Product Codes:

Option B Standard	1	2	3	4	5	6	7	8	
								750mm	900mm
Option BF 1000 x 1000	500	457	457	500	1880	1000	1000	91023N	91024N
Option B 1200 x 700	412	749	327	282	1880	1200	700	91007L/R	91009L/R
Option B 1200 x 760	412	749	327	282	1880	1200	760	91194L/R	91195L/R
Option B 1200 x 820	412	749	387	342	1880	1200	820	91008L/R	91010L/R
Option B 1300 x 700	692	565	327	282	1880	1300	700	91168L/R	91169L/R
Option B 1420 x 700	692	685	327	282	1880	1420	700	91013L/R	91015L/R
Option B 1420 x 820	692	685	387	342	1880	1420	820	91014L/R	91016L/R
Option B 1500 x 700	764	693	327	282	1880	1500	700	91017L/R	91019L/R
Option B 1700 x 700	810	847	327	282	1880	1700	700	91021L/R	91022L/R
Option BW 1400 x 900	696	665	427	382	1880	1400	900	91011L/R	91012L/R
Option BW 1500 x 820	764	693	387	342	1880	1500	820	91018L/R	91020L/R
Option B Silverdale®	1	2	3	4	5	6	7	8	
1420 x 700	692	685	327	282	1880	1420	700	900mm	
								91015LSF/RSF	

Please note: Compensators are set at mid point giving 14.5mm in and out adjustment on both sides. Extra wide compensators are not available for Silverdale® screens. 760mm screen is achieved with extra wide compensator which is supplied as standard.

L/R in the product code denotes whether the screen is Left or Right handed.

*900mm Option B 1250 x 750mm is only available right handed.
900mm Option B 1470 x 750mm is only available left handed.

C

Standard: Option C

Features & Benefits

- + Folding doors and fixed panel to '4' side and fixed panel '5' side
- + Handed
- + Suitable for shower trays

Specifications

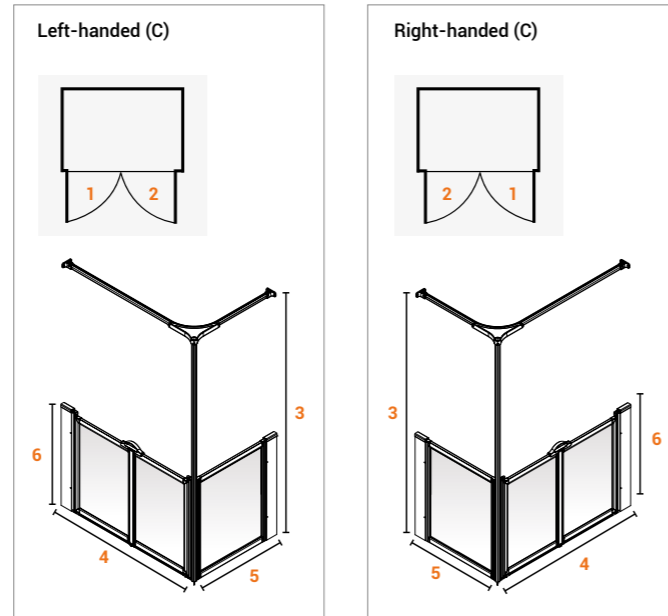
L-shaped curtain rail supplied

Handles are an optional extra

Standard 1800mm wide x 2000mm drop shower curtains supplied

Contour Screen Equivalent:

WF30



UK CA | CE

⚙️ Dimensions(mm), Size Options & Product Codes:

Option C Standard	1	2	3	4	5	6	
						750mm	900mm
1000 x 700	453	453	1880	1000	700	91025L/R	91027L/R
1000 x 1000	453	453	1880	1000	1000	91026L/R	91028L/R
1200 x 650	553	553	1880	1200	650	91029L/R	91032L/R
1200 x 700	553	553	1880	1200	700	91030L/R	91033L/R
1200 x 760	553	553	1880	1200	760	91204L/R	91205L/R
1200 x 820	553	553	1880	1200	820	91031L/R	91034L/R
1300 x 700	603	603	1880	1300	700	91035L/R	91037L/R
1300 x 820	603	603	1880	1300	820	91036L/R	91038L/R

L/R in the product code denotes whether the screen is Left or Right handed.
*900mm Option C 1050 x 1050mm is only available right handed.

Please note: 760mm screen is achieved with extra wide compensator which is supplied as standard. Compensators are set at mid point giving 14.5mm in and out adjustment on both sides.

D

Standard: Option D

Features & Benefits

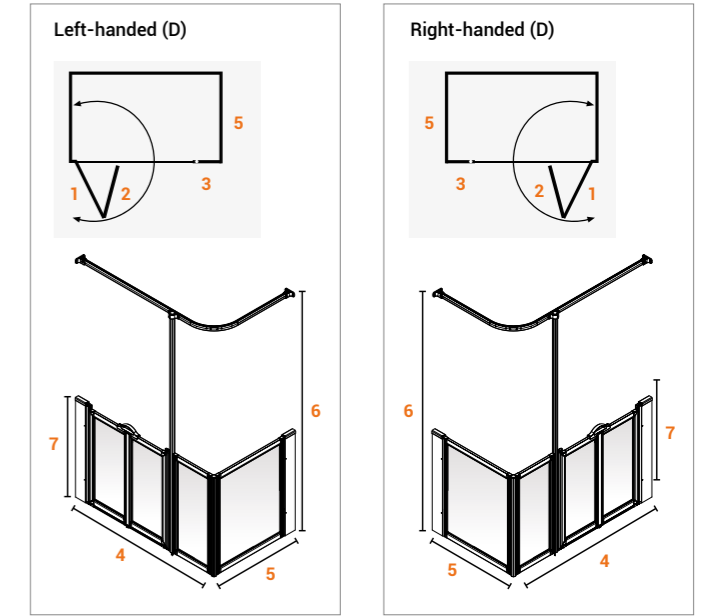
- + Folding doors and fixed panel to '4' side and fixed panel '5' side
- + Handed
- + Suitable for shower trays

Specifications

L-shaped curtain rail supplied

Handles are an optional extra

Standard 1800mm wide x 2000mm drop shower curtains supplied



UK CA | CE

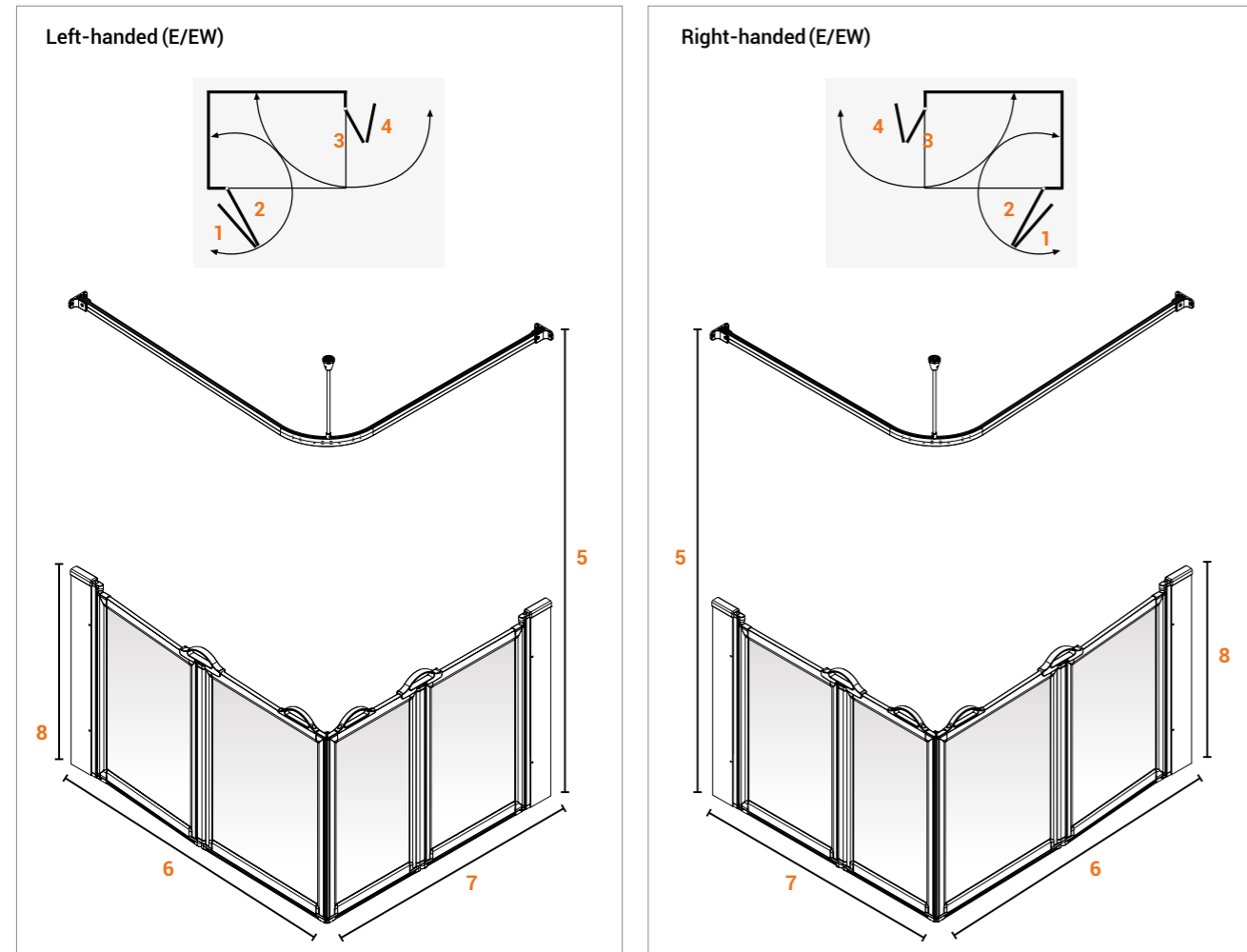
⚙️ Dimensions(mm), Size Options & Product Codes:

Option D Standard	1	2	3	4	5	6	7	
							750mm	900mm
1200 x 700	374	339	398	1200	700	1880	91039L/R	91040L/R
1200 x 760	374	339	398	1200	760	1880	91210L/R	91211L/R
1300 x 700	424	389	398	1300	700	1880	91388L/R	-

Please note: 760mm screen is achieved with extra wide compensator which is supplied as standard. Compensators are set at mid point giving 14.5mm in and out adjustment on both sides.



Standard & Silverdale®: Option E



Contour Screen Equivalent:

WF3



Features & Benefits

- + Bi-fold doors to '6' and '7' sides
- + Handed and non-handed
- + Options available for wet floors and shower trays
- + Option EW supplied with trimmable corner blocks designed to accommodate covered vinyl flooring

Specifications

L-shaped curtain rail supplied

Handles are included with Option E screens

Drop rod is 600mm

1800mm wide x 2000mm drop curtains supplied

Silverdale® options are available in clear or frosted glazing

Please note: 760mm screen is achieved with extra wide compensator which is supplied as standard.

Dimensions(mm), Size Options & Product Codes:

Option E Standard	1	2	3	4	5	6	7	8	
								750mm	900mm
E 795 x 795	330	375	375	330	1880	795	795	91405N	-
E 800 x 800	332	377	377	332	1880	800	800	91041N	91042N
E 820 x 820	342	387	387	342	1880	820	820	91043N	91044N
E 900 x 900	382	427	427	382	1880	900	900	91045N	91046N
E 945 x 945	405	450	450	405	1880	945	945	91404N*	-
E 1000 x 700	432	477	327	282	1880	1000	700	91047L/R	91049L/R
E 1000 x 1000	432	477	477	432	1880	1000	1000	91048N	91050N
E 1000 x 800	432	477	377	332	1880	1000	800	91319L/R	91320L/R
E 1095 x 795	480	525	375	330	1880	1095	795	91402L/R*	-
E 1200 x 700	532	577	327	282	1880	1200	700	91053L/R	91057L/R
E 1200 x 750	532	577	352	307	1880	1200	750	91406L/R	-
E 1200 x 760	532	577	327	282	1880	1200	760	91216L/R	91217L/R
E 1200 x 800	532	577	450	405	1880	1200	800	91401L/R	-
E 1200 x 820	532	577	387	342	1880	1200	820	91054L/R	91058L/R
E 1200 x 900	532	577	427	382	1880	1200	900	91056L/R	91060L/R
E 1295 x 795	580	625	350	305	1880	1295	795	91403L/R*	-
E 1300 x 700	582	627	327	282	1880	1300	700	91061L/R	91063L/R
E 1300 x 800	582	627	377	332	1880	1300	800	91407L/R	-
E 1300 x 820	582	627	387	342	1880	1300	820	91062L/R	91064L/R

Please note: Compensators are set at mid point giving 14.5mm in and out adjustment on one side. Screen width needs to be less than the length of the tray and provide adequate access for user.

*For Swift shower trays only

SHOWER SCREENS & ENCLOSURES STANDARD

 Dimensions(mm), Size Options & Product Codes:

Option E Standard	1	2	3	4	5	6	7	8	
								750mm	900mm
EW 900 x 800	382	427	377	332	1880	900	800	91326L/R	-
EW 900 x 900	382	427	427	382	1880	900	900	91171N	91170N
EW 990 x 990	427	472	472	427	1880	990	990	91329N	-
EW 1000 x 900	432	477	427	382	1880	1000	900	91328L/R	-
EW 1000 x 1000	432	477	477	432	1880	1000	1000	91173N	91172N
EW 1135 x 700	500	545	327	282	1880	1135	700	91325L/R	-
EW 1135 x 770	500	545	362	317	1880	1135	770	91051L/R	91052L/R
EW 1200 x 820	532	577	377	332	1880	1200	820	91327L/R	-
EW 1200 x 900	577	532	427	382	1880	1200	900	91348L/R	-
EW 1200 x 1000	532	577	477	432	1880	1200	1000	91324L/R	-
EW 1200 x 1200	532	577	577	532	1880	1200	1200	91055N	91059N
EW 1290 x 790	577	672	372	327	1880	1290	790	91346L/R	-
EW 1300 x 820	582	627	387	342	1880	1300	820	91175L/R	91174L/R
EW 1400 x 900	632	677	427	382	1880	1400	900	91065L/R	91066L/R
EW 1485 x 800	720	675	377	332	1880	1485	800	91347L/R	-
EW 1500 x 820	682	727	387	342	1880	1500	820	91067L/R	91068L/R
EW 1500 x 1200	727	682	577	532	1880	1500	1200	91349L/R	-

Please note: Compensators are set at mid point giving 14.5mm in and out adjustment on one side. Screen width needs to be less than the length of the tray and provide adequate access for user.

SHOWER SCREENS & ENCLOSURES STANDARD

 Dimensions(mm), Size Options & Product Codes:

Option E Silverdale®	1	2	3	4	5	6	7	8	
								750mm	900mm
E 800 x 800	332	377	377	332	1880	800	800	91041NSC/F*	91042NSC/F*
E 820 x 820	342	387	387	342	1880	820	820	91043NSC/F*	91044NSC/F*
E 900 x 900	382	427	427	382	1880	900	900	91045NSC/F*	91046NSC/F*
E 1000 x 700	432	477	327	282	1880	1000	700	91047LSC/F*	91049LSC/F*
								91047RSC/F*	91049RSC/F*
E 1000 x 1000	432	477	477	432	1880	1000	1000	91048NSC/F*	91050NSC/F*
E 1200 x 700	532	577	327	282	1880	1200	700	91053LSC/F*	91057LSC/F*
								91053RSC/F*	91057RSC/F*
E 1200 x 800	532	577	377	332	1880	1200	800	-	91391LSC/F*
								-	91391RSC/F*
E 1200 x 820	532	577	387	342	1880	1200	820	91054LSC/F*	91058LSC/F*
								91054RSC/F*	91058RSC/F*
E 1200 x 900	532	577	427	382	1880	1200	900	91056LSC/F*	91060LSC/F*
								91056RSC/F*	91060RSC/F*
E 1300 x 700	582	627	327	282	1880	1300	700	91061LSC/F*	91063LSC/F*
								91061RSC/F*	91063RSC/F*
E 1300 x 820	582	627	387	342	1880	1300	820	91062LSC/F*	91064LSC/F*
								91062RSC/F*	91064RSC/F*
EW 900 x 900	382	427	427	382	1880	900	900	91171NSC/F*	91170NSC/F*
EW 1000 x 1000	432	477	477	432	1880	1000	1000	91173NSC/F*	91172NSC/F*
EW 1135 x 770	500	545	362	317	1880	1135	770	91051LSC/F*	91052LSC/F*
								91051RSC/F*	91052RSC/F*
EW 1200 x 1200	532	577	577	532	1880	1200	1200	91055NSC/F*	91059NSC/F*
EW 1300 x 820	582	627	387	342	1880	1300	820	91175LSC/F*	91174LSC/F*
								91175RSC/F*	91174RSC/F*
EW 1400 x 900	632	677	427	382	1880	1400	900	91065LSC/F*	91066LSC/F*
								91065RSC/F*	91066RSC/F*
EW 1500 x 820	682	727	387	342	1880	1500	820	91067LSC/F*	91068LSC/F*
								91067RSC/F*	91068RSC/F*

Standard: Option E5

Features & Benefits

- + Tri-fold doors to '7' and bi-fold doors to '8' sides
- + Options available for wet floors and shower trays
- + Option EW5 supplied with special corner blocks to be trimmed to accommodate any radius to coved slip resistant flooring

Specifications

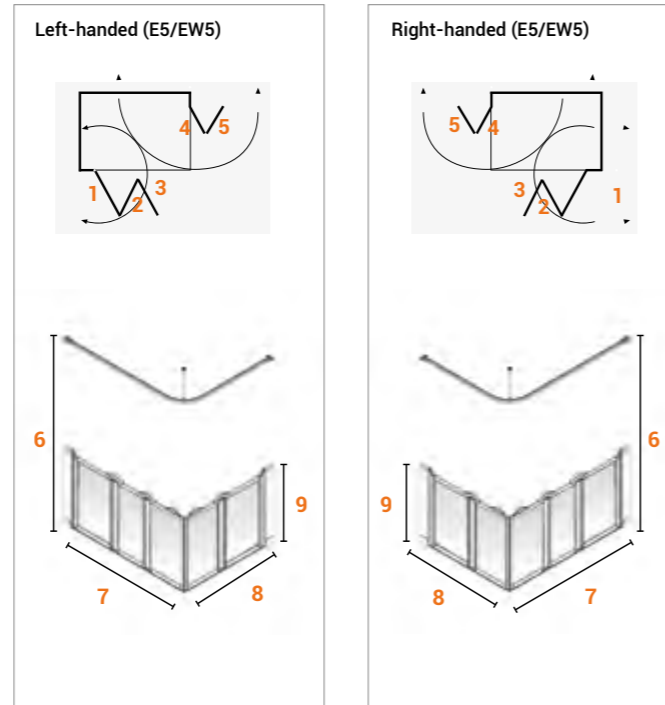
L-shaped curtain rail supplied

Handles and latches are included with Option E screens

Standard 1800mm wide x 2000mm drop shower curtains supplied

Contour Screen Equivalent:

WF4



Dimensions(mm), Size Options & Product Codes:

Option E5 Standard	1	2	3	4	5	6	7	8	9 750mm
E5 1000 x 700	-	-	-	-	-	1880	1000	700	91408L/R
E5 1095 x 795	-	-	-	-	-	1880	1095	795	91409L/R
E5 1200 x 800	-	-	-	-	-	1880	1200	800	91410L/R
E5 1200 x 900	-	-	-	-	-	1880	1200	900	91411L/R
E5 1200 x 820	390	373	345	387	342	1880	1200	820	91381L/R
E5 1400 x 900	457	439	412	427	382	1880	1400	900	91383L/R
EW5 1200 x 750	-	-	-	-	-	1880	1200	750	91412L/R
EW5 1200 x 820	390	373	345	387	342	1880	1200	820	91384L/R
EW5 1200 x 900	-	-	-	-	-	1880	1200	900	91413L/R
EW5 1300 x 820	424	406	379	387	342	1880	1300	820	91385L/R
EW5 1300 x 800	-	-	-	-	-	1880	1300	800	91414L/R
EW5 1400 x 900	457	439	412	427	382	1880	1400	900	91386L/R

Please note: Compensators are set at mid point giving 14.5mm in and out adjustment on one side. Screen width needs to be less than the length of the tray and provide adequate access for user.

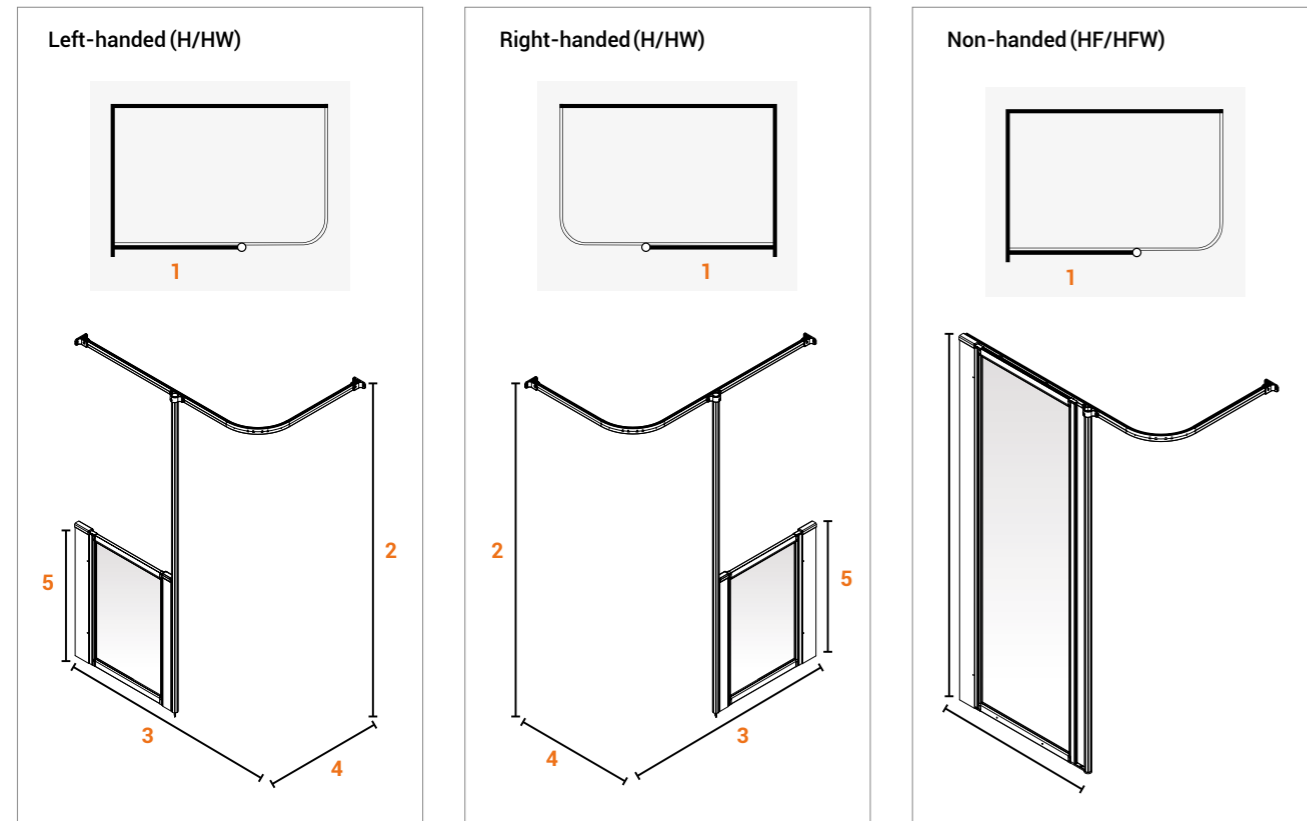
If you require a different size screen, poles or curtain we can accommodate this. Please refer to Made-to-Measure Screens on [page 190](#).

L/R in the product code denotes whether the screen is Left or Right handed.





Standard & Silverdale®: Option H / HW / HF / HFW



Features & Benefits

- + Half (H) or full-height (HF) options available
- + Handed and non-handed options
- + Options available for wet floors and shower trays
- + Fits most tray sizes LH and RH
- + Wet floor option (HW/HFW) supplied with special corner blocks designed to be trimmed on site, to accommodate any radius to covered slip-resistant flooring

Specifications

L-shaped curtain rail supplied

Option H/HW is supplied with 1 x 1400mm and 1 x 1900mm drop curtains

Option HF/HFW is supplied with 1 x 1900mm drop curtains

Silverdale® option HF available in clear or frosted glazing

Contour Screen Equivalent:

WFY

WFX

WFY for Option H

WFX for Option HF

⚙️ Dimensions(mm), Size Options & Product Codes:

Option H Standard	1*	2	3	4	5		
					750mm	900mm	
Will fit most tray sizes	H 600	1880	Will fit most tray sizes	Will fit most tray sizes	91069L/R	91074L/R	
	H 700	1880			91070L/R	91075L/R	
	H 800	1880			91071L/R	91076L/R	
	H 900	1880			91072L/R	91077L/R	
	H 1000	1880			91073L/R	91078L/R	
	HW 300	1880			-	91330L/R	
	HW 400	1880				-	
	HW 600	1880				91232L/R	91233L/R
	HW 700	1880				91234L/R	91235L/R
	HW 800	1880				91236L/R	91237L/R
	HW 900	1880				91238L/R	91239L/R
	HW 1000	1880				91240L/R	91241L/R

Please note: Compensators are set at mid point giving 14.5mm in and out adjustment on one side. Screen width needs to be less than the length of the tray and provide adequate access for user.

Please note: If you require a different size screen, poles or curtain we can accommodate this. Please refer to Made-to-Measure Screens on [page 190](#).

*Column 1: Includes 32mm post.

L/R in the product code denotes whether the screen is Left or Right handed.

*900mm Option H 750mm is only available right handed.


900mm Option H 850mm is only available left handed.

900mm Option H 950mm is only available right handed.

Standard: Option HF

 Dimensions(mm), Size Options & Product Codes:

Option HF Standard	1*	2	3	4	Code:
Will fit all tray sizes	HF 600	Will fit all tray sizes	Will fit all tray sizes	1880	91079N
	HF 700			1880	91080N
	HF 800			1880	91081N
	HF 900			1880	91082N
	HF 1000			1880	91083N
	HFW 600			1880	91247N
	HFW 700			1880	91248N
	HFW 800			1880	91249N
	HFW 900			1880	91250N
	HFW 1000			1880	91251N
	HF 600				

 Model features a straight rail rather than curved

Please note: Compensators are set at mid point giving 14.5mm in and out adjustment on one side. Screen width needs to be less than the length of the tray and provide adequate access for user. **Extra wide compensators are not available for Silverdale® screens.** 760mm screen is achieved with extra wide compensator which is supplied as standard.

*Column 1: Includes 55mm gap and 32mm post.


**C/F in the product code denotes whether the screen has a Clear or Frosted finish.

L/R in the product code denotes whether the screen is Left or Right handed.

Silverdale®: Option HF

 Dimensions(mm), Size Options & Product Codes:

Option HF Silverdale®	1*	2	3	4	Code:
Will fit most tray sizes	HF 600	1880	Will fit most tray sizes	Will fit most tray sizes	91079NSC/F**
	HF 700	1880			91080NSC/F**
	HF 800	1880			91081NSC/F**
	HF 900	1880			91082NSC/F**
	HF 1000	1880			91083NSC/F**
	HFW 400	1870			91345NSF***
	HFW 600	1870			91247NSC/F**
	HFW 700	1870			91248NSC/F**
	HFW 800	1870			91249NSC/F**
	HFW 900	1870			91250NSC/F**
	HFW 1000	1870			91251NSC/F**

 Model features a straight rail rather than curved

Please note: Compensators are set at mid point giving 14.5mm in and out adjustment on one side. Screen width needs to be less than the length of the tray and provide adequate access for user. **Extra wide compensators are not available for Silverdale® screens.**

*Column 1: Includes 55mm gap and 32mm post.

**C/F in the product code denotes whether the screen has a Clear or Frosted finish.

***400mm width screen currently only available in Frosted finish.

J

Standard: Option J

Features & Benefits

- + Fixed panel with single door opening out only
- + Handed
- + Suitable for shower trays

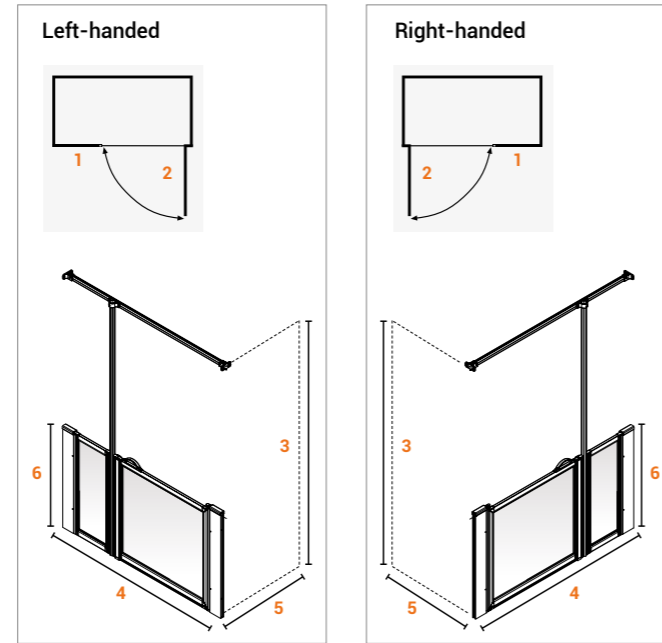
Specifications

L-shaped curtain rail supplied can be cut to fit

Handles are included with Option J screens

Standard 1800mm wide x 2000mm drop shower curtains supplied

WF21



UK
CA | CE

⚙️ Dimensions(mm), Size Options & Product Codes:

Option J Standard	1	2	3	4	5	6	
						750mm	900mm
1300	417	799	1880	1300	700	91084L/R	91085L/R
1420	537	799	1880	1420	700	91086L/R	91087L/R
1700	755	861	1880	1700	700	91088L/R	91089L/R

Please note: Compensators are set at mid point giving 14.5mm in and out adjustment on both sides.

L/R in the product code denotes whether the screen is Left or Right handed.

*750mm Option J 1350mm is only available left handed.
750mm Option J 1470mm is only available left handed.

K

Standard: Option K

Features & Benefits

- + Double bi-fold doors to '6' side opening in and out, fixed side panel to '5'
- + Handed
- + Suitable for shower trays

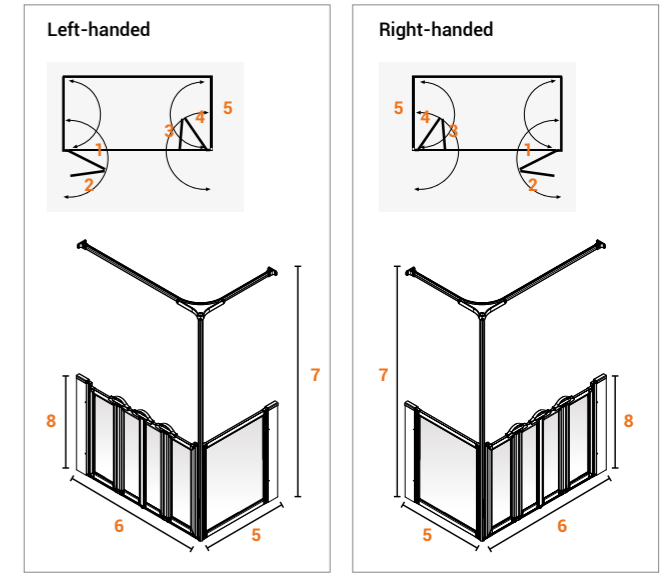
Specifications

L-shaped curtain rail supplied

Handles are included with Option K screens

Standard 1800mm wide x 2000mm drop shower curtains supplied

WF32



UK
CA | CE

⚙️ Dimensions(mm), Size Options & Product Codes:

Option K Standard	1	2	3	4	5	6	7	8	
								750mm	900mm
1200 x 650	295	260	260	295	650	1200	1880	91090L/R	91092L/R
1200 x 700	295	260	260	295	700	1200	1880	91091L/R	91093L/R
1200 x 760	295	260	260	295	760	1200	1880	91256L/R	91257L/R
1420 x 700	350	315	315	350	700	1420	1880	91094L/R	91096L/R
1420 x 820	350	315	315	350	820	1420	1880	91095L/R	91097L/R
1700 x 700	420	385	385	420	700	1700	1880	91098L/R	91099L/R

Please note: 760mm screen is achieved with extra wide compensator which is supplied as standard. Compensators are set at mid point giving 14.5mm in and out adjustment on both sides.

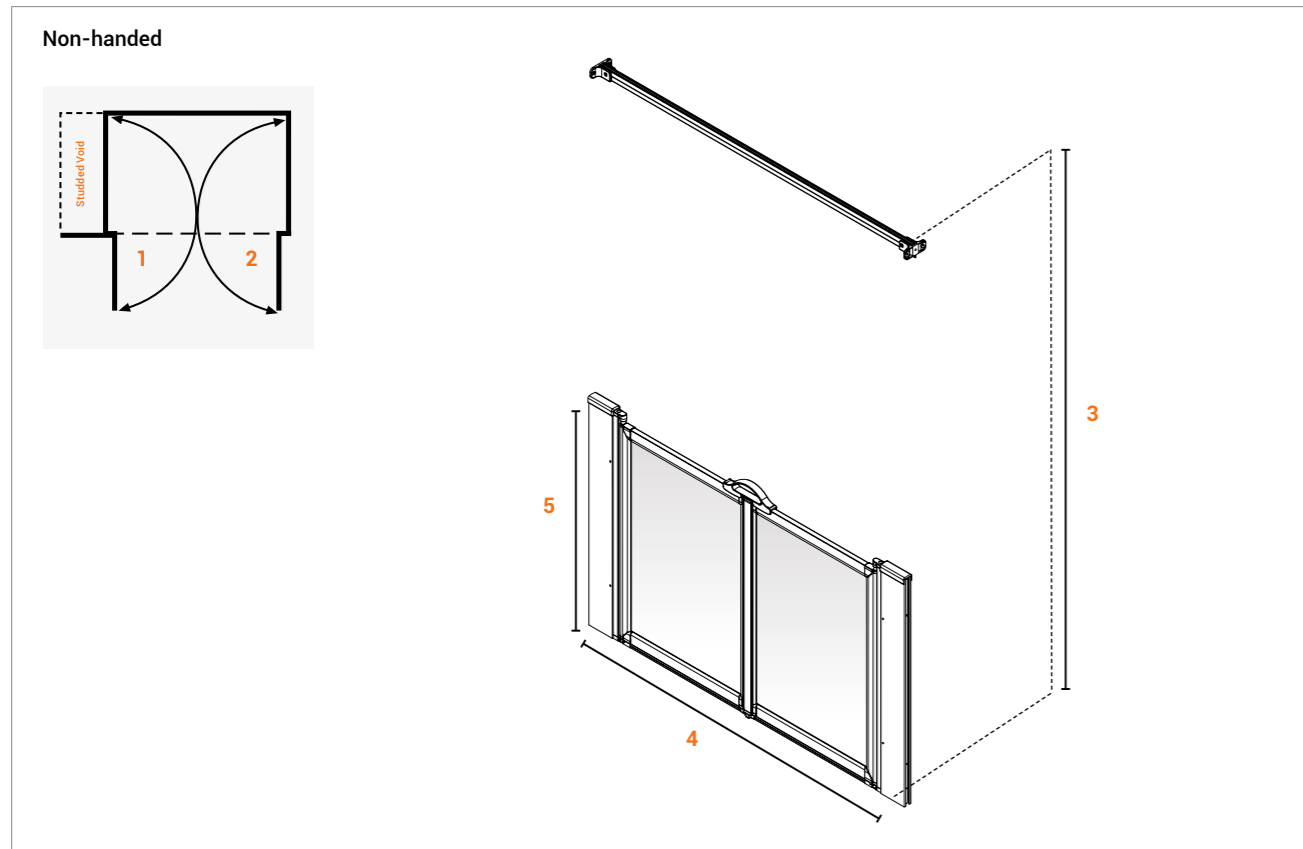
L/R in the product code denotes whether the screen is Left or Right handed.

*750mm Option K 1250x750mm is only available right handed.

Please note: If you require a different size screen, poles or curtain we can accommodate this. Please refer to Made-to-Measure Screens on [page 190](#).



Standard & Silverdale®: Option M



Features & Benefits

- + Bi-parting doors opening in and out
- + Non-handed
- + Options available for wet floors (MW) and shower trays (M)
- + Wet floor option (MW) supplied with special corner blocks designed to be trimmed on site, to accommodate any radius to covered slip-resistant flooring

Specifications

- L-shaped curtain rail supplied
- Silverdale® option available in clear or frosted glazing
- Standard 1800mm wide x 2000mm drop curtains supplied
- Supplied with an oversized L-shaped curtain rail that can be trimmed down to a straight rail as required

WF15

Standard & Silverdale®: Option M, MW

Dimensions(mm), Size Options & Product Codes:

Option M Standard	1	2	3	4	5	
					750mm	900mm
M 800	347	347	1880	800	91104N	91109N
M 900	397	397	1880	900	91100N	91105N
M 1000	447	447	1880	1000	91101N	91106N
M 1200	547	547	1880	1200	91102N	91107N
M 1300	597	597	1880	1300	91103N	91108N
MW 1100**	497	497	1880	1100	91350N	-
MW 1200	547	547	1880	1200	91177N	91176N

Option M Silverdale®	1	2	3	4	5	
					750mm	900mm
M 800	347	347	1880	800	91104NSC/F*	91109NSC/F*
M 900	397	397	1880	900	91100NSC/F*	91105NSC/F*
M 1000	447	447	1880	1000	91101NSC/F*	91106NSC/F*
M 1200	547	547	1880	1200	91102NSC/F*	91107NSC/F*
M 1300	597	597	1880	1300	91103NSC/F*	91108NSC/F*
MW 1200 x 1200	547	547	1880	1200	91177NSC/F*	91176NSC/F*

Please note: Compensators are set at mid point giving 14.5mm in and out adjustment on both sides.

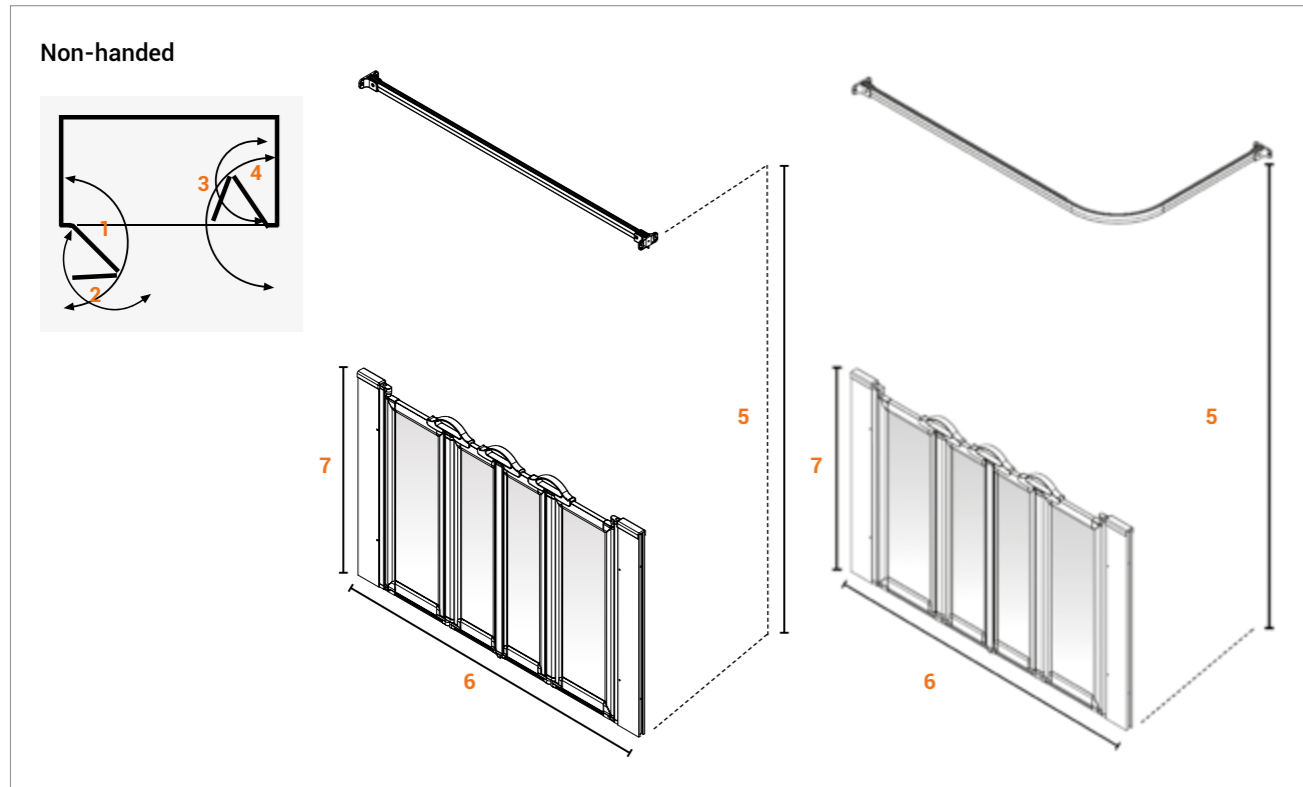
Extra wide compensators are not available for Silverdale® screens.

*C/F in the product code denotes whether the screen has a Clear or Frosted finish.

**Supplied with a L-shaped rail



Standard & Silverdale®: Option N



Features & Benefits

- + Double bi-fold doors opening in and out
- + Non-handed
- + Options available for wet floors (NW) and shower trays (N)
- + Wet floor option supplied with special corner blocks designed to be trimmed on site, to accommodate any radius to covered slip-resistant flooring

Specifications

L-shaped curtain rail supplied

1800mm wide x 2000mm drop curtains supplied

Silverdale® option available in clear or frosted glazing

Supplied with an oversized L-shaped curtain rail that can be trimmed down to a straight rail as required

WF19

Standard: Option N, NW

⚙️ Dimensions(mm), Size Options & Product Codes:

Option N Standard	1	2	3	4	5	6	7	
							750mm	900mm
N 1200	292	257	257	292	1880	1200	91110N	91118N
N 1300	317	282	282	317	1880	1300	91111N	91119N
N 1400	–	–	–	–	1880	1400	91429N	91430N
N 1420	347	312	312	347	1880	1420	91113N	91121N
N 1470	–	–	–	–	1800	1470	91272N	91273N
N 1500	367	332	332	367	1880	1500	91114N	91122N
N 1600	392	357	357	392	1880	1600	91322N	91321N
N 1700	417	382	382	417	1880	1700	91117N	91124N
N 1800	–	–	–	–	1880	1800	91417N	91418N
NW 1200	292	257	257	292	1880	1200	91352N	–
NW 1300	317	282	282	317	1880	1300	91179N	91178N
NW 1400	347	312	312	347	1880	1400	91112N	91120N
NW 1500	367	332	332	367	1880	1500	91181N	91180N
NW 1600	392	357	357	392	1880	1600	91323N	91123N
NW 1700	417	382	382	417	1880	1700	91332N	–
NW 1800	442	407	407	442	1800	1800	91333N	91334N

Please note: Compensators are set at mid point giving 14.5mm in and out adjustment on both sides.

Silverdale®: Option N, NW

Dimensions(mm), Size Options & Product Codes:

Option N Silverdale®	1	2	3	4	5	6	7	
							750mm	900mm
N 1200	292	257	257	292	1880	1200	91110NSC/F*	91118NSC/F*
N 1300	317	282	282	317	1880	1300	91111NSC/F*	91119NSC/F*
N 1420	347	312	312	347	1880	1420	91113NSC/F*	91121NSC/F*
N 1500	367	332	332	367	1880	1500	91114NSC/F*	91122NSC/F*
N 1700**	417	382	382	417	1880	1700	91117NSC/F*	91124NSC/F*
NW 1300	317	282	282	317	1880	1300	91179NSC/F*	91178NSC/F*
NW 1400	347	312	312	347	1880	1400	91112NSC/F*	91120NSC/F*
NW 1500	367	332	332	367	1880	1500	91181NSC/F*	91180NSC/F*
NW 1600**	392	357	357	392	1880	1600	91323NSC/F*	91123NSC/F*

Model features a straight rail rather than curved

Please note: Compensators are set at mid point giving 14.5mm in and out adjustment on both sides. **Extra wide compensators are not available for Silverdale® screens.**

*C/F in the product code denotes whether the screen has a Clear or Frosted finish.

**Straight curtain rail supplied.

Standard: Option P

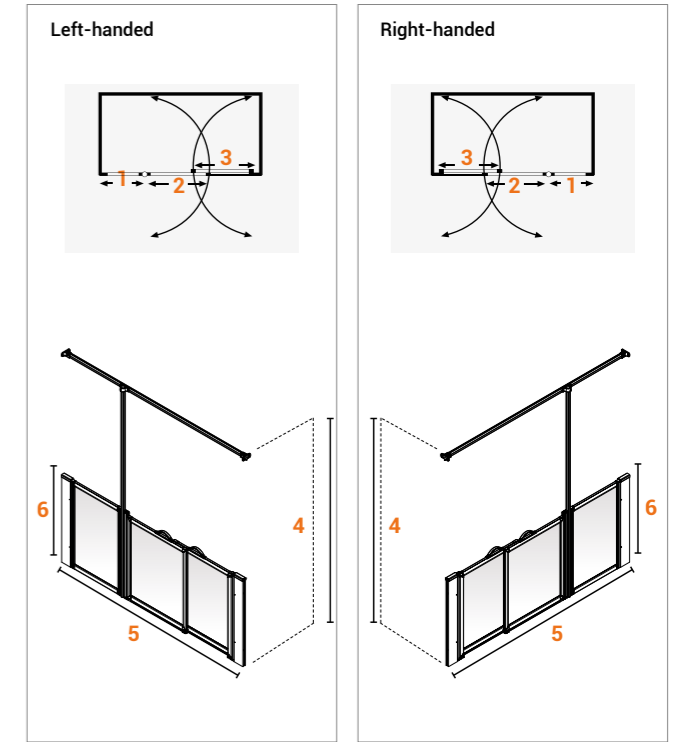
Features & Benefits

- + Fixed side panel '1', overlapping doors '2/3'
- + Handed
- + Options available for wet floors (PW) and shower trays (P)
- + Wet floor option supplied with special corner blocks designed to be trimmed on site, to accommodate any radius to coved slip-resistant flooring

Specifications

Straight curtain rail supplied, can be cut to fit

Standard 1800mm wide x 2000mm drop shower curtains supplied



Dimensions(mm), Size Options & Product Codes:

Option P Standard	1	2	3	4	5*	6	
						750mm	900mm
P 1800	560	560	641	1880	1500-1800	91125L/R	91126L/R
PW 1800	560	629	641	1880	1500-1800	91183L/R	91182L/R

Please note: Compensators are set at mid point giving 14.5mm in and out adjustment on both sides.

*Column 5: measurements account for adjustment with overlapping doors.

Overlapping doors enable the Option P screen set to be adjusted on site to accommodate different alcove widths. This avoids the need for accurate pre-measurement and specially made screens.

L/R in the product code denotes whether the screen is Left or Right handed.

Q

Standard: Option Q

Features & Benefits

- + Folding door and fixed panel to '5' side and fixed panel '6' side
- + Handed
- + Suitable for shower trays

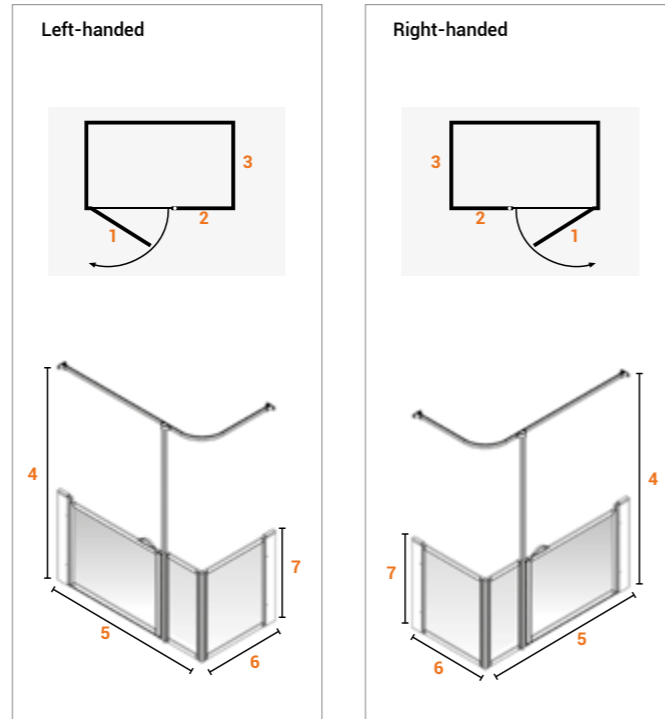
Specifications

L-shaped curtain rail supplied

Handles are included with Option Q screens

Standard 1800mm wide x 2000mm drop shower curtains supplied

WF28



UK CA | CE

Dimensions(mm), Size Options & Product Codes:

Option Q Standard	1	2	3	4	5	6	7	
							750mm	900mm
1300 x 700	862	342	694	1880	1300	700	91335L/R	-
1420 x 700	862	462	694	1880	1420	700	91336L/R	-

Please note: If you require a different size screen, poles or curtain we can accommodate this. Please refer to Made-to-Measure Screens on [page 190](#).

TT TTW

Standard: Option TT

Features & Benefits

- + Trimmable panel with bi-parting doors, opening in and out
- + Handed
- + Options available for wet floors (TTW) and shower trays (TT)

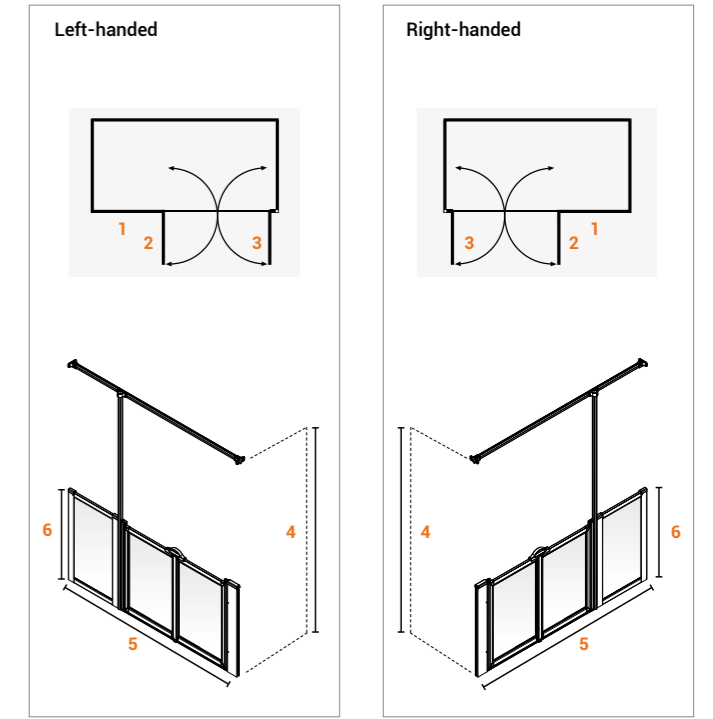
Specifications

Straight curtain rail supplied

Latch included (additional handles are optional extras)

Standard 1800mm wide x 2000mm drop shower curtains supplied

Silverdale® option available frosted glazing only



UK CA | CE

Dimensions(mm), Size Options & Product Codes:

Option TT Standard	1*	2	3	4	5**	6	
						750mm	900mm
TT 1800-1500	685-385	517	517	1880	1800-1500	91127L/R	91128L/R
TTW 1800-1500	685	517	517	1880	1800-1500	91185L/R	91184L/R

Please note: Compensators are set at mid point giving 14.5mm in and out adjustment on door side only. Option TT/TTW screens can be used with Pipe Ducted trays on door side only. All options Patented GB 2429030.

*Column 1: Adjustment range of trimmable panel.

**Column 5: Measurements account for adjustment (on door side only) with trimmable panel.

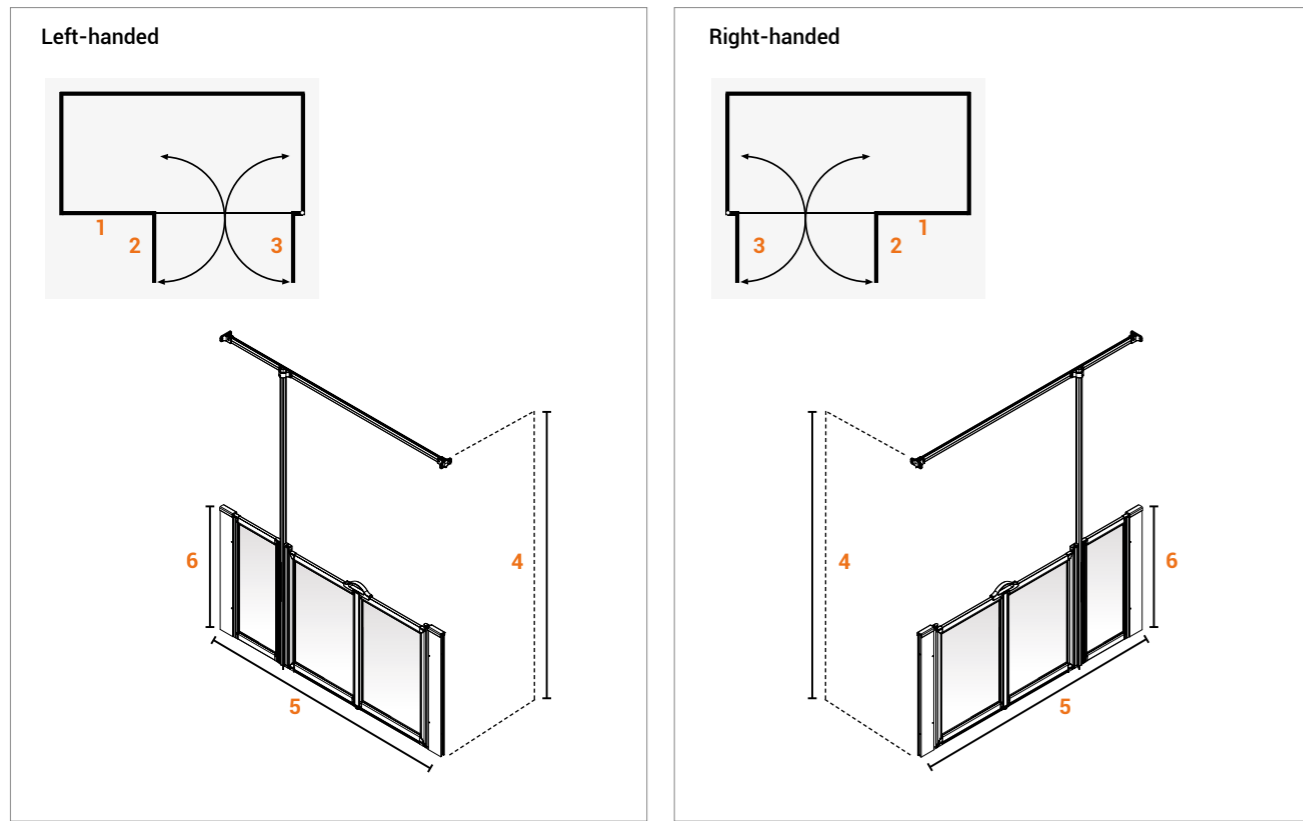
Option TT screen, handed, with bi-parting doors to give 900mm clear entry path, opening in and out. Fixed panel is trimmable on-site to suit alcove situations.

L/R in the product code denotes whether the screen is Left or Right handed.

Please note: If you require a different size screen, poles or curtain we can accommodate this. Please refer to Made-to-Measure Screens on [page 190](#).

U UW

Standard: Option U



Features & Benefits

- + Fixed panel with bi-parting doors, opening in and out
- + Handed
- + Options available for wet floors (UW) and shower trays (U)
- + Special corner blocks designed to be trimmed on site to accommodate any radius to covered slip-resistant flooring

Specifications

L-shaped curtain rail supplied – can be trimmed on site

Latches are included with Option U screens

Standard 1800mm wide x 2000mm drop shower curtains supplied

WF22

Standard: Option U, UW

Dimensions(mm), Size Options & Product Codes:

Shower Tray Size Options:	1	2	3	4	5	6	
						750mm	900mm
U 1300	422	411	411	1880	1300	91129L/R	91131L/R
U 1420	485	439	439	1880	1420	91130L/R	91132L/R
UW 1300	500	372	372	1880	1300	91359L/R	–
UW 1350	500	397	397	1880	1350	91360L/R	–
UW 1500	500	472	472	1880	1500	91361L/R	–
UW 1550	500	497	497	1880	1550	91362L/R	–
UW 1600	500	522	522	1880	1600	91363L/R	–
UW 1650	500	547	547	1880	1650	91364L/R	–
UW 1700	500	572	572	1880	1700	91365L/R	–
UW 1750	500	597	597	1880	1750	91366L/R	–
UW 1800	500	622	622	1880	1800	91367L/R	–

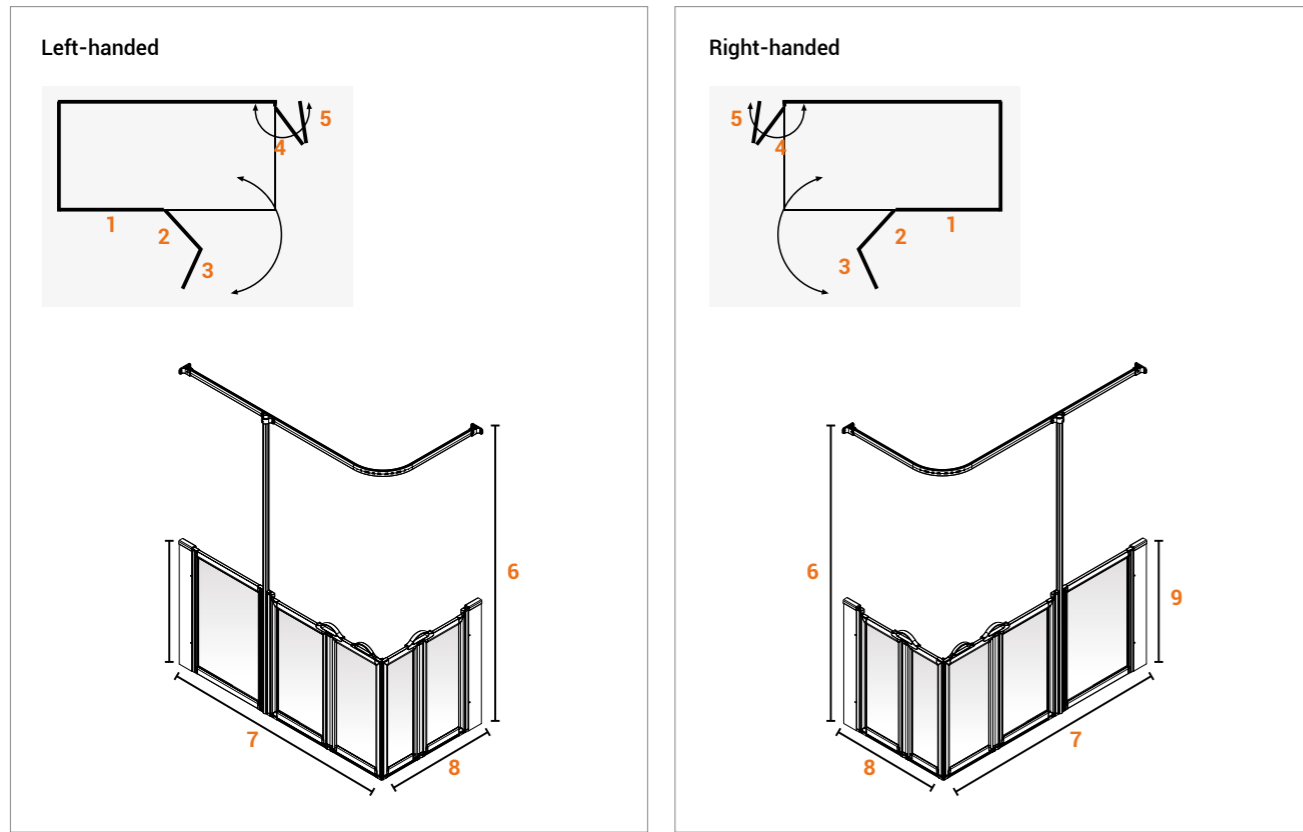
Please note: Compensators are set at mid point giving 14.5mm in and out adjustment on both sides.

L/R in the product code denotes whether the screen is Left or Right handed.

Please note: If you require a different size screen, poles or curtain we can accommodate this. Please refer to Made-to-Measure Screens on [page 190](#).



Standard & Silverdale®: Option X



Features & Benefits

- + Fixed side panel on '7' and bi-folding doors on '7' and '8', opening in and out
- + Handed
- + Options available for wet floors (XW) and shower trays (X, XF)
- + Full-height (XF) and half-height (X, XW) options available
- + Wet floor option (XW) supplied with special corner blocks designed to be trimmed on site to accommodate any radius to covered slip-resistant flooring

Specifications

- L-shaped curtain rail supplied – can be trimmed on site
- Handles and latch are included with Option X screens
- Standard 1800mm wide x 2000mm drop shower curtains supplied
- Silverdale® option available frosted glazing only

WF12

Standard & Silverdale®: Option X, XW, XF

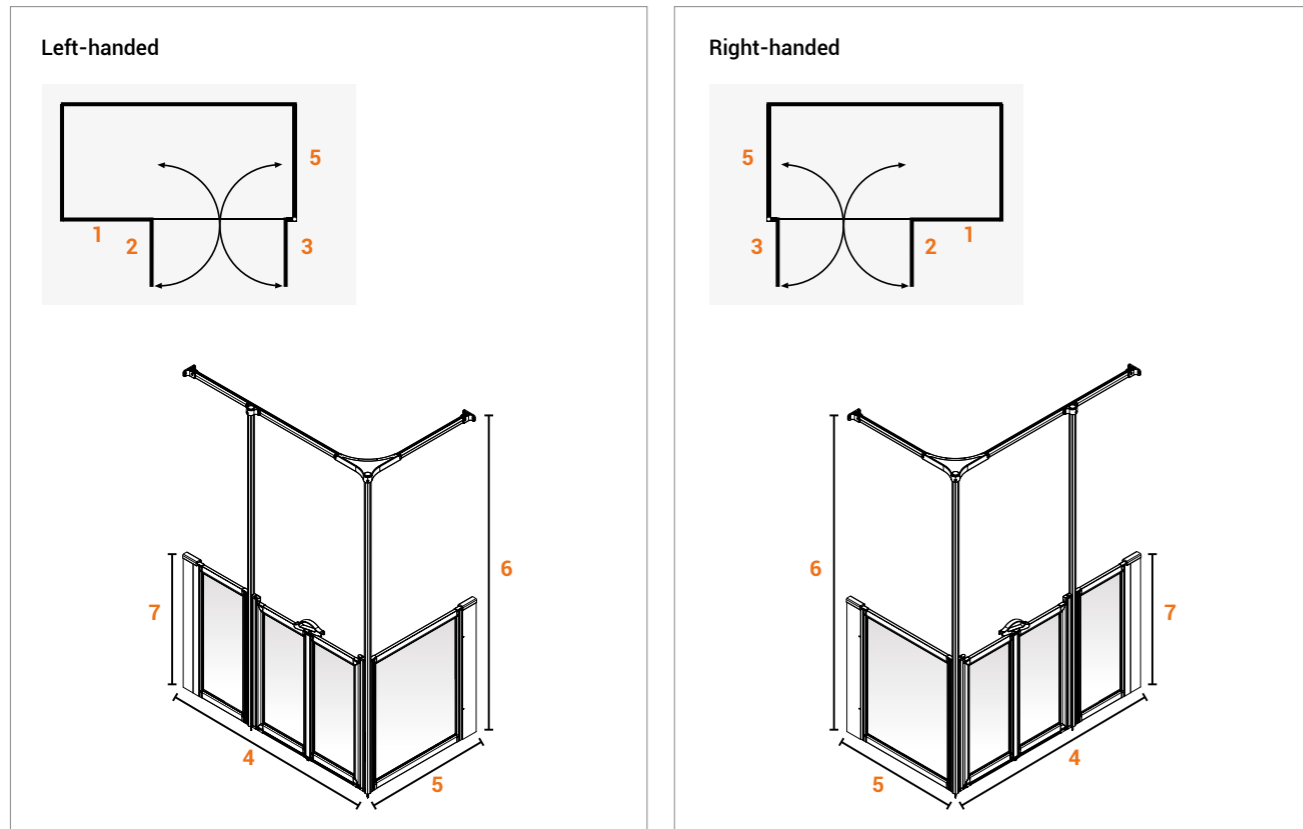
Dimensions(mm), Size Options & Product Codes:

Option X Standard	1	2	3	4	5	6	7	8	9	
									750mm	900mm
X 1200 x 700	422	369	324	320	365	1880	1200	700	91318L/R	91133L/R
X 1300 x 700	522	369	324	320	365	1880	1300	700	91389L/R	91135L/R
X 1300 x 800	–	–	–	–	–	1880	1300	800	91421L/R	91422L/R
X 1400 x 900	–	–	–	–	–	1880	1400	900	91423L/R	91424L/R
X 1420 x 700	692	366	321	327	282	1880	1420	700	91137L/R	91139L/R
X 1420 x 820	692	366	321	387	342	1880	1420	820	91138L/R	91140L/R
X 1500 x 700	692	406	361	327	282	1880	1500	700	91141L/R	91143L/R
XW 1200 x 900	422	369	324	427	382	1880	1200	900	91392L/R	–
XW 1300 x 800	–	–	–	–	–	1880	1300	800	91425L/R	91426L/R
XW 1400 x 900	–	–	–	–	–	1880	1400	900	91427L/R	91428L/R
XW 1300 x 820	522	391	346	387	342	1880	1300	820	91134L/R	91136L/R
XW 1500 x 820	692	406	361	387	342	1880	1500	820	91142L/R	91144L/R
XF 1800 x 700	800	498	460	323	285	1880	1800	700	–	91339L/R

Option X Silverdale®	1	2	3	4	5	6	7	8	9	
									900mm	
X 1420 x 700	692	366	321	327	282	1880	1420	700	91139LSF/RSF	
XF 1800 x 700	800	498	460	323	285	1880	1800	700	91339LSF/RSF	
XF 1800 x 820	800	498	460	383	345	1880	1800	820	91340LSF/RSF	



Standard & Silverdale®: Option Y



Features & Benefits

- + Fixed side panel and bi-parting doors to '4' side
- + Fixed side panel to '5' side
- + Handed
- + Suitable for shower trays
- + Full-height (YF) and half-height (Y) options available

Specifications

L-shaped curtain rail supplied

Latch included (additional handles are optional extras)

Standard 1800mm wide x 2000mm drop shower curtains supplied



Standard & Silverdale®: Option Y, YF

⚙️ Dimensions(mm), Size Options & Product Codes:

Option Y Standard	1	2	3	4	5	6	7	
							750mm	900mm
Y 1300 x 700	381	437	437	1300	700	1880	91145L/R	91147L/R
Y 1300 x 820	381	437	437	1300	820	1880	91146L/R	91148L/R
Y 1420 x 700	500	437	437	1420	700	1880	91149L/R	91151L/R
Y 1420 x 820	500	437	437	1420	820	1880	91150L/R	91152L/R
Y 1700 x 700	702	477	477	1700	700	1880	91153L/R	91154L/R
YF 1800 x 700	800	469	469	700	1800	1880	-	91341L/R
YF 1800 x 820	800	469	469	820	1800	1880	-	91342L/R

Option Y Silverdale®	1	2	3	4	5	6	7	
							900mm	
Y 1420 x 700	500	437	437	700	1420	1880	91151LSF/RSF	
Y 1700 x 700	702	477	477	700	1700	1880	91154LSF/RSF	

Please note: Compensators are set at mid point giving 14.5mm in and out adjustment on both sides.

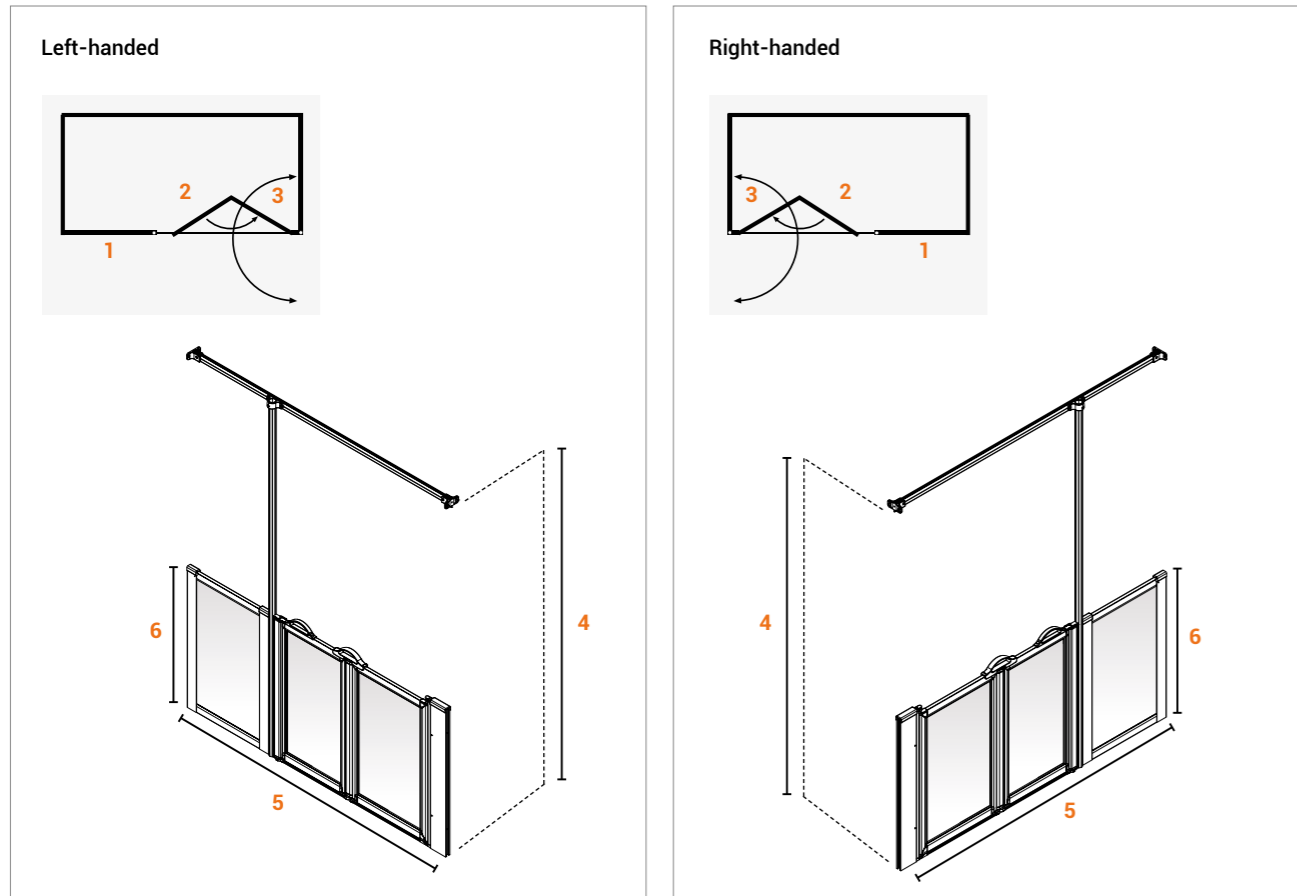
Extra wide compensators are not available for Silverdale® screens.

If you require a different size screen, poles or curtain we can accommodate this. Please refer to Made-to-Measure Screens on [page 190](#).

L/R in the product code denotes whether the screen is Left or Right handed. *900mm Option Y 1350x750mm is only available right handed.

Z ZW ZUW

Standard: Option Z



Features & Benefits

- + Bi-folding doors '2/3' to give 900mm clear entry path, opening in and out
- + Fixed panel '1' is trimmable on site to suit alcove situations - for (Z) and (ZW) only
- + Handed
- + Options available for wet floors (ZW, ZUW) and shower trays (Z)
- + Wet floor option supplied with special corner blocks designed to be trimmed on site to accommodate any radius to covered slip-resistant flooring curtains supplied

Specifications

Straight curtain rail supplied can be cut to fit

Handle and latch are included with Option Z screens

Standard 1800mm wide x 2000mm drop shower

WF24



Standard: Option Z, ZW, ZUW

Dimensions(mm), Size Options & Product Codes:

Option Z Standard	1*	2	3	4	5**	6	
						750mm	900mm
Z 1800-1500	410	483	518	1880	1800-1500	91155L/R	91156L/R
ZW 1800	810	483	518	1880	1500-1800	91187L/R	91186L/R
ZUW 1500	500	441	476	1880	1500	91372L/R	-
ZUW 1550	500	466	501	1880	1550	91373L/R	-
ZUW 1800	500	591	626	1880	1800	91378L/R	-

Please note: Compensators are set at mid point giving 14.5mm in and out adjustment on both sides.

Option Z screens can be used with Extra wide compensator on door side only.

*Column 1: maximum size of trimmable panel.

**Column 5: measurements account for adjustment (on door side only) with trimmable panel.

L/R in the product code denotes whether the screen is Left or Right handed. *900mm Option Z 1850mm is only available left handed.

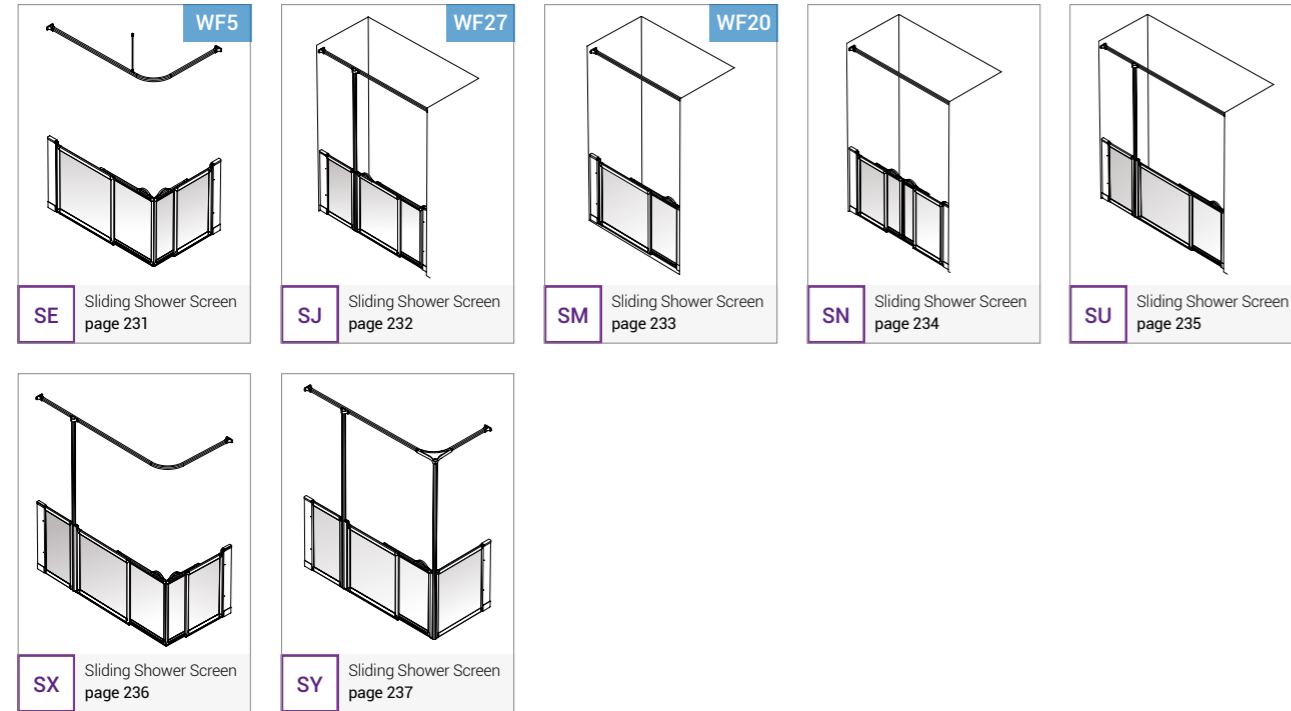
Please note: If you require a different size screen, poles or curtain we can accommodate this. Please refer to Made-to-Measure Screens on [page 190](#).

Sliding

Our sliding shower screens can be installed with a variety of trays and wet floors, and have specially designed seals to reduce water egress. They are suitable for all AKW trays and wet floors, and are supplied with trimmable corner blocks to accommodate coved, slip-resistant flooring.

- + Space-saving sliding screen solution for tight spaces
- + Front and side overlapping, sliding doors which open in and out
- + PET frosted panels provide shatterproof glazing and added safety
- + A strong magnetic strip increases water retention
- + Lifetime warranty

Sliding Shower Screen Options



Sliding: Option SE

Features & Benefits

- + Handed
- + Suitable for all trays and wet floors

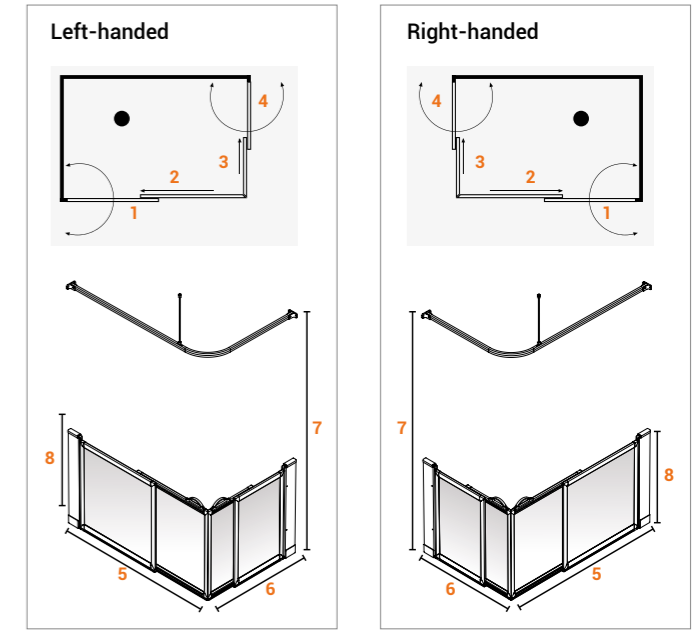
Specifications

L-shaped curtain rail supplied - can be cut to fit

Handles are included

Supplied with 2 x 1800mm x 2000mm curtains

WF5



⚙️ Dimensions(mm), Size Options & Product Codes:

Shower Tray Size Options:	1	2	3	4	5	6	7	8 750mm
900-1000 x 900-1000	558	510	510	558	900 – 1000	900 – 1000	1880	15500
1200-1300 x 700-820	708	660	420	468	1200 – 1300	700 – 820	1880	15501L/R
1420-1500 x 700-820	808	760	420	468	1420 – 1500	700 – 820	1880	15502L/R

Please note: Sliding screen compensators give 14.5mm adjustment inwards and outwards on both sides.

L/R in the product code denotes whether the screen is Left or Right handed.

Please note: If you require a different size screen, poles or curtain we can accommodate this. Please refer to Made-to-Measure Screens on [page 190](#).

SJ

Sliding: Option SJ

Features & Benefits

- + Non-handed
- + Suitable for all trays and wet floors

Specifications

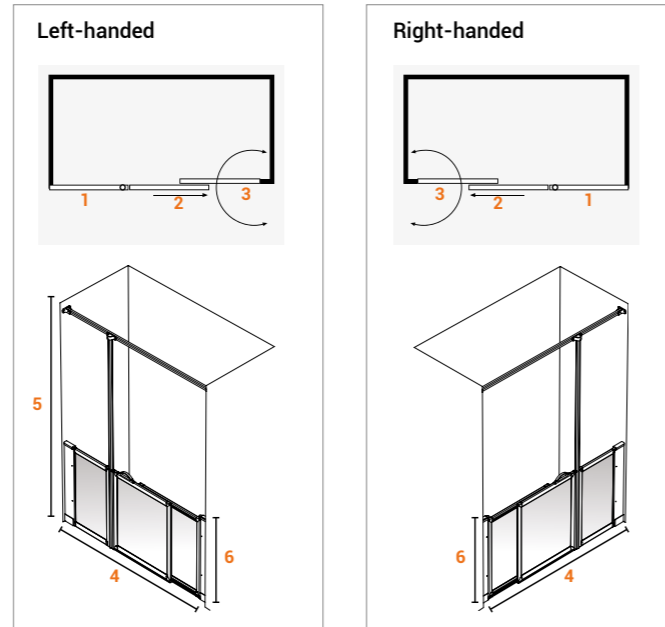
L-shaped curtain rail supplied - can be cut to fit

Handles are included

Supplied with 2 x 1800mm x 2000mm curtains

Supplied with an oversized L-shaped curtain rail that can be trimmed down to a straight rail as required

WF27



UK CA | CE

⚙️ Dimensions(mm), Size Options & Product Codes:

Shower Tray Size Options:	1	2	3	4	5	6 750mm
1200-1300	450	430	475	1200-1300	1880	15506L/R
1420-1500	600	455	500	1420-1500	1880	15507L/R
1700-1800*	600	622	572	1700-1800	1880	15522L/R

Model features a straight rail rather than curved

Please note: Sliding screen compensators give 14.5mm adjustment inwards and outwards.

*Straight curtain rail supplied.

L/R in the product code denotes whether the screen is Left or Right handed.

SM

Sliding: Option SM

Features & Benefits

- + Handed
- + Suitable for all trays and wet floors

Specifications

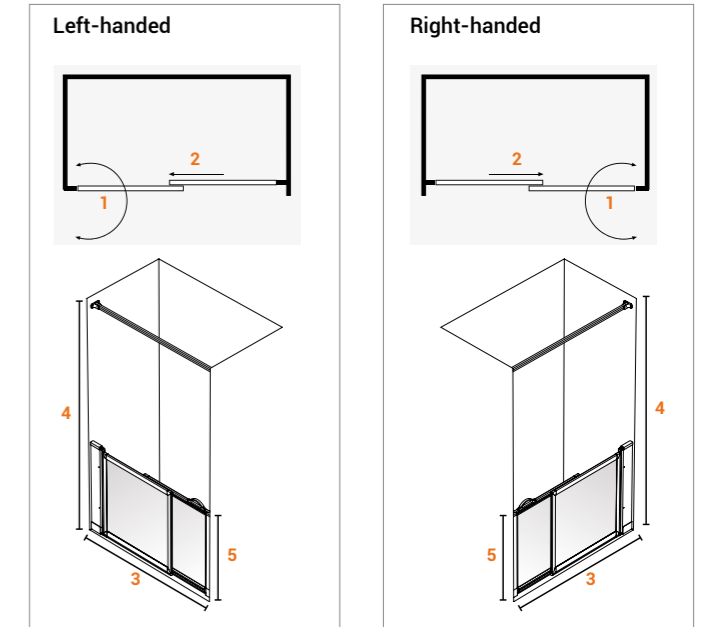
L-shaped curtain rail supplied - can be cut to fit

Handles are included

Supplied with 2 x 1800mm x 2000mm curtains

Supplied with an oversized L-shaped curtain rail that can be trimmed down to a straight rail as required

WF20



UK CA | CE

⚙️ Dimensions(mm), Size Options & Product Codes:

Shower Tray Size Options:	1	2	3	4	5 750mm
900-1000	538	493	900-1000	1880	15503L/R
1200-1300	688	643	1200-1300	1880	15504L/R
1420-1500	788	743	1420-1500	1880	15505L/R

Please note: Sliding screen compensators give 14.5mm adjustment inwards and outwards on one side only.

L/R in the product code denotes whether the screen is Left or Right handed.

SN

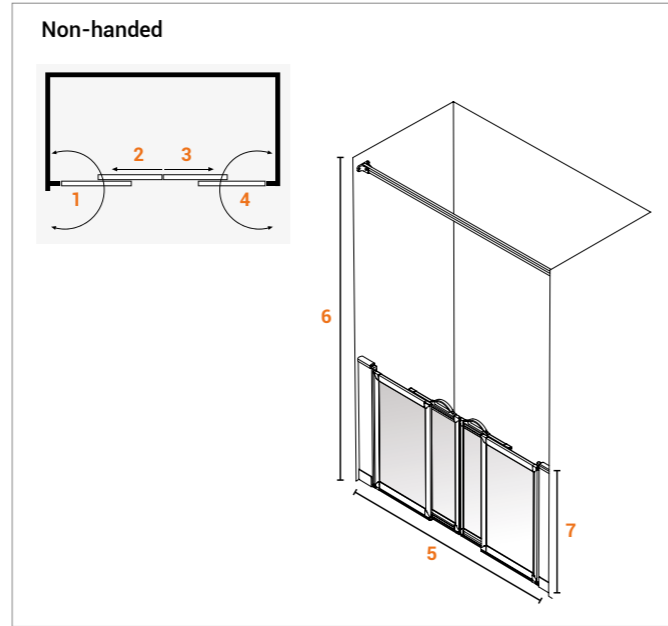
Sliding: Option SN

Features & Benefits

- + Non-handed
- + Suitable for all trays and wet floors

Specifications

- L-shaped curtain rail supplied - can be cut to fit
- Handles are included
- Supplied with 2 x 1800mm x 2000mm curtains
- Supplied with an oversized L-shaped curtain rail that can be trimmed down to a straight rail as required



UK CA CE

Dimensions(mm), Size Options & Product Codes:

Shower Tray Size Options:	1	2	3	4	5	6	7 750mm
1200-1300	402	325	325	402	1200-1300	1880	15508
1420-1500	452	402	402	452	1420-1500	1880	15509
1700-1800*	527	477	477	527	1700-1800	1880	15510

Please note: Sliding screen compensators give 14.5mm adjustment inwards and outwards.
*Straight curtain rail supplied.

SU

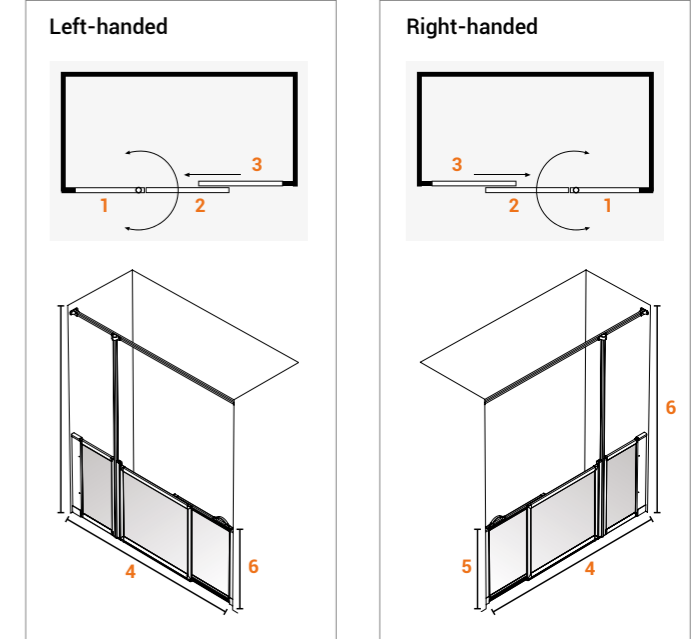
Sliding: Option SU

Features & Benefits

- + Handed
- + Suitable for all trays and wet floors

Specifications

- L-shaped curtain rail supplied - can be cut to fit
- Handles are included
- Supplied with 2 x 1800mm x 2000mm curtain
- Supplied with an oversized L-shaped curtain rail that can be trimmed down to a straight rail as required



UK CA CE

Dimensions(mm), Size Options & Product Codes:

Shower Tray Size Options:	1	2	3	4	5	6 750mm
1135-1300	450	500	455	1135-1300	1880	15511L/R
1420-1500	600	525	480	1420-1500	1880	15512L/R
1700-1800*	800	575	528	1700-1800	1880	15513L/R

Please note: Compensators are set at mid point giving 14.5mm in and out adjustment on door hinge side only.
*Straight curtain rail supplied.

L/R in the product code denotes whether the screen is Left or Right handed.

Sliding: Option SX

Features & Benefits

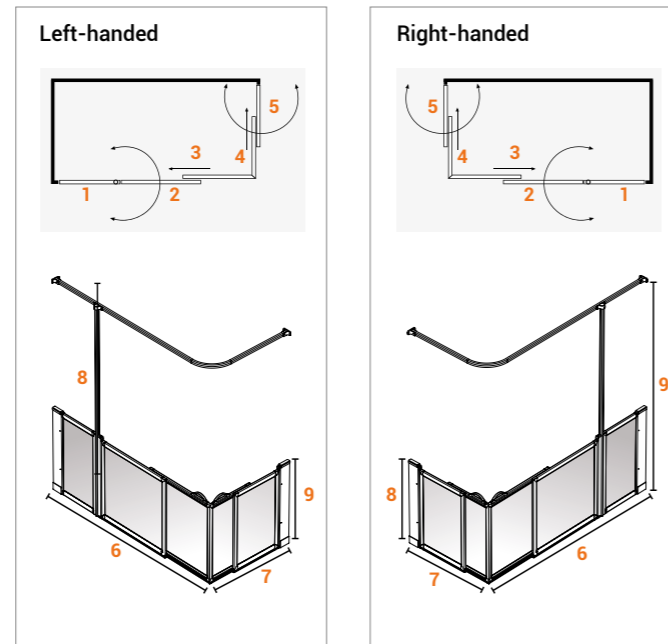
- + Handed
- + Suitable for all trays and wet floors
- + Supplied with special corner blocks designed to be trimmed on site to accommodate any radius to coved slip-resistant flooring

Specifications

L-shaped curtain rail supplied - can be cut to fit

Handles are included

Supplied with 2 x 1800mm x 2000mm curtains



⚙️ Dimensions(mm), Size Options & Product Codes:

Shower Tray Size Options:	1	2	3	4	5	6	7	8	9 750mm
1200-1300	450	513	465	420	468	1200-1300	700-820	1880	15514L/R
1420-1500	600	538	490	420	468	1420-1500	700-820	1880	15515L/R
1700-1800	800	581	543	420	468	1700-1800	700-820	1880	15516L/R

Please note: Sliding screen compensators give 14.5mm adjustment inwards and outwards.

L/R in the product code denotes whether the screen is Left or Right handed.

Sliding: Option SY

Features & Benefits

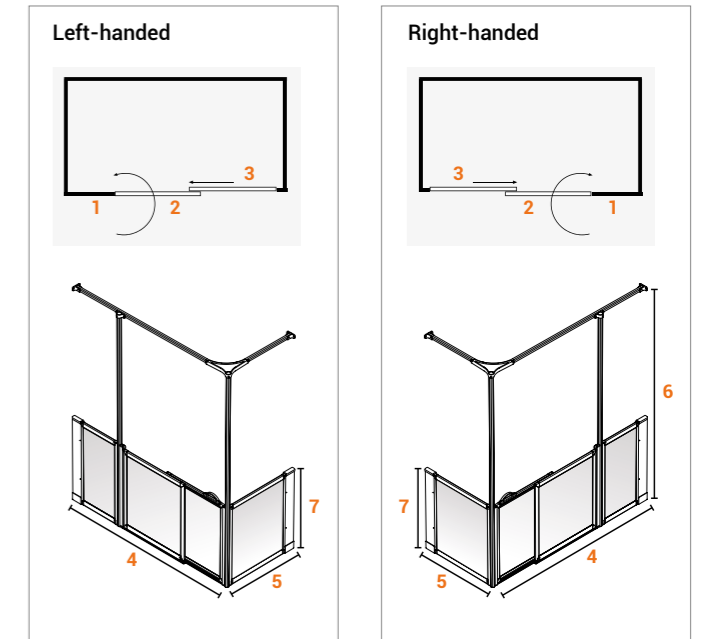
- + Handed
- + Suitable for all trays and wet floors
- + Supplied with special corner blocks designed to be trimmed on site to accommodate any radius to coved slip-resistant flooring

Specifications

L-shaped curtain rail supplied - can be cut to fit

Handles are included

Supplied with 2 x 1800mm x 2000mm curtains



⚙️ Dimensions(mm), Size Options & Product Codes:

Shower Tray Size Options:	1	2	3	4	5	6	7 750mm
1200-1300 x 700	450	500	455	1200-1300	700	1880	15517L/R
1200-1300 x 820	450	500	455	1200-1300	820	1880	15518L/R
1420-1500 x 700	600	525	481	1420-1500	700	1880	15519L/R
1420-1500 x 820	600	525	481	1420-1500	820	1880	15520L/R

Please note: Sliding screen compensators give 14.5mm adjustment inwards and outwards.

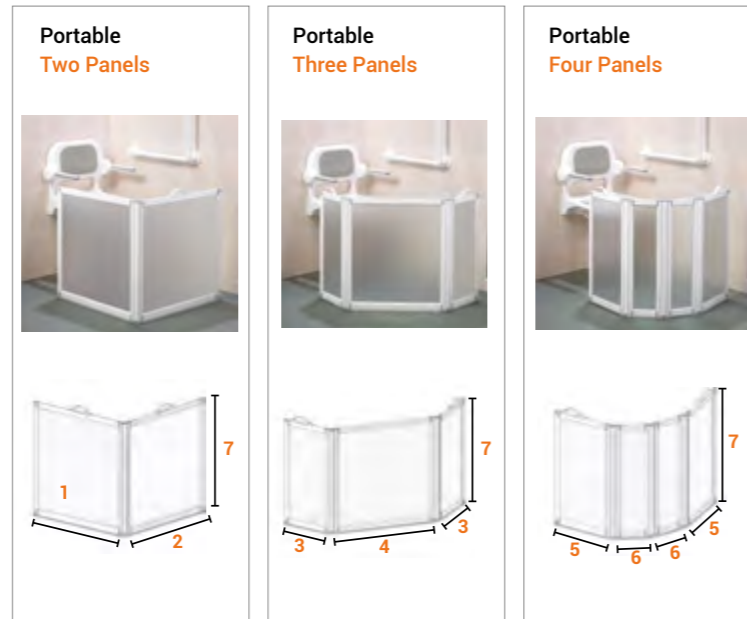
L/R in the product code denotes whether the screen is Left or Right handed.

Freeway Portable Shower Screens

At 750mm and 900mm high, Freeway screens are ideal for use as a splash protector and can be used on designated trays or wet floors.

Features & Benefits

- + Portable
- + Suitable for shower trays and wet floors
- + D-handles fitted as standard for ease of lifting and placement
- + Weight is between 10-13kg
- + Two, three and four panelled versions available
- + If a custom size is required, please contact Customer Services or refer to the Made to Measure section



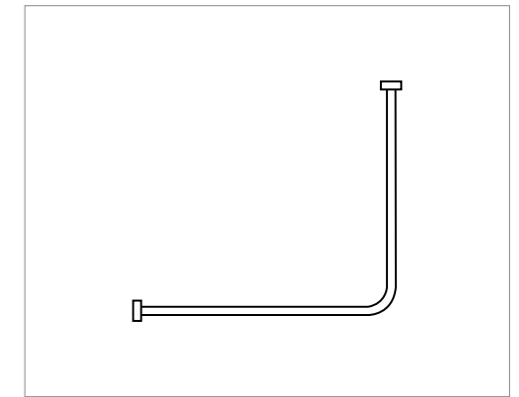
⚙️ Dimensions(mm), Size Options & Product Codes:

Shower Screen Size Options:	1	2	3	4	5	6	Product Code	
							750mm	900mm
Two Panels: 650 x 650	650	650	-	-	-	-	15166	15342
Two Panels: 750 x 750	750	750	-	-	-	-	15165	15343
Two Panels: 1000 x 1000	1000	1000	-	-	-	-	15137	15344
Three Panels: 350 x 700	-	-	350	700	-	-	15136	15301
Four Panels: 400 x 225	-	-	-	-	400	225	15135	15345

Curtain Rails: L-Shaped

Product Codes

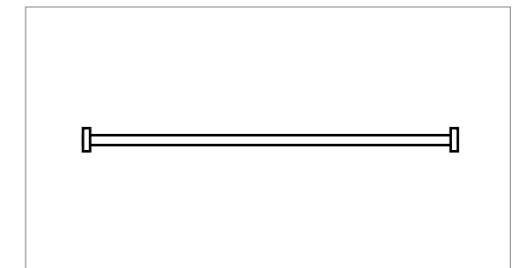
1000 x 1000mm L-Shaped Curtain Rail	24043
1500 x 1200mm L-Shaped Curtain Rail	24126
1800 x 820mm L-Shaped Curtain Rail	24039
2000 x 1000mm L-Shaped Curtain Rail	24048
1800 x 820mm L-Shaped Curtain Rail (to fit Silverdale® Screen)	24039-S
1800x820mm L Shaped Curtain Rail – Grey	24039G
1000x1000mm L Shaped Curtain Rail - Grey	24043G
1500x1200mm L Shaped Curtain Rail - Grey	24126G
Made-to-Msre L-Shaped Curtain Rail (up to 2530mm)	27202LS
Made-to-Msre L-Shaped Curtain Rail (2530-3180mm)	27202LM
Made-to-Msre L-Shaped Curtain Rail (3180-3550mm)	27202LL
Curtain rail to pole - Grey	15-006-791X1
Curtain Rail Corner to Pole Grey	15-006-792
Curtain Rail Corner Bracket	07127



Curtain Rails: Straight

Product Codes

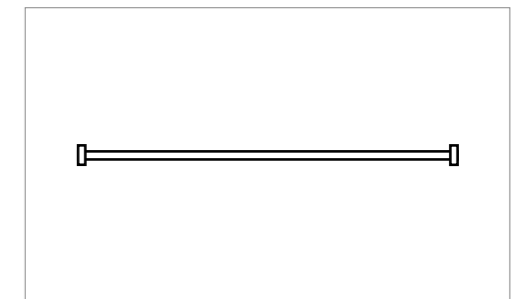
1900mm Straight Curtain Rail	24018
1900mm Straight Curtain Rail – Grey	24018G
2135mm Straight Curtain Rail	24049
Made-to-Measure Straight Curtain Rail (up to 3180mm)	27202S
2530mm Silverdale® Straight Curtain Rail	24067-S



Curtain Rails: Bendy

Product Codes

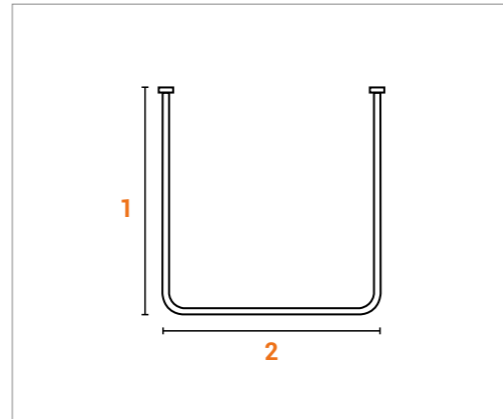
2000mm Bendy Curtain Rail	24033
2000mm Bendy Curtain Rail and 2 Drop Rods	24033DR
2500mm Bendy Curtain Rail	24034
2500mm Bendy Curtain Rail and 2 Drop Rods	24034DR
3000mm Bendy Curtain Rail	24044
3000mm Bendy Curtain Rail and 2 Drop Rods	24044DR



Curtain Rails: U-Shaped

Features & Benefits

- + U-shaped curtain rail
- + Can be made-to-measure (3600mm max) – specify your chosen tray and screen combination when ordering
- + Can be cut-to-length to suit installation
- + Includes two upright support posts (necessary for structural stability)
- + All curtain rails include two packs of hooks and gliders. Shower curtains are not included and should be ordered separately.



⚙️ Dimensions(mm), Size Options & Product Codes:

Shower Tray Size Options:	1	2	Code:
900 x 900	900	820	24219
1000 x 700	720	920	24002
1000 x 1000	1000	920	24217
1050 x 1050	1050	970	24010
1135 x 770	770	1050	24220
1200 x 820	810	1120	24045
1200 x 1200	1200	1120	24009
1250 x 750	750	1170	24017
1300 x 700	700	1300	24027
1300 x 820	820	1220	24095
1350 x 750	750	1270	24218
1420 x 820	820	1340	24091
1470 x 750	750	1390	24014
1500 x 820	820	1420	24047
1500 x 900	1500	900	24068*
1700 x 700	700	1620	24046
1800 x 820	820	1720	24026
1850 x 750	750	1770	24021

Made-to-Measure U-Shaped Curtain Rail (up to 2530mm)	27202US
Made-to-Measure U-Shaped Curtain Rail (2530-3180mm)	27202UM
Made-to-Measure U-Shaped Curtain Rail (3180-3550mm)	27202UL
Made-to-Measure Silverdale® U-shaped curtain rail (up to 2530mm)	27202-US-S

* Also available as rail only

32mm Diameter Upright Pole Extension Kit

Features & Benefits

- + Designed to give additional strength and rigidity to any screen options with a post
- + 950mm length (can be cut to length as required)

Product Codes

Upright Pole Extension Kit (Standard)	24212
Upright Pole Extension Kit (Silverdale®)	24212S
Upright Pole Extension Kit Fittings (Standard)	24224
Upright Pole Extension Kit Fittings (Silverdale®)	24224S



32mm Diameter Back Support Pole

Features & Benefits

- + Suitable for vertical poles where upright support posts may need additional support
- + 950mm length (can be cut to suit tray width)

Product Codes

Back Support Pole (Standard)	24211
Back Support Pole (Silverdale®)	24211S
Fitting Pack for Back Support Pole (Standard)	24221
Fitting Pack for Back Support Pole (Silverdale®)	24221S



Drop Rods

Product Codes

Standard Drop Rod (600mm)	drop.rod
Extra Long Drop Rod (2000mm)	BEL131
Silverdale® Drop Rod	07-002-543
Single Curtain Rail Support Kit	ACRS1.Kit
Double Curtain Rail Support Kit	ACRS2.Kit



Window Spanning Kit

Features & Benefits

- + Robust, easy to fit and trimmable
- + Kit includes special wall bracket, hooks and gliders and a single curtain (1400mm long)

Product Codes

Window Spanning Kit (Standard)	24210
Window Spanning Kit (Silverdale®)	24210S
Additional Wall-Fixing Brackets (Standard)	24213
Additional Wall-Fixing Brackets (Silverdale®)	24213S



Extra Wide Compensator

Features & Benefits

- + Designed to give approximately 50mm additional width to a standard shower screen enclosure area. Also for use with a pipe duct kit or where pipes have been boxed in.
- + 105mm width

Specifications

50mm additional width with +/- 14.5mm in and out to achieve extra 35.5mm (min) – 64.5mm (max)

Product Codes

Size	Wet Floor	Standard
750mm (Non-Handed)	24139	24130
750mm (Left)	24140	24131
750mm (Right)	24141	24132
900mm (Non-Handed)	24142	24133
900mm (Left)	24143	24134
900mm (Right)	24144	24135
1870mm (Non-Handed)	24145	24136
1870mm (Left)	24146	24137
1870mm (Right)	24147	24138



i Not for use with Silverdale® screens

i Supplied as standard with screens for 760mm wide trays

Shower Curtain Clip

Features & Benefits

- + Simple hinge clip design, easily clips to the edge of the curtain to lock, and unclips to release
- + Tight grip – particularly beneficial in high use shower areas where the water escaping the shower area often builds up quicker than it can dry
- + Easy-release clasp
- + Self-adhesive fitting strip and fixing points if required

Product Code

AKW Shower Curtain Clip 2m	30084
----------------------------	-------



Standard Shower Curtain

Features & Benefits

- + 1800 x 2000mm weighted curtains are supplied as standard with all enclosures
- + Curtain material: 100% woven polyester
- + Sizes shown below are width x drop
- + All individual curtains include two packs of hooks and gliders

Plain White Curtains

Product Codes

900 x 2000mm Drop Shower Curtain	24074
1800 x 1400mm Drop Shower Curtain	24075
1800 x 1800mm Drop Shower Curtain	24076
1800 x 1850mm Drop Shower Curtain	24088
1800 x 1900mm Drop Shower Curtain	24077
1800 x 2000mm Drop Shower Curtain	24078
1800 x 2100mm Drop Shower Curtain	24079
1800 x 2400mm Drop Shower Curtain	24080
2000 x 1800 Drop Shower Curtain	24071
2000 x 2000 Drop Shower Curtain	24072
2135 x 2135mm Drop Shower Curtain	24073
2000 x 2000mm Drop Antibacterial Shower Curtain	24072AB
2400 x 1800mm Drop Shower Curtain	24086
Additional Hooks and Gliders (11 Pack)	24092



Heavy Duty Shower Curtain

Heavy duty shower curtains have the added benefit of being weighted and made from denser material to prevent the curtain billowing.

Features & Benefits

- + Curtain material: 100% woven polyester
- + Sizes shown below are width x drop
- + Plain white

Product Codes

1800 x 2000mm Heavy Duty Shower Curtain	24082
2400 x 2000mm Heavy Duty Shower Curtain	24083
2400 x 1800mm Heavy Duty Shower Curtain	24084
1800 x 1800mm Heavy Duty Shower Curtain	24085



Handles

Features & Benefits

- + Supplied as standard on most corner bi-parting doors but can be supplied on other doors if required
- + Also available in blue (RAL5005) for the partially sighted and in grey (RAL7035) for Silverdale® screens

Product Codes

White D-Handle (Grey capped screens)	24105WH
Blue D-Handle (Grey capped screens)	24105BU
Grey D-Handle (Silverdale® screens)	24105S



Door Latches

Features & Benefits

- + Supplied as standard on all bi-fold and bi-parting doors but can be supplied on other doors if required
- + Also available in blue (RAL5005) for the partially sighted and in grey (RAL7035) for Silverdale® screens

Product Codes

White D-Latch (Grey capped screens)	24106WH
Blue D-Latch (Grey capped screens)	24106BU
Grey D-Latch (Silverdale® screens)	24106S



Shower Cubicles

Replace your bath with a convenient shower cubicle; AKW has a wide variety of cubicles designed to provide future-proof, stylish solutions.

- + Secure and accessible shower area
- + Stable, freestanding cubicles
- + Contemporary design options with a choice of doors for different mobilities
- + Quick and easy installation
- + A range of optional extras available to complete your cubicle
- + Variety of easy-care glass or PET screens
- + Low and level-access options



Onyx Care Pod

Developed alongside local authorities, housing associations, occupational therapists and contractors, the Onyx Care Pod is a stylish yet highly functional standalone cubicle, designed to offer both short-term and future-proofed showering solutions for those who need it most.

One of the many fantastic benefits of the Onyx Care Pod is that cubicle installation is possible within just two days where water, waste and power are provided. This allows for a full adaptation to be completed within two days, vastly reducing inconvenience and fulfilling the needs of the end user much faster.

Features & Benefits

- + Safe and accessible with fully recessed or low-level entry
- + Standalone cubicle that can be installed throughout the home
- + Contemporary design which positively contributes to user well-being
- + Quick and easy installation
- + Watertight when install and used according to manufacturer instructions.
- + Future-proofed showering and toileting solution
- + Full-height Larenco duo door - AKW Duolinx magnetic locking handle
- + Supports a number of mobility aids and accessories
- + 26mm deep, textured shower tray offers a high level of slip resistance, and can be recessed for easier access
- + Vastly reduced installation time – maximum two days, compared to traditional 5-7-day adaptation. This reduces labour costs as well as costs associated with respite or alternative accommodation whilst works take place.
- + Two day installation means less upheaval for client, and more jobs done in a week for the contractor
- + Quick solution for DFG and Social Landlord funded bathroom adaptation backlogs and pressures
- + Lifetime guarantee



For an **installation video** please scan QR code



OT demonstration of Onyx Care Pod, please scan QR code



To view the **OCP brochure** please scan the QR code



Half height carer screen



Full height carer screen

ONYX CARE POD



The Onyx Care Pod and all AKW shower trays, AKW shower screens and AKW shower seats come with a lifetime warranty against manufacturing defects*.

*The lifetime warranty excludes normal wear and tear in general domestic applications. It applies only to products being installed for the first time and according to relevant local and national regulations.



As standard

AKW SmartCare Plus Electric Shower comes with a 5 year warranty as standard*.

AKW Arka Thermostatic Mixer Shower comes with a 5 year warranty as standard*.

AKW electrical items all come with a 5 year warranty.

*Product must be registered within 30 days with AKW Medi-Care Limited or your guarantee will default to 12 months.



As standard

AKW Arka® Thermostatic Mixer Shower comes with a 5 year warranty as standard*.

AKW electrical items come with a 5-year warranty against manufacturing defects*.

Other branded electrical products carry the warranty of the manufacturer.

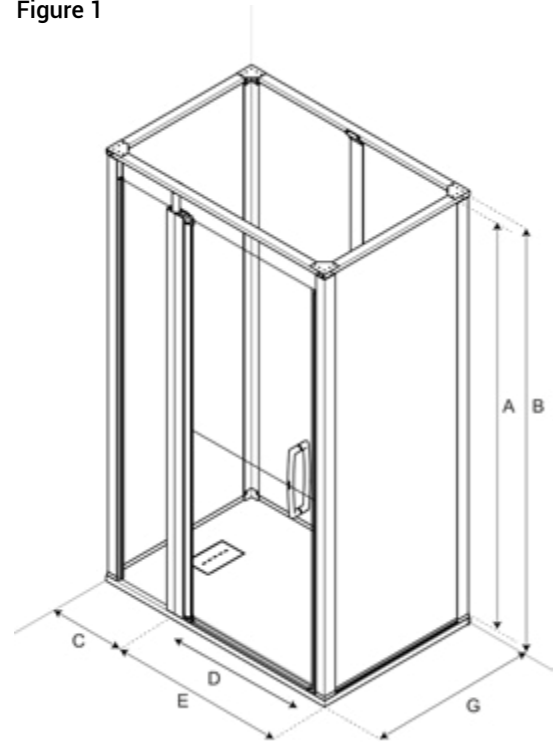


AKW pumps come with a 7-year warranty.

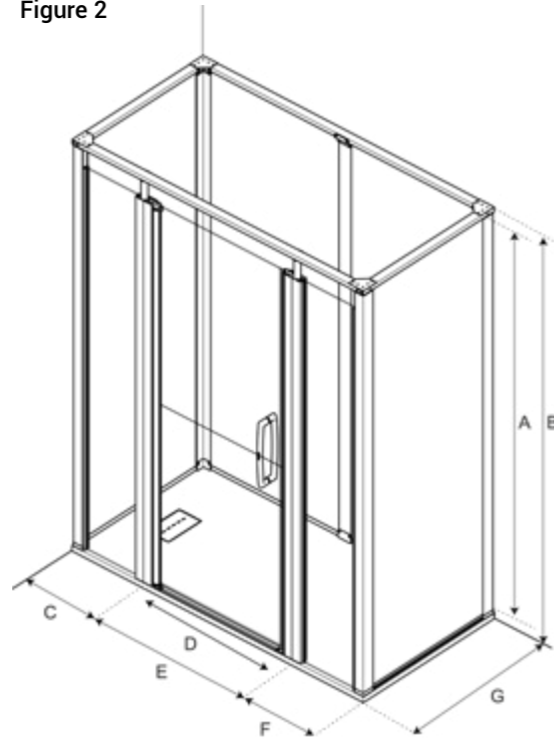
Please refer to our terms and conditions in the AKW catalogue for further information.

Full Height Carer Screen Dimensions

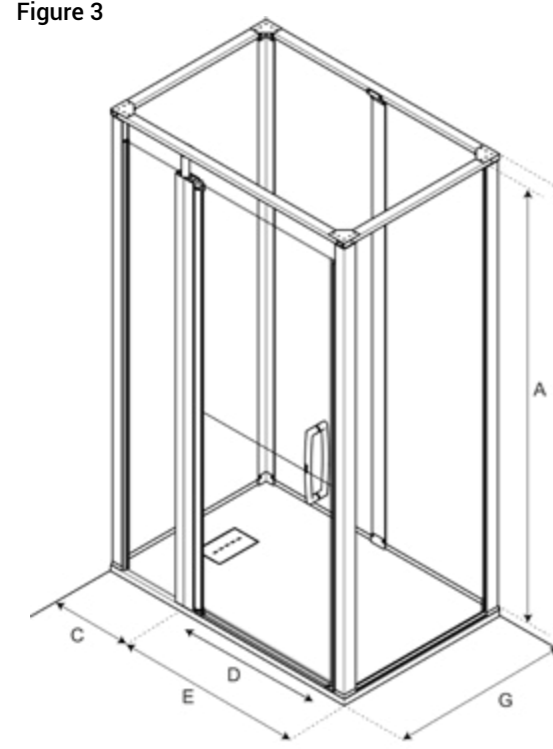
Alcove Duo
Figure 1



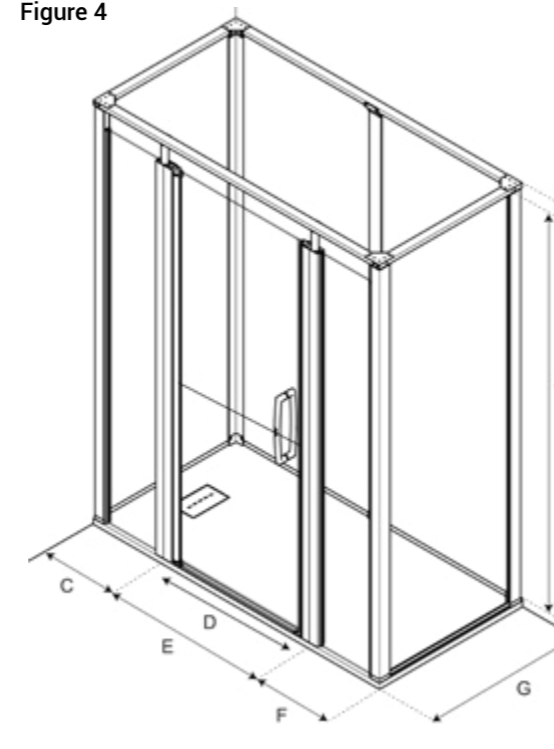
Alcove Duo
Figure 2



Corner Duo
Figure 3



Corner Duo
Figure 4

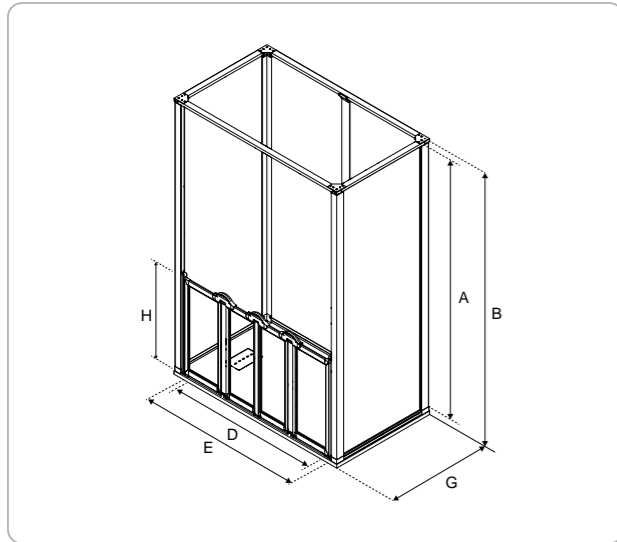


Type	A	B	C	D	E	F	G	H
(Alcove Duo) – Fig 1								
1200 x 800mm	2003	2051	400	725	800	–	800	1900
1200 x 900mm	2003	2051	400	725	800	–	900	1900
1400 x 800mm	2003	2051	400	925	1000	–	800	1900
1400 x 900mm	2003	2051	400	925	1000	–	900	1900
(Alcove Duo) – Fig 2								
1600 x 800mm	2003	2051	400	725	800	400	800	1900
1600 x 900mm	2003	2051	400	725	800	400	900	1900
1700 x 800mm	2003	2051	400	825	900	400	800	1900
1700 x 900mm	2003	2051	400	825	900	400	900	1900
(Corner Duo) – Fig 3								
1200 x 800mm	2003	2051	400	725	800	–	800	1900
1200 x 900mm	2003	2051	400	725	800	–	900	1900
1400 x 800mm	2003	2051	400	925	1000	–	800	1900
1400 x 900mm	2003	2051	400	925	1000	–	900	1900
(Corner Duo) – Fig 4								
1600 x 800mm	2003	2051	400	725	800	400	800	1900
1600 x 900mm	2003	2051	400	725	800	400	900	1900
1700 x 800mm	2003	2051	400	825	900	400	800	1900
1700 x 900mm	2003	2051	400	825	900	400	900	1900

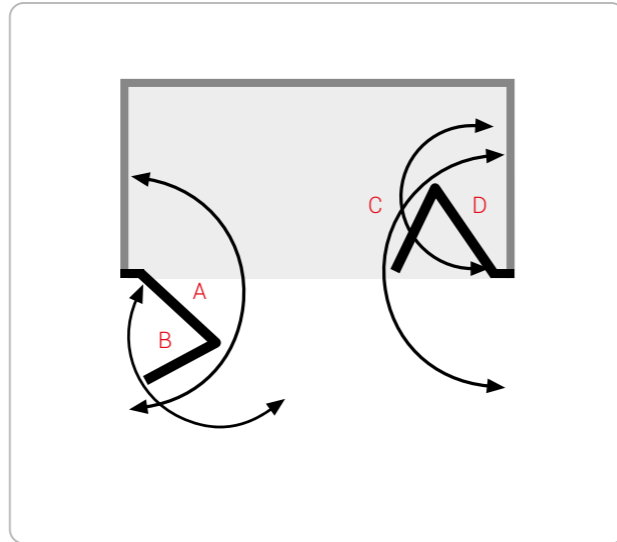
Screen doors are non-handed and can be hung either side.
Dimensions above are in mm

- A = Panel height
- B = Overall height
- C = Left inline panel
- D = Entrance width
- E = Door width
- F = Right inline panel
- G = Depth
- H = Door height

Half Height Carer Screen Dimensions



Alcove / Corner Option N (Fig 5)



Alcove / Corner Option N Door (Fig 6)

Type	A	B	C	D	E	F	G	H
Alcove / Corner Option N (Fig 5)								
1200 x 800	2003	2051	–	1100	1200	–	800	750/900
1200 x 900	2003	2051	–	1100	1200	–	900	750/900
1400 x 800	2003	2051	–	1300	1400	–	800	750/900
1400 x 900	2003	2051	–	1300	1400	–	900	750/900
1600 x 800	2003	2051	–	1500	1600	–	800	750/900
1600 x 900	2003	2051	–	1500	1600	–	900	750/900
1700 x 800	2003	2051	–	1600	1700	–	800	750/900
1700 x 900	2003	2051	–	1600	1700	–	900	750/900

Type	A	B	C	D
Alcove / Corner Option N Door (Fig 6)				
1200 x 800	292	257	257	292
1200 x 900	292	257	257	292
1400 x 800	347	312	312	347
1400 x 900	347	312	312	347
1600 x 800	392	357	357	392
1600 x 900	392	357	357	392
1700 x 800	417	382	382	417
1700 x 900	417	382	382	417

Screen doors are non-handed and can be hung either side
Dimensions above are in mm.

Selection 1 - 9

Option	Selection 1 – Screen options
A	Half Height 750mm
B	Half Height 900mm
C	Full Height DUO
Option	Selection 2 – Length
A	1200mm
B	1400mm
C	1600mm
D	1700mm
Option	Selection 3 – Width
A	800mm
B	900mm
Option	Selection 4 – Enclosure type
A	Alcove
B	Corner
Option	Selection 5 – Handing (external view)
A	Right hand (waste on the right)
B	Left hand (waste on the left)
Option	Selection 6 – Shower options
A	Arka thermostatic care mixer valve
B	9.5kw SmartCare Plus BEAB Care approved electric shower
Option	Selection 7 – Waste options
A	Gravity waste
B	Pumped waste with pump
Option	Selection 8 – Sanitaryware options
A	Raised-height sanitaryware pack including brassware
B	Standard-height sanitaryware pack including brassware
C	Showerloo pack – wall hung toilet pan kit (available to purchase separately code: 23105OCP)
D	No sanitaryware required
Option	Selection 9 – Additional care products that come as a standard with all Care Pods
A	Mid-grey steel grab rail (450mm) x 2
	2000 series mid-grey, fold-up padded shower seat with height adjustable leg kit
	Moisture-resistant LED light – 18W

Onyx Care Pod Rubber Threshold Ramps

Available to purchase alongside Onyx Exclusif shower trays and the Onyx Care Pod, our range of versatile rubber threshold ramps have been designed to enable users with limited mobility to navigate the shallow 26mm step when installed above the floor.

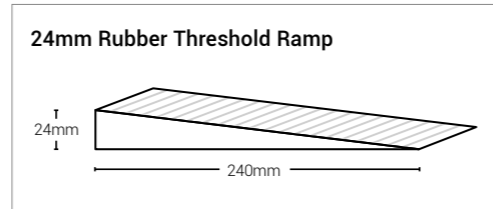
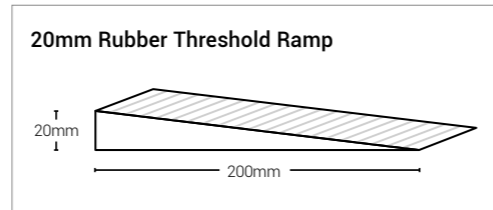
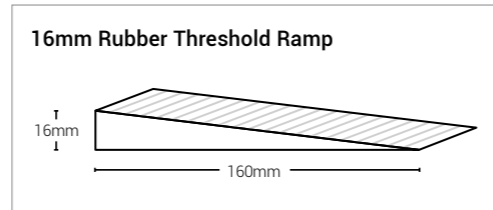
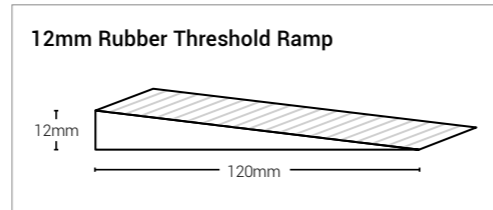
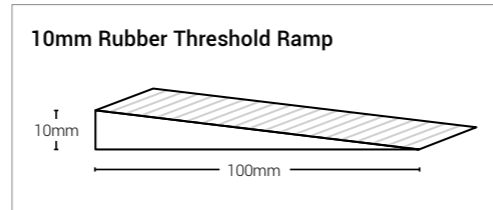
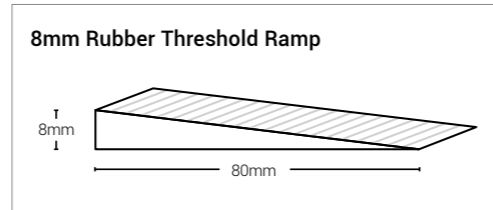
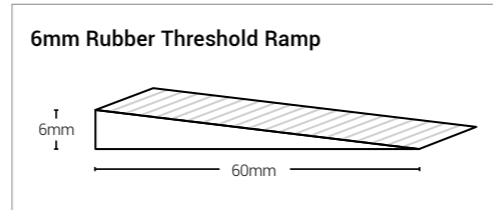
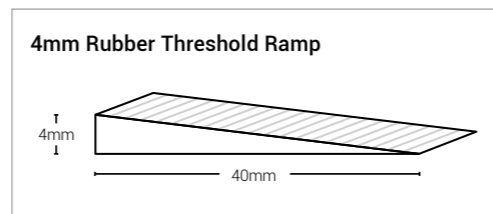
Features & Benefits

- + Non-slip, ridged surface
- + Suitable for use with wheelchairs
- + Removable, ideal for multi-user environments
- + 1:10 gradient
- + Made from high-quality 100% recycled rubber
- + Available in 8 different heights
- + 78st / 500kg loading capacity
- + Width: 1m
- + Width can be trimmed down to size
- + Can be installed retrospectively
- + Available in black

Product Codes

4mm Rubber Threshold Ramp	25080
6mm Rubber Threshold Ramp	25081
8mm Rubber Threshold Ramp	25082
10mm Rubber Threshold Ramp	25083
12mm Rubber Threshold Ramp	25084
16mm Rubber Threshold Ramp	25085
20mm Rubber Threshold Ramp	25086
24mm Rubber Threshold Ramp	25087

Onyx Exclusif Ramps also available please see [page 98](#)



Standalone Shower Cubicle

A standalone cubicle provides a comfortable showering solution that can be quickly installed in any room or bedroom, making it an ideal solution when an existing bathroom cannot be accessed and a quick adaptation is required.

Features & Benefits

- + Self-contained cubicle means no alterations to the walls are required
- + Suitable for when floors cannot be breached
- + Can be installed into any room up or downstairs
- + Quick to install kit causing minimum disruption – meaning that a room can be converted quickly
- + Easy to fit with slot-together profile system
- + Can easily be moved if circumstances change
- + Uses Braddan or Sulby shower trays from current AKW product range providing both level-access and surface-mounted solutions
- + Gravity and pumped waste options available
- + Compatible with popular AKW carer screen options E and M offering optimal access
- + Transparent ceiling panel for improved lighting
- + Compatible with AKW showers, seats and grab rails
- + Optional grab rail and/or riser rail can be fitted to assist with access and use
- + Optional ramp provides easy access when used with a surface-mounted shower tray option

Specifications

PET glazed screens and ceiling panel

Polypropylene back and side panels

All cubicles include tray, screen, waste, curtain rail, curtain, gliders and fixings



Standalone Shower Cubicle: Option E

Features & Benefits

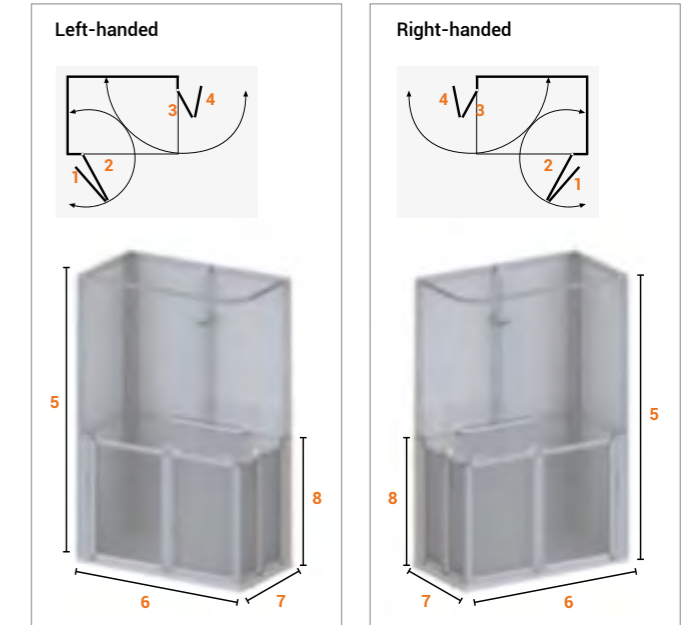
- + Bi-folding doors
- + Handed
- + Available with Sulby or Braddan shower trays

Specifications

Latches and handle are included on Option E cubicles

Ramps and grab rails are available as optional extras

Supplied with 2 x 1800mm x 1800mm curtains



Dimensions(mm), Size Options & Product Codes:

Shower Tray Size Options:	1	2	3	4	5	6	7	8	Codes (L/R):
1200 x 700 (Sulby)	532	577	327	282	2100	1200	700	750	23731SL-UK 23731SR-UK
1200 x 820 (Sulby)	532	577	387	342	2100	1200	820	750	23735SL-UK 23735SR-UK
1200 x 700 (Braddan Gravity)	532	577	327	282	2050	1200	700	750	23731BGL-UK 23731BGR-UK
1200 x 820 (Braddan Gravity)	532	577	387	342	2050	1200	820	750	23735BGL-UK 23735BGR-UK
1200 x 700 (Braddan Uplift)	532	577	327	282	2050	1200	700	750	23731BPL-UK 23731BPR-UK
1200 x 820 (Braddan Uplift)	532	577	387	342	2050	1200	820	750	23735BPL-UK 23735BPR-UK

L/R in the product code denotes whether the screen is Left or Right handed.

Standalone Shower Cubicle: Option M

Features & Benefits

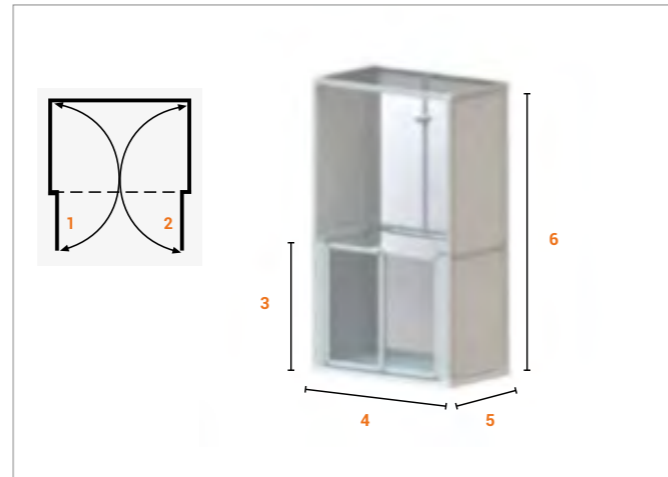
- + Bi-folding doors
- + Non - handed
- + Available with Sulby or Braddan shower trays

Specifications

Latches and handle are included on Option M cubicles

Ramps and grab rails are available as optional extras

Supplied with 2 x 1800mm x 1800mm curtains



⚙️ Dimensions(mm), Size Options & Product Codes:

Shower Tray Size Options:	1	2	3	4	5	6	Code:
1200 x 700 (Sulby)	547	547	750	1200	700	2100	23711S-UK
1200 x 820 (Sulby)	547	547	750	1200	820	2100	23717S-UK
1200 x 700 (Braddan Gravity)	547	547	750	1200	700	2050	23711BG-UK
1200 x 820 (Braddan Gravity)	547	547	750	1200	820	2050	23717BG-UK
1200 x 700 (Braddan Uplift)	547	547	750	1200	700	2050	23711BP-UK
1200 x 820 (Braddan Uplift)	547	547	750	1200	820	2050	23717BP-UK

Optional Extras

Description	Dimensions	Product Code:
Straight ramp for Sulby Trays	700mm (w) x 480mm (d) x 90mm (h)	25009
40mm Straight Ramp for use with Braddan Trays (1800mm long)	1800mm (w) x 40mm (h)	25002
T Shape SS epoxy coated grab rail – White	1110mm x 300mm x 300mm	01246WH

Showerloo Shower Cubicle

AKW's Showerloo can be installed anywhere in the home to provide a cost-effective permanent or temporary showering solution.

Features & Benefits

- + Non-handed to fit left or right to accommodate various site conditions
- + Self-contained cubicle, for a quick temporary solution
- + Available with Braddan shower trays
- + Gravity and pumped waste options available
- + Showerloo cubicles have access panel as standard, for easy maintenance access

Specifications

Handles are included with Showerloo cubicles

Ramps and grab rails are available as optional extras

All Showerloo cubicles include tray, screen, waste, glazed ceiling, curtain, rail, gliders and fixings

PET glazed screen and ceiling panel

Polypropylene back and side panels

Minimum width required for access panel is 435mm /17inch



⚙️ Dimensions(mm), Size Options & Product Codes:

Shower Tray Size Options:	1	2	3	4	5	6	Code:
1200 x 700	547	547	1200	700	750	1966	23800 BG-UK
1200 x 820	547	547	1200	820	750	1966	23801 BG-UK

Additional Products

Wall Hung Livenza WC Pack

23105L

Onyx Shower Cubicle: Sliding Door

Quick and easy to install with much less preparation and decorative work required, Onyx Shower Cubicles are an ideal adaptation solution.

Features & Benefits

- + Standalone shower cubicle with Larenco sliding door for a stylish temporary solution
- + Alcove and corner configurations available to suit requirements
- + Low-level (26mm) anti-slip Onyx shower tray with textured slate effect
- + 6mm glass with Stay Clear coating for safety and easy cleaning
- + 100% waterproof panels available in white ensures peace of mind
- + Optional extras (grab rails, seats and showers) available to complete your cubicle

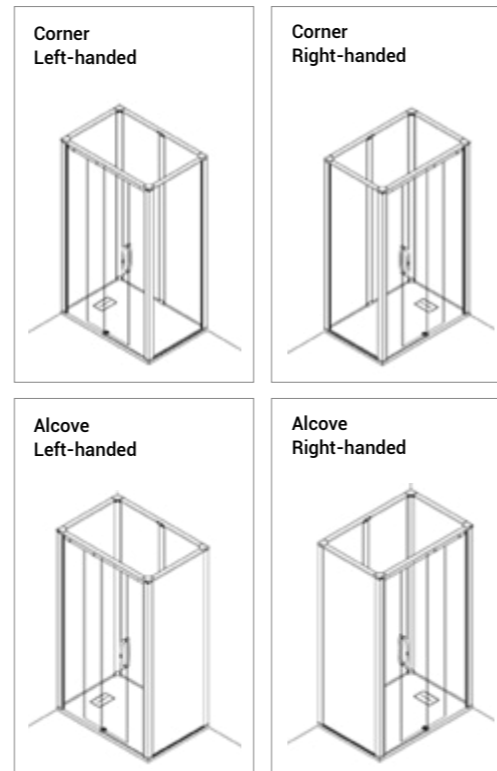


Aluminium profiles

Four lengths available, from 1200-1700mm
 Two widths available, 800mm and 900mm
 2m height
 300mm filler panel included
 Waste not included

Product Codes

Alcove 1200x800mm	1280SLLAWH/1280SLRAWH
Alcove 1200x900mm	1290SLLAWH/1290SLRAWH
Alcove 1400x800mm	1480SLLAWH/1480SLRAWH
Alcove 1400x900mm	1480SLLAWH/1480SLRAWH
Alcove 1600x800mm	1490SLLAWH/1490SLRAWH
Alcove 1600x900mm	1690SLLAWH/1690SLRAWH
Alcove 1700x800mm	1780SLLAWH/1780SLRAWH
Alcove 1700x900mm	1790SLLAWH/1790SLRAWH
Corner 1200x800mm	1280SLLCWH/1280SLRCWH
Corner 1200x900mm	1290SLLCWH/1290SLRCWH
Corner 1400x800mm	1480SLLCWH/1480SLRCWH
Corner 1400x900mm	1490SLLCWH/1490SLRCWH
Corner 1600x800mm	1680SLLCWH/1680SLRCWH
Corner 1600x900mm	1690SLLCWH/1690SLRCWH
Corner 1700x800mm	1780SLLCWH/1780SLRCWH
Corner 1700x900mm	1790SLLCWH/1790SLRCWH



i Compatible with AKW Digipumps on [page 144](#)

L/R in the product code denotes whether the screen is Left or Right handed.

Onyx Shower Cubicle: Classic

Features & Benefits

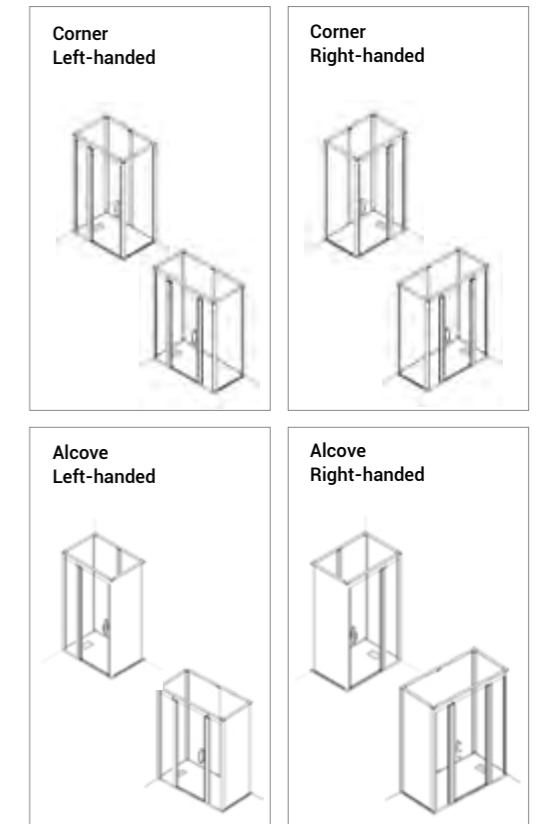
- + Standalone shower cubicle with Larenco classic glass screens for a stylish temporary solution
- + Alcove and corner configurations available to suit requirements
- + Low-level (26mm) anti-slip Onyx shower tray with textured slate effect
- + 6mm glass with Stay Clear coating for safety and easy cleaning
- + 100% waterproof panels available in white ensures peace of mind
- + Optional extras (grab rails, seats and showers) available to complete your cubicle

Aluminium profiles

Three lengths available, from 1400-1700mm
 Two widths available, 800 and 900mm
 2m height
 300mm filler panel included
 Waste not included

Product Codes

Alcove 1200x800mm	1280CDLAWH/1280CDRAWH
Alcove 1200x900mm	1290CDLAWH/1290CDRAWH
Alcove 1400x800mm	1480CDLAWH/1480CDRAWH
Alcove 1400x900mm	1490CDLAWH/1490CDRAWH
Alcove 1600x800mm	1680CDLAWH/1680CDRAWH
Alcove 1600x900mm	1690CDLAWH/1690CDLRWH
Alcove 1700x800mm	1780CDLAWH/1780CDRAWH
Alcove 1700x900mm	1790CDLAWH/1790CDRAWH
Corner 1200x800mm	1280CDLCWH/1280CDRCWH
Corner 1200x900mm	1290CDLCWH/1290CDRCWH
Corner 1400x800mm	1480CDLCWH/1480CDRCWH
Corner 1400x900mm	1490CDLCWH/1490CDRCWH
Corner 1600x800mm	1680CDLCWH/1680CDRCWH
Corner 1600x900mm	1690CDLCWH/1690CDRCWH
Corner 1700x800mm	1780CDLCWH/1780CDRCWH
Corner 1700x900mm	1790CDLCWH/1790CDRCWH



i Compatible with AKW Digipumps on [page 144](#)

L/R in the product code denotes whether the screen is Left or Right handed.

Onyx Shower Cubicle: Saloon

Features & Benefits

- + Standalone shower cubicle with Larenco saloon glass screens for a stylish temporary solution
- + Alcove and corner configurations available to suit requirements
- + Low-level (26mm) anti-slip Onyx shower tray with textured slate effect
- + 6mm glass with Stay Clear coating for safety and easy cleaning
- + 100% waterproof panels available in white ensures peace of mind
- + Optional extras (grab rails, seats and showers) available to complete your cubicle

Aluminium Profiles

Four lengths available, from 1200-1700mm

Two widths available, 800mm and 900mm

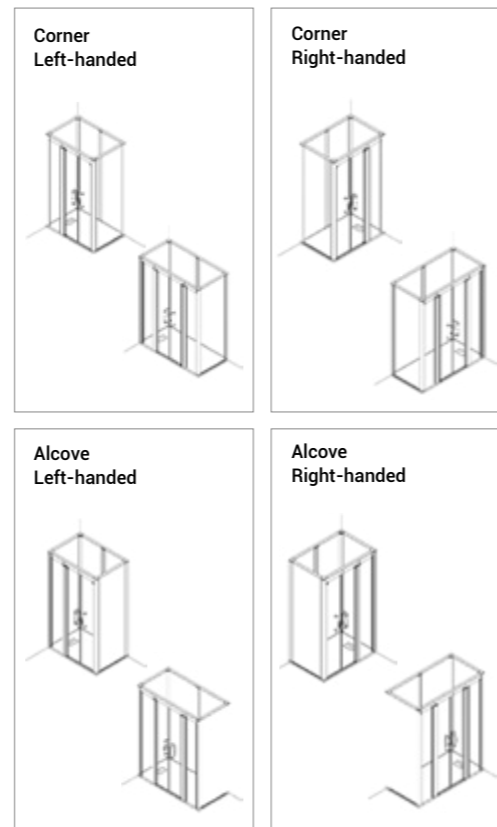
2m height

300mm filler panel included

Waste not included

Product Codes

Alcove 1200x800mm	1280SDLAWH/1280SDRAWH
Alcove 1200x900mm	1290SDLAWH/1290SDRAWH
Alcove 1400x800mm	1480SDLAWH/1480SDRAWH
Alcove 1400x900mm	1490SDLAWH/1490SDRAWH
Alcove 1600x800mm	1680SDLAWH/1680SDRAWH
Alcove 1600x900mm	1690SDLAWH/1690SDRAWH
Alcove 1700x800mm	1780SDLAWH/1780SDRAWH
Alcove 1700x900mm	1790SDLAWH/1790SDRAWH
Corner 1200x800mm	1280SDLCWH/1280SDRCWH
Corner 1200x900mm	1290SDLCWH/1290SDRCWH
Corner 1400x800mm	1480SDLCWH/1480SDRCWH
Corner 1400x900mm	1490SDLCWH/1490SDRCWH
Corner 1600x800mm	1680SDLCWH/1680SDRCWH
Corner 1600x900mm	1690SDLCWH/1690SDRCWH
Corner 1700x800mm	1780SDLCWH/1780SDRCWH
Corner 1700x900mm	1790SDLCWH/1790SDRCWH



i Compatible with AKW Digipumps on [page 144](#)

L/R in the product code denotes whether the screen is Left or Right handed.

Onyx Shower Cubicle: Level Best

Features & Benefits

- + Standalone shower cubicle with Level Best glass screen for a stylish temporary solution
- + Alcove and corner configurations available to suit requirements
- + Low-level (26mm) anti-slip Onyx shower tray with textured slate effect
- + 6mm glass with Stay Clear coating for safety and easy cleaning
- + 100% waterproof panels available in white ensures peace of mind
- + Optional extras (grab rails, seats and showers) available to complete your cubicle

Aluminium profiles

Three lengths available, from 1400-1700mm

Two widths available, 800 and 900mm

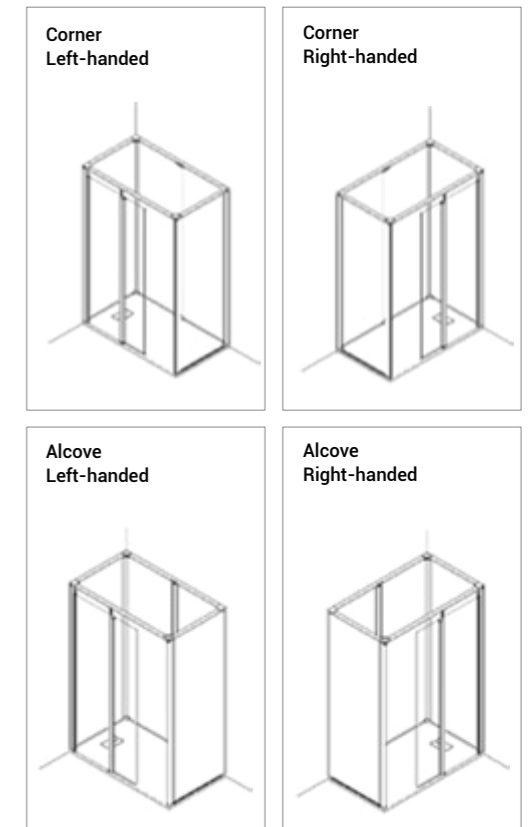
2m height

300mm filler panel included

Waste not included

Product Codes

Alcove 1400x800mm	1480LBLAWH/1480LBRAWH
Alcove 1400x900mm	1490LBLAWH/1490LBRAWH
Alcove 1600x800mm	1680LBLAWH/1680LBRAWH
Alcove 1600x900mm	1690LBLAWH/1690LBRAWH
Alcove 1700x800mm	1780LBLAWH/1780LBRAWH
Alcove 1700x900mm	1790LBLAWH/1790LBRAWH
Corner 1400x800mm	1480LBLCWH/1480LBCRWH
Corner 1400x900mm	1490LBLCWH/1490LBCRWH
Corner 1600x800mm	1680LBLCWH/1680LBCRWH
Corner 1600x900mm	1690LBLCWH/1690LBCRWH
Corner 1700x800mm	1780LBLCWH/1780LBCRWH
Corner 1700x900mm	1790LBLCWH/1790LBCRWH



i Compatible with AKW Digipumps on [page 144](#)

L/R in the product code denotes whether the screen is Left or Right handed.



Showers



Electric Showers	267
AKW SmartCare Plus	268
Wireless Remote	271
AKW SmartCare Lever	272
iTherm	275
Shower Isolator Switch	278
Additional Electric Showers	279
Mixer Showers	281
Arka Care Cool Touch Mixer Valve	282
Arka Thermostatic Mixer Valve	282
Onyx Combo Mixer Shower	286
Vettora	288
Additional Mixer Showers	289
Rain Head Shower	290
On/Off Shower Head Handset	292
Eco-Save Mixer Shower	295
Easy Clean Shower Head	294

SHOWERS

You may also need:

Shower Screens 153	Wall Panels 299	Tiles & Accessories 315	Safety Flooring 323
Timber 329	Mobility Support 331	Plumbing Fittings 549	



The AKW SmartCare Lever electric shower has been awarded DSDC Dementia-friendly product accreditation. See page 566 for more information.



Electric Showers

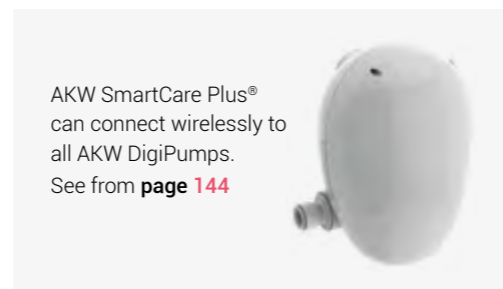
Showering is an important part of life, which is why we offer innovative electric care showers, many designed in-house by AKW, to ensure a safe and comfortable experience, whatever the space or need.

AKW SmartCare Plus®

Intelligently designed to make showering an easier and less stressful experience for those with visual impairment or dementia, the SmartCare Plus electric shower benefits from a number of innovative care features and comes with a care accessory kit which addresses a range of clinical needs.

Care Features

- + Easy-to-use, push-button controls are grouped closely together and feature contrasting, raised tactile symbols to aid users with visual impairment and dementia
- + LED-illuminated indicators and audible beeps confirm adjustment in temperature and flow settings, ideal for those with visual impairment and dementia
- + Shower memorises last user setting for ease of use
- + RNIB mode which enables the shower to be turned on with pre-defined settings
- + Matt finish central control panel aids those with visual impairment and dementia
- + Rounded surfaces and edges reduce the risk of injury in the event of a trip or fall
- + BEAB Care certified, RNIB tried and tested, and DSDC dementia-friendly product accredited
- + Thermostatically stabilised temperature
- + Maximum water temperature protection with thermal cut-out device to protect shower unit from overheating
- + Optional eco-setting limiting flow rate to 6lpm to support the reduction of water & energy consumption
- + Automatic shutdown prevents flooding and minimises water and energy wastage
- + Phased shutdown ensures a safe, reliable start up and performance
- + Includes care accessory kit:
 - 2m anti-kink hose
 - 1m 150kg load-bearing riser rail
 - Shelf with non-handed integral hose retainers
 - Lever-operated sliding handset holder
 - Additional wall-mounted handset holder
 - 3-mode shower head



AKW SmartCare Plus® can connect wirelessly to all AKW DigiPumps. See from [page 144](#)



Care Features Continued

- + Care shower kit is available in various colour choices, with dark blue and mid-grey rails available to provide sufficient colour contrast for those with dementia or visual impairment
- + Optional wall-mounted remote on/off button allows users/carers to turn the shower on/off from up to 10m away; available separately
- + Optional wireless remote control allows users/carers to turn the shower on/off and adjust temperature/flow settings from up to 10m away; available separately

Installer Features

- + 8.5kW / 9.5kW / 10.5kW options
- + Quick and easy installation
- + Cable Entry Points 6 – Top, bottom or rear.
- + Water Entry Points 8 – Top, bottom, rear or side
- + Dual power block for left or right hand wiring
- + Retro-fit footprint covers most manufacturers' models
 - No re-tiling required
 - Existing cable & pipework compatible
- + Supplied with stainless-steel mounting bracket to support re-use of existing fixing holes
- + Comprehensive technical after-sales support
- + Optional wireless connectivity to AKW DigiPumps and P12 waste pump
- + 5-year warranty as standard if registered within 30 days of installation



White Care Shower Kit



Mid Grey Care Shower Kit

Dark Blue Care Shower Kit

AKW SmartCare Plus® Electric Shower (Technical Information)

Plumbing Supply

Supply Source	Mains pressure cold water only
Minimum Dynamic Pressure	50kPa (0.5 Bar) – Recommended pressure to ensure high performance is 100kPa (1 Bar)
Maximum Static Pressure	1000kPa (10 Bar)
Inlet Water Temperature Range	3°C – 28°C
Inlet Connection	15mm push-fit
Outlet Connection	1/2" BSP Male thread fitting
Waste Pump Connections	Compatible with AKW DigiPumps and P12 waste pump

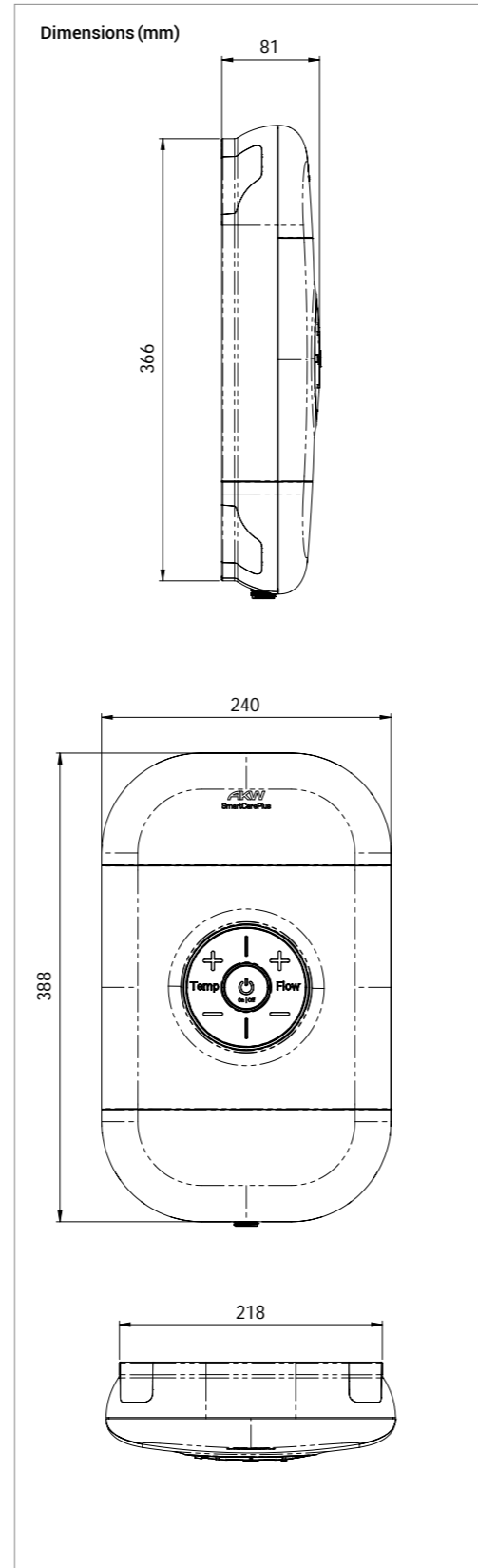
Electric Supply

Nominal Rating at 240V	10.5kW, 9.5kW & 8.5kW
Supply Fuse/Circuit Breaker	(10.5kW 45/50A), (9.5kW 40/45A) & (8.5kW 35/40A)
Residual Current Device (RCD)	30mA (must be fitted)
Supply Cable	Refer to current wiring regulations and BS 7671 to determine minimum cable size. No larger than 10mm ²
Stand-by Power Consumption	<0.5W
Isolation Switch (e.g. Pull Cord)	50 Amp Double pole with 3mm contact separation

Product Codes

AKW SmartCare Plus 8.5kW & Chrome Care Kit	29012CH
AKW SmartCare Plus 9.5kW & Chrome Care Kit	29011CH
AKW SmartCare Plus 10.5kW & Chrome Care Kit	29010CH
AKW SmartCare Plus 8.5kW & White Care Kit	29012WH
AKW SmartCare Plus 9.5kW & White Care Kit	29011WH
AKW SmartCare Plus 10.5kW & White Care Kit	29010WH
AKW SmartCare Plus 8.5kW & White Care Kit (Mid-Grey Rail)	29012MG
AKW SmartCare Plus 9.5kW & White Care Kit (Mid-Grey Rail)	29011MG
AKW SmartCare Plus 10.5kW & White Care Kit (Mid-Grey Rail)	29010MG
AKW SmartCare Plus 8.5kW & White Care Kit (Dark Blue Rail)	29012DB
AKW SmartCare Plus 9.5kW & White Care Kit (Dark Blue Rail)	29011DB
AKW SmartCare Plus 10.5kW & White Care Kit (Dark Blue Rail)	29010DB

AKW SmartCarePlus



Wireless Remote

The Smart wireless remote control provides flexibility and control, from up to 10m away. A fully waterproof high grip casing means that it's easy to hold and use.

Features & Benefits

- + Raised symbols
- + Push-button controls
- + Fully waterproof
- + Works up to 10m away from shower unit
- + Control: Power, Temperature and Flow
- + Blue LED activity indicator
- + Wall mount and glass mounted suction cups included

Product Codes

Wireless AKW SmartCare Plus® Remote	30318
-------------------------------------	-------



SmartCare Showers Remote On/Off Button

Designed for use with AKW SmartCare Plus and SmartCare Lever electric showers, the Remote On/Off Button allows you to start/stop the shower operating wirelessly from up to 10 metres away, offering greater flexibility and preventing users and/or carers from getting wet prematurely or unnecessarily.

Features & Benefits

- + Soft-press push button is easy to operate
- + Designed to replicate on/off function of power button within shower heater
- + Button switches shower on/off remotely
- + Raised tactile power symbol aids those with visual impairment
- + Small LED light illuminates below the button when shower is in operation; this will flash every 10 seconds to advise when the battery is low
- + Can be installed up to 10m from the shower heater, ensuring the shower can be turned on/off without the user or carer getting wet

Product code

AKW SmartCare Showers Remote On/Off Button	30316
--	-------



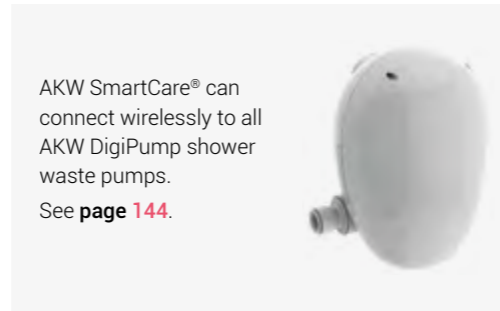
AKW SmartCare® Lever

Designed to make showering an easier and less stressful experience for those with dementia, visual impairment, or limited dexterity, the SmartCare Lever electric shower benefits from a number of innovative care features and is available with a choice of shower kit, with specific care accessories which address a range of clinical needs.

Care Features

- + Easy-to-use lever handle with contrasting mid-grey, soft-touch insert, ideal for those with limited dexterity
- + Audible temperature control beeps and reactive digital LED temperature display indicate settings selection for those with visual impairment
- + Contrasting tactile letters, power symbol, and pointer on the lever, as well as raised dot markers situated by the lowest and hottest temperature settings assist those with visual impairment
- + Matt finish central control panel aids those with visual impairment and dementia
- + Rounded surfaces and edges reduce the risk of injury in the event of a trip or fall
- + BEAB Care certified, RNIB tried and tested, and DSDC dementia-friendly product accredited
- + Thermostatically stabilised temperature
- + Maximum water temperature protection with thermal cut-out device to protect shower unit from overheating
- + Optional eco-setting limiting flow rate to 6 lpm to support the reduction of water & energy consumption
- + Automatic shutdown prevents flooding and minimises water and energy wastage
- + Phased shutdown ensures a safe, reliable start up and performance
- + Optional wall-mounted remote on/off button allows users/carers to turn the shower on/off from up to 10m away; available separately

AKW SmartCareLever



AKW SmartCareLever

Installer Features

- + 8.5kW / 9.5kW options
- + Quick and easy installation
- + Cable Entry Points 6 – Top, bottom or rear.
- + Water Entry Points 8 – Top, bottom, rear or side
- + Dual power block for left or right-hand wiring
- + Retro-fit footprint covers most manufacturers' models
 - No re-tiling required
 - Existing cable and pipework compatible
- + Supplied with stainless-steel mounting bracket to support re-use of existing fixing holes
- + Wireless connectivity to AKW DigiPumps and P12 waste pump
- + 5-year warranty as standard if registered within 30 days of installation
- + Standard kit riser bar is trimmable in length




AKW SmartCare® Lever Electric Shower (Technical Information)
Plumbing Supply

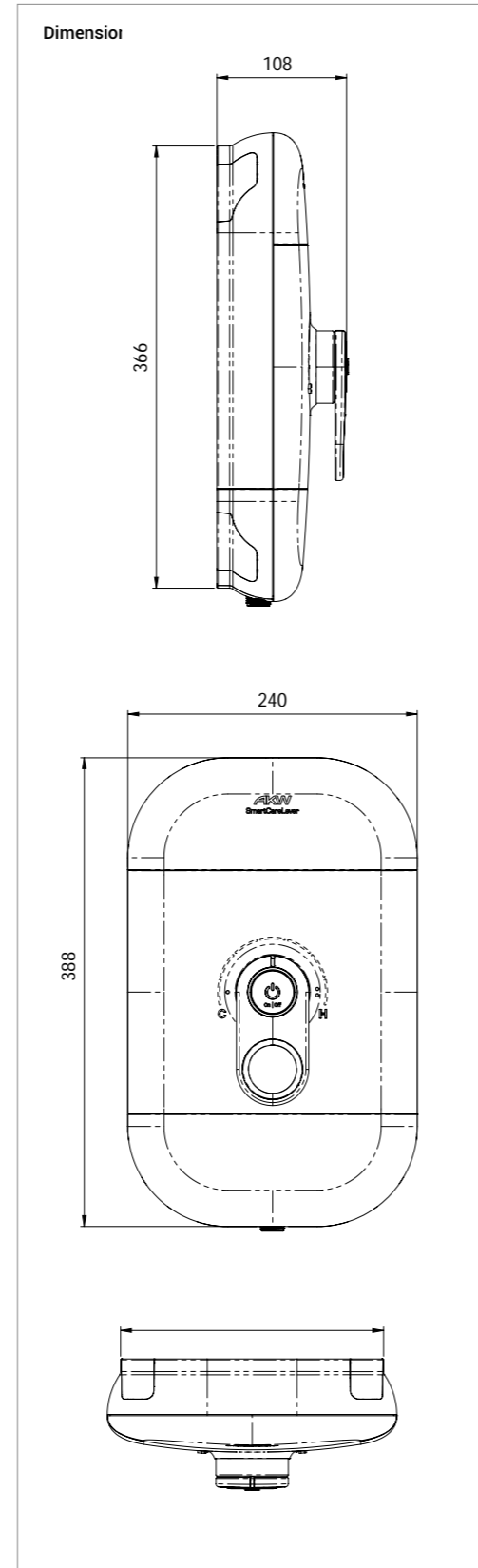
Supply Source	Mains pressure cold water only
Minimum Dynamic Pressure	50kPa (0.5 Bar) – Recommended pressure to ensure high performance is 100kPa (1 Bar)
Maximum Static Pressure	1000kPa (10 Bar)
Inlet Water Temperature Range	3°C – 28°C
Inlet Connection	15mm push-fit
Outlet Connection	1/2" BSP Male thread fitting
Waste Pump Connections	Compatible with AKW DigiPumps and P12 waste pump (wireless or hard-wired connection)

Electric Supply

Nominal Rating at 240V	9.5kW & 8.5kW
Supply Fuse/Circuit Breaker	(9.5kW 40/45A) & (8.5kW 35/40A)
Residual Current Device (RCD)	30mA (must be fitted)
Supply Cable	Refer to current wiring regulations and BS 7671 to determine minimum cable size. No larger than 10mm ²
Isolation Switch (e.g. Pull Cord)	50 Amp Double pole with 3mm contact separation

Product Codes

AKW SmartCare Lever 8.5kW & Chrome Standard Kit (1m Riser)	29090WH
AKW SmartCare Lever 9.5kW & Chrome Standard Kit (1m Riser)	29091WH
AKW SmartCare Lever 8.5kW & Chrome Care Kit	29090CH
AKW SmartCare Lever 9.5kW & Chrome Care Kit	29091CH
AKW SmartCare Lever 8.5kW & White Care Kit	29090CGR
AKW SmartCare Lever 9.5kW & White Care Kit	29091CGR
AKW SmartCare Lever 8.5kW & White Care Kit (Mid-Grey Rail)	29090CGR-MG
AKW SmartCare Lever 9.5kW & White Care Kit (Mid-Grey Rail)	29091CGR-MG
AKW SmartCare Lever 8.5kW & White Care Kit (Dark Blue Rail)	29090CGR-DB
AKW SmartCare Lever 9.5kW & White Care Kit (Dark Blue Rail)	29091CGR-DB


**iTherm Electric Shower**

iTherm

With a contemporary design and discreet care features to aid those with visual impairment, the iTherm electric shower benefits from LED display, thermostatic protection, raised easy-to-grip flow and temperature controls, and comes with a stylish chrome shower kit.

Care Features

- + Easy-push power button allows you to maintain temperature/flow setting preferences
- + Power button features an LED illuminated outer bezel to aid those with visual impairment
- + Independent dials control flow and thermostatic temperature settings
- + Raised chrome dials feature a scalloped surface which is easier to grip and clean
- + Digital LED temperature display readout
- + Reactive LED display above each dial confirms temperature/flow settings selected, aiding those with visual impairment
- + Matt finish central control panel aids those with visual impairment
- + Rounded surfaces and edges reduce the risk of injury in the event of a trip or fall
- + Thermostatically stabilised temperature
- + Maximum water temperature protection with thermal cut-out device to protect shower unit from overheating
- + Optional eco-setting limiting flow rate to 6 lpm to support the reduction of water & energy consumption
- + Automatic shutdown prevents flooding and minimises water and energy wastage
- + Phased shutdown ensures a safe, reliable start up and performance
- + Includes chrome shower kit:
 - 2m anti-kink hose
 - 1m riser rail
 - Hose retainer
 - Adjustable handset holder
 - Additional wall-mounted handset holder
 - 3-mode shower head
 - Soap dish



iTherm

Installer Features

- + 8.5kW / 9.5kW options
- + Quick and easy installation
- + Cable Entry Points 6 – Top, bottom or rear.
- + Water Entry Points 8 – Top, bottom, rear or side
- + Dual power block for left or right-hand wiring
- + Retro-fit footprint covers many manufacturers' models
 - No re-tiling required
 - Existing cable & pipework compatible
- + Supplied with stainless-steel mounting bracket to support re-use of existing fixing holes
- + Comprehensive technical after-sales support
- + Compatible with AKW DigiPumps and P12 Waste Pump via a hard-wired connection
- + 5-year warranty as standard if registered within 30 days of installation
- + Standard kit riser bar is trimmable in length



USE LESS, SPEND LESS

AKW Electric Showers can help you save on utility bills in many ways.

- + Use electricity to heat water, rather than a boiler
- + Only heat the water used meaning they're often cheaper to run
- + Use less water than mixer showers, great if you're on a meter
- + Eco-setting option limits flow rate to 6lpm to help reduce water consumption

iTherm Electric Shower (Technical Information)

iTherm

Plumbing Supply

Supply Source	Mains pressure cold water only
Minimum Dynamic Pressure	50kPa (0.5 Bar) – Recommended pressure to ensure high performance is 100kPa (1 Bar)
Maximum Static Pressure	1000kPa (10 Bar)
Inlet Water Temperature Range	3°C – 28°C
Inlet Connection	15mm push-fit
Outlet Connection	1/2" BSP Male thread fitting
Waste Pump Connections	Compatible with AKW DigiPumps and P12 waste pump

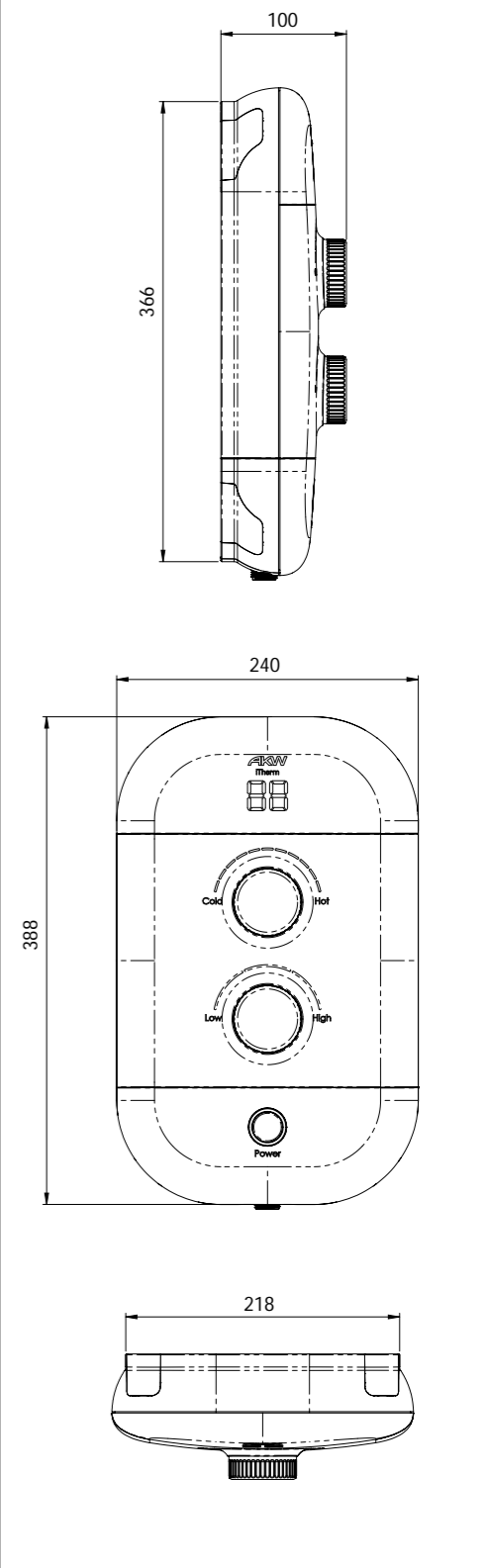
Electric Supply

Nominal Rating at 240V	9.5kW & 8.5kW
Supply Fuse/Circuit Breaker	(9.5kW 40/45A) & (8.5kW 35/40A)
Residual Current Device (RCD)	30mA (must be fitted)
Supply Cable	Refer to current wiring regulations and BS 7671 to determine minimum cable size. No larger than 10mm ²
Isolation Switch (e.g. Pull Cord)	50 Amp Double pole with 3mm contact separation

Product Codes

AKW iTherm 8.5kW & Chrome Standard Kit (1m Riser)	29024
AKW iTherm 9.5kW & Chrome Standard Kit (1m Riser)	29025

Dimensions (mm)



Shower Isolator Switch

Installing a shower pull cord switch enables you to isolate the power supply to an electric shower if maintenance is required. This product is mounted to the ceiling and operated by hand with a pull cord.

Features & Benefits

- + Mounted on the ceiling to be unobtrusive
- + When the neon power indicator is not illuminated, the power supply has been isolated
- + Provided with a 1.5m pull cord for easy operation
- + Fittings provided to fix the switch to the back box

Specifications

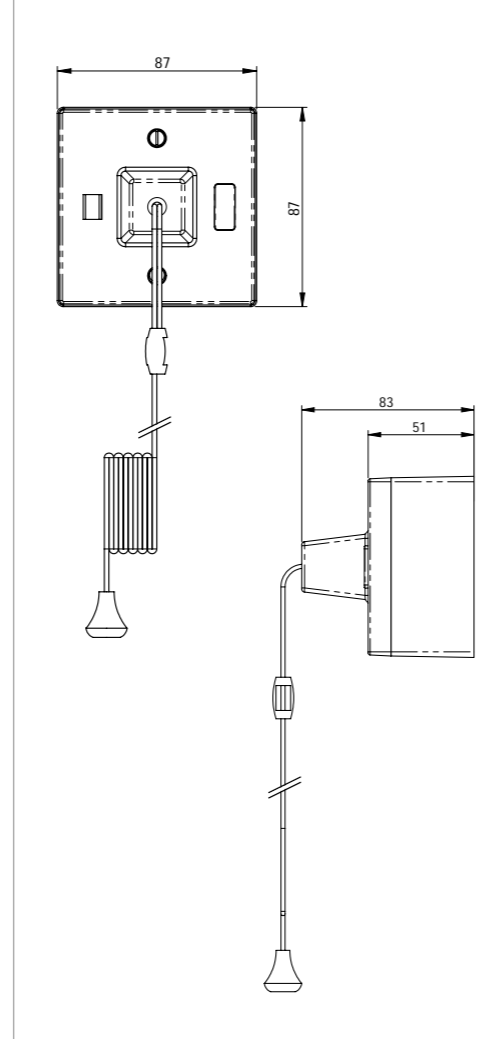
Amp Rating	50A
Manufacturer Warranty	5 Years
No. of Earth Terminals	2
No. of Ways	1 Way
Number of Poles	Double Pole
Parent Colour	White
Pieces in Pack/Case	1
Power Voltage Supply	240V
Size (mm)	(L) 87 x (W) 87 x (D) 83
Switches & Sockets Finish	Plastic
Switches & Sockets Profile Type	Raised Square
Switch Operation	Pull Cord
Switch Product Type	Appliance

Product code

Shower Isolation Pull Cord Switch 50A with Back Box	30160
---	--------------



Dimensions (mm)



Additional Electric Showers

Mira

Mira Flex Shower 8.7kw	25326
Mira Advance Flex 9kw-Low Pressure	06ES03-LP
Mira Advance ATL Flex Extra Bluetooth	06ES07
Mira Advance Flex Fittings Kit	06ES-MAFK
Mira Advance ATL Shower heater FLEX, 9.8kw	06ES08

Redring

Selectronic Premier Care 8.5kW	06ES44-85
Selectronic Premier Care 9.5kW	06ES45-95
Selectronic Premier Care 10.8kW	06ES46-108
Selectronic Premier Care 8.5kW Pump Interface	06ES47-85
Selectronic Premier Care 9.5kW Pump Interface	06ES48-95

Triton

Triton Omnicare Thermostatic Shower	25327
Triton Omnicare Design 8.5kW Grab electric shower	06ES60GB
Triton Omnicare Design 9.5kW electric shower	06ES61

Mixer Showers

You do not need to choose between style or substance with our range of modern mixer showers, which feature contemporary chrome fixtures and support a variety of care requirements.



Arka Cool Touch Mixer Valve

Designed to offer an incredibly safe showering experience, the Arka Cool Touch Mixer Shower features two easy-to-use paddle levers which independently control temperature and flow, as well as innovative technology which ensures the valve is cool-to-touch while maintaining the required water temperature.

The valve can be installed with concealed or exposed pipework and is compatible with a range of shower accessories that are designed to cater to a variety of different showering needs and preferences.

Features & Benefits

- + Brass mixer valve with a durable and contemporary polished chrome finish
- + Cool-touch technology ensures the valve is cool-to-touch when operating, making it incredibly safe for use by adults and children with care needs
- + Thermostatic protection which prevents scalding and offers reassurance
- + TMV2 approval ensures reliable and safe performance ideal for installation in domestic environments
- + Maximum pre-set temperature of 38°C which can be manually overridden using button on valve and increased to 41°C if needed
- + Rounded, easy-to-use paddle levers are designed for people of all abilities
- + Two levers independently control temperature and flow
- + Clearly marked icons on valve indicate temperature and flow settings
- + Integral double-check valves ensure the elimination of backflow
- + Central bottom outlet for connection to standard shower hoses
- + Can be installed with concealed or exposed pipework; Chrome Wall-Mounted Fixing Plates supplied with valve, Surface-Mounted Pipework Fixings available separately
- + Optional water-saving model available with a fitted flow limiter for a maximum flow rate of 6lpm



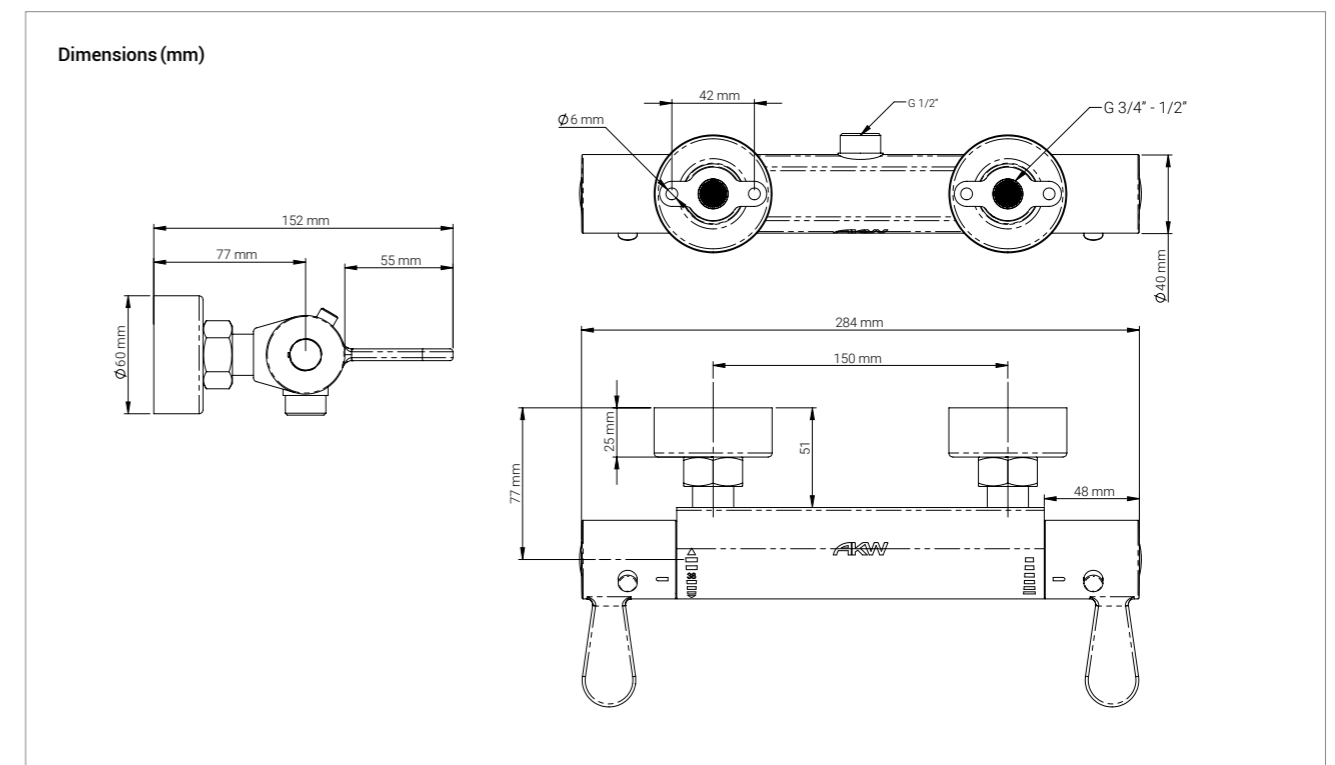
Specifications

Valve Type	Thermostatic bar shower mixer with independent flow and temperature controls
Materials	Brass valve, mounting brackets and zinc alloy levers with chrome-plated finish
Minimum Dynamic Pressure	0.5 Bar
Maximum Dynamic Pressure	5 Bar
Maximum Static Pressure	10 Bar
Dimensions for Fitting	150mm, +/- 15mm
Concealed & Exposed Water Entry	Back
Inlet Connectors	3/4" - 1/2" BSP
Maximum Pre-Set Temperature	38°C
Maximum Pressure Difference (Between Hot & Cold Water Supply)	1 Bar
Maximum Flow (@ 3 Bar)	19.5lpm

Please Note: Temperature and flow rates are limited by the override buttons on the paddles, these rates can be altered to suit user preference during installation if required.

Product Codes

Mixer Valve with Shower Accessory Kit	
AKW Arka Cool Touch Mixer Valve with Care Accessory Kit	25430CH
Separate Valves, Shower Kits & Accessories	
AKW Arka Cool Touch Mixer Valve Only	25430
AKW Arka Cool Touch Mixer Valve with Flow Limiter	25430FL
AKW Standard Shower Accessory Kit	30313CH
AKW Care Shower Accessory Kit – Chrome Rail	30317CH
AKW Care Shower Accessory Kit – White Rail	30317WH
AKW Care Shower Accessory Kit – Mid-Grey Rail	30317MG
AKW Care Shower Accessory Kit – Dark Blue Rail	30317DB
AKW Rain Head Shower Kit with Handset	30853
AKW On/Off Shower Head	20-017-062
AKW Easy-Clean Shower Head	13-012-269
Installation Accessories	
Surface-Mounted Pipework Fittings for Mixer Valve	25423
Spares	
Chrome Wall-Mounted Fixing Plates for Mixer Valve	25424



Arka® Thermostatic Mixer Valve

The Arka Thermostatic Mixer Shower is TMV3 approved for use in commercial care environments, and benefits from safe and reliable thermostatic protection. Designed to be easy to use by people with limited dexterity, the valve also features paddle levers which independently control water temperature and flow.

The valve can be installed with concealed or exposed pipework and is compatible with a range of shower accessories designed to cater to a variety of needs and preferences.

Features & Benefits

- + Brass mixer valve with a durable and contemporary polished chrome finish
- + Thermostatic protection which prevents scalding and offers reassurance
- + TMV3 approval ensures reliable and safe performance ideal for installation in high-risk commercial and healthcare environments
- + Maximum pre-set temperature of 38°C which can be manually overridden using button on valve and increased to 41°C if needed
- + Rounded, easy-to-use paddle levers are designed for people of all abilities
- + Two levers independently control temperature and flow
- + Clearly marked icons on valve indicate temperature and flow settings
- + Integral double-check valves ensure the elimination of backflow
- + Central bottom outlet for connection to standard shower hoses
- + Can be installed with concealed or exposed pipework; Chrome Wall-Mounted Fixing Plates supplied with valve, Surface-Mounted Pipework Fixings available separately
- + Optional water-saving model available with a fitted flow limiter for a maximum flow rate of 8lpm



Specifications

Valve Type	Thermostatic bar shower mixer with independent flow and temperature controls
Materials	Brass valve, mounting brackets and zinc alloy levers with chrome-plated finish
Minimum Dynamic Pressure	0.2 Bar
Maximum Dynamic Pressure	5 Bar
Maximum Static Pressure	10 Bar
Dimensions for Fitting	150mm, +/- 15mm
Concealed & Exposed Water Entry	Back
Inlet Connectors	¾" - ½" BSP
Maximum Pre-Set Temperature	38°C
Maximum Pressure Difference (Between Hot & Cold Water Supply)	1 Bar
Maximum Flow (@ 3 Bar)	20lpm

Please Note: Temperature and flow rates are limited by the override buttons on the paddles, these rates can be altered to suit user preference during installation if required.

Product Codes

Mixer Valves with Shower Accessory Kits

AKW Arka Thermostatic Mixer Valve with Standard Accessory Kit	25420
AKW Arka Thermostatic Mixer Valve with Care Accessory Kit	25420CH

Separate Valves, Shower Kits & Accessories

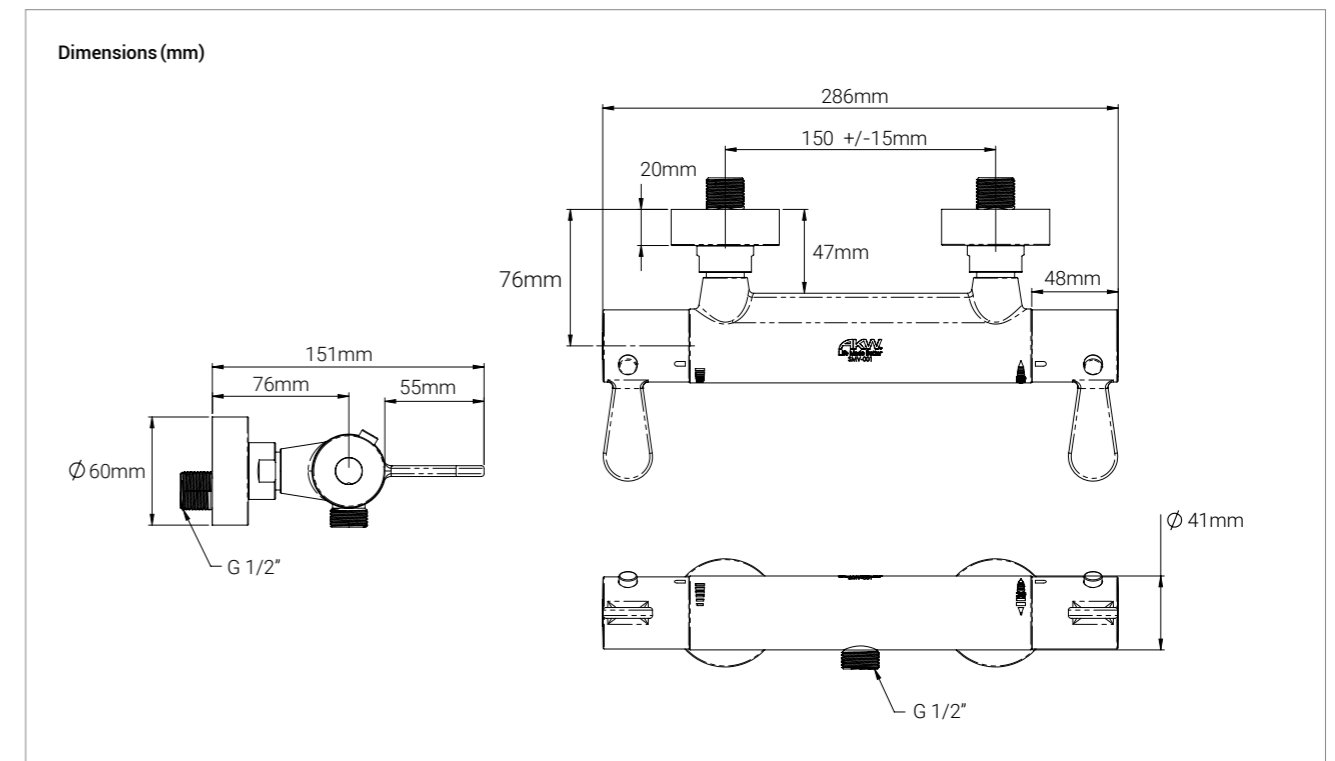
AKW Arka Thermostatic Mixer Valve Only	25421-2
AKW Arka Thermostatic Mixer Valve with Flow Limiter	25421-2FL
AKW Standard Shower Accessory Kit	30313CH
AKW Care Shower Accessory Kit – Chrome Rail	30317CH
AKW Care Shower Accessory Kit – White Rail	30317WH
AKW Care Shower Accessory Kit – Mid-Grey Rail	30317MG
AKW Care Shower Accessory Kit – Dark Blue Rail	30317DB
AKW Rain Head Shower Kit with Handset	30853
AKW On/Off Shower Head	20-017-062
AKW Easy-Clean Shower Head	13-012-269

Installation Accessories

Surface-Mounted Pipework Fittings for Mixer Valve	25423
---	-------

Spares

Chrome Wall-Mounted Fixing Plates for Mixer Valve	25424
---	-------



Onyx Combo Mixer Shower

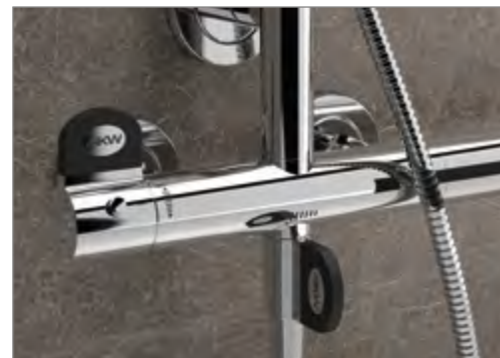
Offering a safe showering experience, the Onyx Combo Mixer Shower features a TMV2-approved mixer valve which is cool to touch and easily operated using two paddle levers.

The Onyx Combo also cleverly incorporates two weight-loading grab rails into the L-shaped design, these extend from the valve with a vertical riser and horizontal grab rail able to support users of up to 23.5st (150kg).

For greater flexibility, the Onyx Combo is available in left and right-handed configurations.

Features & Benefits

- + TMV2-approved mixer valve offers thermostatic protection, providing peace of mind
- + Mixer valve is cool to touch when in use to prevent scalding
- + Individual lever paddles control temperature and flow, with icons on the valve to confirm selection
- + Vertical riser and horizontal grab rails can support users of up to 23.5st (150kg)
- + Multifunctional shower head offers 3 spray modes and features durable silicone nozzles which are easy to clean
- + 2m long shower hose enables manoeuvrability when showering independently, or with assistance
- + Riser rail features adjustable holder for shower head to accommodate different user heights
- + Contemporary design with polished chrome finish, which complements the AKW Onyx collection of grab rails, shower seats, trays, and accessories
- + Available in left or right-handed configurations
- + Supplied with interchangeable mixer valve paddles in white and black



Extended options available

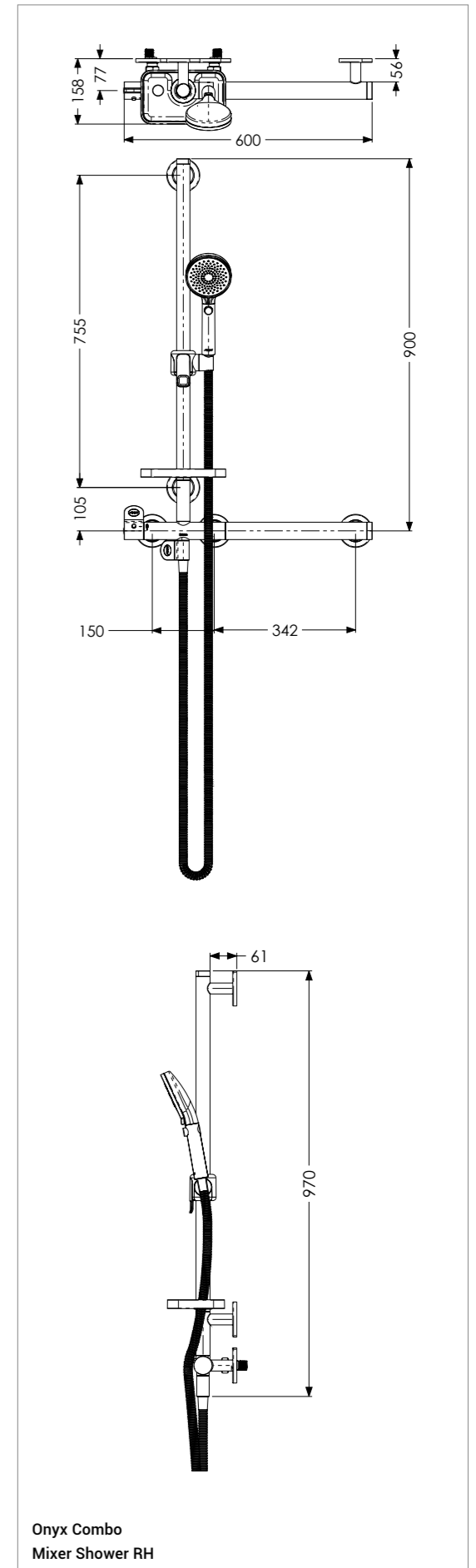


Specifications

Fixing points per wall flange:	3
Wall flanges:	5
Fixing points for additional shower head holder:	2
Dynamic pressure:	0.5-5 bar
Static pressure:	1-10 bar
Inlet fitting:	½" BSP
Outlet fitting:	½" BSP
Inlet cold temperature range:	4-25°C
Inlet hot temperature range:	55-65°C
Temperature range:	16-49°C
Safety setting:	38°C limited high temperature, override button can achieve up to 49°C (+/-2°C)
Approx. flow rate:	8.5 l/min (3 bar)

Product Code

Onyx Combo Mixer Shower LH	25436L-LS
Onyx Combo Mixer Shower RH	25436R-LS



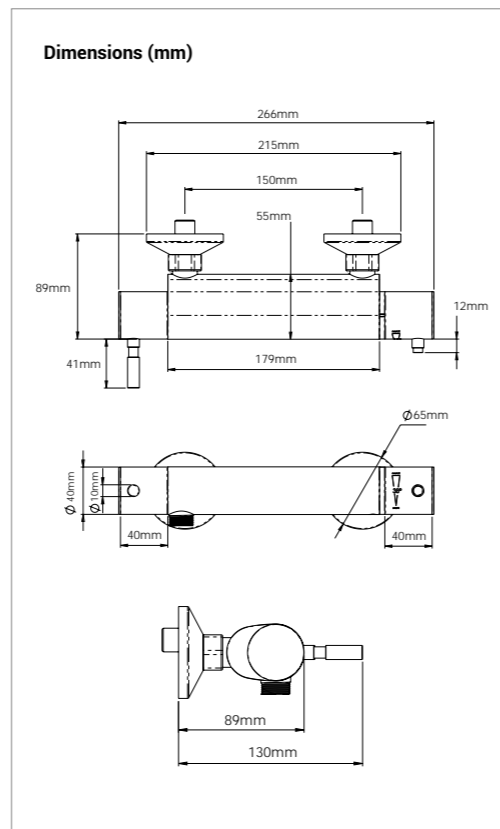
Vettora Thermostatic Mixer Shower

Simple yet stylish in design, the Vettora Thermostatic Mixer Shower is TMV2 approved, benefits from safe and reliable thermostatic protection, and features easy-to-use peg levers which independently control the water temperature and flow.

The valve can be installed with concealed or exposed pipework and is compatible with a range of AKW shower accessories.

Features & Benefits

- + Brass mixer valve with a durable and contemporary polished chrome finish
- + Thermostatic protection prevents scalding and offers reassurance
- + TMV2 approval ensures reliable and safe performance ideal for installation in domestic environments
- + Pre-set maximum temperature of 38°C which can be manually overridden using button on valve and increased to 41°C if needed
- + Easy-to-use peg levers for simple operation
- + Independent controls adjust temperature and flow
- + Clearly marked icons on valve indicate temperature and flow settings
- + Integral double-check valves ensure the elimination of backflow
- + Bottom left outlet for connection to standard shower hoses
- + Can be installed with concealed or exposed pipework; Chrome Wall-Mounted Fixing Plates supplied with valve, Surface-Mounted Pipework Fixings available separately
- + Optional water-saving model available with a fitted flow limiter for a maximum flow rate of 6lpm



Specifications

Valve Type	Thermostatic bar shower mixer with independent flow and temperature controls
Materials	Brass valve, mounting brackets and zinc alloy levers with chrome-plated finish
Minimum Dynamic Pressure	1 Bar
Maximum Dynamic Pressure	3 Bar
Maximum Static Pressure	10 Bar
Dimensions for Fitting	150mm, +/- 15mm
Concealed & Exposed Water Entry	Back
Inlet Connectors	¾" BSP
Maximum Pre-Set Temperature	38°C
Maximum Pressure Difference (Between Hot & Cold Water Supply)	1 Bar
Maximum Flow (@ 3 Bar)	33.7lpm

Product Codes

Mixer Valve with Shower Accessory Kit

Vettora Thermostatic Mixer Valve with Standard Accessory Kit **25658**

Separate Valves, Shower Kits & Accessories

Vettora Thermostatic Mixer Valve Only	25657
Vettora Thermostatic Mixer Valve with Flow Limiter	25657FL
AKW Standard Shower Accessory Kit	30313CH
AKW Care Shower Accessory Kit – Chrome Rail	30317CH
AKW Care Shower Accessory Kit – White Rail	30317WH
AKW Care Shower Accessory Kit – Mid-Grey Rail	30317MG
AKW Care Shower Accessory Kit – Dark Blue Rail	30317DB
AKW Rain Head Shower Kit with Handset	30853
AKW On/Off Shower Head	20-017-062
AKW Easy-Clean Shower Head	13-012-269

Installation Accessories

Surface-Mounted Pipework Fittings for Mixer Valve **25423**

Spares

Chrome Wall-Mounted Fixing Plates for Mixer Valve **25424**

Additional Mixer Showers:

Mira

Mira Rada V12 Exposed Shower Valve	25299
Mira Rada V12 Concealed Shower Valve	25298
Mira Select Flex High Contrast Thermostatic Mixer Shower	06MS11

Triton

Triton Elina Exposed Mixer Valve - Grabrail Kit	06MS15
Triton Elina Bar Mixer valve TMV3 with Grabrail Kit	06MS16
Triton Exe Lever Bar Mixer valve TMV2, riser rail & hose kit	06MS17

Bristan

Bristan Opac Care Mixer Shower	06MS22P
Bristan Opac Thermostatic Exposed Mini Shower Valve with lever	06MS22
Bristan Extended Slide Bar Shower Kit – Chrome	06MS23

Rain Head Shower Kit with Handset (excluding shower valve)

Our contemporary rain head shower kit is the perfect addition to any modern bathroom, with compatibility across our range of mixer shower valves and mixer bath taps.

The kit features a fixed shower head which provides a steady water stream that mimics rainfall for a luxurious showering experience. For more flexibility, a roaming handset is also included, with the flow of water quickly and easily switched between the rain head and handset, with our lever handle diverter.

Features & Benefits

- + Contemporary design with a polished chrome finish, suitable for use in a wide range of bathrooms.
- + Rainfall shower head height can be adjusted (range of 50-425mm) to accommodate different user heights.
- + Riser rail features adjustable holder for roaming handset to accommodate different user heights.
- + Multifunctional kit allows users to choose between fixed rainfall shower head and roaming handset for greater flexibility.
- + Lever handle diverter allows users to easily direct the water flow between the rainfall shower head, handset, or both, with icons to confirm the mode selected.
- + Compatible with AKW mixer shower valves and bath shower mixer taps.
- + Rainfall shower head tilts 25° from horizontal position to direct water flow based on user preference.
- + Handset benefits from three different spray patterns to cater to a variety of user requirements.
- + Durable silicone nozzles allow for easier cleaning.



Components only

Specification

Ceramic disc technology within valve, connecting to selected outlet (rainfall shower head or handset)

Minimum pressure required: 0.5 bar

Flow Rates (approx. based on 1 bar pressure): 8.7 l/min (rainfall shower head), 6 l/min (handset)

Chrome-finished rainfall shower head, riser rail and handset

Handset features grey face plate

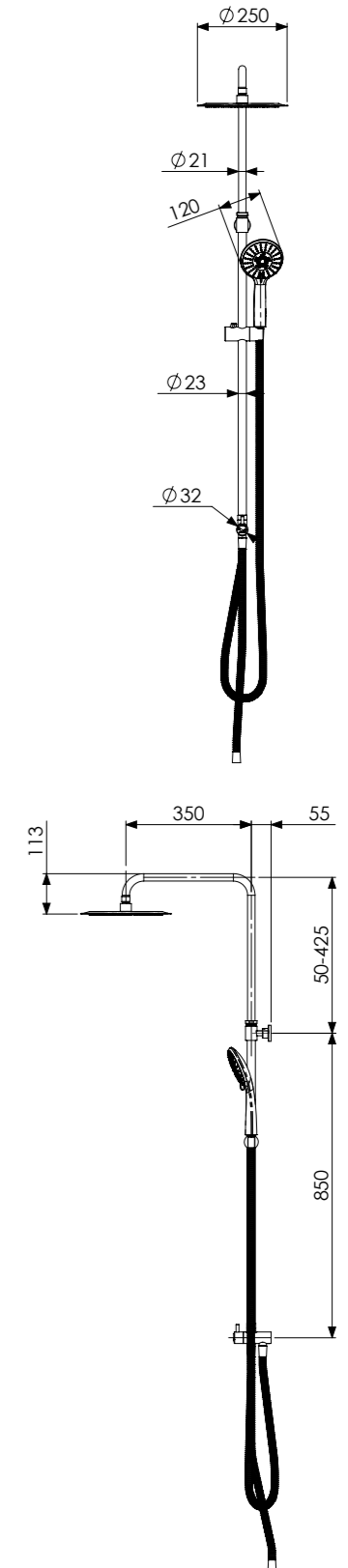
Handset includes flexible 1.5m hose

0.6m hose connects shower kit to mixer valve or tap (valve/tap available separately)

Product Code

Rain Head Shower Kit with Handset	30853
Arka Cool Touch Mixer Valve	25430
Arka Thermostatic Mixer Shower	25421-2
Vettora Thermostatic Bar Mixer Valve	25657
Thermostatic Peg Lever Bath Shower Mixer Tap	30817
AKW Denova Bath Shower Mixer Tap	30816

Dimensions (mm)



On/Off Shower Head Handset

The AKW On/Off Shower Head Handset has been designed to support care-assisted showering, where water flow can be conveniently turned off during shampooing/ washing at the press of a button. This shower head is available as an optional extra for all AKW Mixer Showers.

Features & Benefits

- + Convenient On/Off button which can open and close the water flow, a helpful feature for care-assisted showering
- + On/Off button can support households with water & cost savings, as the flow of water can be efficiently stopped while the user attends to washing their hair, and quickly turned back on to re-open the flow of water
- + A small amount of water flow will continue when the off button is used, this indicates to the user that the shower is switched on and still in use until switched off by the mains
- + Nozzles can be rubbed clean, for easy cleaning and limescale removal
- + The On/Off Shower Head Handset has 3 modes / spray patterns: Fine, Bubble, Jet. Spray pattern can be easily changed by the user
- + Compatible with all AKW mixer showers
- + Stylish chrome finish to compliment mixer shower accessories
- + 5-year warranty for peace of mind.

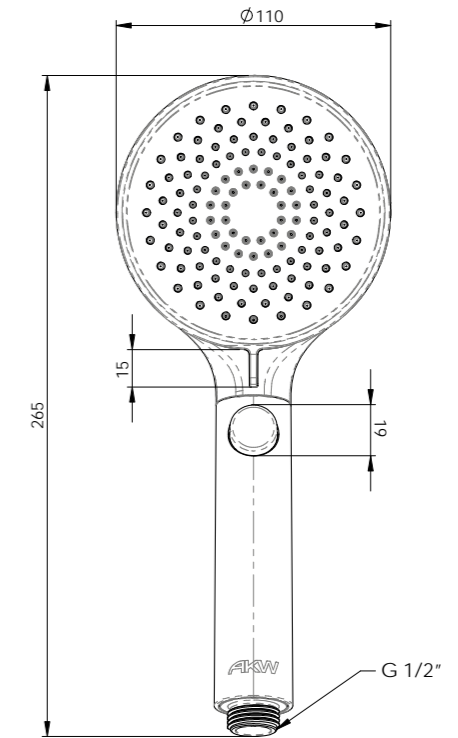
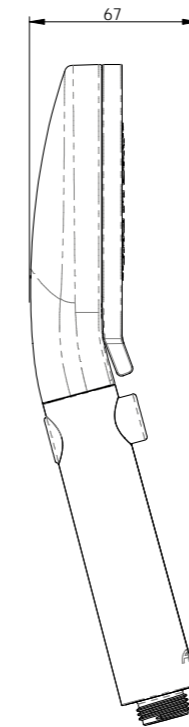


Product Code

On/Off Shower Head Handset

20-017-062

Dimensions (mm)



Easy Clean Shower Head

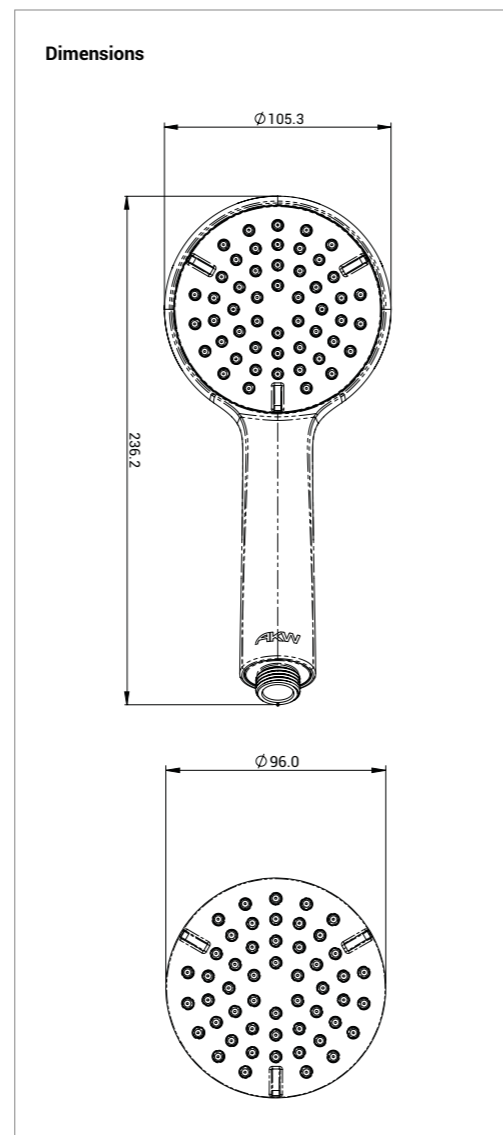
The AKW easy clean shower head has been designed for use when hygiene is the top priority, as it facilitates regular and efficient cleaning through its unique removable faceplate. This shower head is available as an optional extra for all AKW Electric and Mixer showers.

Features & Benefits

- + Simple three component construction (body, nozzles, faceplate), easy to dismantle to individually clean components
- + Removable faceplate designed with three removal assist tabs for quick and easy cleaning
- + Behind the faceplate the inside is hollow with no inner-workings or crevices for bacteria to form around
- + Offers a single spray pattern setting for those who want a hassle-free shower head
- + Supplied with two faceplates white and grey and these are also available to purchase separately (as spares)
- + Compatible with all AKW mixer and electric showers
- + Chrome finished body improves aesthetics

Product Codes

Easy Clean Chrome Shower Handset with spare white faceplate	13-012-269
Easy Clean shower handset spares – white and grey faceplates	13-012-270



Eco-Save Mixer Shower

Contour Eco-save mixer shower is the only thermostatic & pressure balancing mixer shower, designed to be the safest, anti-scald value for money mixer shower available.

The stylish shape of the Eco-save mixer shower compliments the unique functions and the environmental friendly aspects which distinguish this mixer shower. A cleverly engineered technique saves water and energy without compromising on comfort.

Features & Benefits

- + Anti-legionella hose kit for low use areas
- + Specially designed hose, which has no dead leg loop
- + Integrated dump valve dispels all water as the shower is switched off
- + Flexi coil shower hose is coloured black to ensure reduced levels of luminosity, helping to reduce the growth of bacteria

Specification

Maximum Temperature:	90°
Minimum Pressure:	0.5 Bar
Maximum Pressure:	16.0 Bar
Pressure Differential:	10.0 Bar
Normal Control Temperature:	41°
Temp Differential:	0°c
Max Output:	8 l/pm @ 6 Bar
Hose:	1.75m
Riser Bar:	1.15m

Product Codes

Eco-Save Mixer Shower	06MS01
Eco-Save Mixer Shower Exposed Kit	06MS01E





Walls & Safety Flooring



Wall Panels	299
Alveo Wall Panels	300
Marlbrook Wall Panels	304
Origins Wall Panels	307
Shower Niches	310
Access Panel	313
Tiles & Accessories	315
Super White Bumpy Tiles	316
Coloured Tiles	317
Mosaic Tiles	318
Tile Edge Trim & Strips	318
Tile Backer Board	319
Tile Spacers	319
Tile Grout	320
Tile Adhesive	320
Safety Flooring	323
Accessories	325
Timber	329

WALLS / FLOOR

You may also need:

<p>Shower Screens</p> <p style="background-color: orange; color: white; text-align: center; padding: 2px;">153</p>	<p>Mobility Support</p> <p style="background-color: purple; color: white; text-align: center; padding: 2px;">331</p>	<p>Plumbing Fittings</p> <p style="background-color: green; color: white; text-align: center; padding: 2px;">549</p>
--	--	--



Wall Panels

Wall panels are an increasingly popular alternative to traditional tiling and AKW is proud to stock three wall panel ranges: Alveo, Marlbook and Origins. Wall panels offer number of features and benefits, including:

- + More cost-effective compared to tiling
- + Quick and easy to install
- + No specialist skills or equipment needed to install
- + Low maintenance solution, with no need for additional grouting

Alveo PVC Wall Panels

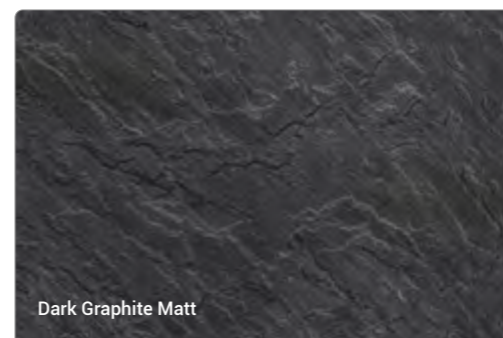
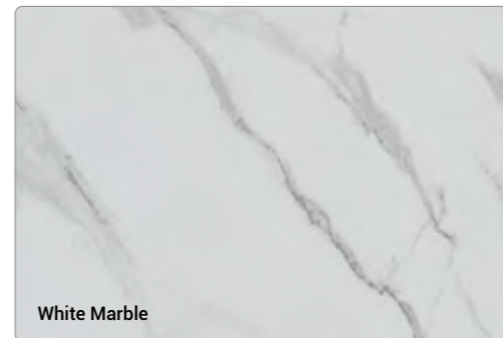
AKW Alveo PVC Wall Panels provide a highly durable, practical bathroom solution that is easier to install and maintain than tiling and is available in a range of contemporary finishes.

The robust PVC panels are designed to be low maintenance, with fewer joins and dirt traps, and no need for grout. They are incredibly quick and easy to install, with panels covering large sections of the wall and offering the flexibility to fit directly over almost any existing surface, enabling you to transform bathrooms and wet rooms faster than ever.

Features & Benefits

- + Panels available in 600mm and 1000mm widths
- + 600mm panels supplied in packs of two, 1000mm panels supplied individually
- + Available in four contemporary colours with matt and gloss finishes
- + Constructed from durable materials that once installed and sealed are designed to withstand everyday use in a variety of bathrooms
- + Internal panel structure features hollow vertical channels, making them incredibly lightweight and easy to handle
- + Quick and easy to fit with the items in your toolbox; no specialist skills or equipment are needed to install
- + Panels and profiles can be easily trimmed down on site
- + Interlocking tongue and groove edge provides a seamless finish when joining two panels along a flat wall
- + Variety of 2500mm (L) aluminium profiles available with a satin anodised finish (End Cap, H-Section, Internal Corner, External Corner, Bottom/Top)
- + For vinyl floor wet room installations, 3000mm (L) Safety Flooring-to-Wall Panel Profiles are also available; these are supplied in a matt white finish
- + Low maintenance solution that is simple to clean using warm soapy water, with fewer joins and dirt traps, and no need for grout
- + Panels are incredibly hygienic, with no absorbent materials to help prevent mould growth

ALVÉO



Warranty & Approvals



- + BS EN 13501-1 Class D Fire Rated

Accessory Fixing Kit

- + Includes: 14mm Drill Bit, 40 Solid Spacers
- + Designed to prevent damage to PVC panels when installing weight-bearing accessories such as showers, grab rails, or shower seats
- + Once the required holes are drilled, insert a solid spacer into the internal hollow channel between the front and back of the panel, this will provide additional support for the screw and prevent the exterior finish from incurring damage during installation of the accessory
- + Supplied with Alveo PVC Wall Panel Kits as standard, also available separately



Accessory Fixing Kit

Specification

Construction Material: PVC

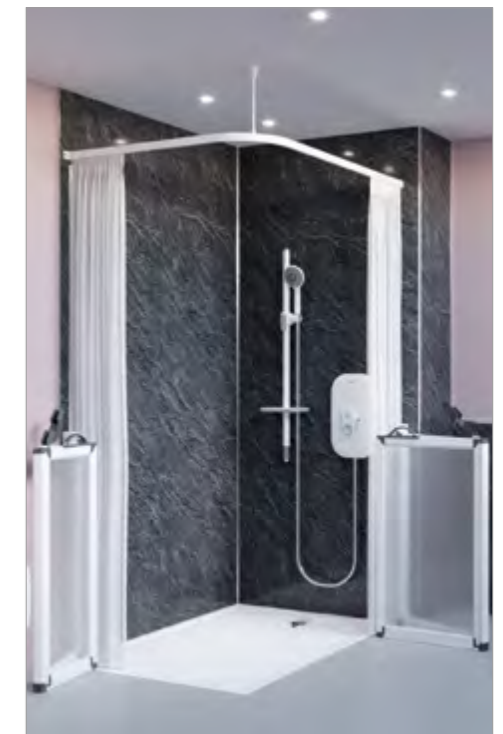
Dimensions: 600mm (W) x 2500mm (L) x 10mm (D)

1000mm (W) x 2500mm (L) x 10mm (D)

Wall panels and profiles can be trimmed

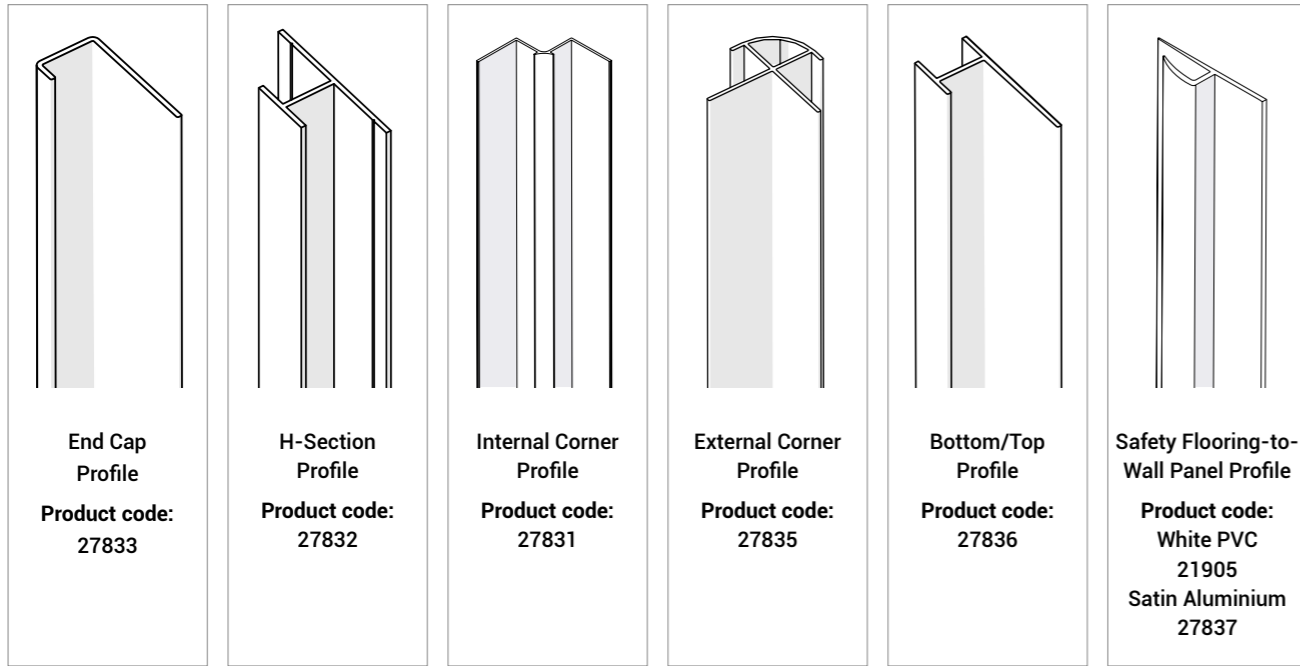
Available Colours / Finishes: White Gloss, White Marble Matt, Concrete Matt, Dark Graphite Matt

BS EN 13501-1 Class D Fire Rated when adhered to a non-combustible substrate



Dark Graphite Matt

Alveo PVC Wall Panels (Profiles)



Profiles & Accessories

Alveo PVC Wall Panel End Cap Profile 2500mm – Satin Aluminium	27833
Alveo PVC Wall Panel H-Section Profile 2500mm – Satin Aluminium	27832
Alveo PVC Wall Panel Internal Corner Profile 2500mm – Satin Aluminium	27831
Alveo PVC Wall Panel External Corner Profile 2500mm – Satin Aluminium	27835
Alveo PVC Wall Panel Bottom/Top Profile 2500mm – Satin Aluminium	27836
Alveo PVC Wall Panel Vinyl Flooring Trim 2500mm – Satin Aluminium	27837
Safety Flooring-to-Wall Panel Profile 3000mm – White	21905

Product Codes

Panels Only

Alveo PVC Wall Panels 600x2500mm – White Gloss (2 Pk)	27830WHG
Alveo PVC Wall Panels 600x2500mm – White Marble Matt (2 Pk)	27830WMM
Alveo PVC Wall Panels 600x2500mm – Concrete Matt (2 Pk)	27830CNM
Alveo PVC Wall Panels 600x2500mm – Dark Graphite Matt (2 Pk)	27830DKM
Alveo PVC Wall Panels 1000x2500mm – White Gloss (1 Pk)Q	27840WHG
Alveo PVC Wall Panels 1000x2500mm – White Marble Matt (1 Pk)	27840WMM
Alveo PVC Wall Panels 1000x2500mm – Concrete Matt (1 Pk)	27840CNM
Alveo PVC Wall Panels 1000x2500mm – Dark Graphite Matt (1 Pk)	27840DKM

Kits (includes panels and accessory fixing kit)

Alveo PVC Wall Panel Kit 600x2500mm – White Gloss (2 Pk)	27830WHGK
Alveo PVC Wall Panel Kit 600x2500mm – White Marble Matt (2 Pk)	27830WMMK
Alveo PVC Wall Panel Kit 600x2500mm – Concrete Matt (2 Pk)	27830CNMK
Alveo PVC Wall Panel Kit 600x2500mm – Dark Graphite Matt (2 Pk)	27830DKMK
Alveo PVC Wall Panel Kit 1000x2500mm – White Gloss (1 Pk)	27840WHGK
Alveo PVC Wall Panel Kit 1000x2500mm – White Marble Matt (1 Pk)	27840WMMK
Alveo PVC Wall Panel Kit 1000x2500mm – Concrete Matt (1 Pk)	27840CNMK
Alveo PVC Wall Panel Kit 1000x2500mm – Dark Graphite Matt (1 Pk)	27840DKMK

Accessory Fixing Kit

Alveo PVC Wall Panel Accessory Fixing Kit	27834
---	-------



Marlbrook® Wall Panels

AKW Marlbrook Wall Panels are the perfect alternative to tiles, with a water and scratch-resistant finish on both sides of the panel, and six colours to choose from.

Designed to be durable, low maintenance, and long-lasting, wall panels are incredibly easy to install, enabling you to transform your showering or bathing area quickly.

Features & Benefits

- + Panels are finished on both sides to allow either side to be used as the face; this is more forgiving if scuffs occur on site
- + Quick and easy to install with the items in your toolbox; no specialist skills or equipment needed to install
- + Panels offer a large surface area and can be fitted directly over tiles, making installation less labour intensive; e.g. a 1800 x 900mm shower area would require just 3 panels and relevant extrusions
- + WPS plywood substrate core is bonded with a High Pressure Laminate (HPL) to give a completely waterproof surface
- + Constructed from structural-grade materials which allow fixtures such as shower seats and grab rails to be fitted securely, without impacting on weight loading
- + Multiple extrusions are available for every installation challenge
- + Low maintenance solution, with no need for additional grouting

Specifications

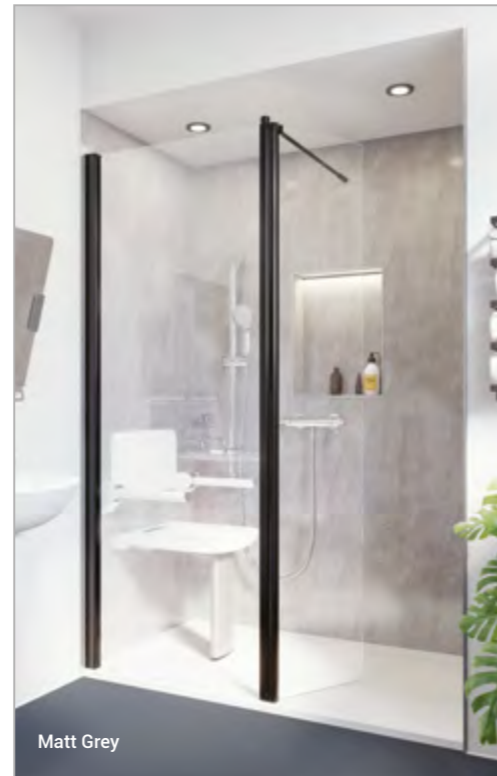
Panel size 1220mm x 2440mm x 12mm

Square edged panels

High-pressure laminate (HPL) faces on WPS plywood substrate core

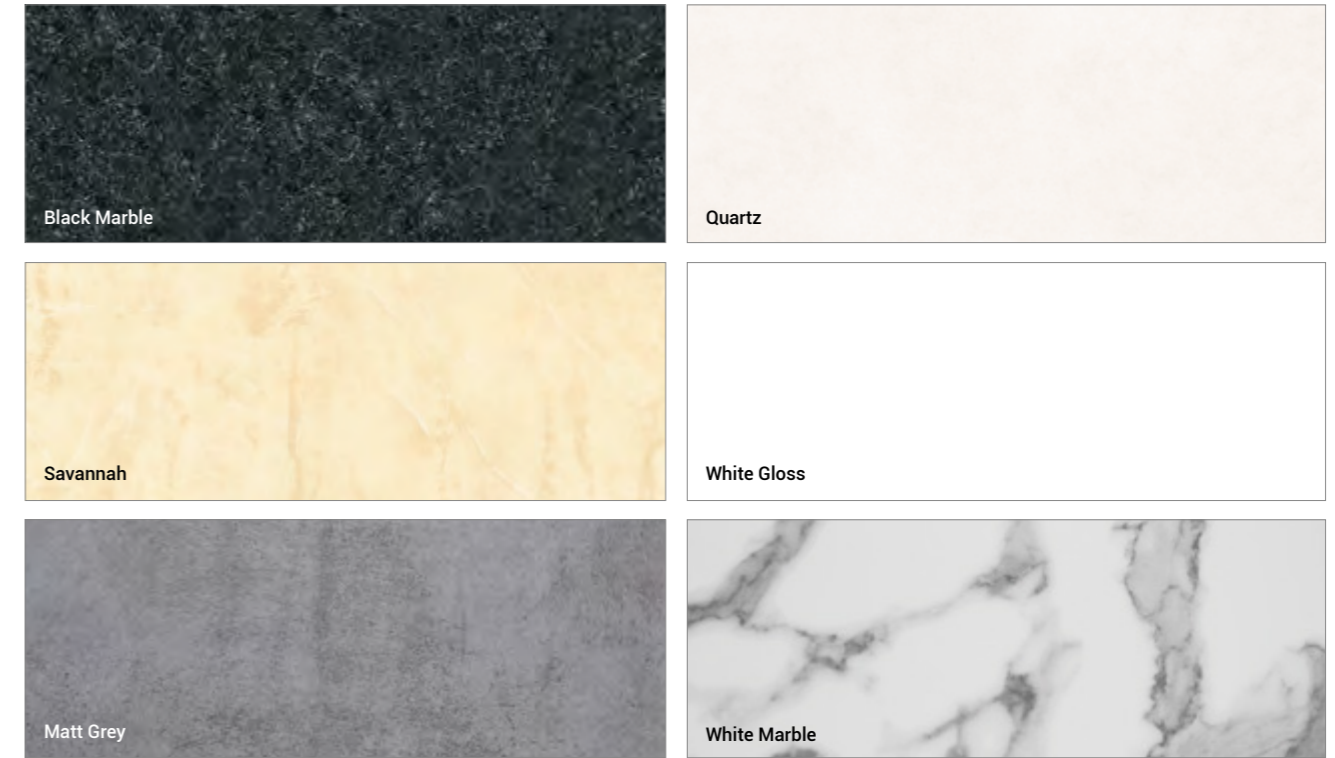
Hard-wearing structural grade material

Multiple extrusions available



Marlbrook® Wall Panels (Colour Options, Product Codes & Dimensions)

Colour Options



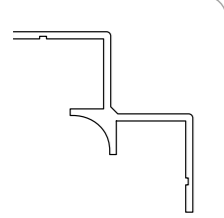
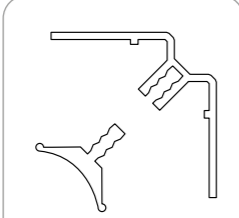
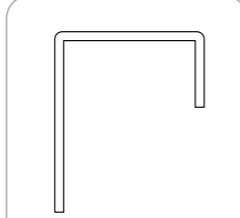
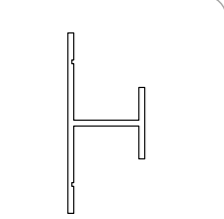
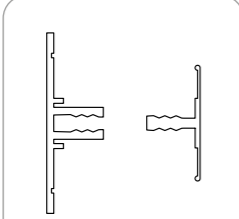
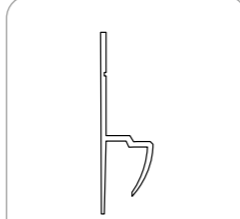
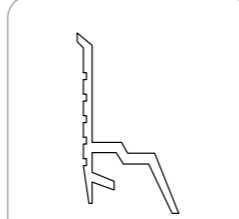
Product Codes

Black Marble	27390BMR
Quartz	27390QRZ
Savannah	27390SVH
White Gloss	27390WHT
Matt Grey	27390GRC
White Marble	27390WMR

Note: PVC profiles are white.

*One tube of adhesive recommended per panel.

Marlbook Wall Panels (Profiles)

 <p>Internal corner Length: 2440mm Product codes: Aluminium: 27682 PVC: 27692</p>	 <p>2 piece internal corner Length: 2440mm Product code: 27688</p>	 <p>External corner Length: 2440mm Product code: 27680</p>	 <p>Edging strip (end cap) Length: 2440mm Product codes: Aluminium: 27683 PVC: 27694</p>	 <p>Radiused edging strip Length: 2440mm Product codes: Aluminium: 27661 PVC: 27693</p>
 <p>H-section Length: 2440mm Product code: 27686</p>	 <p>2 piece H-section Length: 2440mm Product code: 27687</p>	 <p>Wall Panel to Tile Profile – Aluminium Length: 3000mm Product code: 27684</p>	 <p>Wall Panel to Vinyl Floor Profile – PVC Length: 3000mm Product code: 27690</p>	 <p>Wall Panel to Tray Profile – PVC Length: 3000mm Product code: 27689</p>

Profiles & Accessories

	Aluminium	PVC
Wall Panel H-Section – 2440mm	27685	27686
Wall Panel 2 piece H-Section	27687	-
Wall Panel Internal Corner – 2440mm	27682	27692
Wall Panel External Corner – 2440mm	27680	27691
Wall Panel 2 piece Internal Corner	27688	-
Wall Panel Radiused Edging Strip – 2440mm	27681	27693
Wall Panel Edging Strip (end cap) – 2440mm	27683	27694
Wall Panel to Vinyl Floor Profile – 3000mm	-	27690
Wall Panel to Tile Profile – 3000mm	27684	27689
Multi-Purpose Adhesive		27729

Origins Wall Panels

Add a touch of sophistication to any project with this striking and contemporary range of wall panels. Featuring subtle but complex textures in a range of stylish colours, this highly durable and easy to install wall covering system ensures perfect results every time.

Features & Benefits

- + Available in 14 contemporary decors inspired by latest interior design trends
- + The printed paper design is impregnated with phenolic and melamine resins, dried and compressed to form a hard-wearing, high pressure laminate (HPL) coating on a WBP plywood substrate core for square edge board and exterior grade medium density fibreboard (MDF) for tongue and groove boards
- + Quick and easy to fit with no specialist skills or equipment needed to install
- + Hard-wearing structural grade material
- + Wide variety of extrusions available, offering a solution to any installation challenge
- + Made of structural materials so fixtures such as shower seats and grab rails can be fitted securely, without impacting weight loading
- + Maintenance free, no need for additional grouting
- + Tongue and groove click system (2400 x 600mm & 2400 x 900mm) provides a subtle, seamless finish and is an alternative to installing two panels with a straight joint profile

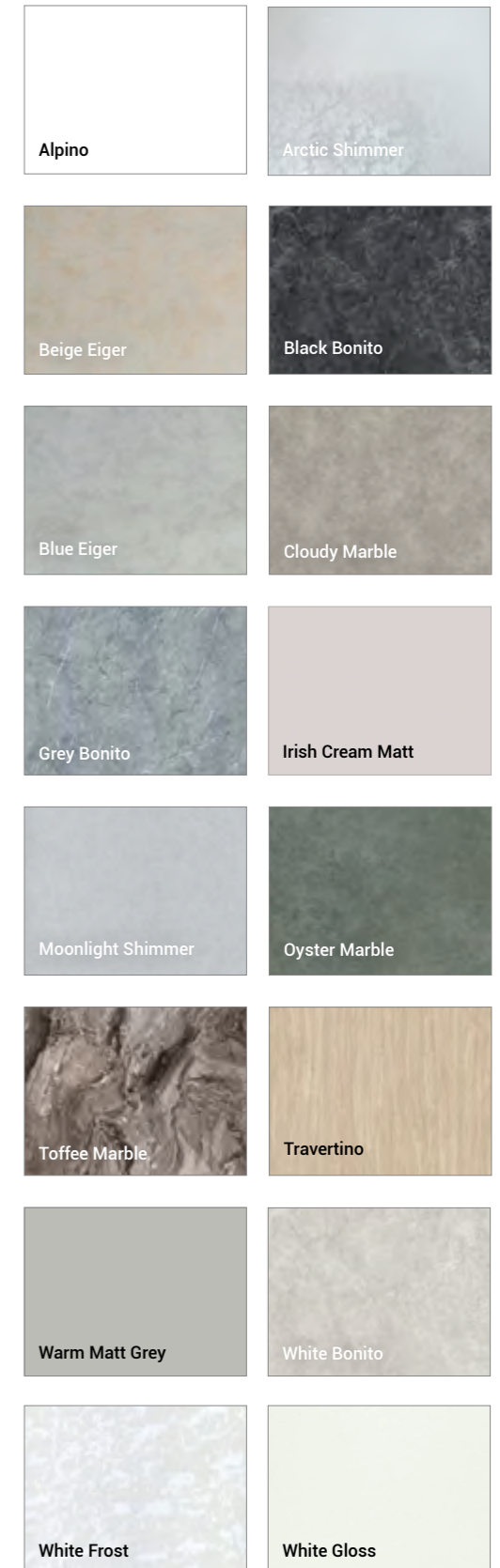
Specifications

3 panel sizes:
 600mm x 2400mm x 11mm (Tongue & Groove)
 900mm 2400mm x 11mm (Tongue & Groove)
 1200mm x 2400mm x 11mm (Square edged)

High-pressure laminate (HPL) faces on WPS plywood substrate core (Square edge) & exterior grade medium density fibreboard (MDF) (Tongue & Groove)

Hard-wearing structural grade material

Multiple extrusions available



35 YEAR WARRANTY Various stocked colours please call customer services for more information

Origins Wall Panels (Product Codes)

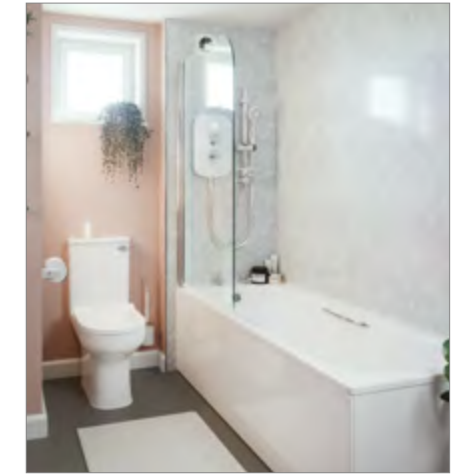
Product Codes

Wall Panels (11mm deep):	600 x 2400mm (Tongue & Groove)	900 x 2400mm (Tongue & Groove)	1200 x 2400mm (Square Edged)
Alpino	27724ALP	27723ALP	27722ALP
Arctic Shimmer	27724ATS	27723ATS	27722ATS
Beige Eiger	27724BGE	27723BGE	27722BGE
Black Bonito	27724BKB	27723BKB	27722BKB
Blue Eiger	27724BLE	27723BLE	27722BLE
Cloudy Marble	27724CLM	27723CLM	27722CLM
Grey Bonito	27724GYB	27723GYB	27722GYB
Irish Cream Matt	27724ICM	27723ICM	27722ICM
Moonlight Shimmer	27724MLS	27723MLS	27722MLS
Oyster Marble	27724OSM	27723OSM	27722OSM
Toffee Marble	27724TFM	27723TFM	27722TFM
Travertino	27724TRA	27723TRA	27723TRA
White Bonito	27724WBO	27723WBO	27722WBO
White Frost	27724WFS	27723WFS	27722WFS
Warm Matt Grey	27724WGM	27723WGM	27722WGM
White Gloss	27724WHT	27723WHT	27722WHT



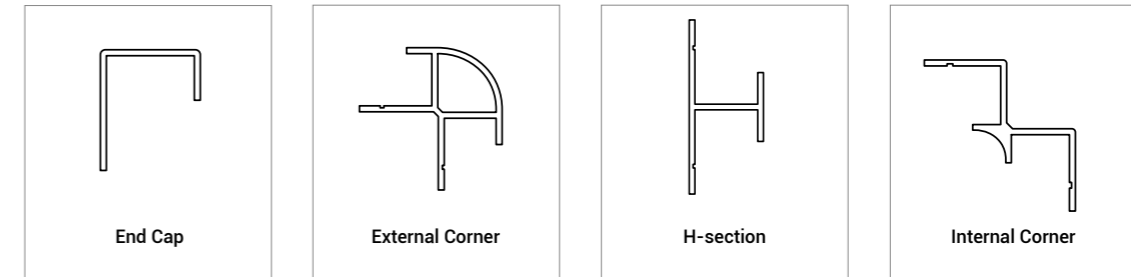
Origins Wall Panels (Dimensions & Profile Types)

Profiles (for 11mm panels)	Polished Chrome Aluminium	Silver Anodised	White
End Cap	27730	27719	27728
External Corner	27731	27717	27727
H Section	27732	27718	27726
Internal Corner	27733	27716	27725
Wallboard Bottom onto Vinyl PVC - 3000mm			27690
Wallboard Bottom onto Tray PVC - 3000mm			27689
Wallboard Bottom onto Tile Alum - 3000mm			27684
Multi-Purpose Adhesive			27729
Transeal Profile			27720

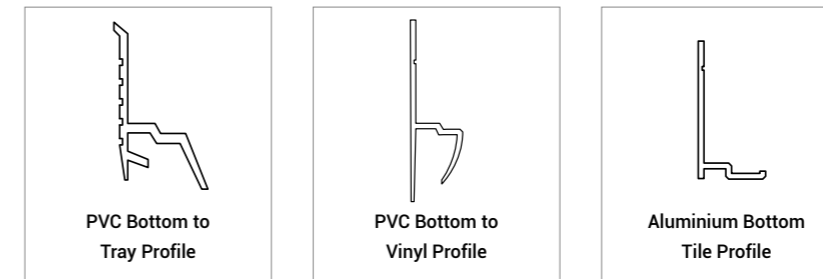


Profile types

2500mm long – available in Chrome, White or SAA (satin anodised aluminium) as standard



3000mm long



Shower Niches

AKW shower niches are one-piece shelves constructed from SMC that are designed to be recessed into the wall to create a modern and discrete storage space for all your bathing and showering essentials. Available in three sizes to suit your installation and special requirements, AKW shower niches are perfect for use alongside our range of stylish wall panels or ceramic bathroom tiles. They are incredibly quick to install, making it easy to create extra storage which also offers a highly contemporary aesthetic.



Features & Benefits

- + Recess niches into the wall alongside wall panels or tiles for a discrete, integrated finish.
- + Lightweight, one-piece construction for quick and easy installation.
- + Manufactured from SMC for durability and strength.
- + Available in white (all size options) with a glossy finish, or black (full-height options only) with a matt finish, for a bold contemporary look.
- + Double and triple shelf, and full height niche options available to suit a variety of user and installation requirements.
- + Shelves feature 1–2-degree angled slope which prevents water from collecting and makes it easy to clean.



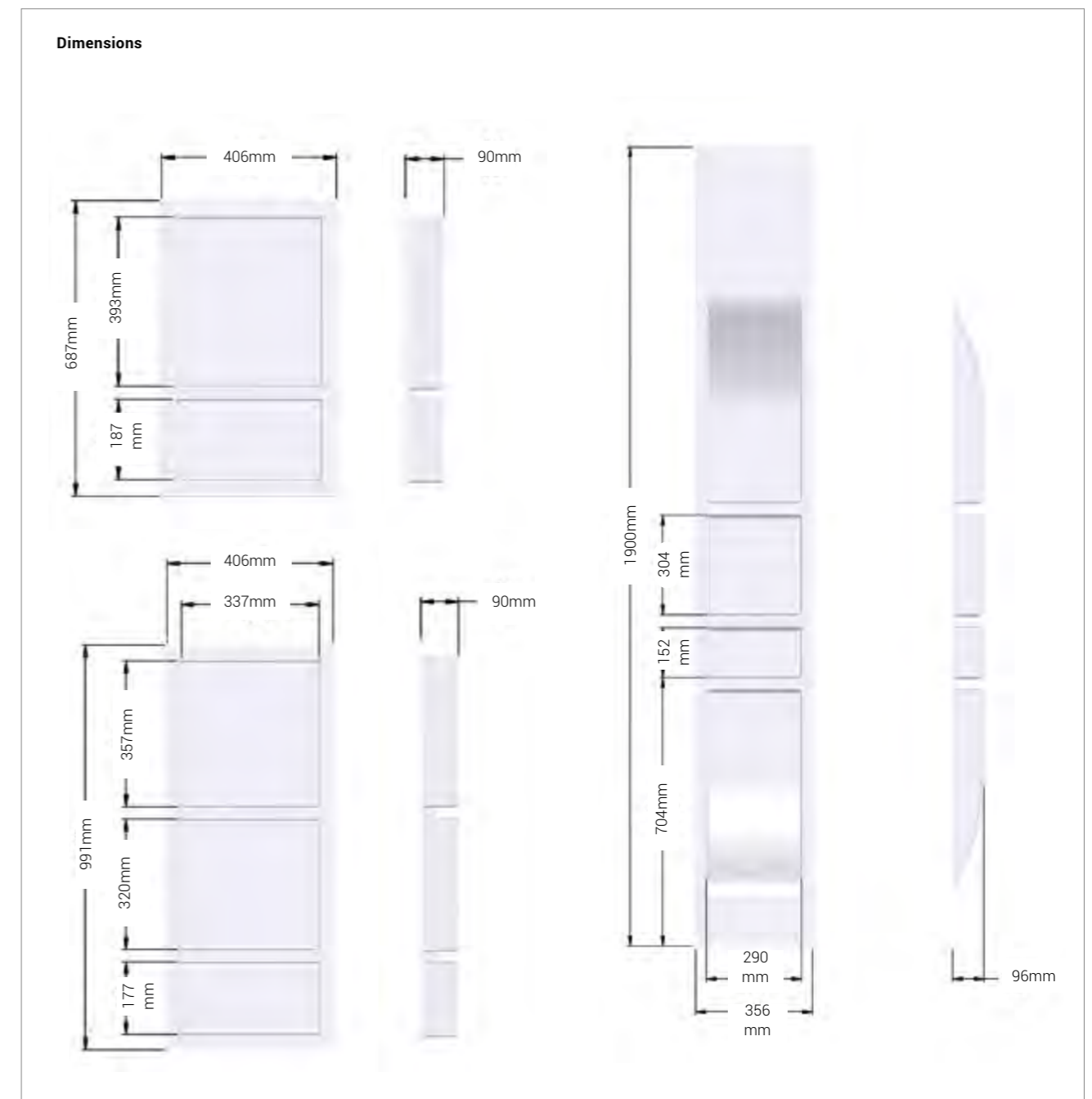
Specifications

Material: SMC

Weight: 3.8kg (2 shelf), 5.5kg (3 shelf), 9kg (3 shelf full height)

Product Codes

Shower Niche 3 Shelf Black 1900mm x 356mm	27800BK-UK
Shower Niche 3 Shelf White 1900mm x 356mm	27800WH-UK
Shower Niche 3 Shelf White 991mm x 406mm	27801WH-UK
Shower Niche 2 Shelf White 687mm x 406mm	27802WH-UK





Access Panels

AKW's plastic, heavy duty access panels offer a high quality, low cost finish in bathrooms where access to plumbing is required. Available in 3 sizes to allow for maintenance and servicing access to waste pumps and other general plumbing fittings. It is the perfect solution for concealing unsightly controls and fittings that require occasional access.

Access Panels are ideal for accessing pumps, where correctly positioned, in smaller bathrooms where they are fitted into boxing due to limited space.

Features & Benefits

- + Quick and easy installation.
- + Versatile in its purpose and can provide easy access to hidden services or as a repair panel in residential and commercial projects.
- + The hinged removable door features a lipped edge which improves operation by allowing the panel to close without being disruptive.
- + Can be decorated, allowing the panel to be integrated into existing decor.

Specification

Thickness: 3mm

Colour: White

Material: ABS Plastic

Usage: Walls & Ceilings

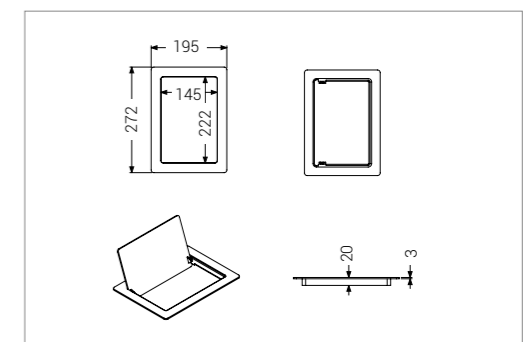
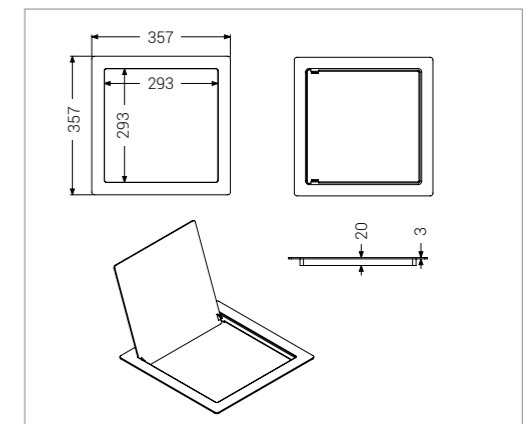
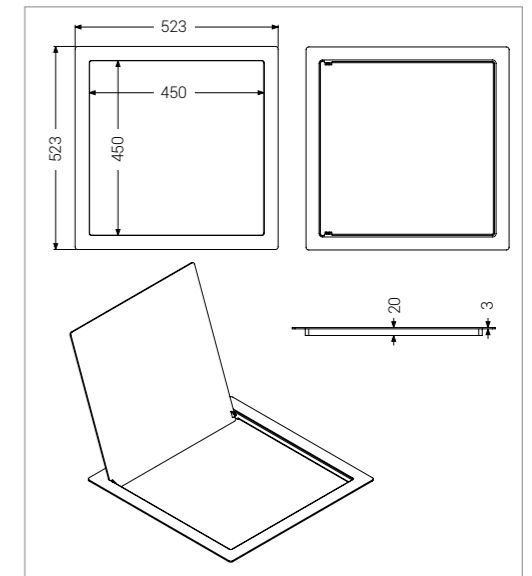
Type: Picture frame

Warranty: 12 months

Water integrity: Panel is not watertight. If there is a directional flow of water at the access panel, additional silicone may be needed.

Product Codes

Access Panel 523 x 523mm	30200
Access Panel 357 x 357mm	30201
Access Panel 195 x 272mm	30202





Tiles & Accessories

Achieve a stylish and professional finish with AKW's range of ceramic tiles and tiling accessories for kitchens and bathrooms. From technically advanced tiles to grout and adhesive, we've got it covered.

Super White Bumpy Tiles

These super white bumpy tiles are the perfect choice for bathroom installations as they offer fantastic benefits, particularly for those who are visually impaired or who have dementia, due to the super white bumpy finish which allows maximum colour contrast to be achieved.

Features & Benefits

- + Bumpy effect reduces glare which is ideal for the visually impaired and people with dementia
- + Contains Zircon minerals to enhance the white finish to achieve maximum colour contrast
- + A variety of choice for installation with in three different sizes offered – 200x250mm and 250x330mm
- + Easy to cut and install improving efficiency and the overall installation experience
- + Ideal for domestic and commercial internal wall applications
- + Reverse edge of the tile is beige in colour to uphold the intensity of the white glaze guaranteeing a superior product

Product Codes

200 x 250mm (20 pack = 1m ²)	30075
250 x 330mm (18 pack = 1.5m ²)	30076



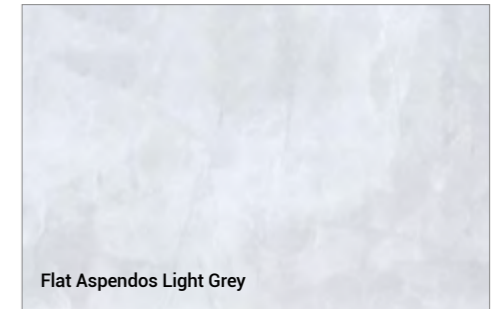
Coloured Tiles

Features & Benefits

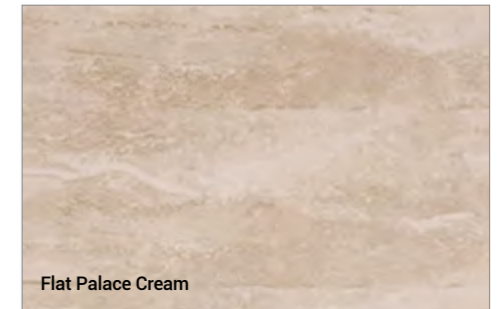
- + Digitally printed finishes, meaning a consistent finish on all tiles
- + Ceramic material provides longevity and peace of mind
- + Easy to cut and install improving efficiency and the overall installation experience
- + Ideal for domestic and commercial internal wall applications
- + Reverse edge of the tile is beige in colour to uphold the intensity of the white glaze guaranteeing a superior product
- + A variety of choice with four new colours on offer in 8mm thickness
- + Four new colours on offer in 8mm thickness

Product Codes

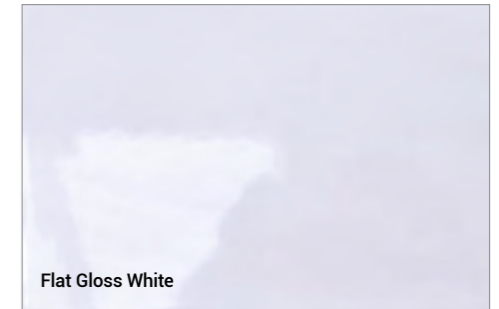
Flat Aspendos Light Grey 400 x 250mm (1.4msq) 14pk	30091AGR
Flat Palace Cream 400 x 250mm (1.4msq) 14pk	30091PAL
Flat Gloss Plain White 600x300mm (1.8msq) 10pk	30091WH2
Flat Grey Cloud 400 x 250mm (1.4msq) 14pk	30091GCL



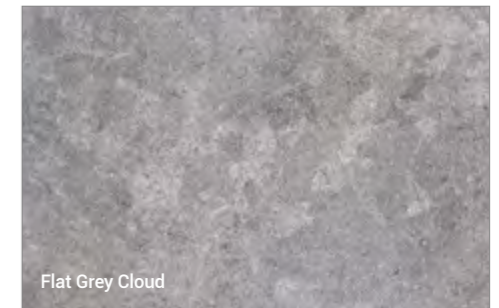
Flat Aspendos Light Grey



Flat Palace Cream



Flat Gloss White



Flat Grey Cloud

Mosaic Tiles

Features & Benefits

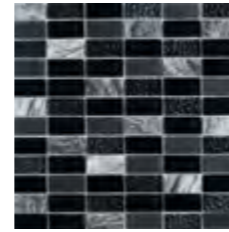
- + Easy to cut mesh backing to preferred size with a craft knife or scissors
- + Glossy, elegant finish

Product Codes

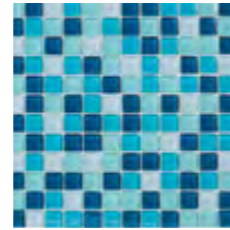
Marble 300x300x8mm	30095MRB
Grey 300x300x8mm	30095GRY
Blue 300x300x8mm	30095BLU



Marble



Grey



Blue

Tile Edge Trim & Strips

Features & Benefits

- + Tile edging protects the edge of tiles from damage and neatly covers the unglazed tile edges
- + Transition strips provide a smooth transition between tiles and flooring for a clean, smart look
- + Tile edging is available in matte white to blend perfectly with all white tiles
- + Slightly rounded corners give a softer and neater edge to tiles for a professional finish

Product Codes

8mm Tile Edging Trim 3m/pc (pack of 10)	30072
Tile to Vinyl Floor Transition Strip 3m/pc (pack of 10)	30073
Safety Flooring to Wall Trim with flexible lip 3m/pc	21905



Tile Edging Trim



Tile to Vinyl Floor Transition Strip



Safety Flooring to Wall Trim with flexible lip

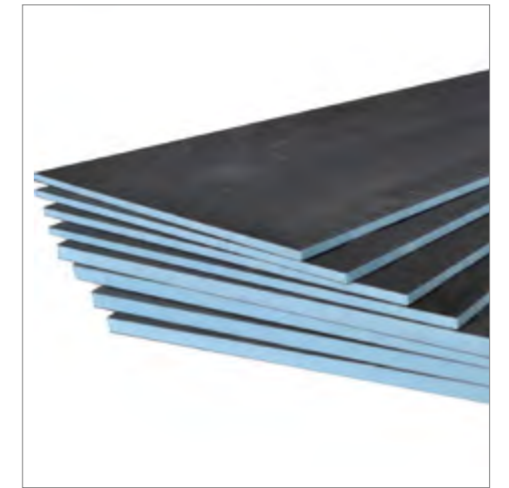
Tile Backer Board

Features & Benefits

- + Extremely strong and durable
- + Smooth glass fibre reinforced surface
- + Quick to install
- + Lightweight extruded Polystyrene core
- + Great insulation solution for wet rooms and dry lining buildings
- + Tile backer boards create a waterproof barrier behind the tiles
- + The concrete coating adds strength and rigidity, creating a smooth and durable surface that is ideal for the application of tile adhesive and grout

Product Codes

6mm x 1200mm x 600mm	27705
10mm x 1200mm x 600mm	27706
12mm x 1200mm x 600mm	27707
Tile Backer Washers & 25mm Screw Fixings x 50	18-001-437
Tile Backer Washers & 40mm Screw Fixings x 50	18-001-438



Tile Spacers

Features & Benefits

- + Can be cut to create 'T-shaped' spacers
- + Made from tough durable plastic for re-use

Product Codes

2mm Tile Spacers (500 pack)	30069
3mm Tile Spacers (500 pack)	30070
4mm Tile Spacers (500 pack)	30071



Bond It Steri-Grout for Floor and Wall Tiles

Features & Benefits

- + Specially formulated Steri-Grout
- + Antibacterial for sanitary installations
- + Formulated to be slump-free and flexible for quick application and easy filling of deep joints
- + Contains fungicide to inhibit black mould growth
- + Coverage: 3kg bag typically covers 6sqm
- + Drying time of 12-24 hours*

Product Code

Bond It Steri-Grout for Floor and Wall Tiles (3kg Bag)

30077



Bond It Non-Slip Ceramic Wall Tile Adhesive

Features & Benefits

- + Ready mixed polymer based adhesive
- + Suitable for fixing all types of ceramic wall tiles
- + Coverage: 13kg tub covers 6sqm
- + Drying time: 24 - 72 hours*
- + Superior grip properties ensure reduced slip

Product Code

Bond It Non-Slip Ceramic Wall Tile Adhesive 13kg

30078



Bond-it Premium Ceramic Tile Adhesive

Features & Benefits

- + For use with ceramic wall tiles, including mosaics
- + Excellent grip properties, reducing the need for spacers and battens
- + Coverage: 15kg tub covers 5sqm*
- + Drying time 24-72 hours*

Product Code

Bond-it Premium Ceramic Tile Adhesive 15kg

30127



*Dependent on site conditions



Palace Cream tiled bathroom



Safety Flooring

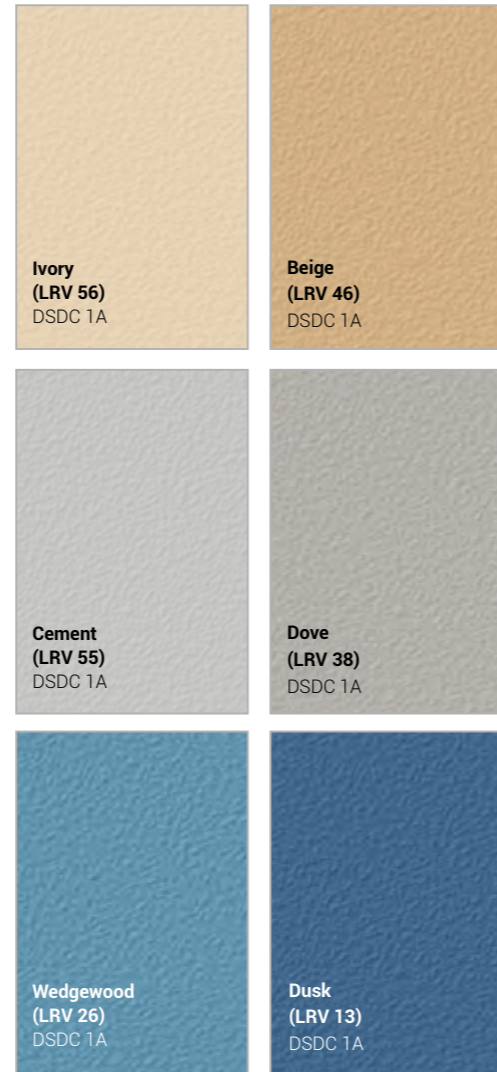
AKW Safety Flooring comes in a wide range of stylish colours and provides a high level of slip resistance in a bathroom adaptation. 100% watertight, durable and comfortable underfoot, it's ideal for all bathrooms.


Safety Flooring

In a wet room installation, safety flooring is used to provide a slip-resistant surface and a hygienic, safe environment for a wide range of users. AKW safety flooring provides the same level of slip resistance in both wet or dry conditions, regardless of whether the user is wearing shoes or is barefoot.

Features & Benefits

- + 6 dementia-friendly colour options accredited by the Dementia Services Development Centre (DSDC), all achieving the highest rating - Class 1a
- + AKW Safety Flooring has achieved the highest slip-resistance rating for barefoot users in wet and soapy environments
- + Light Reflective Value – range includes plain colours for high contrast in care environments
- + Suitable for users with dementia – with no large speckles in flooring, which can cause confusion
- + Watertight, impervious surface – fully bonded system that liquids cannot penetrate and has nowhere for bacteria to go
- + Easy to clean surface limits limescale build up
- + Long-lasting – provides you with 10 years of guaranteed slip-resistant flooring (if installed to manufacturer specification)
- + PVC floor covering with glass fibre reinforced polyester cellulose backing – allows it to be used with underfloor heating
- + Phthalate free – plasticisers are based on natural resources
- + Cut to order in 0.5m increments x 2m width



 Safety Flooring is non-returnable, because it is cut to order.



Product Codes

Colour	0.5 x 2m	20 x 2m roll
Beige	21901-BGE	21903-BGE
Cement	21901-CMT	21903-CMT
Dove	21901-DVE	21903-DVE
Dusk	21901-DSK	21903-DSK
Ivory	21901-IVR	21903-IVR
Wedgewood	21901-WDW	21903-WDW

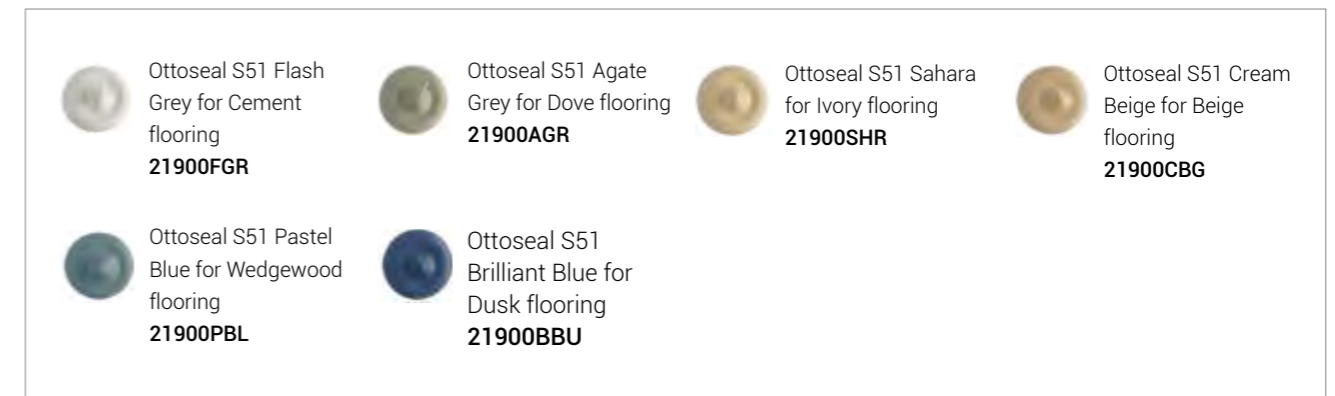
Coloured Silicone for Safety Flooring – Ottoseal® S51

Features & Benefits

- + Colour matched with AKW Safety Flooring
- + Flame resistant according to DIN 4102-B1
- + Excellent weathering, ageing and UV-resistance
- + 1-component silicone sealant based on aminoxime
- + MEKO Free (safer working non-toxic)

Product Code

Coloured Silicone for Safety Flooring – Ottoseal® S51 **21900**



Flooring Weld Rod

Features & Benefits

- + Watertight and hygienic seam
- + Range of colours available either matching to floor colour or contrasting for an artistic touch
- + Solidified adhesive in rod application to easily melt into grooves and cuts to seal safety flooring
- + Available in 1m lengths cut to order or 100m rolls



Product Codes

Colour	1m length	100m roll
Beige	21902-BGE	21904-BGE
Cement	21902-CMT	21904-CMT
Dove	21902-DVE	21904-DVE
Dusk	21902-DSK	21904-DSK
Ivory	21902-IVR	21904-IVR
Wedgewood	21902-WDW	21904-WDW

F44 Styccobond Adhesive

Features & Benefits

- + Strong initial tack
- + Long initial open time
- + Solvent free
- + Protected against bio-degeneration
- + Suitable for use with underfloor heating

Product Code

F44 Flooring Adhesive 5L (20m²)

21897



F66 Styccobond Solvent Free Contact Adhesive

Features & Benefits

- + Solvent free, low odour adhesive
- + Easy to apply with a notched spreader or sponge applicator
- + Instant bond
- + Good drying characteristics within 30 minutes
- + Coverage 5sqm per litre with spreader or 9sqm with sponge

Product Code

F66 Contact Adhesive, Solvent Free 5L

30128



Bond-it Levelling Floor Compound

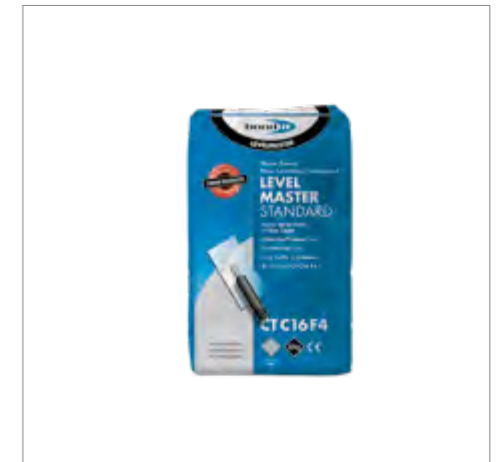
Features & Benefits

- + Self levelling – mix with water or latex liquid
- + Accepts floor traffic after 3-4 hours (depending on site conditions)
- + An easy-to-use pre-blended single pack ready to mix
- + Coverage – 20kg bag will cover approximately 3.6sqm at a depth of 3mm

Product Code

Bond-it Levelmaster Floor Compound 20KG

21896



Bond-it Latex Liquid

Features & Benefits

- + 1:1 Mix ratio. For every 20kg pack of Levelmaster use 1 container of Latex Liquid
- + 24 month shelf life
- + Levelling compound/latex mix sets in 24 hours (depending on site conditions)

Product Code

Bond-it Latex Liquid 4.5L

21895



Flooring Capping Strip

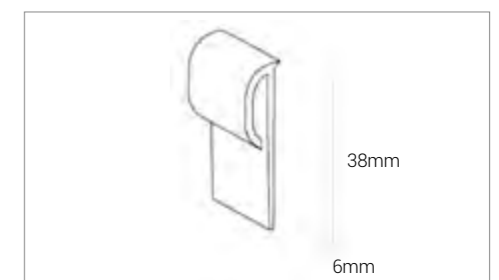
Features & Benefits

- + High-quality, flexible PVC extrusion
- + Available in white
- + Easy to install, cut and handle on site
- + Clean finish when flooring is covered up a wall
- + Adds a water-resistant barrier to the edge of the flooring

Product Code

Flooring Flexible White PVC Capping Strip – 2m

21898WHT



3m Vinyl Flooring Coving

Features & Benefits

- + Provides a preformed radius for flooring installation
- + Installing the coving and dressing the flooring up the wall provides an end solution that is easy to clean
- + Colour: Black
- + Width: 50mm

Product Code

Pack of 5 x 3m lengths

30085



Flooring Threshold Strip

Features & Benefits

- + Water resistant
- + Self-adhesive, waterproof foam tape
- + Enables level access
- + Silver, smooth finishing

Product Code

Flooring threshold strip – 950mm length

27695



Safety Flooring to Wall Trim with Flexible Lip

Features & Benefits

- + Provides smooth transition between tiles and vinyl flooring
- + High-quality, PVC extrusion, designed to give a clean finish when flooring is covered up a wall
- + Flexible lip provides additional ease during installation process
- + PVC material is easy to cut and handle on site

Product Code

Pack of 1 x 3m lengths

21905



CLS Timber 3"x 2"

Features & Benefits

- + Easy to cut and fit
- + Softwood planed with rounded edges
- + Ideal for interior framing, support and carcassing
- + Robust – provides stability and reliability
- + Strength graded to C16 specification
- + Treated timber is treated with tanalith
- + Finished size: 63mm(w) x 38mm(h)

Product Codes

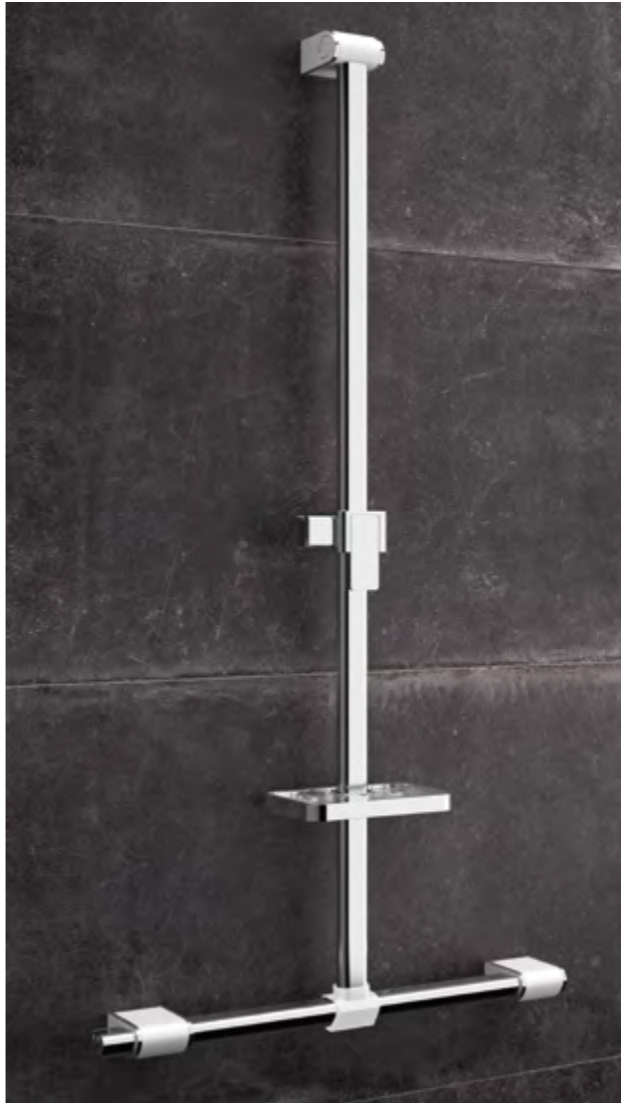
Untreated Timber 76mm (3in) x 50mm (2in) x 2400mm (96in) **21886**

Treated Timber 76mm (3in) x 50mm (2in) x 2400mm (96in) **21887**





Mobility Support



Grab Rails **333**

Plastic Grab Rails	336
Heavy Duty Grab Rails	338
Stainless Steel Grab Rails	340
Onyx 2 Grab Rails	346
T-Shaped Grab Rails	351
Hand Rails	351
Floor-to-Ceiling Support Poles	352
Fold-Up Support Rails	353
Floor Mounted Pillar for Fold-Up Rail	355
Straight Stainless Steel Grab rail	356
Curved Stainless Steel Grab Rails	357
Grab-a-Rail	358

Shower Seats **361**

Fold-Up Shower Seats	362
4000 Series Shower Seats	362
3000 Series Shower Seats	371
2000 Series Shower Seats	372
1000 Series Shower Seats	375
Onyx Shower Seats	376
Bama Shower Seats	379
Hanging Shower Seats	380
Freestanding Shower Seats	381
Wooden Shower Seats	382

Mobility Ramps **385**

Threshold Ramps	386
Standard Ramps	387

Grab Rails

Our range of grab rails offers a wide variety of styles to ensure the appropriate level of support.



1400 Series Straight Plastic Grab Rails

Features & Benefits

- + Five fixing points for optimum wall fixing provides added strength and security
- + A 59mm rail-to-wall clearance allows for easier grip for the users with limited dexterity to support themselves
- + Fluted surface gives additional grip especially when hands are wet
- + Colour options available in mid-blue, dark grey, white and blue, specifically designed for the visually impaired
- + No electrical earthing is required
- + High quality uPVC provides durability and longevity
- + Multi-purpose suitable for use throughout the home
- + Wall fixings not supplied

Specifications

Tested to a maximum load of 15.5 stone / 100kg**

Diameter: 32mm

Suitable for internal use

Made from high-quality uPVC

Product Codes

300mm Straight Plastic Rail	01400WH/BU/MG/DB*
450mm Straight Plastic Rail	01410WH/BU/MG/DB*
600mm Straight Plastic Rail	01420WH/BU/MG/DB*



Available individually.
300mm & 450mm available in box of 25.
600mm available in box of 20.

*WH/BU/MG/DB denotes the colour of the rail. WH is White; BU is Blue; MG is Mid-Grey and DB is Dark Blue.

1400 Series Angled Plastic Grab Rails

Features & Benefits

- + 90° and 135° angle grab rails are available to suit user preference
- + Five fixing points for optimum wall fixing provides added strength and security
- + A 59mm rail-to-wall clearance allows for easier grip for the users with limited dexterity to support themselves
- + Fluted surface gives additional grip especially when hands are wet
- + Colour options available in mid-blue, dark grey, white and blue specifically designed for the visually impaired
- + No electrical earthing is required
- + High quality uPVC provides durability and longevity
- + Multi-purpose suitable for use throughout the home
- + Wall fixings not supplied

Specifications

Tested to a maximum load of 15.5 stone / 100kg**

Diameter: 32mm

Suitable for internal use

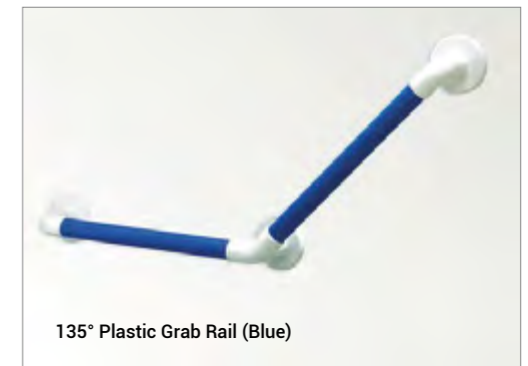
Made from high-quality uPVC

Product Codes

600x600mm Angled Plastic Grab Rail (90°)	01430WH/BU*
450x450mm Angled Plastic Grab Rail (135°)	01440WH/BU*



90° Plastic Grab Rail (Blue)



135° Plastic Grab Rail (Blue)

Available individually or in boxes of 10.

*WH/BU in the product code denotes whether the rail is White or Blue.

1600 Series Straight Natural Grip Plastic Grab Rails

Features & Benefits

- + Unique 'warm feel' polypropylene for comfort
- + Reinforced with a stainless steel (rust proof) core for added strength
- + Ergonomically designed with a distinctive grip that is comfortable and easy to grip
- + A 46mm rail-to-wall clearance allows for easier grip for the users with limited dexterity to support themselves
- + Colour options available in white, grey or blue designed to create contrast for users with visual impairment
- + Easy installation as no electrical earthing is required
- + Includes five fixing points for optimal strength and security
- + Wall fixings not supplied

Specifications

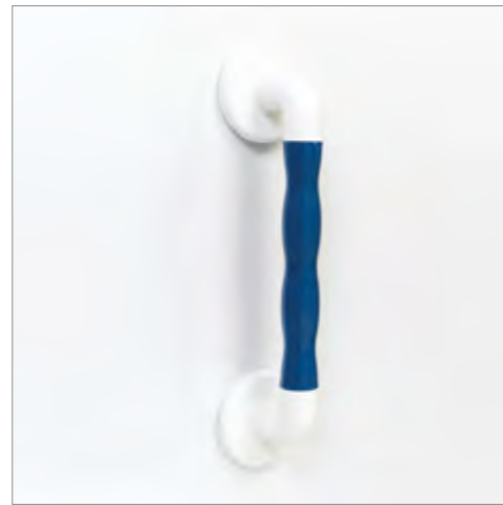
Tested to a maximum load of 19.5 stone / 125kg**

Core material: Stainless steel

Outer material: Polypropylene

Product Codes

300mm Natural Grip Grab Rail (32mm Diameter, Straight)	01600WH/BU*
300mm Natural Grip Grab Rail (35mm Diameter, Straight)	01650WH/BU*
450mm Natural Grip Grab Rail (32mm Diameter, Straight)	01610WH/BU*
450mm Natural Grip Grab Rail (35mm Diameter, Straight)	01660WH/BU*
600mm Natural Grip Grab Rail (32mm Diameter, Straight)	01620WH/BU*
600mm Natural Grip Grab Rail (35mm Diameter, Straight)	01670WH/BU*



i Five fixing points

*WH/BU in the product code denotes whether the rail is White or Blue.

**Maximum weight capacity refers to the grab rail only, not the user weight, fixings or retention in the mounting surface.

Available individually.
300mm & 450mm available in box of 25.
600mm available in box of 20.

1600 Series Angled Natural Grip Plastic Grab Rails

Features & Benefits

- + Unique 'warm feel' polypropylene for comfort
- + Reinforced with a stainless steel (rust proof) core for added strength
- + Ergonomically designed with a distinctive grip that is comfortable and easy to grip
- + A 46mm rail-to-wall clearance allows for easier grip for the users with limited dexterity to support themselves
- + Colour options available in white, grey or blue designed to create contrast for users with visual impairment
- + Easy installation as no electrical earthing is required
- + Includes five fixing points for optimal strength and security
- + Wall fixings not supplied

Specifications

Tested to a maximum load of 19.5 stone / 125kg**

Core material: Stainless steel

Outer material: Polypropylene

Product Codes

600x600mm Natural Grip Grab Rail (32mm Diameter, 90° Angled)	01630WH/BU*
450x450mm Natural Grip Grab Rail (32mm Diameter, 135° Angled)	01640WH/BU*
450x450mm Natural Grip Grab Rail (35mm diameter, 135° Angled)	01690WH/BU*



135° Natural Grip Grab Rail (Blue)

Available individually or in boxes of 12.

*WH/BU in the product code denotes whether the rail is White or Blue.

1900 Series Straight Heavy Duty Grab Rails

Reinforced with an aluminium tubular core for greater strength.

Features & Benefits

- + Choice of five fixing points for optimum wall fixing providing added strength and security
- + Fluted surface gives additional grip especially when hands are wet
- + Colour options available in white or blue designed to create contrast for users with visual impairment
- + Easy installation as no electrical earthing is required
- + Reinforced aluminium tubular core for greater strength
- + 38mm rail-to-wall clearance allows for easier grip for the users with limited dexterity to support themselves
- + Wall fixings not supplied

Specifications

Tested to a maximum load of 30 stone / 190kg**

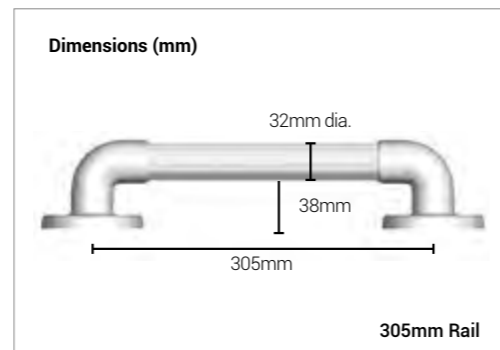
Diameter: 32mm

Cannot be trimmed

Made from extruded plastic uPVC

Product Codes

305mm Heavy Duty Grab Rail	01900WH/BU*
407mm Heavy Duty Grab Rail	01905WH/BU*
457mm Heavy Duty Grab Rail	01910WH/BU*
610mm Heavy Duty Grab Rail	01920WH/BU*
813mm Heavy Duty Grab Rail	01930WH/BU*
914mm Heavy Duty Grab Rail	01940WH/BU*
1067mm Heavy Duty Grab Rail	01950WH/BU*



Registered Design: EU0000692249-0001

**Maximum weight capacity refers to the grab rail only, not the user weight, fixings or retention in the mounting surface.

*WH/BU in the product code denotes whether the rail is White or Blue.

Available individually.

305 - 457mm available in boxes of 20.

610 - 1067mm available in boxes of 10.

1900 Series Angled Heavy Duty Grab Rails

Features & Benefits

- + 90° and 135° angle grab rails are available to suit user preference
- + A 38mm rail-to-wall clearance allows for easier grip for the users with limited dexterity to support themselves
- + Fluted surface gives additional grip especially when hands are wet
- + Colour options available in white or blue designed to create contrast for users with visual impairment
- + Easy installation as no electrical earthing is required
- + Versatile option as these grab rails are trimmable
- + Wall fixings not supplied

Specifications

Tested to a maximum load of 30 stone / 190kg**

Diameter: 32mm

Made from extruded plastic uPVC

Product Codes

610x610mm Heavy Duty Grab Rail (90° Angle)	01925WH*
455x455mm Heavy Duty Grab Rail (135° Angle)	01915WH/BU*



Available individually or in boxes of 10.

*WH/BU in the product code denotes whether the rail is White or Blue.

Registered design: EU0000692249-0001

Stainless Steel Straight Grab Rails

Features & Benefits

- + Three fixing points provides a secure fitting and added strength
- + 56mm rail to wall clearance allows for easier grip for the users with limited dexterity to support themselves
- + High grade stainless steel provides longevity
- + Polished finish improves the aesthetics of the bathroom
- + Wall fixings not supplied

Specifications

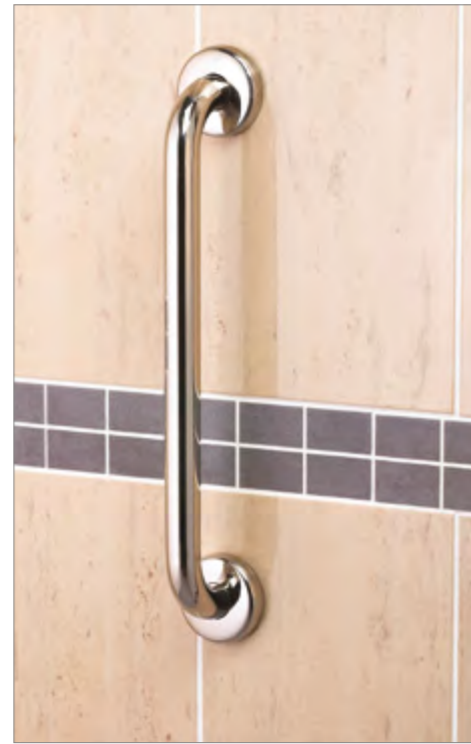
Material: high-grade stainless steel

Diameter: 32mm

Tested to a maximum load of 23.5 stone / 150kg

Product Codes

300mm Stainless Steel Straight Grab Rail	01230
450mm Stainless Steel Straight Grab Rail	01231
600mm Stainless Steel Straight Grab Rail	01232



Available individually or in boxes of 10.

Epoxy Coated Stainless Steel Straight Grab Rail

Features & Benefits

- + Available in dark blue, mid-grey and white to suit user preference
- + Three fixing points provides a secure fitting and added strength
- + Lifetime warranty gives peace of mind
- + 56mm rail to wall clearance allows for easier grip for the users with limited dexterity to support themselves
- + Smooth surface make is easy to clean
- + Captive flange covers to conceal fixings and improve aesthetics
- + Wall fixings not supplied

Specification

Tested to a maximum load of 23.5 stone / 150kg*

Product Codes

300mm Mid Grey SS Grab Rail	01240MG
450mm Mid Grey SS Grab Rail	01241MG
600mm Mid Grey SS Grab Rail	01242MG
300mm Dark Blue SS Grab Rail	01240DB
450mm Dark Blue SS Grab Rail	01241DB
600mm Dark Blue SS Grab Rail	01242DB
300mm White SS Grab Rail	01240WH
450mm White SS Grab Rail	01241WH
600mm White SS Grab Rail	01242WH



Available individually or in boxes of 10.

*Maximum weight capacity refers to the grab rail only, not the user weight, fixings or retention in the mounting surface.

1200 Series Flat End Straight Stainless Steel Grab Rails

Features & Benefits

- + Flat-ended for flush installation creating an unobtrusive support
- + Versatile application for use indoors or outdoors
- + Available in white to provide discrete external appearance
- + A 43mm rail-to-wall clearance allows for easier grip for the users with limited dexterity to support themselves
- + Two-hole fixings on each end for secure fitting
- + Lifetime warranty on stainless-steel for peace of mind
- + Wall fixings not supplied

Specifications

Material: stainless-steel tubular grab rail

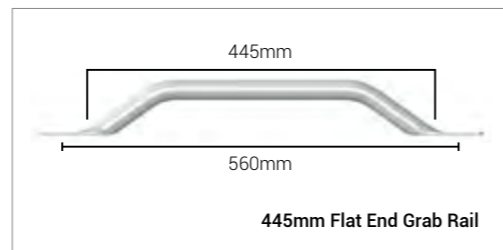
ASTM B117-87 96-hour salt spray tested

Finish: polyester epoxy powder coating

Diameter: 25mm

Product Codes

305mm Flat End Steel Grab Rail	01200WH/2
445mm Flat End Steel Grab Rail	01210WH/2
610mm Flat End Steel Grab Rail	01220WH



Available individually.
305mm & 445mm available in box of 50.
610mm available in box of 20.

1000 Series Flat End Straight Mild Steel Grab Rails

Features & Benefits

- + Flat-ended for flush installation creating an unobtrusive support
- + Versatile application for use indoors or outdoors
- + Available in white or brown to provide discrete external appearance
- + A 43mm rail-to-wall clearance and 1.2mm wall thickness allows for easier grip for the users with limited dexterity to support themselves
- + Two-hole fixings on each end for secure fitting
- + Coating process includes rust inhibitor treatment increasing longevity
- + Wall fixings not supplied

Specifications

Material: stainless-steel tubular grab rail with 1.2mm wall thickness

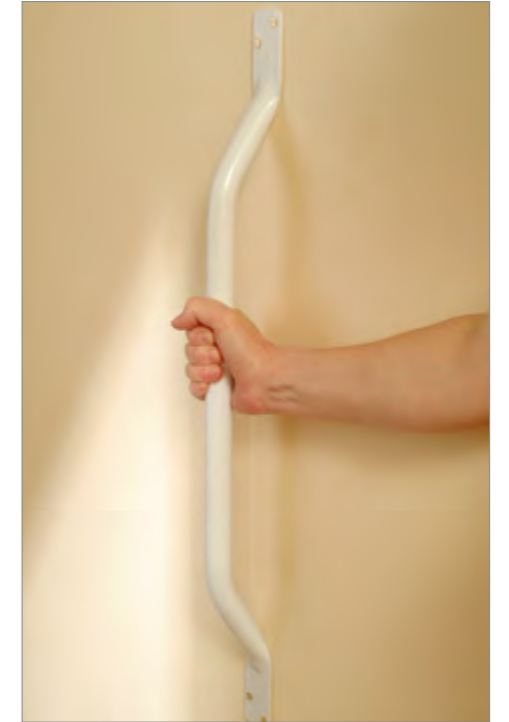
ASTM B117-87 96-hour salt spray tested

Finish: polyester epoxy powder coating

Diameter: 25mm

Product Codes

305mm Flat End Steel Grab Rail	01000E/2
445mm Flat End Steel Grab Rail	01010E/2
610mm Flat End Steel Grab Rail	01020E/2



Available individually.
305mm & 445mm sold in box of 50.
610mm sold in box of 20.

1700 Series Flat End Cranked Steel Grab Rails

Features & Benefits

- + Offset design allows the user to step up to and through the doorway without releasing the grip
- + Spacious design avoids hand grazing
- + White rail is manufactured from a longer lasting cold drawn mild steel tube
- + Brown rail is manufactured from stainless steel (201 grade)
- + Versatile application suitable for all internal applications, except for bath and shower rooms
- + Powder coated finishing process includes rust inhibitor treatment increasing longevity
- + Wall fixings not supplied

Specification

Diameter: 26.7mm

Product Codes

445mm Steel Cranked Rail White	01760
445mm Steel Cranked Rail Brown	01770
630mm Steel Cranked Rail White	01750/1



Available individually.
445mm sold in box of 20.
630mm sold in box of 35.



Onyx 2 Grab Rails

Introducing our versatile Onyx 2 grab rails. These products are part of the Onyx range which offers a synergy of finishes and styles throughout the whole range.

The Onyx 2 grab rails are available in chrome and white as standard. They can then be tailored to your own requirements with a choice of interchangeable wall bracket covers, which can be ordered separately.

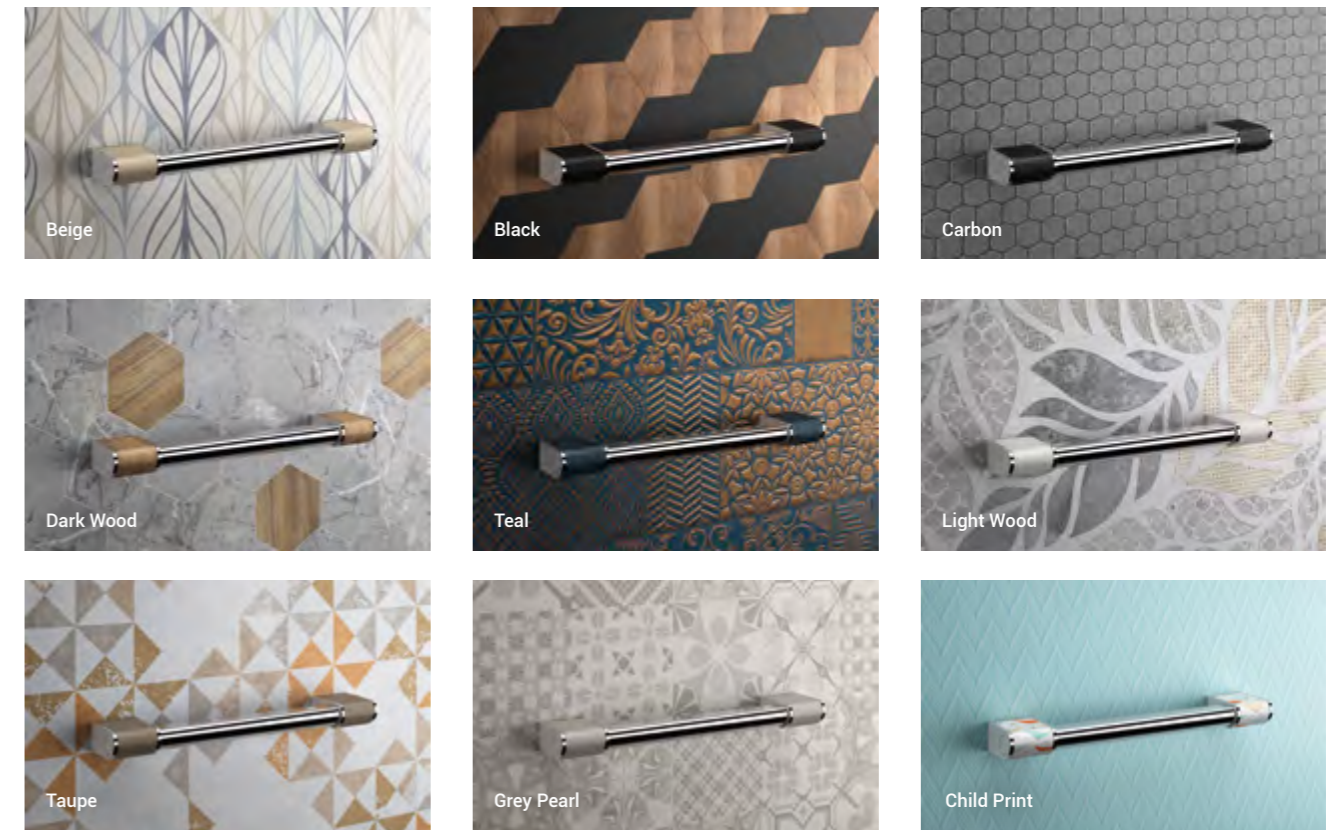
The Onyx 2 Grab Rails range includes the following options:

- + Straight 300mm grab rail
- + Straight 450mm grab rail
- + Straight 600mm grab rail
- + T&L grab rail:
 - The vertical rail can be moved along the horizontal rail to create either a T or L shape. When desired position is defined by the customer, simply fix the two grab rails together - fixed via screw underneath for discreteness.
 - T&L grab rail is supplied with: soap shelf, handset slider and an additional handset holder on the horizontal grab rail.

ONYX₂



Interchangeable Wall Bracket Covers (Colour Options, Product Codes & Dimensions)



Colour Option	Onyx 2 Pair of interchangeable covers		Onyx 2 135° angled interchangeable cover	
	Code	RAL	Code	RAL
Black	12806BK-LS	RAL7021	12807BK-LS	RAL7021
Teal	12806TE-LS	RAL5020	12807TE-LS	RAL5020
Grey Pearl	12806GP-LS	RAL7035	12807GP-LS	RAL7035
Taupe	12806TP-LS	RAL7006	12807TP-LS	RAL7006
White	12806WH-LS	RAL9003	12807WH-LS	RAL9003
Beige	12806BG-LS	RAL1015	12807BG-LS	RAL1015
Light Wood	12808LW-LS	-	12809LW-LS	
Dark Wood	12808DW-LS	-	12809DW-LS	
Carbon	12808CR-LS	-	12809CR-LS	
Child Print	12808CH-LS	-	12809CH-LS	

Onyx 2 Straight Grab Rail

Features & Benefits

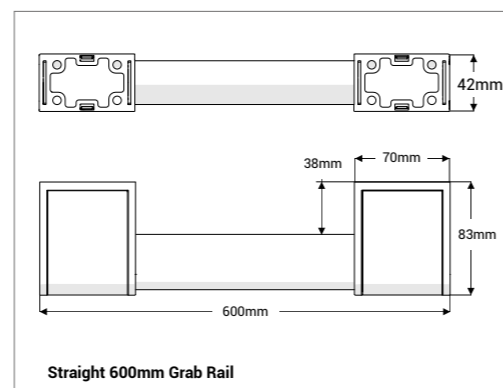
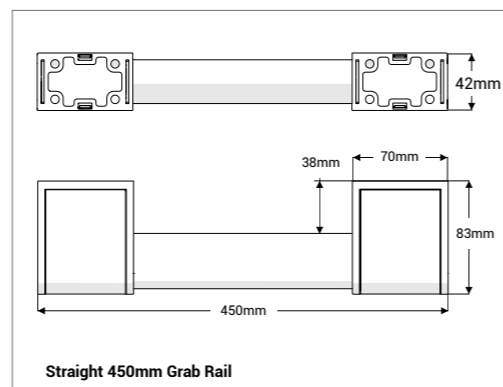
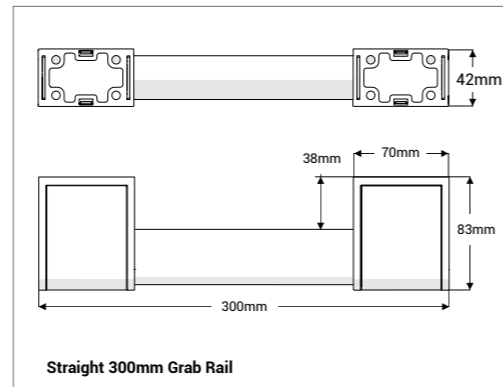
- + Minimalist, contemporary design reflecting the latest trends in industrial design
- + Interchangeable wall bracket covers offer customer personalisation, available in 5 different colours and 4 different printed finishes
- + An ergonomic triangular rail offers a greater ability to grip the rail
- + Grab rails maximum weight load of 150kg/24st offering strength and stability when the user needs it most
- + Safe and secure and easy to install with 4 fixing points per bracket
- + Durable, safe and designed to withstand everyday use
- + Modern design is not compromised by invisible fixing points
- + Lifetime warranty provides users peace of mind
- + Handset Holder is available as an optional extra
- + Wall fixings not supplied

Specifications

Chrome tube
White wall brackets' covers supplied as standard
Plain colour finishes are matt
AKW branding on end caps - chrome finish
Materials:
Aluminium alloy rails
Die cast aluminium alloy wall brackets and ABS covers
SS washers and bolts
Maximum weight load: Straight grab rail: 150kg /24stone
Fixing points: 4 per bracket
Wall clearance: 38mm
Rail cross section dimensions: 40.5 x 32 mm (W x H)

Product Codes

Onyx 2 straight grab rail chrome & white 300mm	12801-LS
Onyx 2 straight grab rail chrome & white 450mm	12802-LS
Onyx 2 straight grab rail chrome & white 600mm	12803-LS
Onyx 2 - Handset holder	12810-LS



Onyx 2 135° Angled Grab Rail

Features & Benefits

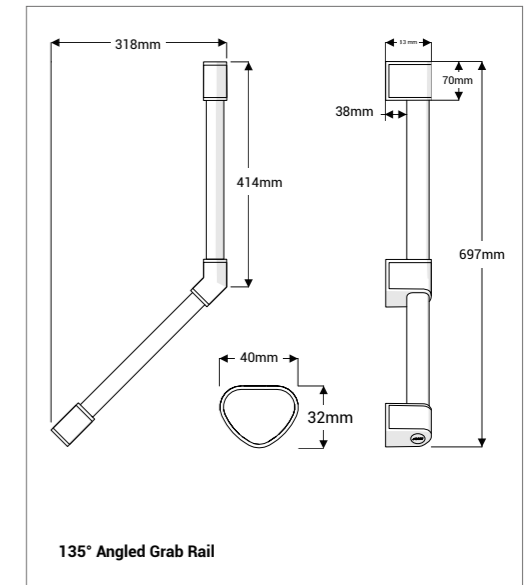
- + Minimalist, contemporary design reflecting the latest trends in industrial design
- + Interchangeable wall bracket covers offer customer personalisation, available in 5 different colours and 4 different printed finishes
- + An ergonomic triangular rail offers a greater ability to grip the rail
- + Grab rails maximum weight load of 150kg/24st offering strength and stability when the user needs it most
- + Safe and secure and easy to install with 4 fixing points per bracket
- + Durable, safe and designed to withstand everyday use
- + Modern design is not compromised by invisible fixing points
- + Lifetime warranty provides users peace of mind
- + Handset Holder is available as an optional extra
- + Wall fixings not supplied

Specifications

Chrome tube
White wall brackets' covers supplied as standard
Plain colour finishes are matt
AKW branding on end caps - chrome finish
Materials:
Aluminium alloy rails
Die cast aluminium alloy wall brackets and ABS covers
SS washers and bolts
Maximum weight load: Straight grab rail: 150kg /24stone
Fixing points: 4 per bracket
Wall clearance: 38mm
Rail cross section dimensions: 40.5 x 32 mm (W x H)

Product Codes

Onyx 2 135° Angled Grab Rail Chrome & White 400x400mm	12804-LS
---	----------



Onyx 2 T & L Shaped Grab Rail

Features & Benefits

- + Minimalist, contemporary design reflecting the latest trends in industrial design
- + Interchangeable wall bracket covers offer customer personalisation, available in 5 different colours and 4 different printed finishes
- + An ergonomic triangular rail offers a greater ability to grip the rail
- + Grab rails maximum weight load of 100kg /16st (vertical rail) and 150kg /24st (horizontal rail) offering strength and stability when the user needs it most
- + Handset slider (T&L grab rails) are flexible, they can be fitted to the left or right depending on the customer preference
- + Safe and secure and easy to install with 4 fixing points per bracket
- + Durable, safe and designed to withstand everyday use
- + Modern design is not compromised by invisible fixing points
- + Lifetime warranty provides users peace of mind
- + Wall fixings not supplied

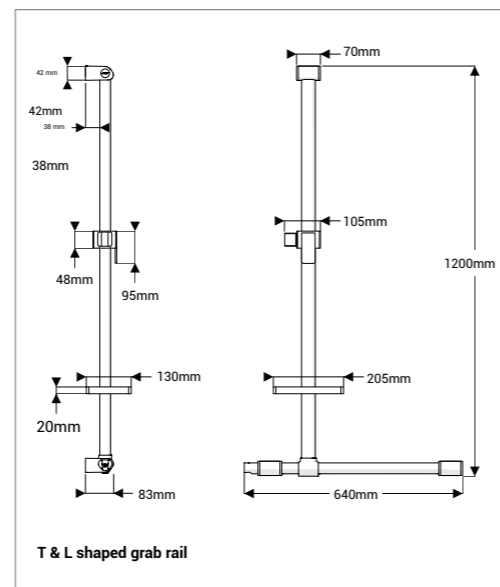


Specifications

Chrome tube
White wall brackets' covers supplied as standard
Plain colour finishes are matt
AKW branding on end caps - chrome finish
Materials:
Aluminium alloy rails
Die cast aluminium alloy wall brackets and ABS covers
SS washers and bolts
ABS handset holder and soap shelf
ABS handset slider
Maximum weight load:
Horizontal rail: 150kg /24stone,
Vertical rail 100kg/16stone
Fixing points: 4 per bracket
Wall clearance: 38mm
Rail cross section dimensions: 40.5 x 32 mm (W x H)

Product Codes

Onyx 2 T & L shaped grab rail chrome & white	12805-LS
Onyx 2 T & L shaped grab rail chrome & black	12805BK-LS
Onyx 2 - Handset holder	12810-LS
Onyx 2 - Slider	12817-LS



T-Shape SS Epoxy Coated Grab Rail

Features & Benefits

- + T-shape grab rail
- + 1200x300x300mm
- + Available in white
- + Stainless steel epoxy resin coated
- + Wall fixings not supplied

Product Code

T-Shaped SS Epoxy Coated Grab Rail

01245WH



Newel Hand Rail

Features & Benefits

- + 90° turn around the newel post provides additional grip for safety while using the stairs
- + Finishing process includes rust inhibitor treatment provides durability and longevity
- + Three-hole fixing flange for a safe and secure installation
- + Available left or right-handed to accommodate both left and right bannisters
- + Wall fixings not supplied

Specifications

Diameter: 32mm
Length: 707mm
Made from cold-drawn, mild steel tube
Tested to ASTM B117-87 salt spray test
White, epoxy resin coated

Product Code

Newel Hand Rail White

01745L/R



L/R in the product code denotes whether the rail is Left or Right handed.

Floor-to-Ceiling Support Pole

Features & Benefits

- + Can be trimmed to length to accommodate various ceiling heights
- + Three fixing points provides a secure fitting and added strength
- + Ribbed PVC pole provides durability and user comfort

Specifications

Diameter: 37mm

Length: 2750mm

Material Inner: stainless steel

Material outer: ribbed PVC

Fixing plates: Finish: polyester epoxy powder coating

Product Code

Floor-to-Ceiling Support Pole

01720



Fold-Up Double Support Rail

Features & Benefits

- + Available in white or blue for users with impaired vision
- + Supplied with optional fit toilet roll holder to suit user requirements
- + Provides support in multi-user bathrooms
- + Ideal when space is limited as it folds neatly back to the wall to maximise space
- + Accommodates user-specific height requirements
- + Tested to a maximum load of 15.5 stone / 100kg**

Product Code

Fold-Up Double Support Rail

01810WH/BU

Spare toilet roll holder code

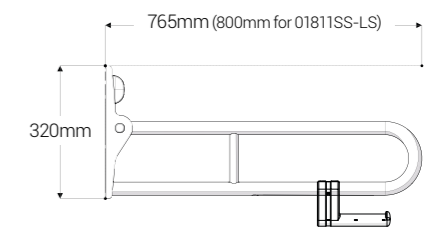
07206

Hinged Fold-Up Double Hairpin Rail (32mm) SS

01811SS-LS



Dimensions



Floor-to-Ceiling Support Pole with Stay

Features & Benefits

- + Can be trimmed to length to accommodate various ceiling heights
- + Four fixing points provides a secure fitting and added strength
- + Ribbed PVC pole provides durability and user comfort

Specifications

Diameter: 32mm

Length: 2750mm with 500mm stay

Made from aluminium

Plastic (ABS) fixings – 4 fixing points

Trim-to-length to suit ceiling height

Stay is trimmable and height is adjustable

Product Code

Floor-to-Ceiling Support Pole with Stay

01730



Fold-Up Double Support Rail with Leg

Features & Benefits

- + Available in white or blue for users with impaired vision
- + Supporting leg gives additional strength and stability
- + Supplied with optional fit toilet roll holder to suit user requirements
- + Provides support in multi-user bathrooms
- + Ideal when space is limited as it folds neatly back to the wall to maximise space
- + Accommodates user-specific height requirements as support leg is trimmable
- + Accommodates user-specific height requirements

Product Code

Fold-Up Double Support Rail with Leg

01820WH/BU*

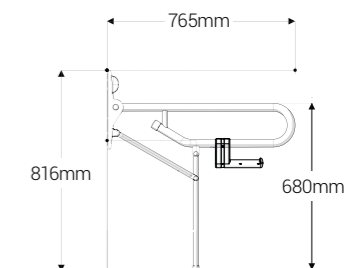
Height to top of rail: 680mm. Tested to a maximum load of 30 stone / 200kg**

*WH/BU in the product code denotes whether the rail is White or Blue.

**Maximum weight capacity refers to the grab rail only, not the user weight, fixings or retention in the mounting surface.



Dimensions



1800 Series Fold-Up Rail with Adjustable Leg

Features & Benefits

- + Strong design for additional support
- + Folds neatly back to the wall to maximise space making it ideal for use in multi-user bathrooms
- + Epoxy resin coating and rust inhibitor treatment ensures durability
- + Supplied with optional fit toilet roll holder to suit user requirements
- + Available in dark blue, mid-grey, white and blue to create a contrast for users with impaired vision
- + Wall fixings not supplied

Specifications

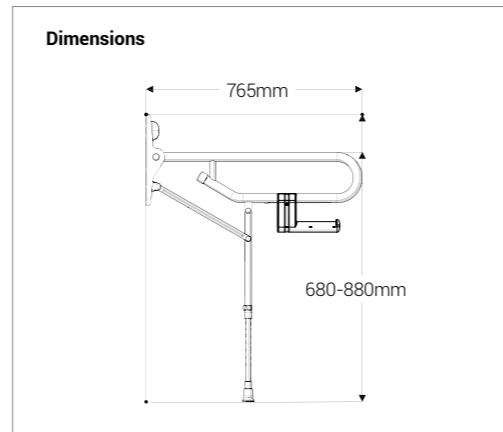
Made from 32mm diameter steel projecting 765mm from wall

Tested to ASTM B117-87 salt spray test

Tested to a maximum load of 30 stone / 200kg

Product Codes

1800 Series Blue Fold-Up Rail	01830BU
1800 Series Mid Grey Fold-up Rail	01830MG
Fold-Up Double Support Rail White (with Adjustable Leg)	01830WH
Stainless Steel Fold-Up Rail (with Adjustable Leg)	01830SS
1800 Series Dark Blue Fold-Up Rail	01830DB



Floor Mounted Pillar for Fold-Up Rails (excluding rail)

Features & Benefits

- + White powder coated mild steel floor mounted support
- + Height: 1005mm (to allow the maximum adjustment for the 01830 (WH/BU/DB/MG/SS) rails of 880mm)
- + The fold-up rails can be fixed at different heights
- + To support the maximum load of fold-up rails without leg of 100kg and with leg of 200kg
- + Easy cleaning
- + Compatible with all the current AKW fold-up rails with and without a leg
- + The fold-up rails can be fixed at different heights
- + Ease the installation of a grab rail if the product cannot be fix directly to the wall (asbestos, windows, plasterboard.)
- + Wall fixings not supplied

Specifications

Construction materials: Powder Coated Mild Steel

Supports the maximum load of fold-up rails without leg of 100kg and with leg of 200kg

Dimensions: H 1005 mm x L 110mm x W 210mm

The fold-up rail can be install at different heights

Product Code

Free Standing Pillar for Fold-up Rail (excluding rail) **01802**



Straight Stainless Steel Grab Rail – Satin & Matt Black

AKW's Straight Stainless Steel Grab Rails offer stability to people with reduced mobility when moving around the bathroom, entering/exiting the shower, or lowering down to/rising from the toilet.

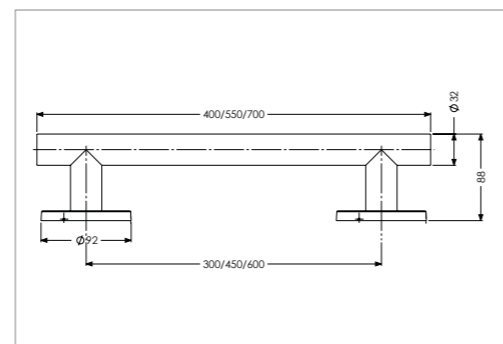
Available in two modern finishes – brushed stainless steel or matt black – the discreet yet contemporary design features concealed fixings and a sleek tubular rail which blends into the home while ensuring support is there when needed most.

Features & Benefits

- + Available in 300 / 450 / 600mm lengths
- + Tubular rail with 32mm diameter offers support to people when moving around the bathroom
- + Offered in two contemporary finishes – brushed stainless steel or matt black
- + Matt black finish offers colour contrast if required for people living with visual impairment
- + Strong and durable 304 stainless steel construction ensures rails provide a maximum weight capacity of 150kg / 23.5st
- + 9 fixing points available per wall bracket offering flexibility to fit multiple screws where needed; each rail has 2 wall brackets
- + All fixing points are concealed by a removable bracket cover which makes the rail easier to clean and protects internal components from exposure to water, dust, and dirt
- + Minimalist, contemporary design able to withstand everyday use
- + Quick and easy-to-install, wall fixings not supplied

Product Code

Straight Satin Stainless Steel Grab Rail 300mm	01273SS
Straight Matt Black Stainless Steel Grab Rail 300mm	01273BK
Straight Satin Stainless Steel Grab Rail 450mm	01274SS
Straight Matt Black Stainless Steel Grab Rail 450mm	01274BK
Straight Satin Stainless Steel Grab Rail 600mm	01275SS
Straight Matt Black Stainless Steel Grab Rail 600mm	01275BK



Specifications

Construction Material: 304 stainless steel
Rail Lengths: 300 / 450 / 600mm
Rail Diameter: 32mm
Wall Clearance: 56mm
Maximum Weight Load: 150kg / 23.5st
Wall Fixing Points: 9 per bracket, 18 per rail
Colour / Finish: Brushed stainless steel or matt black
Fixings not supplied



Curved Stainless Steel Grab Rails

AKW's Curved Stainless Steel Grab Rails offer stability to people with reduced mobility when moving around the bathroom, entering/exiting the shower, or lowering down to/rising from the toilet.

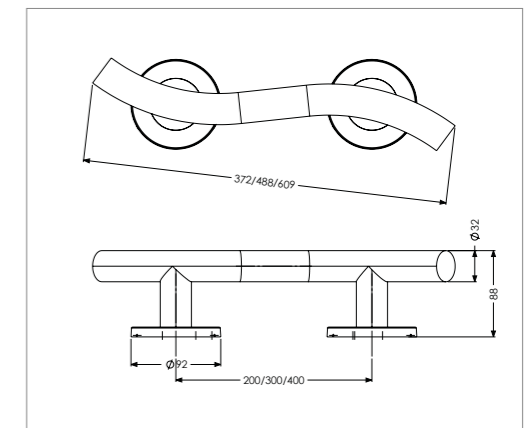
Available with a brushed stainless steel finish, the discreet yet contemporary design features concealed fixings and a curved tubular rail which blends into the home while ensuring support is there when it is needed most.

Features & Benefits

- + Available in 200 / 300 / 400mm lengths
- + Curved tubular rail with 32mm diameter offers support to people when moving around the bathroom
- + Strong and durable 304 stainless steel construction ensures rails provide a maximum weight capacity of 150kg / 23.5st
- + 9 fixing points available per wall bracket offering flexibility to fit multiple screws where needed; each rail has 2 wall brackets
- + All fixing points are concealed by a removable bracket cover which makes the rail easier to clean and protects internal components from exposure to water, dust and dirt
- + Offered in a brushed stainless steel finish which is simple to maintain
- + Minimalist, contemporary design able to withstand everyday use
- + Quick and easy-to-install, fixings not supplied

Product Code

Curved Stainless Steel Grab Rail 200mm	01270
Curved Stainless Steel Grab Rail 300mm	01271
Curved Stainless Steel Grab Rail 400mm	01272



Specifications

Construction Material: 304 stainless steel
Rail Lengths: 200 / 300 / 400mm
Rail Diameter: 32mm
Wall Clearance: 56mm
Maximum Weight Load: 150kg / 23.6st
Wall Fixing Points: 9 per bracket, 18 per rail
Colour / Finish: Brushed stainless steel
Wall Fixings not supplied

Grab-a-Rail

Grab-a-Rail is the new, lightweight kitchen support rail system that can help prevent slips and falls in the home, designed to give users increased independence and reduce the risk of falls when navigating the kitchen space.

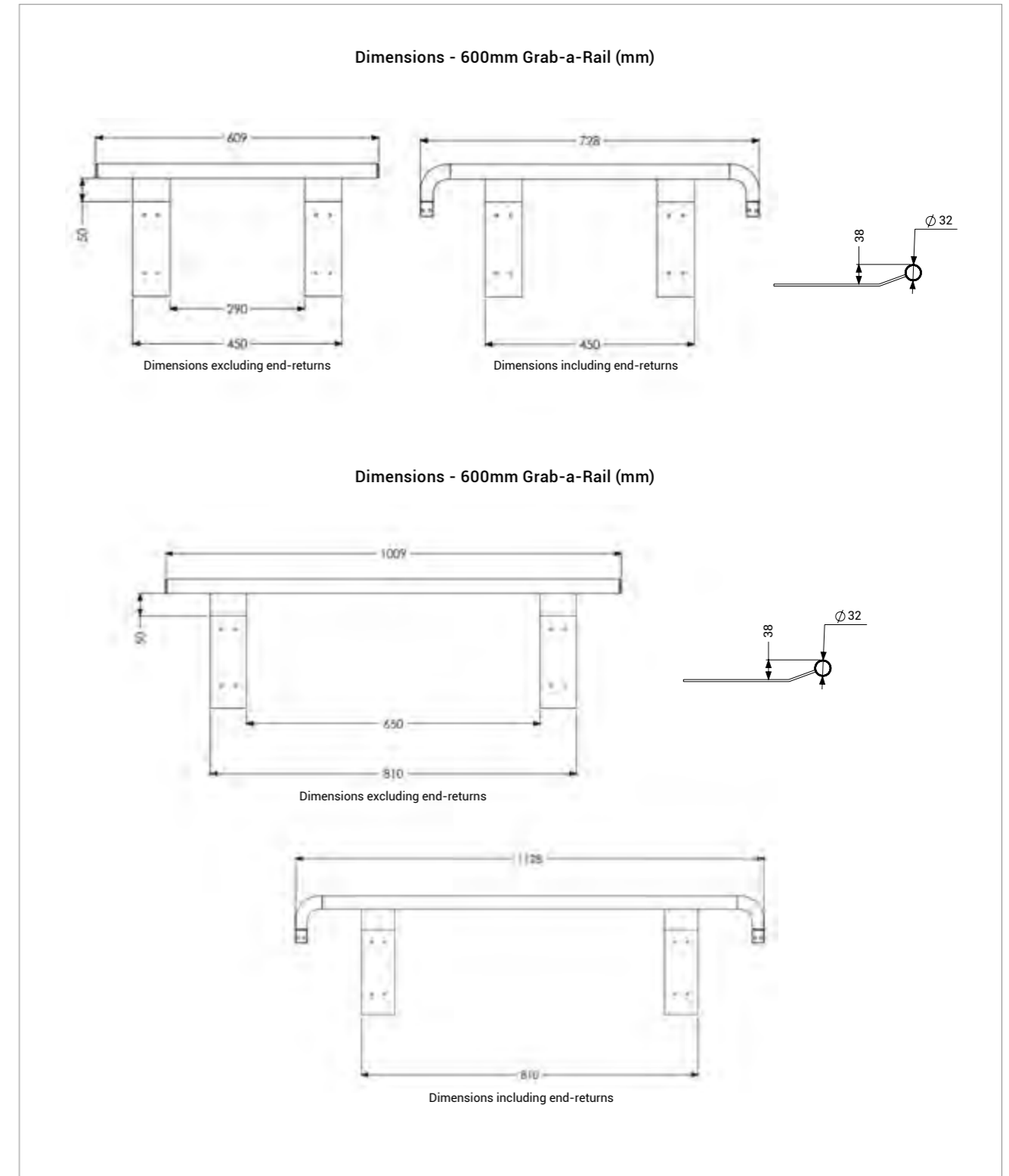
Features & Benefits

- + Grab-a-Rail increases user independence and reduces their risk of falls when navigating the kitchen space
- + Tested to a maximum weight load of 15.5 stone / 100kg
- + Quick and easy to install
- + Supplied in 2 sizes of 600mm and 1000mm. The 1000mm can be trimmed down to 810mm and the 600mm can be trimmed down to 450mm
- + Lifetime warranty for peace of mind
- + Minimalist design, supplied in white to compliment any kitchen
- + Optional left and right-handed returns are available, which are a useful feature to prevent items catching on the end/corners of the Grab-a-Rail
- + Safe and secure fixing points, four fixing points per bracket for a secure installation
- + Offers flexibility to accommodate the customers desired fitting requirements
- + End-returns can be purchased individually in left or right-handed options
- + Durable, safe and designed to withstand everyday use
- + Grab-a-Rail can be fitted to a minimum worktop thickness of 28mm, however if fitting into routed channels in the underside of the worktop the minimum thickness is 32mm
- + Can be fitted to new AKW kitchens or retro-fitted into existing kitchens with different options of install available based on the installation of the units



Product Code

Grab-A-Rail White 600mm	GAR600WH
Grab-A-Rail White 1000mm	GAR1000WH
Grab-A-Rail End Return White LH	GARRTNWHL
Grab-A-Rail End Return White RH	GARRTNWHR



Shower Seats

AKW offers a wide range of shower seats which have been developed in consultation with occupational therapists, end users and installers to ensure functionality and safety without a compromise in style.



4000 Series Standard Fold-Up Shower Seat – 40 Stone Stainless Steel

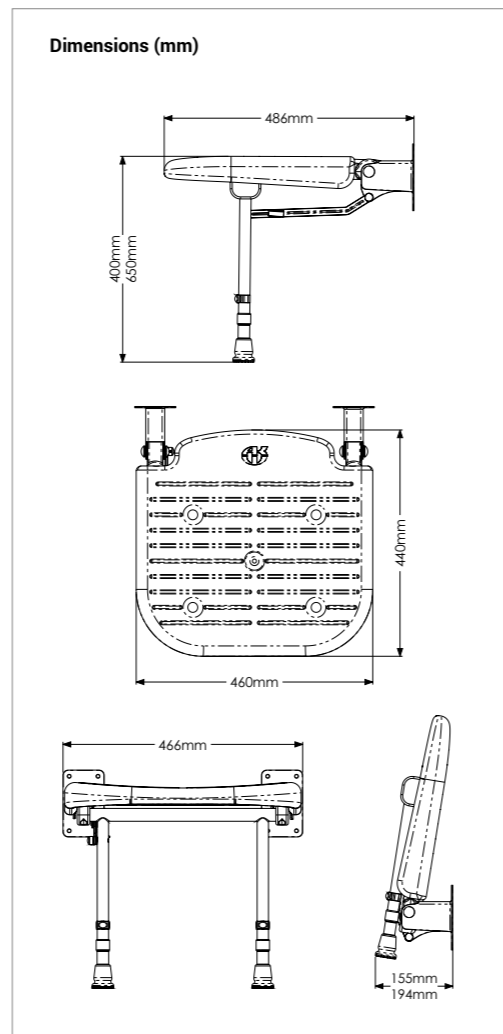
4000 Series shower seats have been designed to accommodate a variety of individual needs, with options including backrests, padded arms and adjustable legs.

Features & Benefits

- + Designed in consultation with occupational therapists, end users and installers to accommodate a variety of individual needs
- + Adjustable for comfort, at the point of installation, to accommodate clients' needs, with seat heights of between 390–640mm (provided by two sets of leg height supplied as standard)
- + Sturdy design, carries weight up to 40 stone / 254kg
- + +/- 13mm fine adjustment to foot or support leg to allow for gradient in floor to optimise comfort on a level seating
- + Unique and innovative design will give years of trouble-free service
- + Made from rust-proof stainless steel ensures durability for long-term use
- + Available in white, or high-contrast colour options, in grey or blue padded seat for users with visual impairment

Product Codes

Standard Shower Seat White	04070
Standard Shower Seat Blue Padded	04070P
Standard Shower Seat Grey Padded	04270P
Spare Seat Cushion Blue	04170
Spare Seat Cushion Grey	04270
Spare leg kit for all 4000 Series	00080
4000 series leg repair kit	00080/2



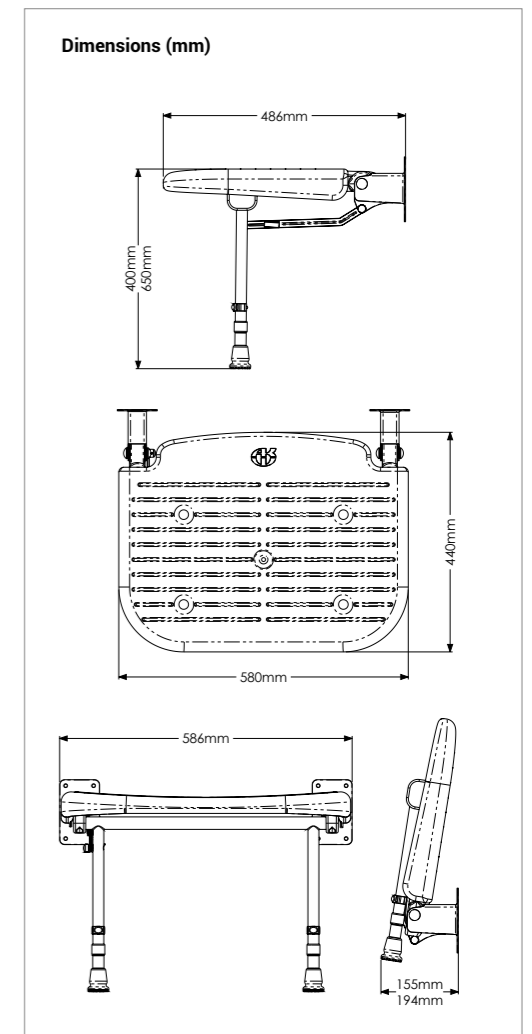
4000 Series Extra-Wide Fold-Up Shower Seat – 40 Stone Stainless Steel

Features & Benefits

- + Designed in consultation with occupational therapists, end users and installers to accommodate a variety of individual needs
- + Adjustable for comfort, at the point of installation, to accommodate clients' needs, with seat heights of between 390–640mm (provided by two sets of leg height supplied as standard)
- + Carries weight up to 40 stone / 254kg
- + +/- 13mm fine adjustment to foot or support leg to allow for gradient in floor to optimise comfort on a level seating
- + Unique and innovative design will give years of trouble-free service
- + Made from rust-proof stainless steel ensures durability for long-term use
- + Available in white, or high-contrast colour options, in grey or blue padded seat for users with visual impairment
- + Seat pad provides additional comfort for bariatric users
- + Sturdy design allows for side transfer from either side

Product Codes

580 Wide Shower Seat White	04110
580 Wide Shower Seat Blue Padded	04110P
580 Wide Shower Seat Grey Padded	04210P
580 Wide Spare Seat Cushion Blue	04175
580 Wide Spare Seat Cushion Grey	04275
Spare leg kit for all 4000 Series	00080
4000 series leg repair kit	00080/2



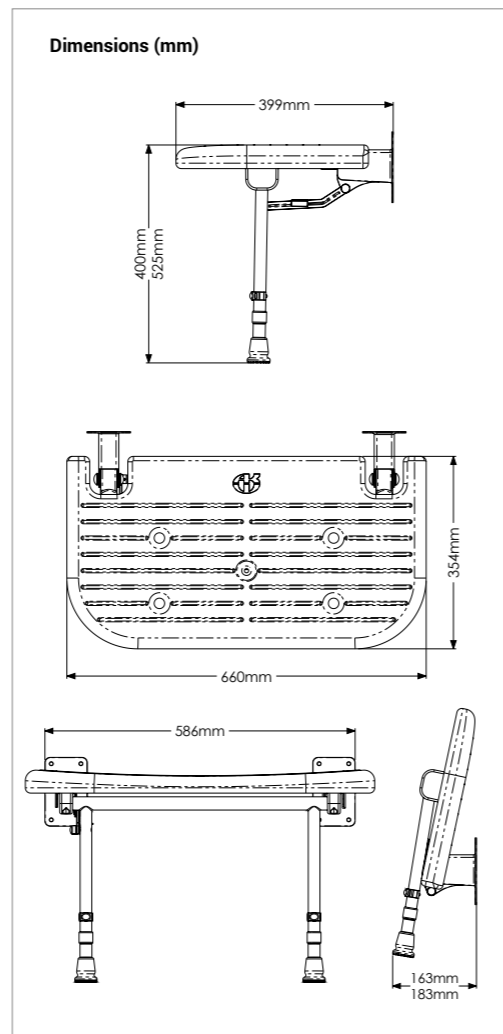
4000 Series Large Extra Wide Fold-Up Shower Seat – 50 Stone Stainless Steel

Features & Benefits

- + Specifically designed to offer choice to larger clients for extra comfort, space and support
- + Sturdy design, carries weight limit up to 50 stone / 317.5kg
- + Adjustable for comfort, at the point of installation, to accommodate clients' needs, with seat heights of between 390–640mm (provided by two sets of leg height supplied as standard)
- + +/- 13mm fine adjustment to foot or support leg to allow for gradient in floor to optimise comfort on a level seating
- + Unique and innovative design will give years of trouble-free service
- + Made from rust-proof stainless steel ensures durability for long-term use
- + Available in white, or high-contrast colour options, in grey or blue padded seat for users with visual impairment
- + Lifetime guarantee provides peace of mind
- + Seat pad provides additional comfort for bariatric users

Product Codes

660 Wide Shower Seat White	04570
660 Wide Shower Seat Blue Padded	04580P
660 Wide Shower Seat Grey Padded	04570P
660 Wide Spare Seat Cushion Blue	04585
660 Wide Spare Seat Cushion Grey	04575
Spare leg kit for all 4000 Series	00080
4000 series leg repair kit	00080/2



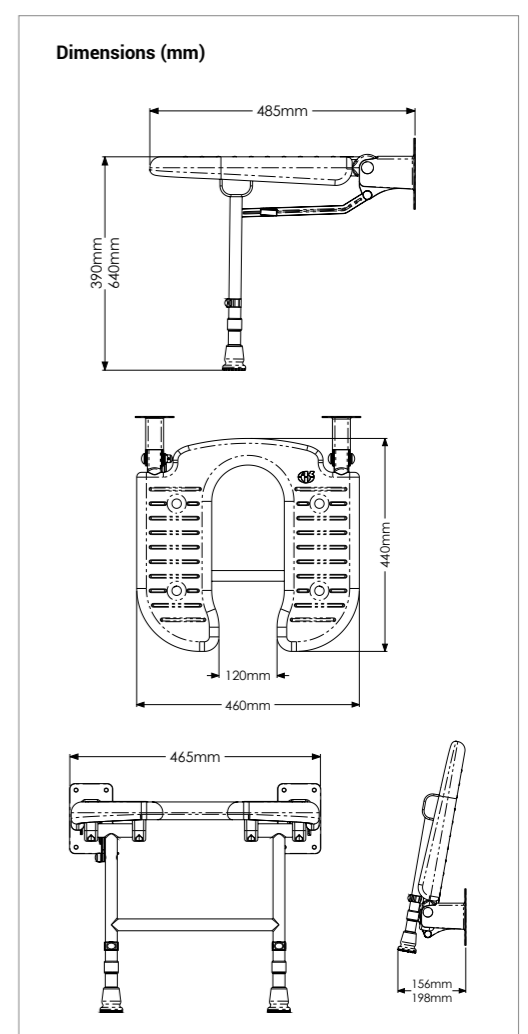
4000 Series Standard Horseshoe Fold-Up Shower Seat – 40 Stone Stainless Steel

Features & Benefits

- + Designed in consultation with occupational therapists, end users and installers to accommodate a variety of individual needs
- + Adjustable for comfort, at the point of installation, to accommodate clients' needs, with seat heights of between 390–640mm (provided by two sets of leg height supplied as standard)
- + Carries weight up to 40 stone / 254kg
- + +/- 13mm fine adjustment to foot or support leg to allow for gradient in floor to optimise comfort on a level seating
- + Unique and innovative design will give years of trouble-free service
- + Made from rust-proof stainless steel ensures durability for long-term use
- + Available in white, or high-contrast colour options, in grey or blue padded seat for users with visual impairment
- + Lifetime guarantee provides peace of mind

Product Codes

Horseshoe Shower Seat White	04100
Horseshoe Shower Seat Blue Padded	04100P
Horseshoe Shower Seat Grey Padded	04200P
Spare Horseshoe Seat Cushion Blue	04180
Spare Horseshoe Seat Cushion Grey	04280
Spare leg kit for all 4000 Series	00080
4000 series leg repair kit	00080/2



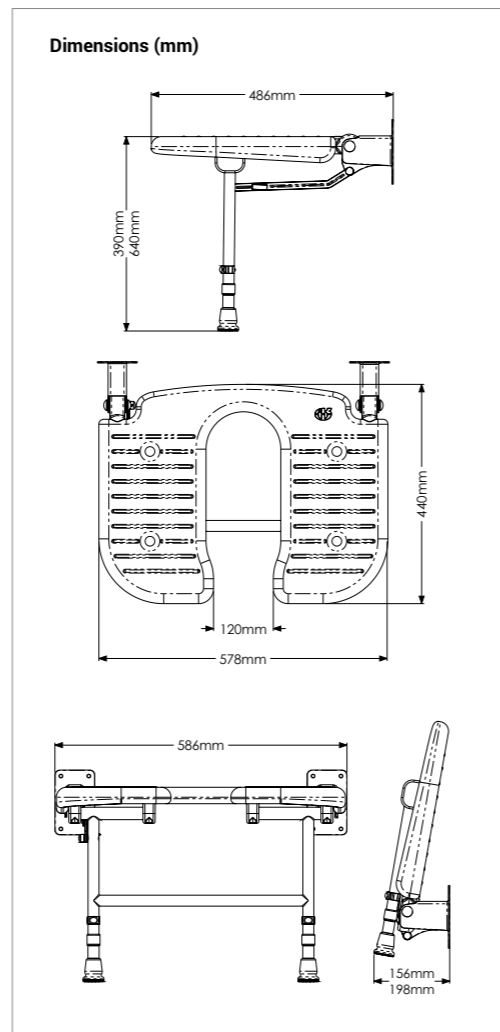
4000 Series Extra Wide Horseshoe Fold-Up Shower Seat – 40 Stone Stainless Steel

Features & Benefits

- + Designed in consultation with occupational therapists, end users and installers to accommodate a variety of individual needs
- + Adjustable for comfort, at the point of installation, to accommodate clients' needs, with seat heights of between 390–640mm (provided by two sets of leg height supplied as standard)
- + Carries weight up to 40 stone / 254kg
- + +/- 13mm fine adjustment to foot or support leg to allow for gradient in floor to optimise comfort on a level seating
- + Unique and innovative design will give years of trouble-free service
- + Made from rust-proof stainless steel ensures durability for long-term use
- + Available in white, or high-contrast colour options, in grey or blue padded seat for users with visual impairment
- + Lifetime guarantee provides peace of mind

Product Codes

Wide Horseshoe Shower Seat White	04120
Wide Horseshoe Shower Seat Blue Padded	04120P
Wide Horseshoe Shower Seat Grey Padded	04220P
Spare Horseshoe Seat Cushion Blue	04185
Spare Horseshoe Seat Cushion Grey	04285
Spare leg kit for all 4000 Series	00080
4000 series leg repair kit	00080/2



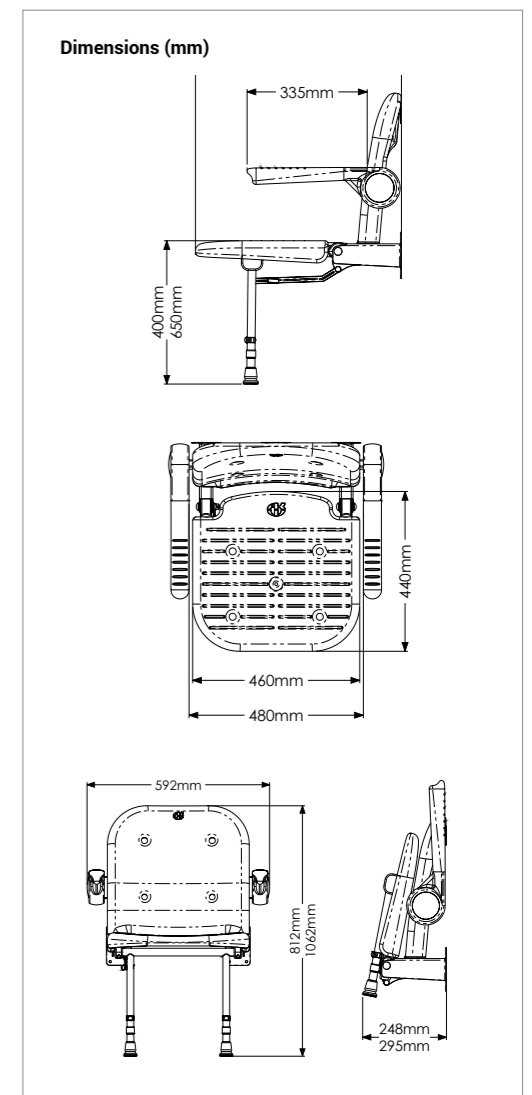
4000 Series Standard Fold-Up Shower Seat with Back and Arms – 40 Stone Stainless Steel

Features & Benefits

- + Uniquely and innovatively designed in consultation with occupational therapists, end users and installers to accommodate a variety of individual needs
- + Independent folding arms make it suitable for side transfers
- + Adjustable for comfort, at the point of installation, to accommodate clients' needs, with seat heights of between 390–640mm (provided by two sets of leg height supplied as standard)
- + Carries weight up to 40 stone / 254kg
- + +/- 13mm fine adjustment to foot or support leg to allow for gradient in floor to optimise comfort on a level seating
- + Unique and innovative design will give years of trouble-free service
- + Made from rust-proof stainless steel ensures durability for long-term use
- + Available in white, with grey/blue arms and a grey or blue padded back/seat - contrasting blue colour aiding the visually impaired
- + Seat pads offers additional comfort and can be easily removed for cleaning
- + Seat lugs prevent the cushion from moving during side transfer providing reassurance for the user
- + Lifetime guarantee provides peace of mind

Product Codes

White Standard Shower Seat with Blue Arms	04130
White Standard Shower Seat with Grey Arms	04230
Blue Padded Standard Shower Seat (with Blue Arms)	04130P
Grey Padded Standard Shower Seat (with Grey Arms)	04230P
Spare Seat Back Blue	04190
Spare Seat Back Grey	04290
Spare Seat Cushion Blue	04170
Spare Seat Cushion Grey	04270
Spare leg kit for all 4000 Series	00080
4000 series leg repair kit	00080/2



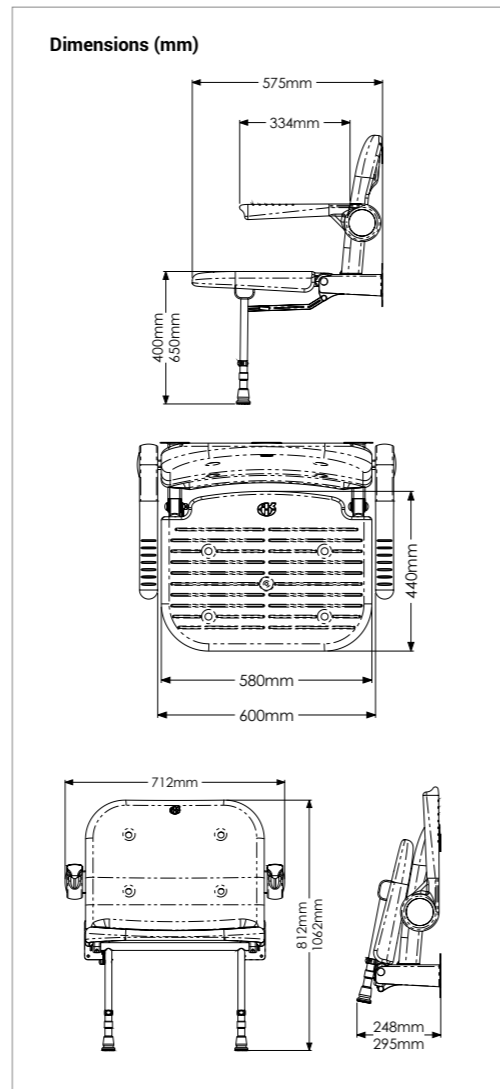
4000 Series Extra Wide Fold-Up Shower Seat with Back and Arms – 40 Stone Stainless Steel

Features & Benefits

- + Uniquely and innovatively designed in consultation with occupational therapists, end users and installers to accommodate a variety of individual needs
- + Independent folding arms make it suitable for side transfers
- + Adjustable for comfort, at the point of installation, to accommodate clients' needs, with seat heights of between 390–640mm (provided by two sets of leg height supplied as standard)
- + Carries weight up to 40 stone / 254kg
- + +/- 13mm fine adjustment to foot or support leg to allow for gradient in floor to optimise comfort on a level seating
- + Unique and innovative design will give years of trouble-free service
- + Made from rust-proof stainless steel ensures durability for long-term use
- + Available in white, with grey/blue arms and a grey or blue padded back/seat - contrasting blue colour aiding the visually impaired
- + Seat pads offers additional comfort and can be easily removed for cleaning
- + Seat lugs prevent the cushion from moving during side transfer providing reassurance for the user
- + Lifetime guarantee provides peace of mind

Product Codes

White Wide Shower Seat with Blue Arms	04140
White Wide Shower Seat with Grey Arms	04240
Blue Padded Wide Shower Seat (with Blue Arms)	04140P
Grey Padded Wide Shower Seat (with Grey Arms)	04240P
Spare Seat Back Blue	04195
Spare Seat Back Grey	04295
Spare Seat Cushion Blue	04175
Spare Seat Cushion Grey	04275
Spare leg kit for all 4000 Series	00080
4000 series leg repair kit	00080/2



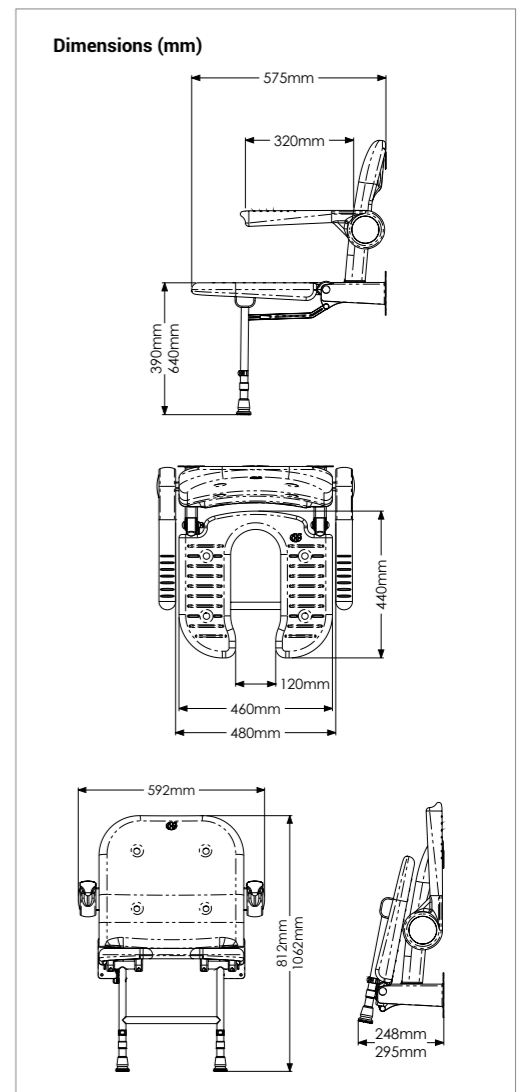
4000 Series Standard Horseshoe Fold-Up Shower Seat with Back and Arms – 40 Stone Stainless Steel

Features & Benefits

- + Uniquely and innovatively designed in consultation with occupational therapists, end users and installers to accommodate a variety of individual needs
- + Independent folding arms make it suitable for side transfers
- + Adjustable for comfort, at the point of installation, to accommodate clients' needs, with seat heights of between 390–640mm (provided by two sets of leg height supplied as standard)
- + Carries weight up to 40 stone / 254kg
- + +/- 13mm fine adjustment to foot or support leg to allow for gradient in floor to optimise comfort on a level seating
- + Unique and innovative design will give years of trouble-free service
- + Made from rust-proof stainless steel ensures durability for long-term use
- + Available in white, with grey/blue arms and a grey or blue padded back/seat - contrasting blue colour aiding the visually impaired
- + Seat pads offers additional comfort and can be easily removed for cleaning
- + Seat lugs prevent the cushion from moving during side transfer providing reassurance for the user
- + Lifetime guarantee provides peace of mind

Product Codes

White Horseshoe Shower Seat with Blue Arms	04160
White Horseshoe Shower Seat with Grey Arms	04260
Blue Padded Horseshoe Shower Seat (with Blue Arms)	04160P
Grey Padded Horseshoe Shower Seat (with Grey Arms)	04260P
Spare Horseshoe Seat Cushion Blue	04180
Spare Horseshoe Seat Cushion Grey	04280
Spare leg kit for all 4000 Series	00080
4000 series leg repair kit	00080/2



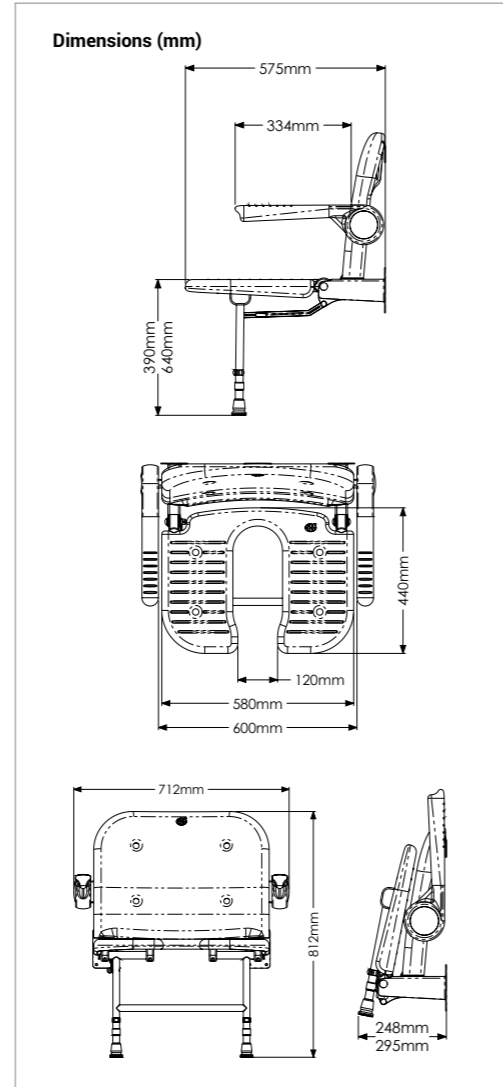
4000 Series Extra Wide Horseshoe Fold-Up Shower Seat with Back and Arms – 40 Stone Stainless Steel

Features & Benefits

- + Uniquely and innovatively designed in consultation with occupational therapists, end users and installers to accommodate a variety of individual needs
- + Independent folding arms make it suitable for side transfers
- + Adjustable for comfort, at the point of installation, to accommodate clients' needs, with seat heights of between 390–640mm (provided by two sets of leg height supplied as standard)
- + Carries weight up to 40 stone / 254kg
- + +/- 13mm fine adjustment to foot or support leg to allow for gradient in floor to optimise comfort on a level seating
- + Unique and innovative design will give years of trouble-free service
- + Made from rust-proof stainless steel ensures durability for long-term use
- + Available in white, with grey arms and a grey padded back/ seat
- + Seat pads offers additional comfort and can be easily removed for cleaning
- + Seat lugs prevent the cushion from moving during side transfer providing reassurance for the user
- + Lifetime guarantee provides peace of mind

Product Codes

Grey Padded Wide Horseshoe Shower Seat (with Grey Arms)	04250P
Spare Horseshoe Seat Cushion Grey	04285
Spare leg kit for all 4000 Series	00080
4000 series leg repair kit	00080/2



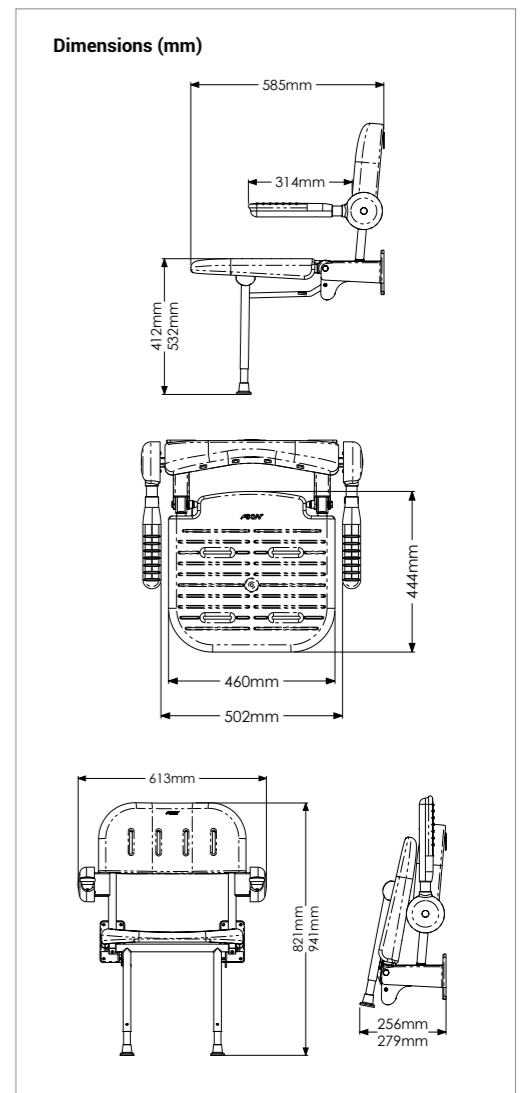
3000 Series Standard Shower Seat – 30 Stone

Features & Benefits

- + +/- 13mm fine adjustment to support leg to allow for gradient in floor to optimise comfort on a level seating
- + Adjustable for comfort, at the point of installation, to accommodate clients' needs, with seat heights of between 450mm – 625mm
- + Soft-feel polyurethane seat and back padding for added comfort
- + Seat pads can easily be removed for cleaning
- + Seat lugs prevent the cushion from moving during side transfer providing reassurance for the user
- + Shrouded hinges minimise the risk of finger trapping for both user and carer
- + Soft-feel padding will not absorb water even if cut or damaged
- + Two mounting brackets provides superior wall fixing
- + Made from powder-coated, aluminium and stainless steel
- + Available with or without seat and back padding
- + For users up to 30 stone / 190kg
- + Only available with grey seat and back pads

Product Codes

White seat/Grey arms	03131
Padded Grey seat/Grey arms	03131P
Spare back pad for 3000 series seat	03132
Spare seat pad for 3000 series seat	03133
Spare arm set for 3000 series seat	03134
1000 and 3000 series seat leg kit	18-002-084



2000 Series Compact Fold-Up Shower Seat – 25 Stone Aluminium

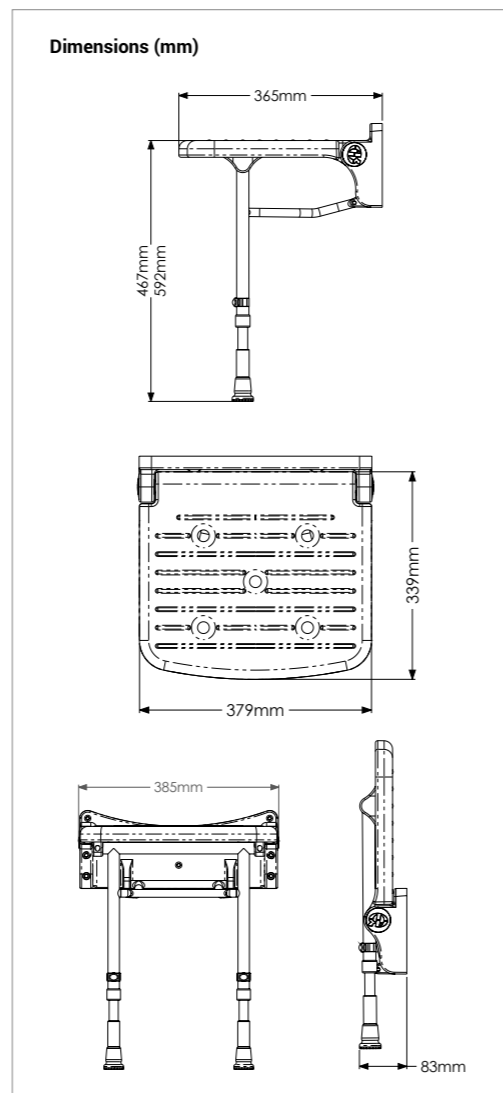
2000 Series shower seats are carefully designed, comfortable and rust-proof. The compact option is designed for smaller enclosures, where space is limited.

Features & Benefits

- + Made from rust-proof aluminium ensures durability for long-term use
- + Compact size, suitable for small enclosures where space is limited
- + Adjustable for comfort, at the point of installation, to accommodate clients' needs, with seat heights of between 482mm -607mm
- + +/- 13mm fine adjustment to support leg to allow for gradient in floor to optimise comfort on a level seating
- + Available in white, with an optional grey or blue padded seat for additional comfort, with contrasting blue colour aiding the visually impaired
- + Accommodates a maximum load capacity of 25 stone / 158kg

Product Codes

Compact Shower Seat White	02000
Compact Shower Seat Blue Padded	02200P
Compact Shower Seat Grey Padded	02000P
Spare Seat Cushion Blue	02015
Spare Seat Cushion Grey	02215
2000 Series Seat Adjustable Leg	02012



2000 Series Standard Fold-Up Shower Seat – 25 Stone Aluminium

Features & Benefits

- + Made from rust-proof aluminium ensures durability for long-term use
- + Adjustable for comfort, at the point of installation, to accommodate clients' needs, with seat heights of between 482mm -607mm
- + +/- 13mm fine adjustment to support leg to allow for gradient in floor to optimise comfort on a level seating
- + Available in white, with an optional grey or blue padded seat for additional comfort, with contrasting blue colour aiding the visually impaired
- + Accommodates a maximum load capacity of 25 stone / 158kg

Product Codes

Standard Shower Seat White	02010
Standard Shower Seat Blue Padded	02210P
Standard Shower Seat Grey Padded	02010P
Spare Seat Cushion Blue	02011
Spare Seat Cushion Grey	02211
2000 Series Seat Adjustable Leg	02012

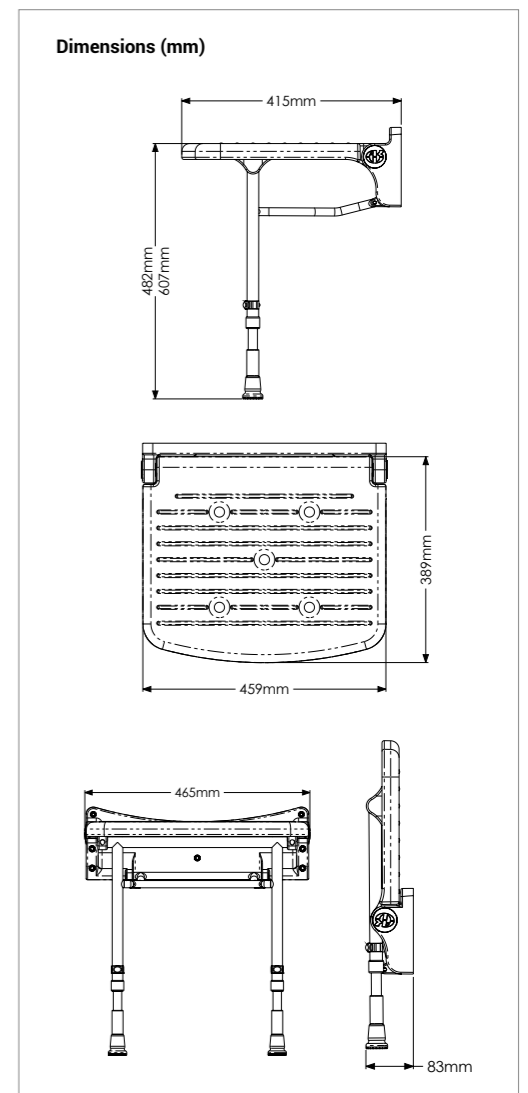
Leg kits

- + The new short leg kit for the 2000 series takes the seat down to 428mm (04-024-069)
- + The new long leg kit for the 2000 series allows the seat to be raised to 685mm (04-024-066)
- + Both have 125mm of adjustment in 25mm increments



Please note:

2000 Series seats are not supplied with an extra pair of legs. The seat cushion is 15mm thick



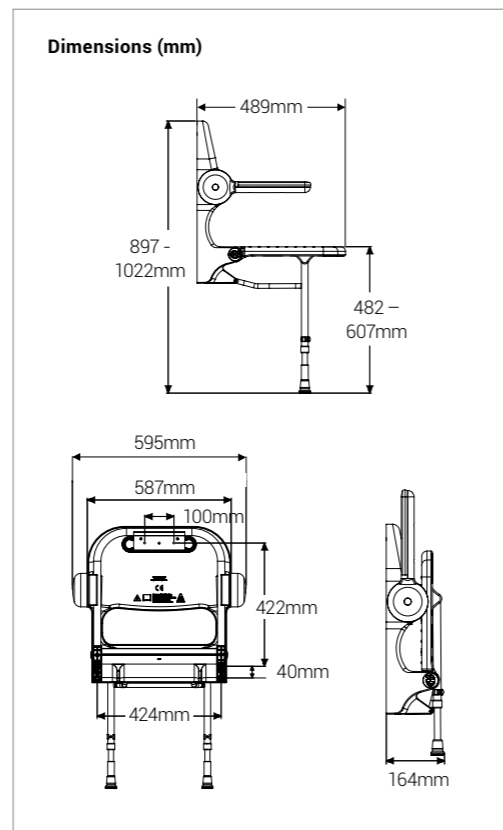
2000 Series Standard Fold-Up Shower Seat with Back and Arms – 25 Stone Aluminium

Features & Benefits

- + Made from rust-proof aluminium ensures durability for long-term use
- + Adjustable for comfort, at the point of installation, to accommodate clients' needs, with seat heights of between 482mm -607mm
- + +/- 13mm fine adjustment to support leg to allow for gradient in floor to optimise comfort on a level seating
- + Available in white, with an optional grey or blue padded seat for additional comfort, with contrasting blue colour aiding the visually impaired
- + Accommodates a maximum load capacity of 25 stone / 158kg

Product Codes

White Standard Shower Seat with Grey Arms	02130
White Standard Shower Seat with Blue Arms	02230
White Standard Shower Seat (with Grey Arms and Back)	02130P
White Standard Shower Seat (with Mid-Grey Arms and Back)	02132P
White Standard Shower Seat (with Blue Arms and Back)	02230P
Spare Seat Cushion Blue	02011
Spare Seat Cushion Grey	02211
Spare Back Cushion Blue	02212
Spare Back Cushion Grey	02112
2000 Series Seat Adjustable Leg	02012



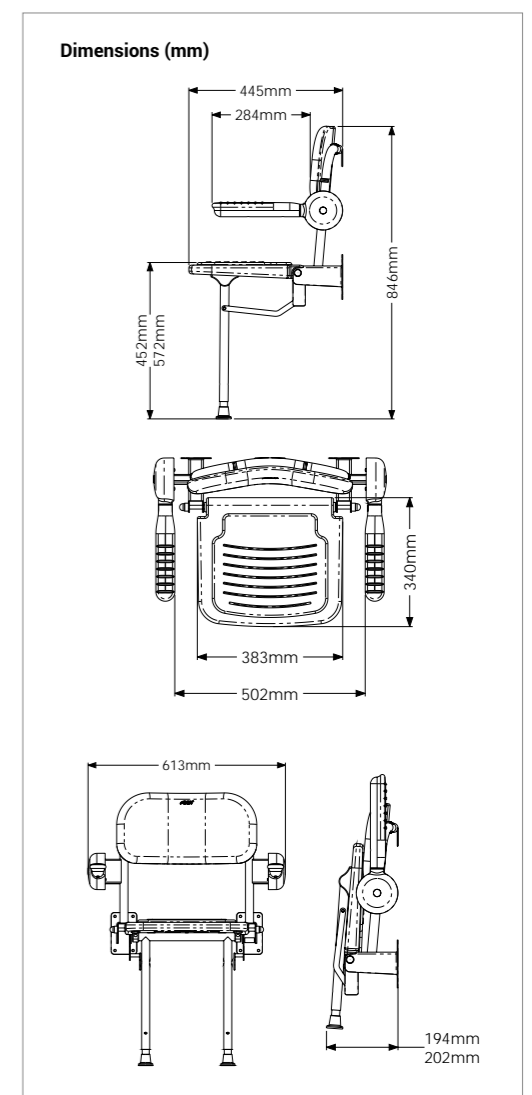
1000 Series Standard Shower Seat with Back and Arms – 25 Stone Mild Steel

Features & Benefits

- + Adjustable for comfort, at the point of installation, to accommodate clients' needs, with seat heights of between 450mm – 625mm
- + +/- 13mm fine adjustment to support leg to allow for gradient in floor to optimise comfort on a level seating
- + Available in grey or blue padded back and seat for additional comfort, with high colour contrast aiding the visually impaired
- + Soft-feel polyurethane seat and back padding for added comfort
- + Seat pads can easily be removed for cleaning
- + Seat lugs prevent the cushion from moving during side transfer providing reassurance for the user
- + Shrouded hinges minimise the risk of finger trapping for both user and carer
- + Soft-feel padding will not absorb water even if cut or damaged
- + Two mounting brackets provides superior wall fixing
- + Made from powder-coated, mild steel
- + For users up to 25 stone / 158kg

Product Codes

Padded Grey seat/Grey arms	01122
Padded Blue seat/Blue arms	01123
Spare arm, back and seat pad kit – Grey	01112
Spare arm, back and seat pad kit – Blue	01113
1000 and 3000 series seat leg kit	18-002-084



Onyx Fold-up Shower Seats – 31 Stone

Features & Benefits

- + Minimalistic, contemporary design offers a discreet non-obtrusive look
- + Ergonomic seat with matt finish provides comfort and looks stylish
- + For users up to 31 stone, 6lb / 200kg
- + Water draining slot prevents water from pooling on the seat improving stability, skin safety and overall comfort
- + Single fold-down leg with soft-close function is easy to operate with minimum effort
- + Easy installation for a quick adaptation
- + Low maintenance, simple to clean
- + New seat option with adjustable leg greater flexibility when installing seat at a user specific height
- + Lifetime warranty
- + Unsuitable for use with acrylic trays

Product Codes

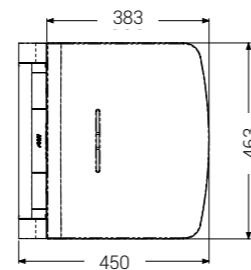
Onyx Compact Fold-up Shower Seat White	02802WH-LS
Onyx Compact Fold-up Shower Seat Black	02802BK-LS
Onyx Fold-up Shower Seat – Black	02801BK-LS
Onyx Fold-up Shower Seat – White	02801WH-LS
Onyx Shower Seat with Adjustable Leg – White	02810WH-LS
Onyx Shower Seat with Adjustable Leg – Black	02810BK-LS

Specifications

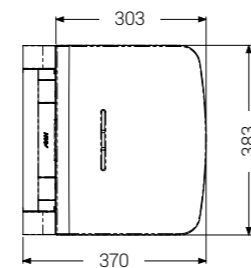
Seat Height: 470mm / 480mm
 Projection raised: 84mm / 86mm



Dimensions (mm)



Onyx Fold-Up shower Seat



Onyx Compact Fold-Up shower Seat



Onyx Seat, Back and Arms – 31 stone

From the Onyx range of contemporary mobility aids, shower trays, and bathroom accessories, the Onyx Seat Back and Arms is a natural extension of the Onyx shower seat range.

Featuring a comfortable back rest and two fold-up support arms which can be independently installed to suit the users' requirements, the Onyx Seat Back and Arms is available in cool white or bold black, with stylish chrome accents.

Onyx Seat, Seat Back and Arms are conveniently available as a kit but can also be purchased separately.

Features & Benefits

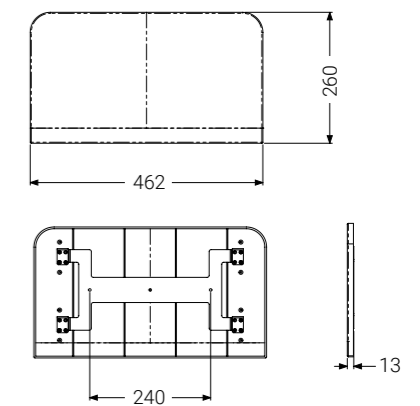
- + Minimalist aesthetics, designed in-house by AKW.
- + Available in two contemporary colours: White and Black
- + Arms and back rest are fitted independently, allowing positioning to be tailored to the user's preference.
- + Comfortable back rest prevents users from experiencing the cold feeling of tiles or wall panels against their back.
- + Designed to withstand everyday use with multiple safe and secure fixing points, and durable construction materials.
- + Ergonomic, shaped seat designed for comfort, with a water drainage slot to aid with quick drying.
- + Arm rests offer improved stability when lowering and rising from a shower seat.
- + Fold-up arm rests and seat help to save space when not in use and are beneficial in multi-user environments.
- + Fold-up seat with soft-close function.
- + Easy to clean and maintain.

Product Codes

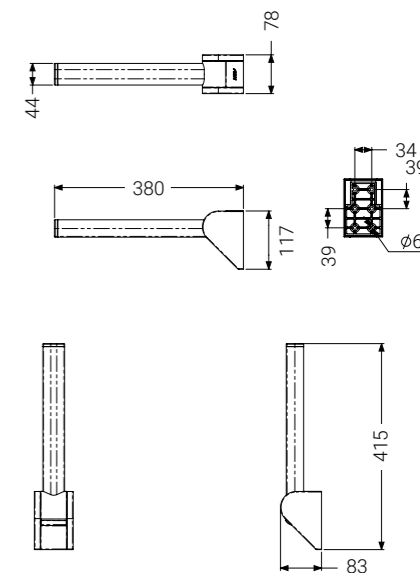
Shower Seat with Back and Arms – White	02803WH-LS
Shower Seat with Back and Arms – Black	02803BK-LS
Shower Seat (Adjustable Leg) with Back and Arms – White	02811WH-LS
Shower Seat (Adjustable Leg) with Back and Arms – Black	02811BK-LS
Compact Shower Seat with Back and Arms – White	02804WH-LS
Compact Shower Seat with Back and Arms – Black	02804BK-LS
Onyx seat back and arms only – white	02820WH-LS
Onyx seat back and arms only – black	02801BK-LS



Dimensions (mm)



Onyx Seat Back and Arms – Back Rest



Onyx Seat Back and Arms – Arm Rests





Bama Slatted Fold-Up Shower Seat – 31 Stone

Features & Benefits

- + Stylish, hygienic, easy to clean and folds neatly away
- + Handles for easier side transfer
- + Curved raised slats allow water run-off to drain
- + Rounded corners with no sharp edges prevents injury
- + For users up to: 31 st 6lb / 200kg
- + Made from ABS (plastic), nylon and epoxy coated stainless steel tube ensures longevity
- + Stainless steel legs ensure long life
- + Seven white or slate grey removable slats for easy cleaning
- + Colour options offer user choice
- + Four strong fixing points for secure installation provides peace of mind
- + Seat height: 480mm +/- 15mm (adjustable legs to ensure level seating)
- + Width: 490mm, Depth: 409mm

Product Codes

Bama Slatted Fold-Up Shower Seat - White	02020MW-LS
Bama Slatted Fold-Up Shower Seat - Grey	02020MG-LS



Bama Slatted Hanging Shower Seat – 23 Stone

A shower seat which can be hung on a grab rail. Supports up to 23st 8lb (150kg), providing easy to install seated safety in the shower area and stylish design.

Features & Benefits

- + Safe showering whilst seated
- + Stylish, hygienic and easy to clean
- + Easy to install and remove for use in multi-user bathrooms
- + Curved raised slats allow water run-off to drain
- + Rounded corners with no sharp edges prevents injury
- + Shower seat can be hung on straight smooth grab rails (32mm diameter) with suitable load
- + Bearing and locked in place
- + Foam sleeve for hooks protects the grab rail from damage
- + Made from ABS (plastic), nylon and epoxy coated stainless steel tube
- + Easy locking system to secure seat to grab rail for peace of mind
- + Maximum load capacity: 23st 8lb (150kg)
- + Back frame foot adjustment 25mm
- + Width: 387mm, Height: 390mm, Depth: 514mm
- + Mounts onto an AKW Heavy Duty 1900 Series grab rail (See [page 338](#))



Product Code

Bama Hanging Shower Seat White

02021WH

Freestanding Shower Stool – 20 stone

Features & Benefits

- + Plasticised PVC suction feet provide added stability and security
- + Adjustable aluminium legs, makes it suitable for a variety of users
- + Supplied flat-packed in kit form easy to assemble at home
- + Drain holes allow the stool to dry easily after use
- + Designed for strength and durability
- + Can be easily moved in multi-user environments
- + Width: 500mm Depth: 300mm Height: 350-500mm
- + Tested to a maximum load of 20 stone / 127kg



Product Code

Freestanding Shower Stool

02300



Freestanding Shower Stool with Back – 20 stone

Features & Benefits

- + Back rest provides extra support and comfort
- + Plasticised PVC suction feet provide added stability and security
- + Adjustable aluminium legs, makes it suitable for a variety of users
- + Supplied flat-packed in kit form easy to assemble at home
- + Drain holes allow the stool to dry easily after use
- + Designed for strength and durability
- + Can be easily moved in multi-user environments
- + Width: 500mm Depth: 300mm Height: 350-500mm
- + Tested to a maximum load of 20 stone / 127kg



Product Code

Freestanding Shower Stool with Back

02310



Wooden Slatted Fold-Up Seat with Support Legs – 40 Stone Stainless Steel

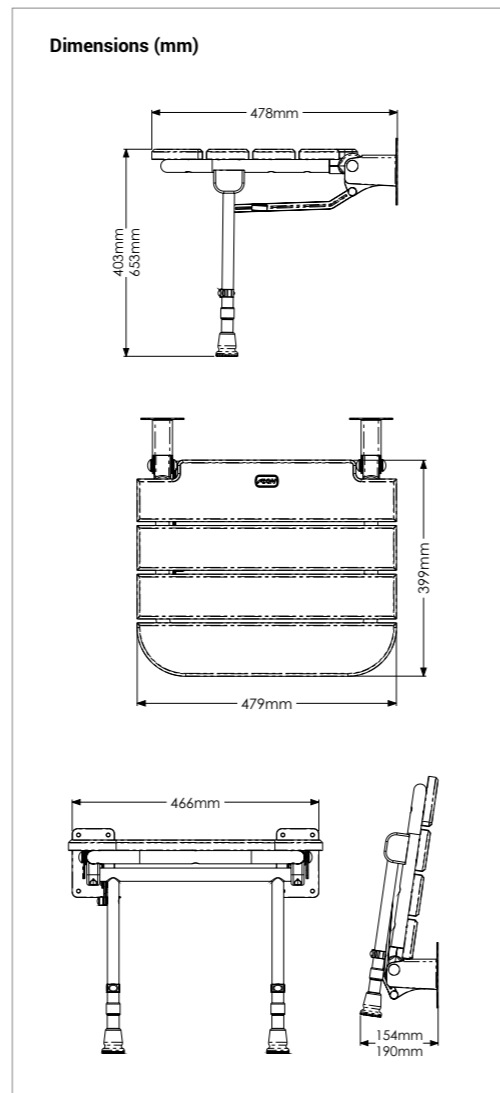
Features & Benefits

- + Made from ecologically friendly rubberwood (dense grain)
- + Very stable with minimal shrinkage ensures durability for long-term use
- + Offers a modern, contemporary design
- + Profiled edges are varnished to give greater comfort and durability
- + Slats allow the seat to dry easily after use
- + Framework and legs made from rust-proof stainless steel for longevity
- + Designed to accommodate a variety of individual needs
- + Leg adjustment at installation accommodates floor gradient within the immediate showering area to provide level seating
- + Lifetime guarantee provides peace of mind
- + Seat height adjustment: 390-640mm
- + Width: 442mm, Depth: 478mm
- + For users up to 40 stone / 254kg in weight

Product Code

Wooden Slatted Fold-Up Seat

04030



Wooden Shower Stool – 40 Stone

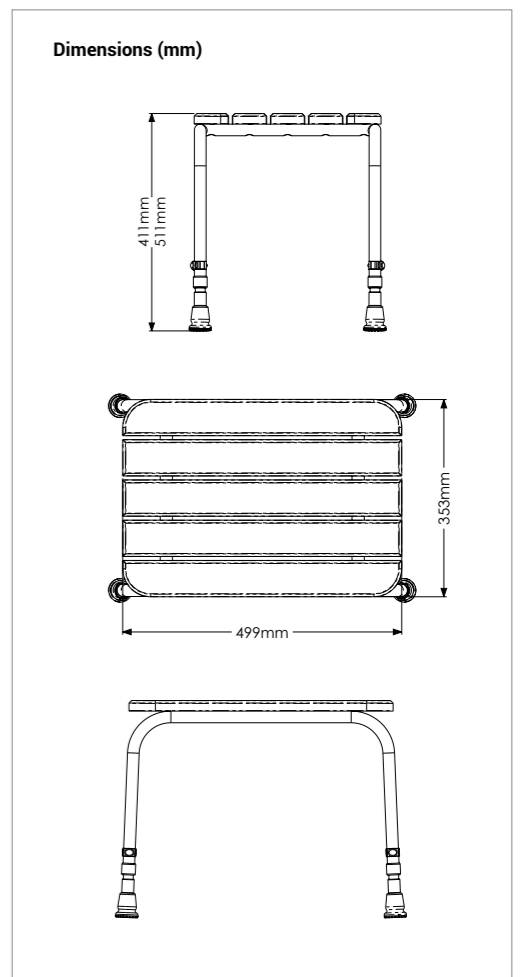
Features & Benefits

- + Made from ecologically friendly rubberwood (dense grain)
- + Very stable with minimal shrinkage ensures durability for long-term use
- + Offers a modern, contemporary design
- + Profiled edges are varnished to give greater comfort and durability
- + Slats allow the seat to dry easily after use
- + Framework and legs made from rust-proof stainless steel for longevity
- + Designed to accommodate a variety of individual needs
- + Lifetime guarantee provides peace of mind
- + Tested to BS EN 15373:2007
- + Adjustable legs allow 25mm increments between 410mm and 535mm
- + Width: 555mm Depth: 372mm
- + For users up to 40 stone / 254kg in weight

Product Code

Wooden Shower Stool

05080





Mobility Ramps

AKW supply a range of mobility ramps to provide solutions to a variety of access needs.

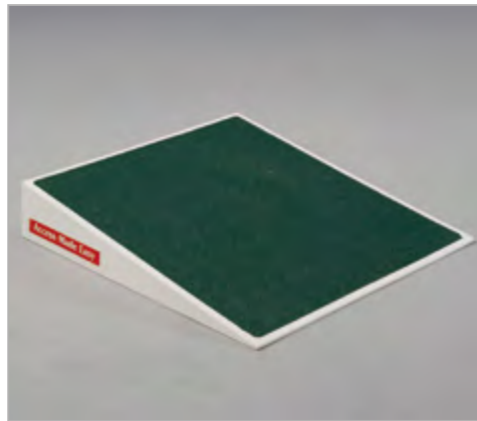
Also see [Onyx Rubber Threshold Ramps](#) on page 254

Threshold Ramp

Threshold ramps are available in two heights: 3 inch (76mm) and 6 inch (152mm) high.

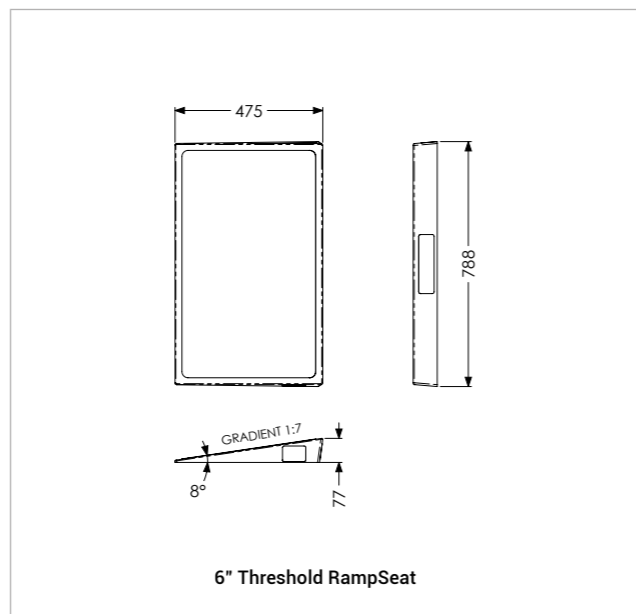
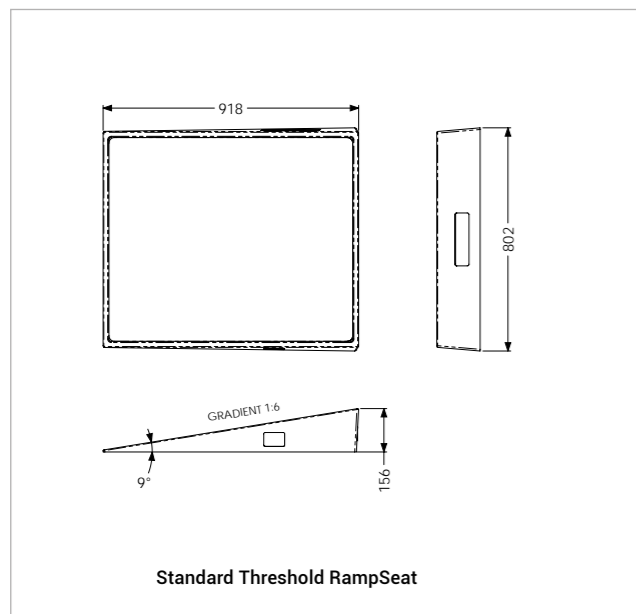
Features & Benefits

- + Offers a simple and versatile solution for everyday use
- + Moving and carrying ramp to accommodate needs is easy thanks to the use of lightweight materials
- + Constructed from glass reinforced plastic (GRP) with smooth moulded side upstands and corners
- + Ramp surface provides colour contrast for those with visual impairment
- + Designed with user safety in mind to ensure ease of use and help to avoid slips, trips and fall
- + Meets DDA requirements with a safe and conforming gradient
- + Durable materials ensure the longevity of the product, which is also backed by a lifetime guarantee
- + Strong weight capacity of 47st / 300kg ensures ramp is suitable for a wide range of user requirements
- + Available in two heights: 3 inch (76mm) and 6 inch (152mm)



Product Codes

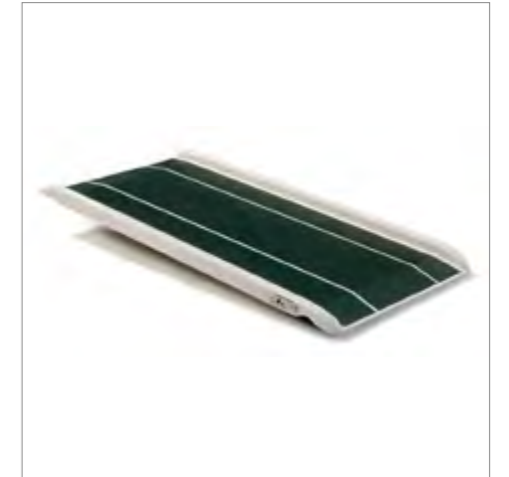
3" Threshold Ramp	25064
6" Threshold Ramp	25065



Standard Access Ramp

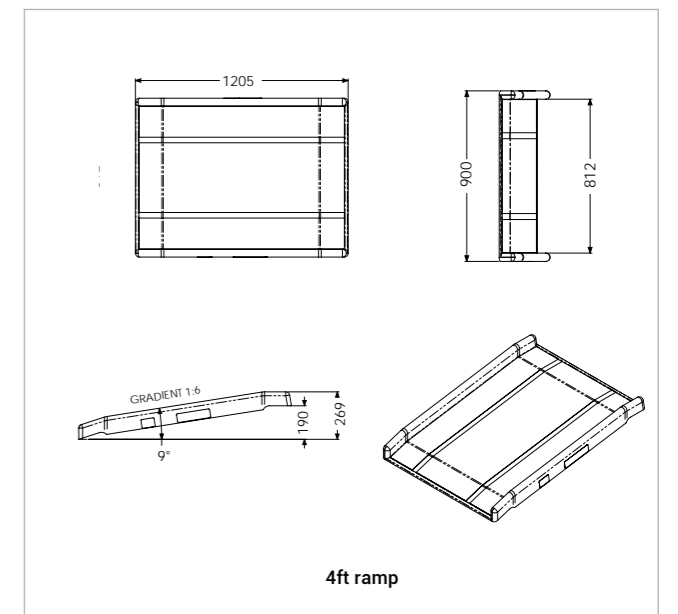
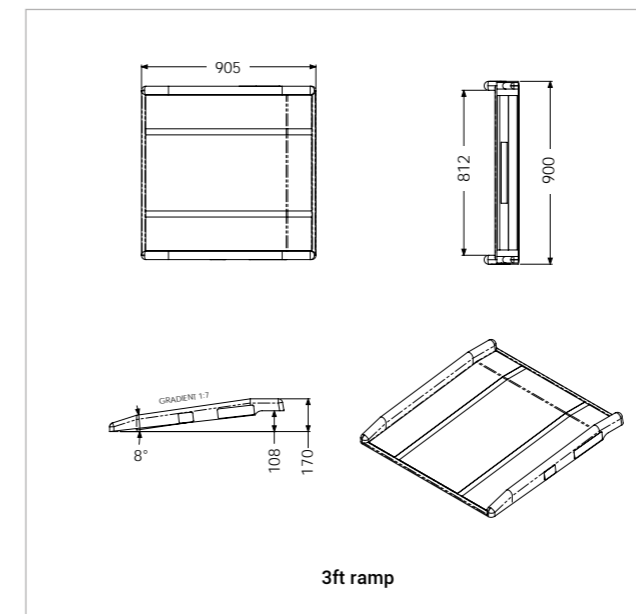
Features & Benefits

- + Offers a simple and versatile solution for everyday use
- + Constructed from glass reinforced plastic (GRP) with smooth moulded side upstands and corners
- + Designed to prevent damage to upholstery/vehicles when in use, being removed and stored away
- + Ramp surface provides colour contrast for those with visual impairment
- + Designed with user safety in mind to ensure ease of use and help to avoid slips, trips and fall
- + Meets DDA requirements with a safe and conforming gradient
- + Durable materials ensure the longevity of the product, which is also backed by a lifetime guarantee
- + Strong weight capacity of 47st / 300kg ensures ramp is suitable for a wide range of user requirements
- + Available in two lengths: 3ft or 4ft
- + Weight: 9kg (3ft) and 14kg (4ft)



Product Codes

Standard Access Ramp 3ft	25051
Standard Access Ramp 4ft	25052





Baths and Bath Accessories



Baths and Bath Accessories	391
Steel single ended bath	392
Bath panels	394
Bath shower screens	396
Bath shower kits	398
Bath taps	400
Tilted Mirror with Handle	406

BATHS

You may also need:

Showers 265	Wall Panels 299	Tiles & Accessories 315	Safety Flooring 323
Mobility Support 331	Bathroom Furniture 519	Plumbing Fittings 549	



Baths and Bath Accessories

At AKW, we've developed a wide range of everyday bathroom products that are not only designed to be practical and long-lasting, but contemporary in their aesthetic too – without breaking the bank.

Steel Single Ended Bath

Sturdy and rigid, our single ended white steel bath range is manufactured from durable, high quality steel with a white enamel finish and comes in three lengths. It is supplied with a lifetime guarantee. It includes two pre-drilled tap holes and also features anti-slip properties which is beneficial if showering over the bath or in high use environments.

Features & Benefits

- + Finished in a brilliant white
- + Bath comes with two pre-drilled tap holes
- + Can be cleaned regularly without affecting the finish
- + Made from enameled steel (1.8mm)
- + Can be fitted left or right-handed
- + Etched anti-slip dot pattern covers half of the base
- + Matches other sanitaryware and gives the illusion of more space
- + Saves time and money as you do not have to cut out the tap holes
- + Easy maintenance and hygiene
- + Flexibility with your installation as can be fitted on the left or right in your bathroom
- + The etched anti-slip dot pattern aids in the prevention of accidents when showering over the bath or in high use environments
- + The etched anti-slip dot pattern ensures maximum comfort when bathing



Excludes damage, wear & tear and limescale



BS EN232
BS EN1390
BS EN14516

Product Specifications

Available in three sizes: 1500 x 700mm / 1600 x 700mm / 1700 x 700mm

1.8mm thick (standard gauge 1.5mm pressed steel and 0.3mm enamel)

Two pre-drilled tap holes

Single ended

Plumbing fittings, taps and bath panels can be ordered separately

Maximum weight in bath – 250kg / 39st (including water)

Installed height: 505mm – 590mm (85mm adjustment on the bath legs)

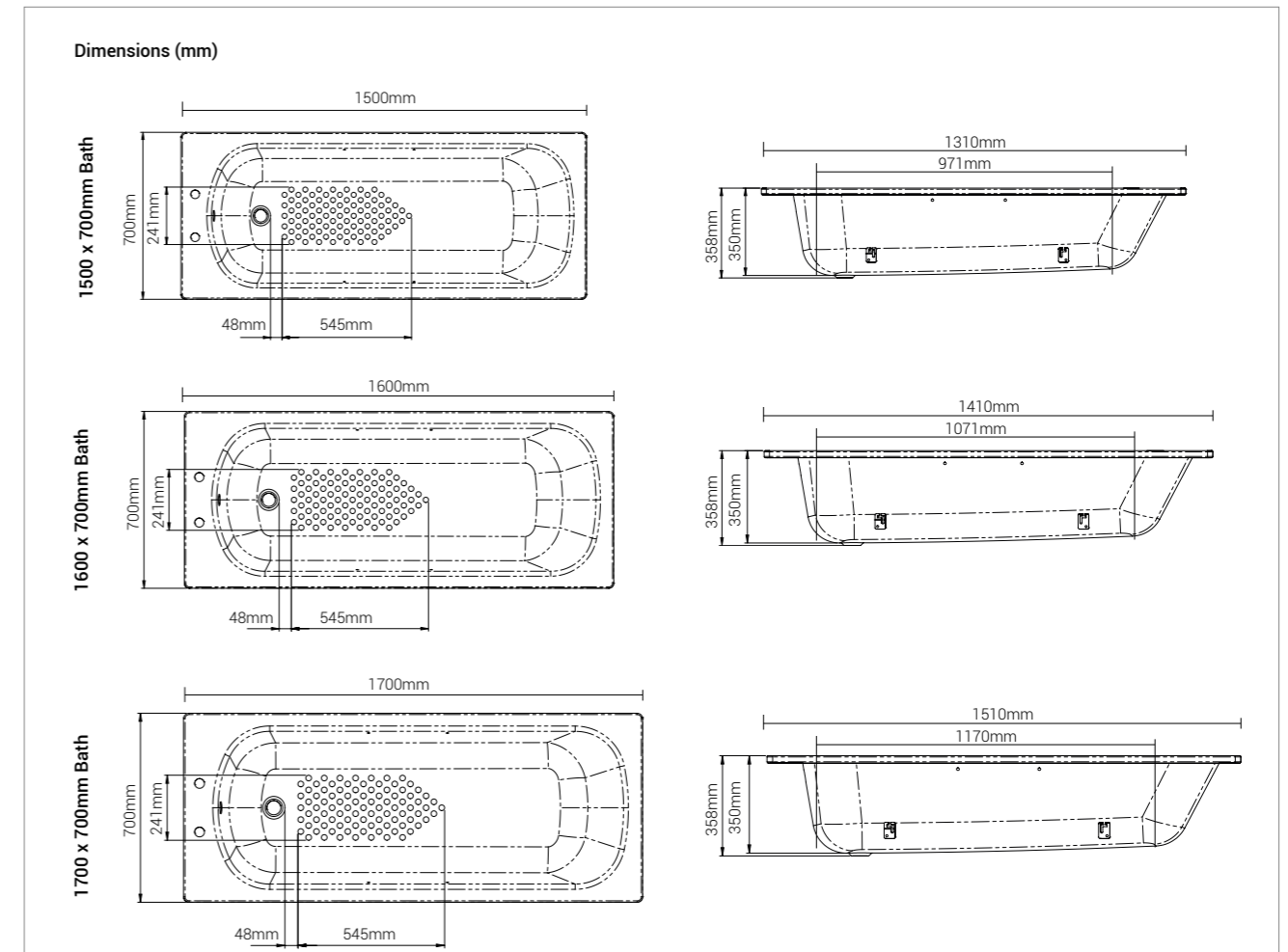
Supplied with legs, handles, plug/chain, waste and overflow

Capacity to overflow: 126l (1500 x 700mm) / 145 litres (1600 x 700mm) / 150l (1700 x 700mm)

Weight of bath: 24kg (1500 x 700mm) / 24.5kg (1600 x 700mm) / 26kg (1700 x 700mm)

Product Codes

1700 x 700mm Steel Bath and Kit	30842
1700 x 700mm Steel Bathtub and Kit x 5	30842X5
1700 x 700mm Steel Bathtub and Kit x 20	30842X20
1600 x 700mm Steel Bath and Kit	30843
1600 x 700mm Steel Bath and Kit x 5	30843X5
1600 x 700mm Steel Bath and Kit x 20	30843X20
1500 x 700mm Steel Bath and Kit	30844
1500 x 700mm Steel Bath and Kit x 5	30844X5
1500 x 700mm Steel Bath and Kit x 20	30844X20
Bath Kit (legs, handles, plug/chain waste & overflow)	30812
Bath Leg Assembly	30803
Bath Handle Kit	30810
Bath Plug/Chain Waste & Overflow Kit	30811
McAlpine Seal Bath Trap 38mm x 50mm SM10	30851
McAlpine Seal Bath Trap 19mm x 38mm Q10	30852



Bath Panels

Sturdy and rigid, our single ended white steel bath range is manufactured from durable, high quality steel with a white enamel finish and comes in three lengths. It is supplied with a lifetime guarantee. It includes two pre-drilled tap holes and also features anti-slip properties which is beneficial if showering over the bath or in high use environments.



Features & Benefits

PVC Bath Panel

- + Flat white in colour
- + Available in two lengths – 1700mm and 700mm
- + Suitable to be used for bath height of 510mm
- + PVC panels can be used with a bath panel corner trim (available separately) which gives a seamless finish when fitting two panels together
- + Easy to install
- + Water resistant

Acrylic Single Skin Bath Panel

- + White shiny rolled finish
- + Available in two lengths - 1700mm and 700mm
- + Suitable to be used for bath height of 510mm
- + Durable finish does not show scratches and scuffs easily
- + Easy to install, with some flexibility to panel
- + Water resistant

Acrylic Double Skin Bath Panel

- + Shiny white rolled finish
- + Available in two lengths - 1700mm and 700mm
- + Suitable to be used for bath height of 510mm
- + Durable finish does not show scratches and scuffs easily
- + Easy to install, with some flexibility to panel
- + Water resistant
- + Reinforced construction provides additional rigidity and longevity



Excludes damage, wear & tear and limescale



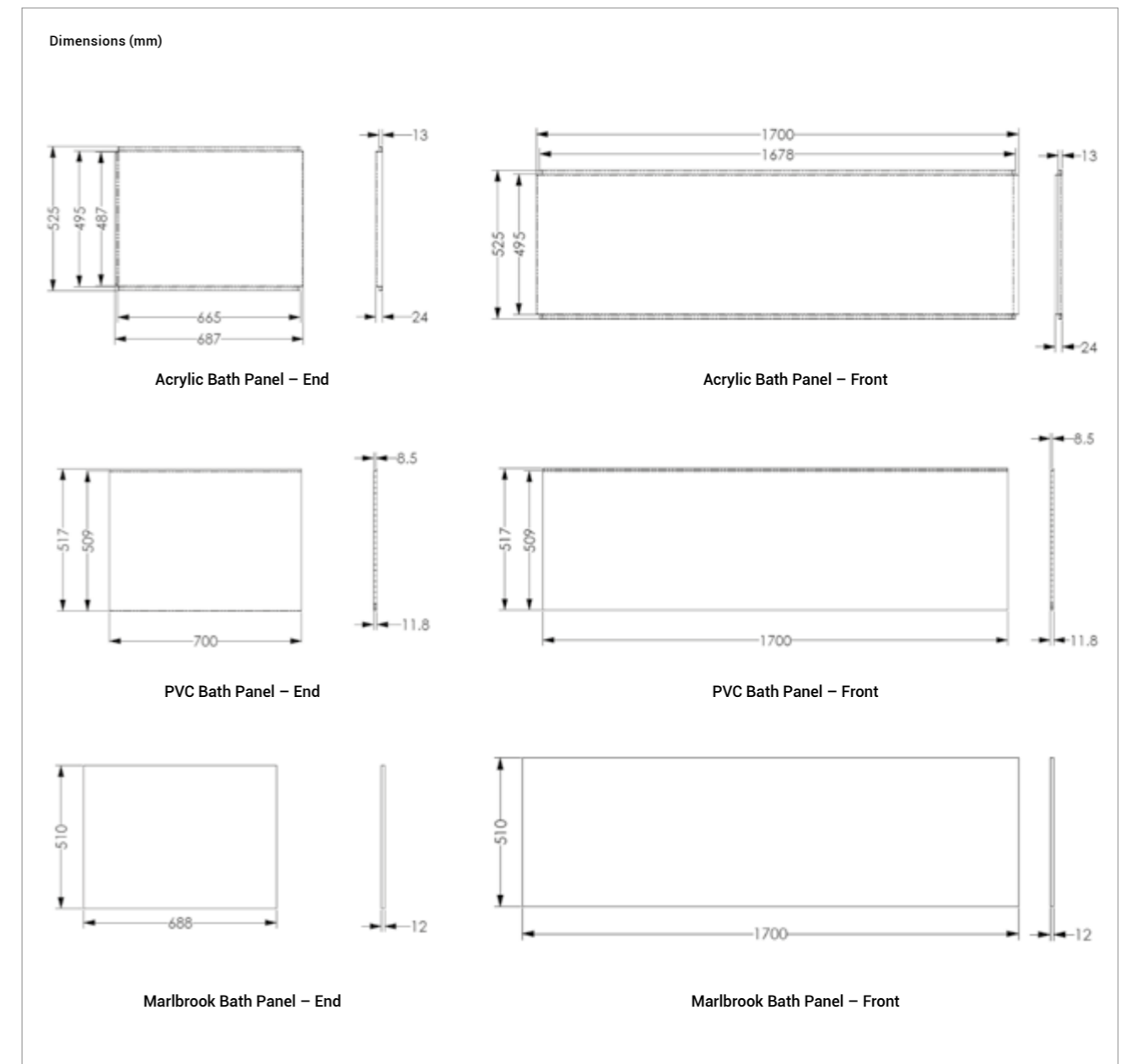
BS EN232
BS EN1390
BS EN14516

Marlbrook Bath Panel

- + Marlbrook panels match Marlbrook gloss white wallboard
- + Solid reinforced plywood construction with the highest quality finish
- + Available in two lengths - 1700mm and 700mm
- + Suitable to be used for bath height of 510mm
- + Easy to trim and install
- + Water resistant
- + Marlbrook panels can be used with a bath panel corner trim (available separately) which gives a seamless finish when fitting two panels together

Product Codes

PVC White Gloss Front Bath Panel 1700mm	30828
PVC White Gloss End Bath Panel 700mm	30830
PVC White Gloss End Bath Panel 700mm & Corner Trim	30845
Acrylic Bath Panel Single Skin 1700mm	30831
Acrylic End Panel Single Skin 700mm	30832
Acrylic Bath Panel Double Skin 1700mm	30833
Acrylic End Panel Double Skin 700mm	30834
Marlbrook White Gloss Front Bath Panel 1700mm	30835
Marlbrook White Gloss End Bath Panel 700mm	30836
Marlbrook Gloss White End Bath Panel 700mm & corner trim	30846
Bath Panel Corner Trim*	30813



Bath Shower Screens

If you are looking to install a shower over a bath, a screen is a necessity. AKW glass bath screens are a stylish and practical solution to aid water retention within the showering area.

There are three sizes available, with a smooth curved top finish, and both hinged and fixed options.

Features & Benefits

- + Polished chrome wall profile (40 x 44mm)
- + 6mm clear toughened safety glass
- + 15mm wall profile adjustment
- + Rubber bottom seal supplied with hinged screens only: fixed screens will need to be sealed with a waterproof sealant
- + Non-handed, can be installed for either left or right-handed operation
- + Hinged screens can rotate inwards and outwards to 110°
- + Stylish and modern design to complement a wide variety of bathroom interiors
- + Lightweight for ease of operation on hinged screens
- + Aids with water retention within the showering area
- + Non-handed for additional flexibility when installing
- + Durable hinges swing 110° inwards and outwards to aid users when entering and exiting the bath area, as well as when cleaning



Specifications

6mm thick toughened glass – Tested to EN14428

Polished chrome wall profile (40 x 44mm)

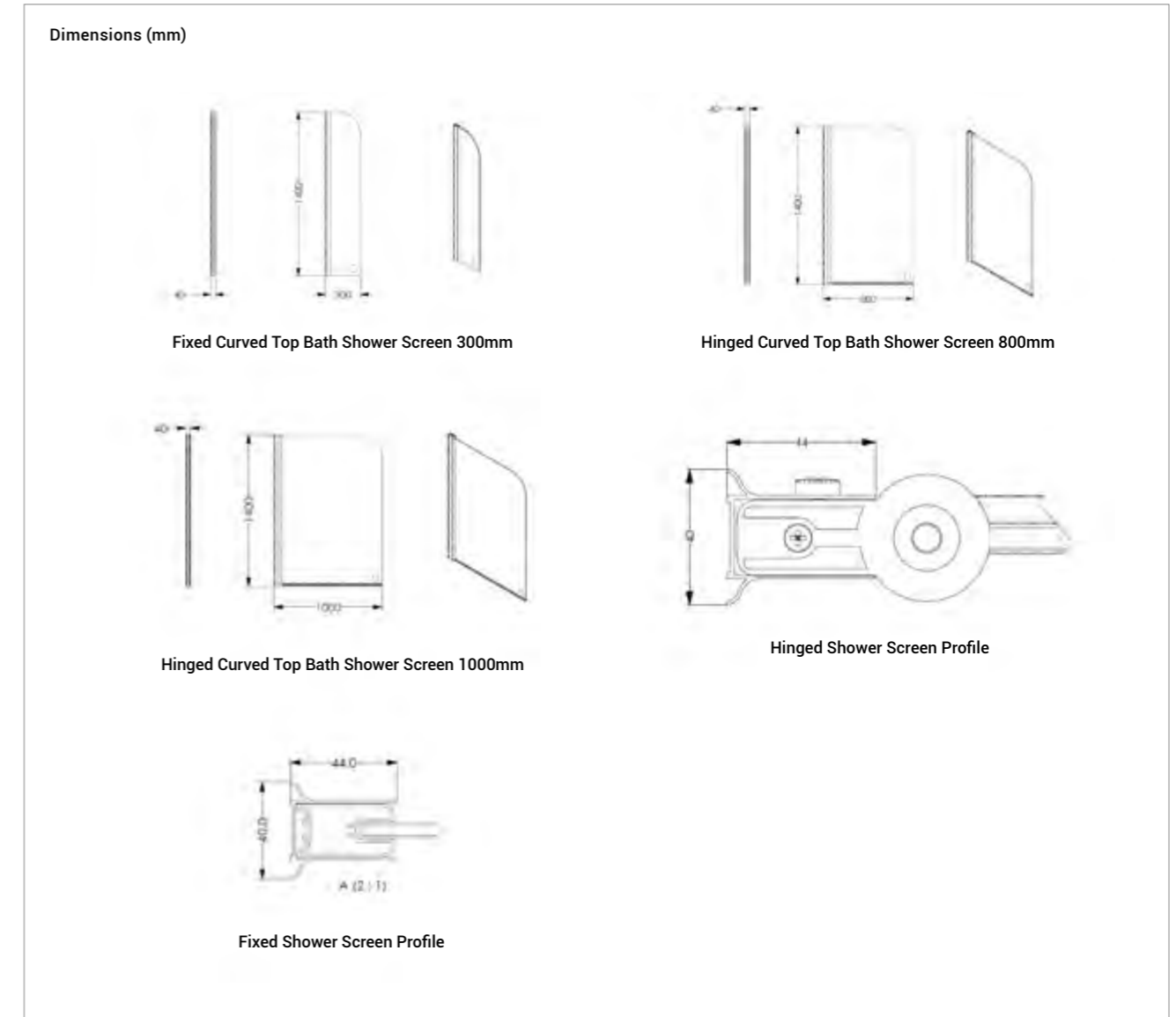
Hinged screens can rotate inwards and outwards to 110°

Wall profile has 15mm tolerance for adjustment

Wall fittings supplied with each screen

Product Codes

Fixed Curved Top Bath Shower Screen 300mm H 1400mm / W 300mm / D 6mm	30804
Hinged Curved Top Bath Shower Screen 800mm H 1400mm / W 800mm / D 6mm	30805
Hinged Curved Top Bath Shower Screen 1000mm H 1400mm / W 1000mm / D 6mm	30806



Bath Shower Kits

If you need a shower above the bath we provide a choice of four shower kits, which can be used with our range of bath mixer taps.

Features and Benefits

AKW Basic Shower Kit (no rail) 1.5m Hose

- + Practical one and half metre, chrome coiled shower hose, suitable for use when showering, bathing or cleaning
- + Easy-to-use, removable shower head with three adjustable spray patterns
- + Chrome wall bracket can be installed at a user specific height for use when showering



AKW Standard Shower Kit (with rail) 1.5m Hose

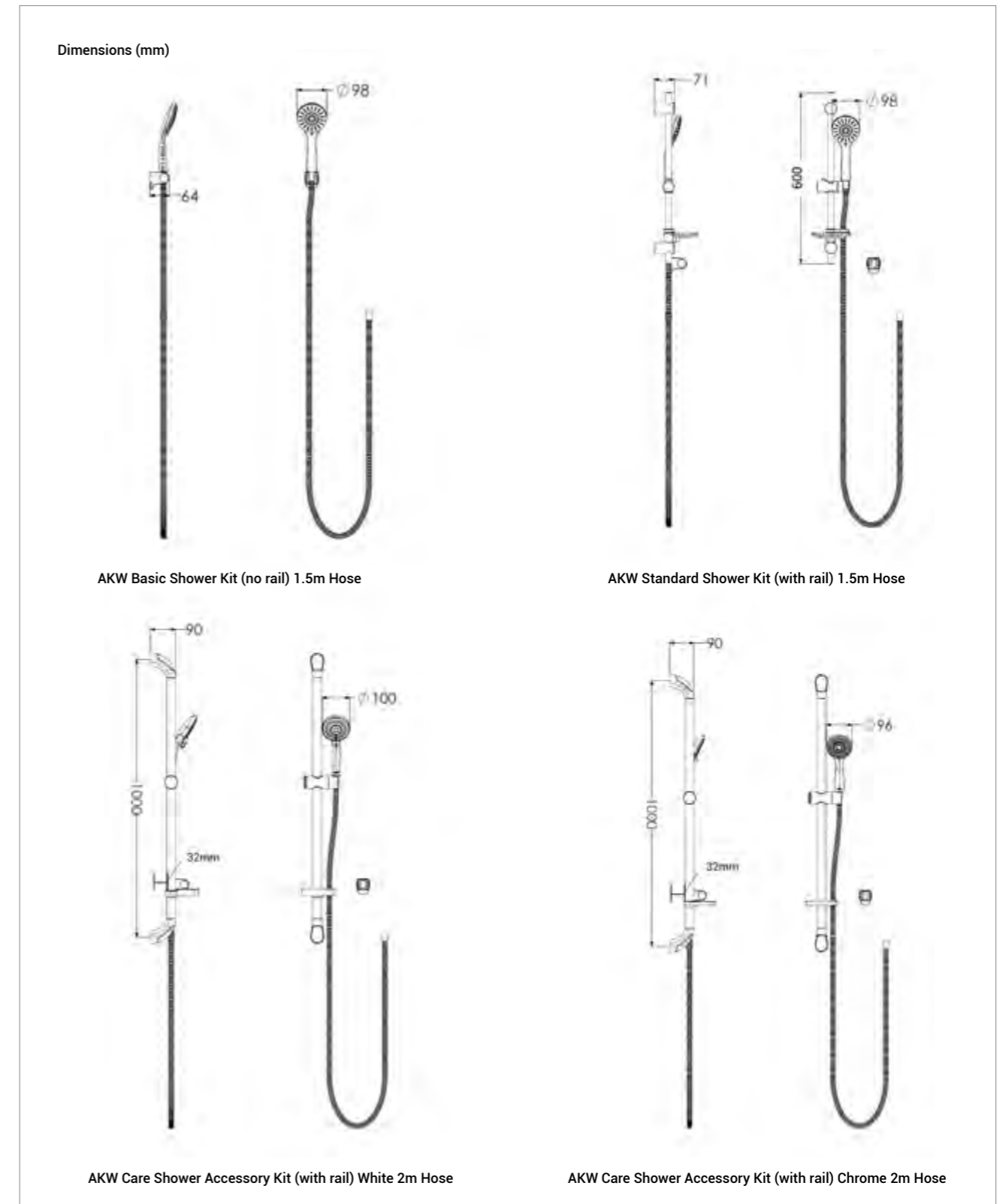
- + Practical one and half metre, chrome coiled shower hose, suitable for use when showering, bathing or cleaning
- + Easy-to-use, removable shower head with three adjustable spray patterns
- + Chrome wall bracket can be installed at a user specific height for use when showering
- + Integral shower hose retainer helps to prevent shower head being dropped and contaminated/damaged
- + Adjustable, chrome riser provides extra stability and flexibility when showering, allowing you to easily amend the height of the shower head
- + Soap dish, rail slider and fixings included

AKW Care Shower Accessory Kit (with rail) White or Chrome 2m

- + Durable and practical two metre, double interlock, chrome shower hose, suitable for use when showering, bathing or cleaning
- + Easy-to-use, removable shower head with three adjustable spray patterns
- + Chrome wall bracket can be installed at a user specific height for use when showering
- + Adjustable riser provides extra stability and flexibility when showering, allowing you to easily amend the height of the shower head
- + Riser rail offers additional user safety, with a load-bearing capacity of 150kg, to aid in the prevention of accidents
- + Integral shower hose retainer helps to prevent shower head being dropped and contaminated/damaged
- + Soap dish, rail slider and fixings included
- + White kit includes white shower head, rail and soap dish and Chrome kit includes chrome shower head, rail and clear soap dish

Product Codes

AKW Basic Shower Kit (no rail) 1.5m Hose	30819
AKW Standard Shower Kit (with rail) 1.5m Hose	30820
AKW Care Shower Accessory Kit (with rail) White 2m Hose	30312WH
AKW Care Shower Accessory Kit (with rail) Chrome 2m Hose	30317CH

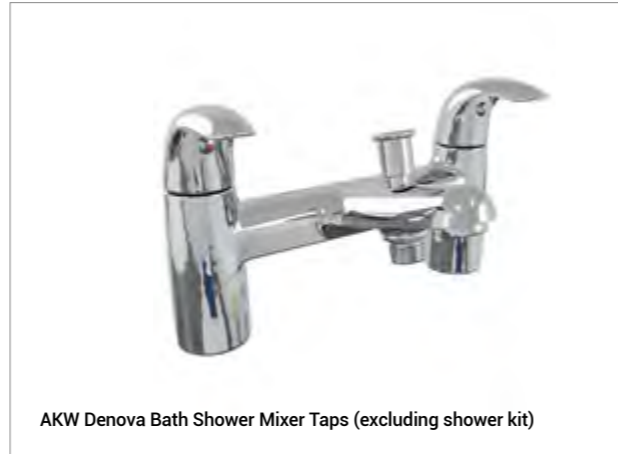


AKW Denova® Bath Lever and Mixer Tap

The AKW Denova brassware range is a sleek and modern choice for the bathroom. In a varied range of styles to complement any scheme.

Features and Benefits

- + Easy to use handles
- + WRAS approved
- + Water saving with flow limiter included
- + Clicker waste included with all basin mixers
- + Suitable for all systems
- + Streamlined stylish design handle
- + Easy to use
- + Lifetime guarantee
- + Four options
- + Clear hot/cold markings



Product Codes

AKW Denova Lever Bath Taps (Pair) **30814**

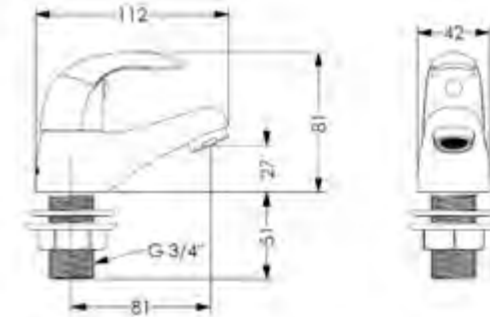
AKW Denova Bath Shower Mixer Taps (excluding shower kit) **30816**

Specifications

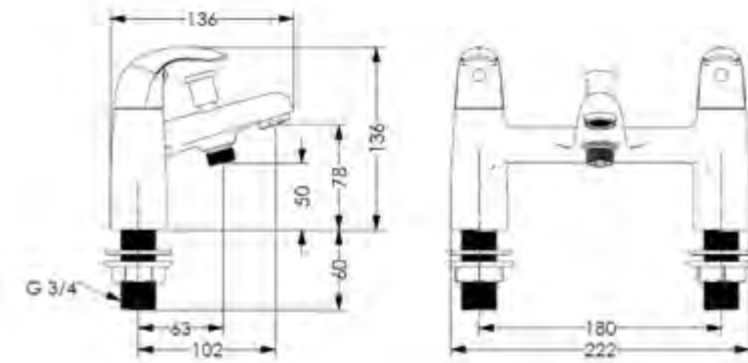
- Zinc handle
- Brass body
- Quarter turn headwork
- Flow regulator
- Diverter
- Compatible with AKW Bath Shower Kits

For matching Denova Basin taps, see Brassware section starting on page 481

Dimensions (mm)



AKW Denova Lever Bath Taps Dimensions



AKW Denova Bath Shower Mixer Taps Dimensions

Peg Lever Thermostatic Bath Shower Mixer Taps

Stylish chrome-plated peg lever basin taps with thermostatic bath shower mixer tap, also with a peg lever design, offers a classic yet contemporary finish to any bathroom suite.

Features & Benefits

Peg Lever Basin Taps

- + Classic design
- + Polished chrome finish
- + Engineered for long life and service
- + Easy to service and maintain
- + Peg levers make it simple to operate

Thermostatic Peg Lever Bath Shower Mixer Tap (excluding kit)

- + Classic design
- + Polished chrome finish
- + Engineered for long life and service
- + Easy to service and maintain
- + Peg levers make it simple to operate: water flow and temperature are controlled individually
- + Can maintain temperature, even if other taps in the house are in use
- + The maximum temperature is factory set at 38°C; an override button can be used to obtain hotter temperatures



Thermostatic Peg Lever Bath Shower Mixer Tap (excluding kit)



Specifications

Thermostatic Peg Lever Bath Shower Mixer Tap (excluding kit)

Colour / Finish: Chrome plated

Ceramic Disc Technology

Diverter lever to change from bath to shower mode

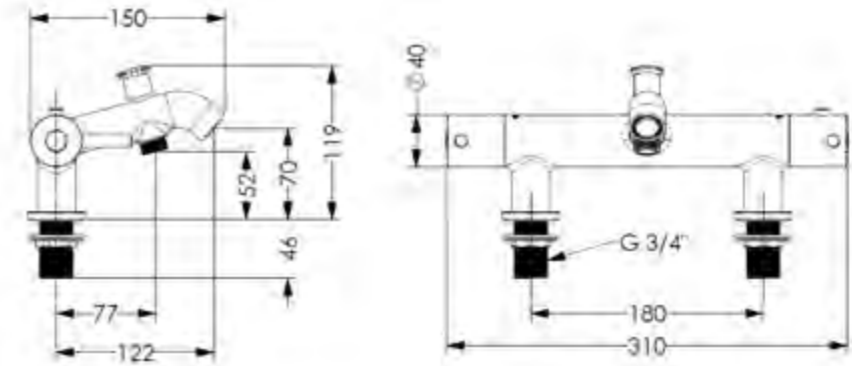
Controls: Peg Lever zinc handles

Material: Brass Internals

Pressure requirements – Min: 0.2 Bar and Max: 5 Bar

WRAS approved

Dimensions (mm)



Thermostatic Peg Lever Bath Shower Mixer Tap

For matching Peg Lever Basin taps, see Brassware section starting on page 481

Product Codes

Thermostatic Peg Lever Bath Shower Mixer Tap (excluding kit)

30817

Lever Handle Bath Taps

Easy-to-use lever basin and bath taps in a stylish chrome finish. Paddle lever handles are specifically designed to aid those with limited dexterity.

Features & Benefits

- + Quarter turn pair of small domestic lever taps
- + Quality design with smooth operation for ease of use
- + Quick and simple to install
- + Red/blue temperature indicator rings ensure user is aware of the expected water temperature
- + Lever paddle handle is easier to operate by hand, closed fist, arm or elbow, and is ideal for those with limited dexterity
- + Stylish chrome finish is easy to clean and complements a variety of bathroom suites

Specifications

Bath tap 3/4 inch (22mm) thread

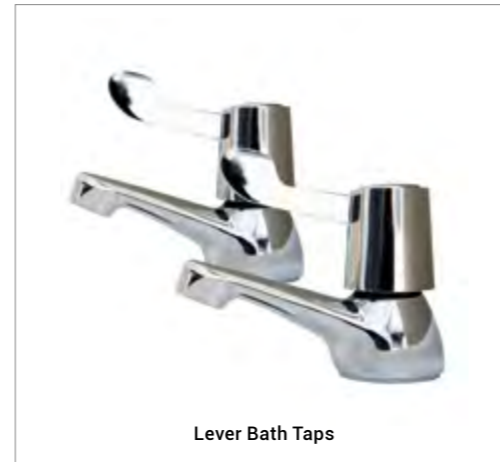
Ceramic cartridges

0.2 bar minimum working pressure

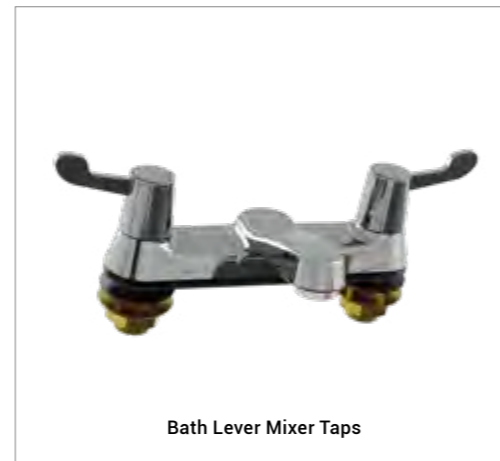
Product Codes

Lever Bath Taps (pair)	30848
Bath Lever Mixer Tap	30855

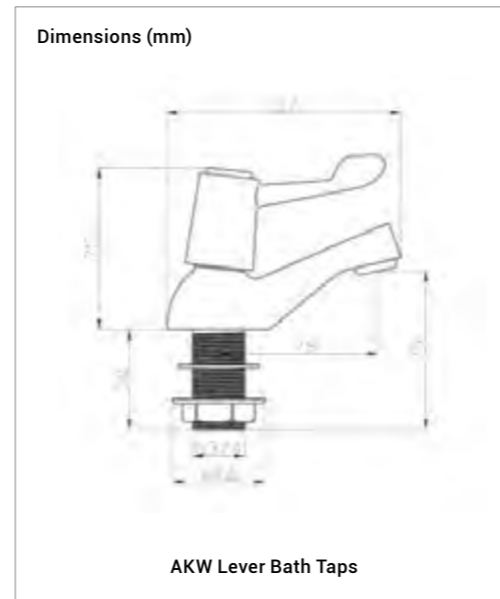
For matching **Lever Handle Basin Taps**, see **Brassware** section starting on **page 481**



Lever Bath Taps



Bath Lever Mixer Taps



AKW Lever Bath Taps



Excludes limescale



Tilted Mirror with Handle

Tilted Mirror in a contemporary design which would suit the interior of any bathroom. The mirror can be tilted up or down, depending on user preference.

Features & Benefits

- + Contemporary, minimalistic design ensures it complements a wide range of bathroom styles and schemes
- + Mirror can be tilted up or down, quickly and simply adjusted depending on the individual needs and mobility of the user
- + Accessible handles enable easy adjustment for both left and right-handed users and those with limited dexterity, whilst also helping to keep the mirror surface clean
- + The mirror is lightweight which allows for quick and easy installation with no specialist tools required
- + The mirror has 6 safe and secure fixing points for user peace of mind, and is durable, while being designed to withstand everyday use
- + Lifetime warranty for user peace of mind



Also available



Product Codes

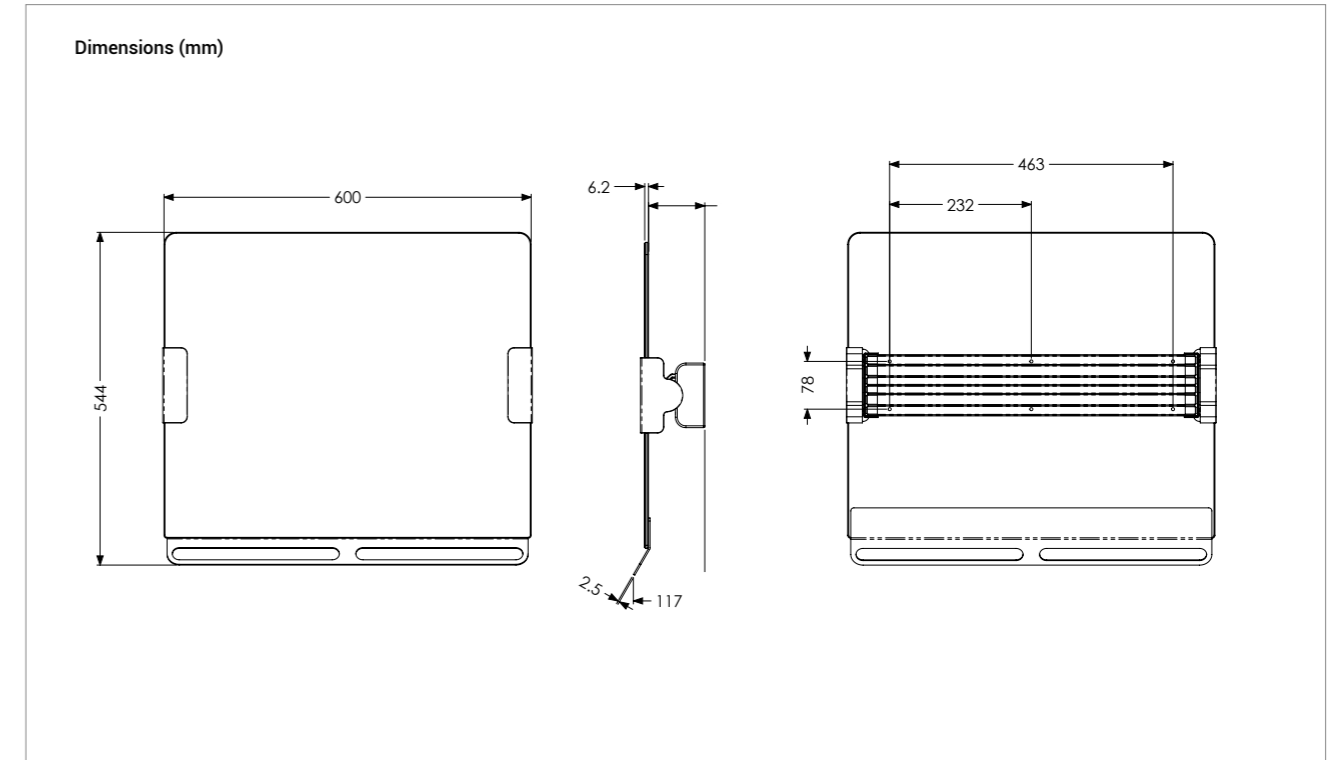
Bevelled Mirror 400 x 600mm **23628**

Specifications

Height: 544mm
Width: 600mm
Depth: 6.2mm
Depth of Handle: 2.5mm
Glass thickness: 6.2mm
Weight: 6.3kg
Fixing points: 6
Mirror Angle of Movement: +/- 21°
Wall clearance when mirror is not titled
Top of the mirror: 92mm
Bottom of the mirror: 117mm

Product Codes

Tilted Mirror with Handle	23605SS
---------------------------	----------------





Sanitaryware & Brassware

Wash & Dry Toilets & Bidets 411

AKW Bidet	412
Close-Coupled Bidet (Pack 1)	418
Back-to-Wall Bidet (Pack 2)	420
Wall-Hung Bidet (Pack 3)	422
AKW Rise & Fall Bidet (Pack 4)	424
Geberit AquaClean Mera Care	432
Closomat Palma Vita & Palma Life	434

Sanitaryware 437

Navlin Range	444
Livenza Plus Range	460
Livenza Range	464
Ergonomic Wash Basins	472
Salonex Hairdresser Basin	473
Wash Basin Fixing Brackets	474
Toilet Seats	475
Toilet Plinth	477

Brassware 481

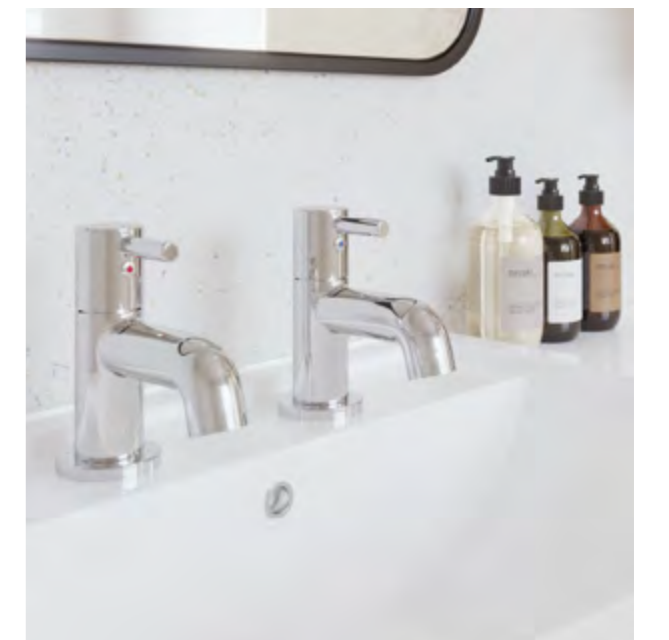
Wash Basin Taps	482
Brassware Accessories	489

Doc M 491

Pack 1-10	496
-----------	-----

Walk-In & Assistive Baths 512

Blakemere Deep Soaker Bath	513
Shakerley Assistive Bath	513
Oulton Walk-In Bath	514



SANITARYWARE

You may also need:

Tiles & Accessories	Mobility Support	Bathroom Furniture	Plumbing Fittings
315	331	520	549

Wash & Dry Toilets & Bidets

Designed to maximise user dignity and independence, wash & dry toilets and bidets aid those who require additional support when toileting.



AKW Bidet

Dignity Redefined – At the heart of our intimate care collection is the AKW Bidet

Ideal for a range of bathroom installations, the AKW Bidet offers a cost-effective, quick to install, easy to use and maintain bidet, with two models available, depending on your needs.

Our **Side-Entry Bidet** has been designed for installation on existing toilet pans and features an external side-entry water feed. This flexibility means the bidet can be easily removed and re-installed on another pan if required in the future.

For those wanting a longer-term solution, our **Bottom-Entry Bidet** has been designed specifically for use with select pieces of sanitaryware from our Navlin and Navlin Doc M collections, with a bottom-entry water feed that is cleverly concealed within the toilet pan.

Seat Options

The AKW Bidet is available with a choice of two seat options, both of which can be easily removed, and used with or without the detachable lid, depending on your preference or installation type.

+ **Ergonomic bidet seat** moulds to the natural contours of the body for optimum comfort, as we understand visiting the toilet may take longer for some than others. It has also been designed for compatibility with most common UK toilet pans, with a wide seat and standard-sized aperture.

+ **Consilio bidet seat** benefits from a contemporary aesthetic which has been specially designed to offer a clean, flush finish when paired with AKW Livenza Plus, Navlin, and Navlin Doc M sanitaryware. It also features a larger aperture which provides additional care benefits for those who need it.

Specifications

When in standard mode, the AKW Bidet requires 0.5 (dynamic) – 10 (static) bar of pressure to achieve a flow rate of 0.6L-1L per minute.

Low pressure mode requires just 0.2 (static) - 10 (static) bar to achieve a flow rate of 0.45L-0.65L per minute, with a maximum 25 second restart period.

BS EN 60335-1 Approval

2 years warranty

Compatible with AKW Livenza sanitaryware and most common UK toilet pans



Product Codes

Side-Entry AKW Bidet with Consilio Seat and Lid	30501
Side-Entry AKW Bidet with Ergonomic Seat and Lid	30502
Bottom-Entry AKW Bidet with Consilio Seat and Lid	30503
Bottom-Entry AKW Bidet with Ergonomic Seat and Lid	30504
AKW Bidet 1 Year Extended Warranty	30501-1
AKW Bidet 2 Year Extended Warranty	30501-2
AKW Bidet 3 Year Extended Warranty	30501-3
AKW Bidet Remote Control*	18-009-028
Sensor Flush	28404

*Batteries are not included

AKW Rise & Fall Bidet

The Revolution is here – aim higher with the AKW Rise & Fall Bidet.

As experienced designers and innovators, we're constantly thinking ahead, anticipating the next step, and creating simple solutions which can help many overcome the struggles of day-to-day life.

Driven and inspired by the success of the AKW Bidet, we consulted renowned Occupational Therapists to devise a bidet product that further addresses the clinical needs of those with reduced mobility when toileting, challenges which often demand more specialist solutions.

The AKW Rise & Fall Bidet offers all the fantastic features of the AKW Bidet, but with an adjustable wall-hung toilet pan that raises and lowers to the height you require, weight-loading fold-up support arms, and a stylish design that feels at home in any modern bathroom.



At a glance...

Contemporary design incorporates toughened safety glass and a wall-hung toilet pan for a minimalist aesthetic which is low maintenance and simple to clean

Easy-to-use, right-handed buttons raise and lower the toilet pan to your individual requirements, particularly benefitting those living in multi-generational or multi-user households as the height is not defined at the point of installation, unlike some other products



Fold-up arms support up to 18.8st (120kg) and enable greater access when completing side transfers, with friction preventing a hard drop

Adjustable toilet pan offers a flexible height range of 410-610mm from the finished floor level to the top of the seat, enabling safer and easier side transfers on/off wheelchairs, shower chairs, and commodes

Rimless toilet pan with direct flushing technique improves hygiene by reducing the build-up of bacteria and making cleaning easier

The Four Cs:

Clean, Care, Comfort, Clever

We want to help those who need it, retain or regain their independence when using the toilet. To us, that isn't too much to ask, which is why we've designed the AKW Bidet with the Four Cs in mind.

The many adjustable settings the AKW Bidet offers can be quickly and easily tailored to meet specific cleaning requirements, all at the touch of a button.

Many useful care features have also been incorporated, each specifically addressing an often overlooked, or clinical need that can make toileting more challenging, while ensuring the experience of using the bidet is a comfortable one.

To achieve this, we have made sure everything our bidet does, it does well, with intelligent solutions cleverly designed to help make life better.

A Personalised Clean, Your Way

Adjustable spray control offers thorough and refreshing cleansing exactly where and how you need it

- + 5 rear wash positions
- + 5 feminine wash positions
- + 5 spray intensity settings (approx. 0.6-1L per minute)
- + 1-2-minute wash cycles
- + 4 spray modes: Steady, Pulsating, Oscillating, Pulsating & Oscillating

Instantaneous 1750W water heater offers a steady flow of warm water with no reheating period in between washes, and a choice of multiple temperature settings

- + 2-minute constant wash cycle
- + 1-minute gradual cooling wash cycle
- + 6-stage temperature control (approx. 31-39°C)

Powerful 350W dryer with settings that can be tailored to your specific needs

- + 3-minute standard drying cycle
- + 6 temperature settings (approx. 40-52°C)
- + 5 adjustable speed settings

We Care About the Little Things

Remote control provides full function control via a handheld, ergonomic remote, which is easy to use and supports carers with maximising user dignity

Night light helps those with visual impairment or dementia locate the toilet in the dark or dimly lit conditions, helping to alleviate the risk of confusion

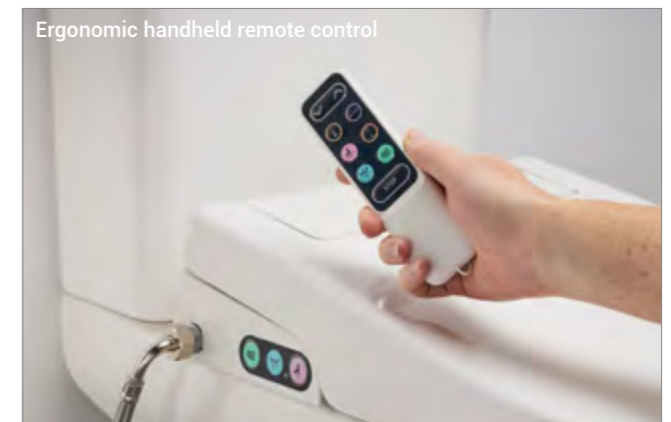
Seat lugs provide discreet stability when side transferring from a chair or commode

Lid and seat lift assist with front moulded grips on the lid and contrasting side tabs for easy lifting, which are not only more hygienic but also support those with limited dexterity

Soft-close seat and lid are slower, quieter, and therefore safer for users, especially children or those easily startled by loud noises

Quick-release seat and lid allows you to adapt the bidet for various care needs, and makes cleaning easier

Easy to clean with a user-friendly design, which should require very little maintenance throughout the bidet's lifetime



Comfort is Key, Always

Quiet heater, water pump, and dryer motor promote user dignity and allow you to use the toilet in peace

Optimised water pressure and flow for efficient and continuous cleaning that encourages a relaxing, enjoyable toileting experience

Strong load limit of 23.5st (150kg) ensures the bidet is suitable for a wide variety of users

Two stylish seat options with UK-sized apertures allow for compatibility with most common toilet pans

- + Ergonomic seat is shaped for maximum comfort with a wider seat
- + Consilio seat features a larger aperture ideal for care environments

Clever Design, for Now, and the Future

Integral seat sensor prevents accidental usage by ensuring activation only occurs when the seat is in use

Self-cleaning function ensures the spray arm nozzle and surrounding area are hygienic

- + Nozzle is cleaned both before and after use
- + Automatic water purge if not used for 72 hours

Low-pressure mode ensures the bidet continues working efficiently during periods of low pressure

Quick and easy for your plumber and/or electrician to install with no specialist tools or prior training required

Side or bottom-entry water supply offers flexibility within a range of bathroom installations

Flexible warranty for peace of mind

- + 2-year warranty provided as standard
- + Up to 5-years cover available with our extended warranty options

The AKW Bidet Collection

Pack One: Close-Coupled Bidet

A modern and discreet solution for wash/dry toileting, the Close-Coupled Bidet feels at home in any bathroom with its subtle yet stylish design and accessible price point.

The Close-Coupled Bidet is comprised of two products

- + AKW Bottom-Entry Bidet with Consilio Seat & Lid which benefits from multiple adjustable wash/dry settings as well as useful care features
- + Navlin Raised-Height Close-Coupled Pan for Bottom-Entry Bidet which has been designed to cleverly conceal bidet pipework, offering an integrated, modest bidet solution

To make ordering even easier, both products can be purchased in one simple pack, with compatible cisterns available separately depending on your flush requirements.

Product Code

AKW Close-Coupled Bidet Pack **28410**

To complete your WC, you will need to select one of the two compatible cisterns:

Navlin cistern and raised push button flush **23574**
 Navlin Doc-M cistern and lever flush (with screw down lid) **23594**

To opt for our contact-free sensor flush option you will need to order the below product code with raised push button flush

Navlin cistern with raised push button flush **23574**
 Navlin Doc M Cistern with Lever Flush closed coupled **23594**
 Sensor Flush **28404**

Features & Benefits

- + Raised-height toilet pan makes it easier for less mobile users to lower and rise from the toilet
- + Rear holes in the toilet pan conceal AKW Bidet pipework for an enhanced cosmetic finish and reduction of hazards in the event of a trip or fall
- + Rimless toilet pan with direct flushing technique offers improved hygiene by reducing the build-up of bacteria and making cleaning easier
- + Toilet pan can support up to a 60st (400kg); bidet seat can support a maximum load of 23.5st (150kg)
- + Compatible with Navlin and Navlin Doc M close-coupled cisterns which come with a choice of raised push button, spatula lever, or sensor flush options, all of which are non-handed and can be easily operated by hand, closed fist, or elbow
- + Pair with Navlin and Navlin Doc M wash basins for a complete bathroom suite



The AKW Bidet Collection

Pack Two: Back-to-Wall Bidet

Providing a stylish and Doc M compliant wash/dry toileting solution, the Back-to-Wall Bidet is suitable for a variety of users and can be installed with a concealed cistern, with AKW Bathroom Furniture, or with a low-level cistern.

The Back-to-Wall Bidet is comprised of two products:

- + AKW Bottom-Entry Bidet with Consilio Seat & Lid which benefits from multiple adjustable wash/dry settings as well as useful care features
- + Navlin Doc M Raised-Height Back-to-Wall Pan for Bottom-Entry Bidet which has been designed to cleverly conceal bidet pipework, offering an integrated, modest bidet solution

Product Code

AKW Back-to-Wall Bidet Pack **28412**

If installing with a concealed cistern, you will need to order the below concealed cistern and flush plate.

28179 | Dudley Miniflo Cistern

28180 | Palm-Push Dual Flush Plate

If installing with AKW Bathroom Furniture, you will need to select a WC unit from **page 444**, which come with a cistern and recessed flush button included.

If installing a low-level WC, you will need to select one of the two compatible cisterns:

Navlin Low-Level Cistern with Raised Push-Button Flush & Flush Pipe **23549**

Navlin Doc M Low-Level Cistern with Lever Flush & Flush Pipe **23559**

To opt for our contact-free sensor flush option you will need to order the below product codes:

Navlin cistern with raised push button flush **23574**

Sensor Flush (can only be used with push button flush) **28404**

Features & Benefits

- + To make ordering even easier, both products can be purchased in one simple pack, with compatible cisterns and furniture available separately depending on your installation requirements.
- + Doc M compliant, raised-height toilet pan makes it easier for less mobile users to lower and rise from the toilet
- + Rear holes in the toilet pan conceal AKW Bidet pipework for an enhanced cosmetic finish and reduction of hazards in the event of a trip or fall
- + Rimless toilet pan with direct flushing technique offers improved hygiene by reducing the build-up of bacteria and making cleaning easier
- + Four-point, side-entry floor fixings reduce the build-up of dust and bacteria, are easier to clean, and come with white cosmetic caps to prevent rusting
- + Toilet pan can support up to 60st (400kg); bidet seat can support a maximum load of 23.5st (150kg)
- + Can be installed with a concealed cistern or AKW bathroom furniture for a streamlined aesthetic that hides any unsightly pipework
- + Can be installed with a low-level cistern, flush pipe, and optional padded back rest (available in contrasting colours); cisterns are available with a choice of raised push button, spatula lever, or sensor flush options, all of which are non-handed and can be easily operated by hand, closed fist, or elbow
- + Pair with Navlin and Navlin Doc M wash basins for a complete bathroom suite



AKW Bidet



AKW Sanitaryware



The AKW Bidet Collection

Pack Three: Wall-Hung Bidet

Ultra-modern and minimalist in its design, the Wall-Hung Bidet can be installed at a user-specific height and feels at home in any 21st century bathroom.

The Wall-Hung Bidet is comprised of four products:

- + AKW Bottom-Entry Bidet with Consilio Seat & Lid which benefits from multiple adjustable wash/dry settings as well as useful care features
- + Wall-Hung Pan for Bottom-Entry Bidet which has been designed to cleverly conceal bidet pipework, offering an integrated, modest bidet solution
- + Geberit Duo Fix Wall-Hung Frame & Cistern which allows for a strong and reliable installation
- + Geberit Kappa 20 Flush Plate (Chrome)

To make ordering even easier, all four products can be purchased in one simple pack.

Product Code

AKW Wall-Hung Bidet Pack

28413

Features & Benefits

- + Minimalist wall-hung toilet pan creates the illusion of space and enables easier cleaning
- + Rear holes in the toilet pan conceal AKW Bidet pipework for an enhanced cosmetic finish and reduction of hazards in the event of a trip or fall
- + Rimless toilet pan with direct flushing technique offers improved hygiene by reducing the build-up of bacteria and making cleaning easier
- + Toilet pan and frame can support up to 60st (400kg); bidet seat can support a maximum load of 23.5st (150kg)
- + Concealed wall-hung frame and integrated cistern keeps unsightly pipework hidden for a more streamlined look
- + Adjustable frame allows the pan to be installed at a user-specific height (from 820-1020mm)
- + Pair with Navlin and Navlin Doc M wash basins for a complete bathroom suite



AKW Bidet



AKW Sanitaryware



The AKW Bidet Collection

Pack Four: Rise & Fall Bidet

Designed to provide a contemporary and flexible wash/dry toileting solution, the Rise & Fall Bidet addresses a variety of clinical needs while promoting the retention or increase of independence and dignity.

Featuring a wall-hung bidet which benefits from an adjustable height range, easy-to-use up/down buttons, and weight-loading fold-up arms, the Rise & Fall Bidet is suitable for users of different heights, ages, and needs.

The Rise & Fall Bidet is comprised of three products:

- + AKW Bottom-Entry Bidet with Consilio Seat which benefits from multiple adjustable wash/dry settings as well as useful care features
- + Wall-Hung Pan for Bottom-Entry Bidet which has been designed to cleverly conceal bidet pipework, offering an integrated, modest bidet solution
- + Rise & Fall Cistern Unit which enables the user to adjust the pan height, incorporates fold-up support arms, and houses the concealed cistern with built-in dual push button flush

To make ordering even easier, all three products can be purchased in one simple pack. Pair with our range of Navlin and Navlin Doc M wash basins for a complete bathroom suite.

Product Code

AKW Rise & Fall Bidet Pack

28414

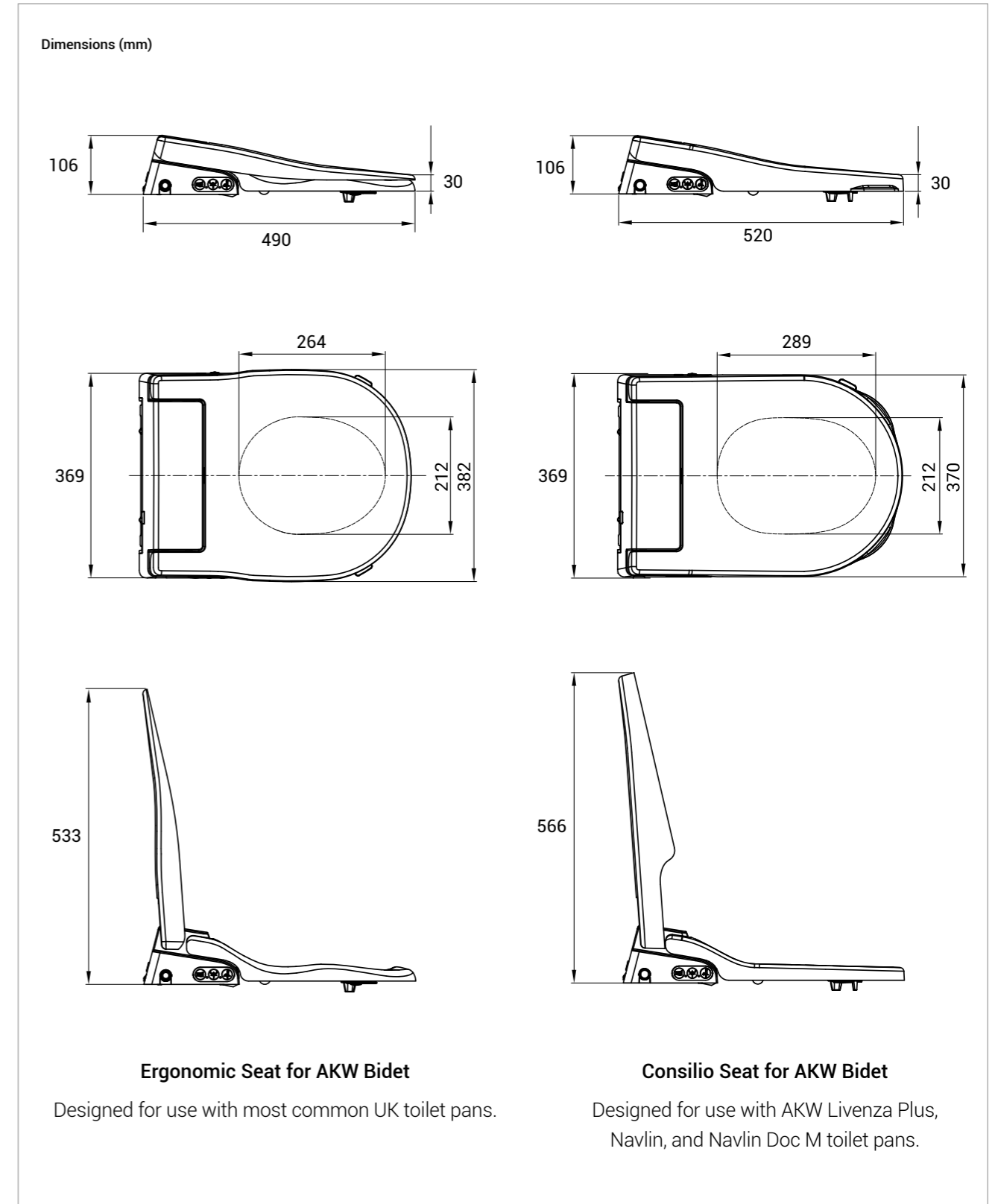
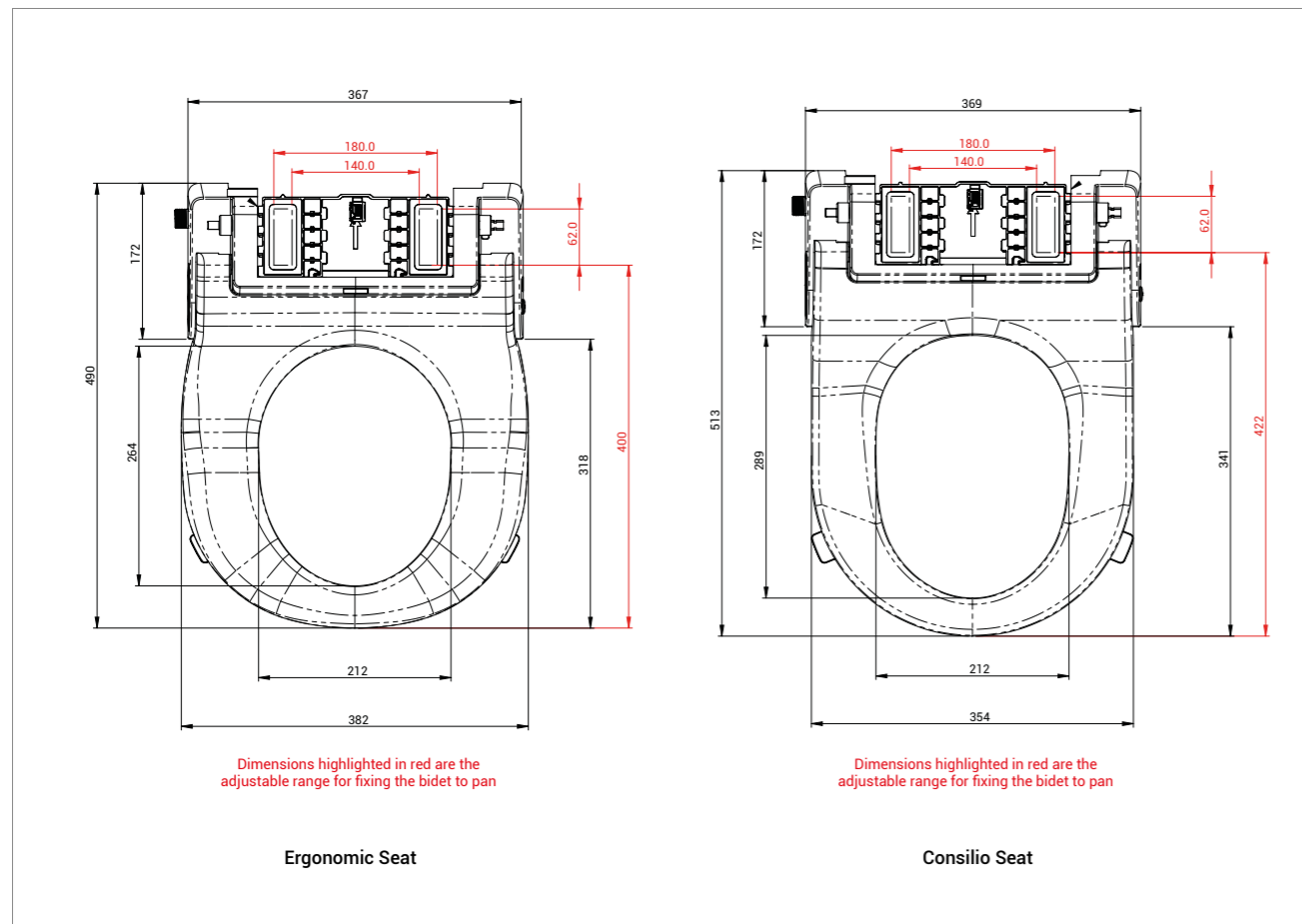
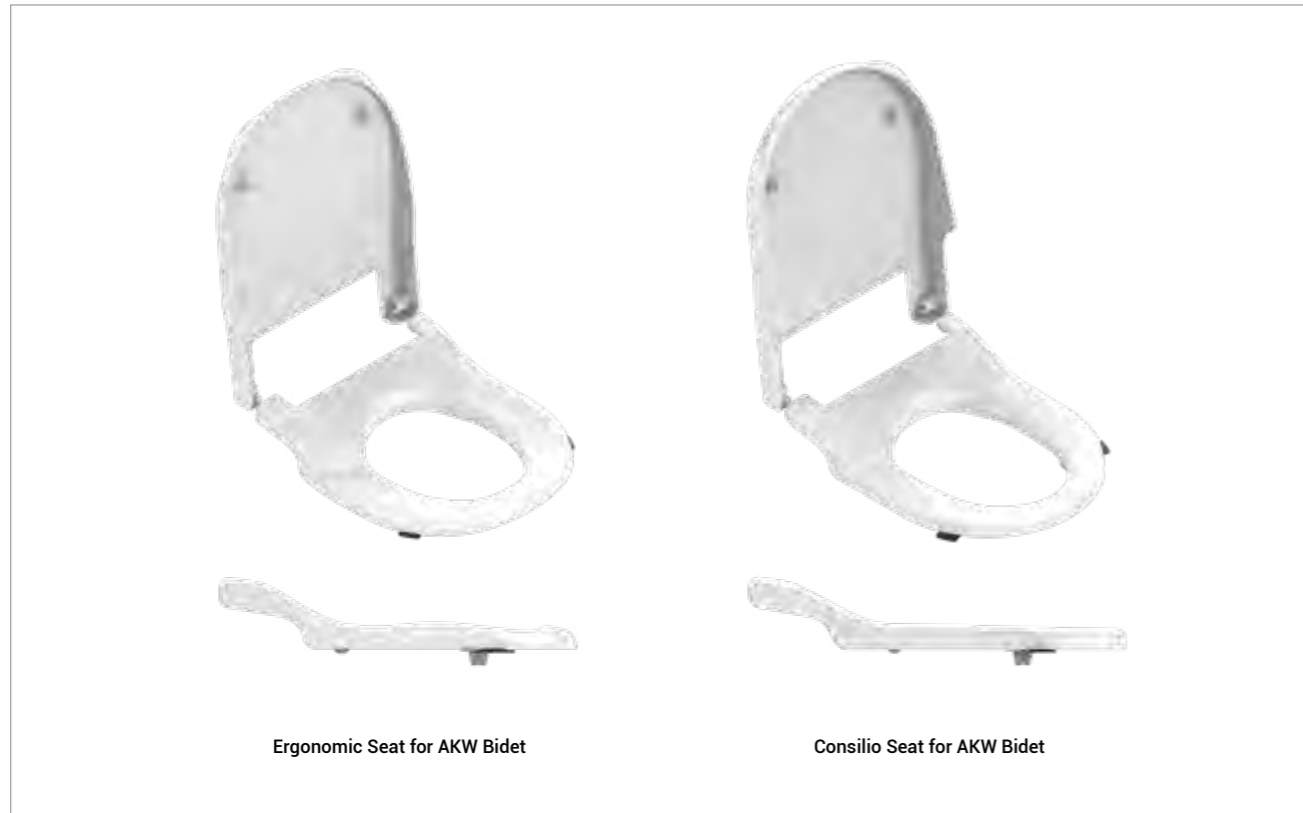
Features & Benefits

- + Height of the toilet pan can be adjusted, offering a flexible height range of 410-610mm from the finished floor level to the top of the seat, and enabling safer, easier side transfers
- + Easy-to-use up/down buttons on the right-hand arm raise and lower the toilet pan to your individual requirements, benefitting those living in multi-generational or multi-user households
- + Rear holes in the toilet pan conceal AKW Bidet pipework for an enhanced cosmetic finish and reduction of hazards in the event of a trip or fall
- + Rimless toilet pan with direct flushing technique improves hygiene by reducing the build-up of bacteria and making cleaning easier
- + Concealed cistern keeps unsightly pipework hidden for a more streamlined look, with the dual push button flush offering full (6 litre) and reduced flush options
- + Weight-loading arms aid with safe navigation around the bathroom and fold up to enable greater access, with friction preventing a hard drop
- + Cistern unit with toilet pan can support up to 60st (400kg); bidet seat can support up to 23.5st (150kg); arms can support up to 18.8st (120kg) each
- + Incredibly stylish aesthetic with toughened safety glass front, minimalist wall-hung pan, and taupe arms

 2 YEAR <small>WARRANTY</small>	 5 YEAR <small>WARRANTY</small>	 LIFETIME <small>WARRANTY</small>
AKW Bidet and Rise & Fall Cistern unit	AKW Bidet and Rise & Fall Cistern unit extended warranty up to 5 years, available separately	AKW Sanitaryware



Toilet Seats for Bidet

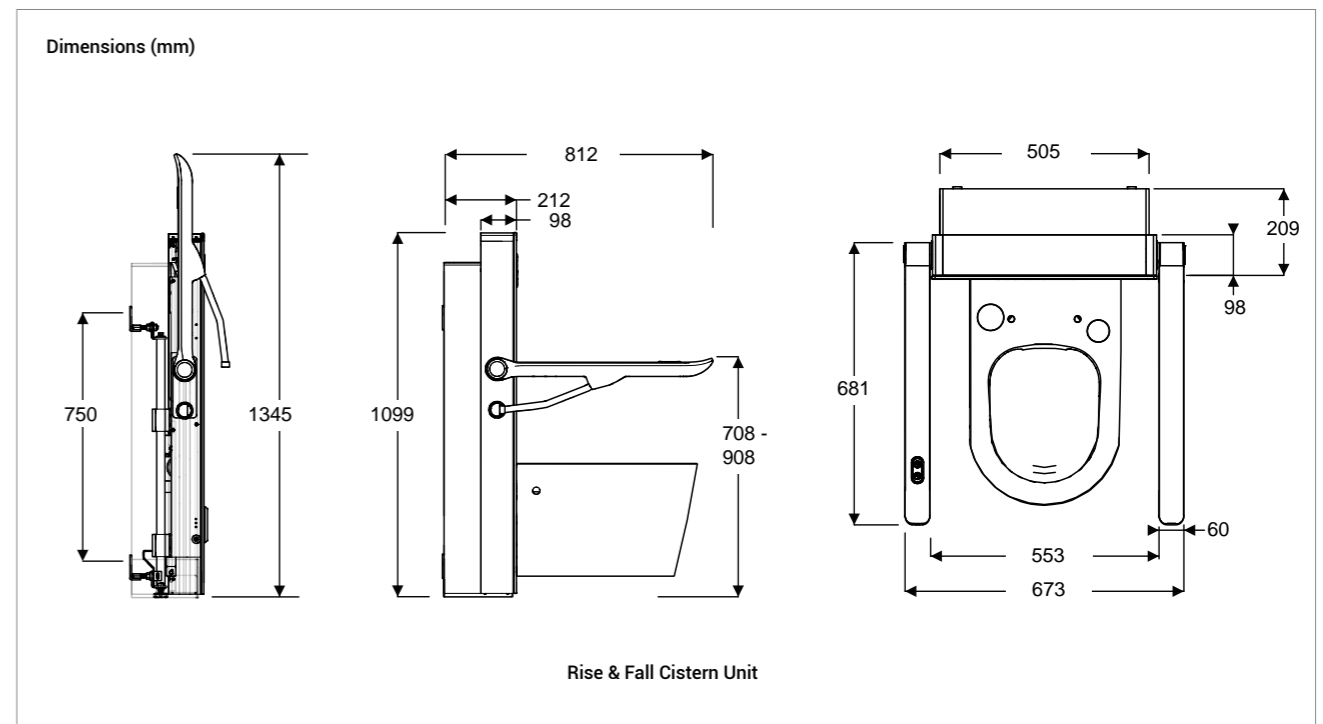


Technical Specification AKW Bidet

Wash	Rear wash	Yes
	Feminine wash	Yes
	Oscillating spray	Yes
	Pulsating spray	Yes
	Oscillating and pulsating spray	Yes
	Adjustable water temperature	6 levels (default 4th)
	Temperature modes	Constant temperature (default) and gradual cooling
	Adjustable flow rate	5 steps (default 3rd)
	Adjustable spray position	5 steps (default 3rd)
Warm Air	Air drying	Yes
	Adjustable dryer temperature	6 levels (default 3rd)
	Adjustable dryer rate	5 steps (default 3rd)
Hygiene	Nozzle auto cleaning	Yes
	Nozzle manual cleaning	Yes
Features	Night light	Yes
	Soft-closing seat and lid	Yes
	Quick-release seat and lid	Yes
	Control buttons	Yes
	Remote control	Yes
Specification	Water supply connector	G 1/2" / G3/8"
	Water supply direction	Side or bottom entry
	Water supply pressure	Min 0.5 (dynamic)~Max 8 (static) (in standard mode)
	Water supply temperature	4~30°C
	Rated voltage	AC230V, 50HZ
	Power rating	1750W
	Length of power cord	approx. 1.5m
	Ambient temperature	4~40°C
	Protection degree	IPX4
	Maximum weight loading	23.5 st / 150kg
	Wash Device	Flow rate (standard)
Flow rate (low)		450~650ml/min
Water temperature		31~39°C
Wash cycle time (standard)		2 Minutes at constant temperature mode or 1 minute at gradual cooling mode.
Wash cycle time (low)		1 Minute at constant temperature mode and gradual cooling mode.
Heating mode		Element
Safety device		Thermal cut out fuses/liquid level switch/thermostat
Back flow prevention		Air gap
Dry Device	Minimum air volume	0.2m ³ /min
	Maximum dryer power	350W
	Warm air temperature	40~52°C
	Dry cycle time	3 minutes
	Safety device	Thermal cut out fuses/thermostat
Remote Control	Frequency	~2460MHz
	Maximum RF output power	0dBm
	Type of batteries	2x 1.5V LR03 AAA (batteries not included)

Technical Specification Rise & Fall Cistern Unit

Flush Volume	6L (full flush) & Reduced Flush
Lift Direction	Vertical Lift
Rated Voltage	AC 220-240V,50/60Hz
Max. Power	200W
Drive Mode	DC Motor Lead Screw
Duty Cycle	10%, Max. 2 Min Operate/Min. 18 Min Stop
Operation Switch	Push-Button Switch
Adjustable Lifting Range	200mm
Length of Power Cord	2m
Max. Load Weight	60st / 400kg
Max. Load Weight Each Arm Rest	18.8st / 120kg
Waterproof Rating	IPX4
Ambient Temperature	4~40C
Drainage Direction	Wall & Floor Drainage
Dimensions (mm)	(H) 1099 x (W) 543 x (D) 212
Net Weight	55.9kg
Colour of Glass Panel	White



Rise & Fall WC

The Rise & Fall WC benefits from an adjustable height range, easy-to-use up/down buttons, and weight-loading fold-up arms, offering flexible toileting for users of different heights, ages, and requirements.

Features & Benefits

- + Height of toilet pan can be adjusted with a flexible height range of 424-624mm from finished floor level to top of seat
- + Easy-to-use up/down buttons on right-handed arm raise and lower the toilet pan to users' individual requirements, ideal for those living in multi-generational or multi-user households
- + Flexible height settings enable safer and easier side transfers on/off wheelchairs, shower chairs and commodes
- + Minimalist wall-hung toilet pan creates the illusion of space and enables easier cleaning
- + Rimless toilet pan with direct flushing technique improves hygiene by reducing the build-up of bacteria and making cleaning easier
- + Rounded edges and corners reduce the risk of injury in the event of a trip or fall
- + Contemporary and durable carbamide toilet seat supports up to 23.5st (150kg) and benefits from soft-close hinges which are slower, quieter and safer for users
- + Cistern unit with toilet pan can support 60st (400kg) to cater to a wide variety of users
- + Fold-up arms enable greater access when completing side transfers, with friction preventing a hard drop
- + Arms can support up to 18.8st (120kg) each and can be utilised to help users with safely navigating around the bathroom
- + Fully compliant, concealed cistern keeps unsightly pipework hidden for a more streamlined look
- + Dual push button flush offers full (6 litre) and reduced flush options for increased performance and water efficiency
- + Unit features a toughened safety glass front for peace of mind, with a stylish chrome/plastic flush, and taupe arms



Product Code

Rise & Fall WC

28415

Rise & Fall Cistern Unit

The Rise & Fall Cistern Unit benefits from an adjustable height range, easy-to-use up/down buttons, and weight-loading fold-up arms, offering flexible toileting for users of different heights, ages, and requirements.

The Rise & Fall Cistern Unit which enables the user to adjust the pan height, incorporates fold-up support arms, and houses the concealed cistern with built-in dual push button flush.

Features & Benefits

- + Rise & Fall Cistern Unit can be adjusted with a flexible height range of approximately 200mm
- + Easy-to-use up/down buttons on right-handed arm raise and lower the toilet pan to users' individual requirements, ideal for those living in multi-generational or multi-user households
- + Flexible height settings enable safer and easier side transfers on/off wheelchairs, shower chairs and commodes
- + Rounded edges and corners reduce the risk of injury in the event of a trip or fall
- + The Rise & Fall Cistern Unit can support 60st (400kg) to cater to a wide variety of users
- + Fold-up arms enable greater access when completing side transfers, with friction preventing a hard drop
- + Arms can support up to 18.8st (120kg) each and can be utilised to help users with safely navigating around the bathroom
- + Fully compliant, concealed cistern keeps unsightly pipework hidden for a more streamlined look
- + Dual push button flush offers full (6 litre) and reduced flush options for increased performance and water efficiency
- + Unit features a toughened safety glass front for peace of mind, with a stylish chrome/plastic flush, and taupe arms
- + Components individually packaged in recyclable materials to prevent damage during transit



Product Code

Rise & Fall Cistern Unit

28403

Geberit AquaClean Mera Care

Design meets function, the Geberit AquaClean Mera Care incorporates a simple to use shower, dryer and odour extraction. Easy to operate and virtually touch-free, it provides you with an all-round cleaner, more comfortable and more hygienic experience. It will leave you feeling clean, fresh and improve your sense of well-being.

Features & Benefits

- + Extending spray arm will wash you with a gentle, oscillating jet of warm water
- + The water temperature (along with other features) can be adjusted providing a pleasant experience, even for the most sensitive skin
- + The lady spray setting also provides advanced cleaning for feminine hygiene
- + Unpleasant odours will barely have time to circulate the room due to the efficient, built-in odour extraction that is activated as soon as you sit down
- + After washing, it will gently and quietly dry you with a flow of warm air; drying is completed in seconds – leaving you feeling clean, fresh and confident
- + The spray nozzle is rinsed with fresh water before and after each use, ensuring spotless cleanliness at all times
- + Can be easily fitted, even in wet rooms
- + Register your product with Geberit within 90 days to extend warranty to 5 years



Geberit AquaClean Mera Care Toilet (Technical Information)

Specifications

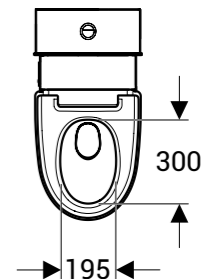
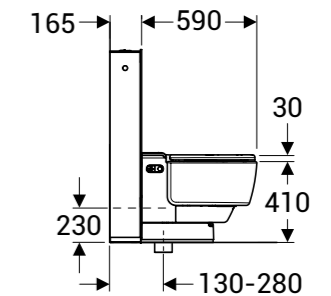
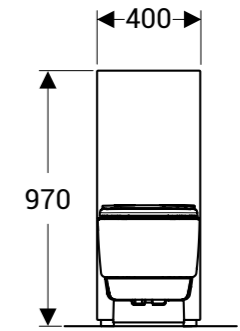
Colour	White
Protection class	I
Protection degree	IPX4
Nominal voltage (V)	230 V AC
Mains frequency (Hz)	50 Hz
Power consumption (W)	2000 W
Power consumption standby (W)	≤ 0.5 W
Flow pressure (bar)	0.5–10 bar
Flow pressure (kPa)	50–1000 kPa
Operating temperature (°C)	5–40 °C
Water temperature, adjustment range (°C)	34–40 °C
Flush volume, factory setting (l)	6 and 4 l
Air volume flow rate, dryer (m³/h)	6 m³/h
Air volume flow rate, odour extraction (m³/h)	6 m³/h
Calculated flow rate (l/s)	0.03 l/s
Flow rate, anal shower (l/min)	1.1–2.0 l/min
Minimum flow pressure for calculated flow rate (bar)	0.5 bar
Flow rate, lady shower (l/min)	0.4–0.7 l/min
Minimum flow pressure for calculated flow rate (kPa)	50 kPa
Washing time per activation	30–50 s
Maximum load WC seat (kg)	190 kg

Geberit AquaClean Mera Care must be connected to a mains water supply

Product Code

Geberit AquaClean Mera Care **23864**

Dimensions (mm)



Closomat Palma Vita & Palma Life™



Closomat Palma Vita™ - Features & Benefits

- + Unique 'hands free' system operates the Palma Vita's flushing, warm water washing & warm air drying functions by just pressing & releasing the elbow pad
- + Simultaneous flushing & washing feature improves personal hygiene as it cleans with water not paper
- + Improved personal hygiene, cleaning with water
- + Can be used at all times as a conventional WC
- + Combines a WC & bidet with the addition of drying air
- + Aesthetically pleasing design including telescopic skirt to cover plinth & a continuous bowl cover
- + UK made in a dedicated factory, 5-7 working day lead time
- + Customised to suit individual needs
- + Installation & service support available
- + 1 year guarantee, extendable up to 10yr available separately
- + Load Capacity: 190kg/30stone

Closomat Palma Life™ - Features & Benefits

- + A Closomat automatic flushing shower toilet with 10 years' fully comprehensive, hassle-free maintenance cover for one simple price
- + Palma Life™ has been developed as a result of feedback from the healthcare marketplace
- + Palma Life™ meets the pressures faced by Local Authorities & Housing Associations when it comes to funding & as such the Palma Life™ helps to ease the burden
- + Put simply, when a Palma Life™ wash & dry shower toilet is purchased your client is receiving a top quality product with a decade of peace of mind

Product Code

Palma Vita Standard Spray Douche Arm	04C01
Palma Vita Extended Spray Douche Arm	04C02
Palma Vita Extended Twin Spray Douche Arm	04C03
Palma Life Standard Spray Douche Arm	04C05
Palma Life Extended Spray Douche Arm	04C06
Palma Life Extended Twin Spray Douche Arm	04C07
Extended Service Warranty (UK)	04CW-UK
Extended Service Warranty (London)	04CW-L



How it works

Flushing
Press either elbow pad whilst standing for conventional flush.

Washing
Press elbow pad whilst seated and hold down for approximately 10-15 seconds, flushing and warm water washing will then take place.

Drying
Warm air drying automatically follows when elbow pad is released.

Accessories are available, please visit orders.akw-ltd.co.uk

Optional Extras

Description	Product Code:
Integrated Fold Down Support Arms: For additional assistance of wheelchair users	04C10
Touch Sensitive Hand Foot Switch optional extra with main unit: For users who are unable to use the standard elbow pads. Air operated, no electricity is required to operate it, only very light pressure.	04C11
Proxy Switch: For users with little or no grip to activate the unit by passing their hand/body part in front of the sensor	04C12
Remote Control: Infrared wireless 'Push and go' control	04C13
Proxy Switch: For users with little or no grip to activate the unit by passing their hand/body part in front of the sensor	04C12
Infill Panel: 25mm / 50mm / 75mm. Designed to aid installations where pipe-work inhibits the unit from being located against the wall	04CIP25 / 04CIP50 / 04CIP75
Shaped Plinth: 25mm / 50mm / 75mm / 100mm. Used to raise the whole unit for users of shower chairs or to aid direct wheelchair transfer	04CP25 / 04CP50 / 04CP75 / 04CP100
Soft Seat: Adult / Junior/ Open Fronted. Dark blue colour, to aid the visually impaired	04CSA / 04CSJ / 04CSOF
Seat Big John: Bariatric toilet seat with an increased seating area and weight capacity (57 stone)	04CSBJ
Integrated Fold Down Support Arms (Inc. Retrofit Installation) Retrofit install by Closomat (only for when purchased separate to a Closomat Unit)	04C10-INST
Touch Sensitive Hand Foot Switch (Inc. Retrofit Installation) Retrofit install by Closomat (only for when purchased separate to a Closomat unit)	04C11-INST
Proxy Switch (Inc. Retrofit Installation) Retrofit install by Closomat (only for when purchased separate to a Closomat unit)	04C12-INST
Remote Control (Inc. Retrofit Installation) Retrofit install by Closomat (only for when purchased separate to a Closomat unit)	04C13-INST
Seat Big John (Inc. Retrofit Installation) Retrofit install by Closomat (only for when purchased separate to a Closomat unit)	04CSBJ-INST
Extended Single Spray Douche Arm (Inc. Retrofit Installation) Retrofit install by Closomat (only for when purchased separate to a Closomat unit)	04C16-INST
Extended Twin Spray Douche Arm (Inc. Retrofit Installation) Retrofit install by Closomat (only for when purchased separate to a Closomat unit)	04C17-INST
Aerolet Vertical Lift* Suits people with good upper body strength. Compatible with the Palma Vita. Safe working load is 24 stone / 150kg.	04C14
Aerolet Tilt Lift* Suits people with strength in, and control over, their legs and knees. Compatible with the Palma Vita. Safe working load is 24 stone / 150kg.	04C15

*A lift mechanism must be purchased with the Closomat unit



Sanitaryware

Our sanitaryware has been specially developed for users with reduced mobility. Our products are strong, reliable, stylish and comfortable, and there is a wide range to choose from:

- + Navlin Doc M
- + Navlin Range
- + Livenza Plus Range
- + Livenza Range
- + Ergonomic Range

Close-Coupled Pan, Cistern & Ergonomic Seat

navlin **Doc M**

Our Navlin Doc M close-coupled WC benefits from a raised-height, rimless toilet pan available with standard or extended projection which has been designed for use within our Doc M washroom packs.

Complete your WC with a fully compliant, water-saving cistern and a choice of flush and seat options.

Features & Benefits

- + Pan available with 650mm or 750mm projection to aid with side transfer from a wheelchair
- + 480mm raised-height toilet pan (height with seat affixed) complies with Doc M guidelines and makes it easier for less mobile users to lower/rise from the toilet
- + Rimless toilet pan with direct flushing technique offers improved hygiene levels by reducing the build-up of bacteria and making cleaning easier
- + Pan can support up to 60st (400kg) to cater to a wide variety of users
- + Wide pan footprint for increased stability when side transfers to/from a wheelchair
- + BS EN 997 approved toilet pan for guaranteed flush performance
- + Rounded edges and corners reduce the risk of injury in the event of a trip or fall
- + Ergonomic toilet seats (available with or without lid) are shaped for comfort and easy cleaning, come with seat lugs for stability when side transferring, soft-close hinges for safety, can support up to 47st (300kg), and comes in a choice of colours to benefit the visually impaired or those with dementia
- + Available with a raised push button or spatula lever flush, both of which can be easily operated by hand, closed fist or elbow
- + Full (6 litre) and reduced flush options increase performance and water efficiency



- + Bottom inlet water connection simplifies pipework
- + Overflow pipe is 300mm above pan rim, fully complying with current UK Water Regulations



i For Toilet Seats see **page 475**

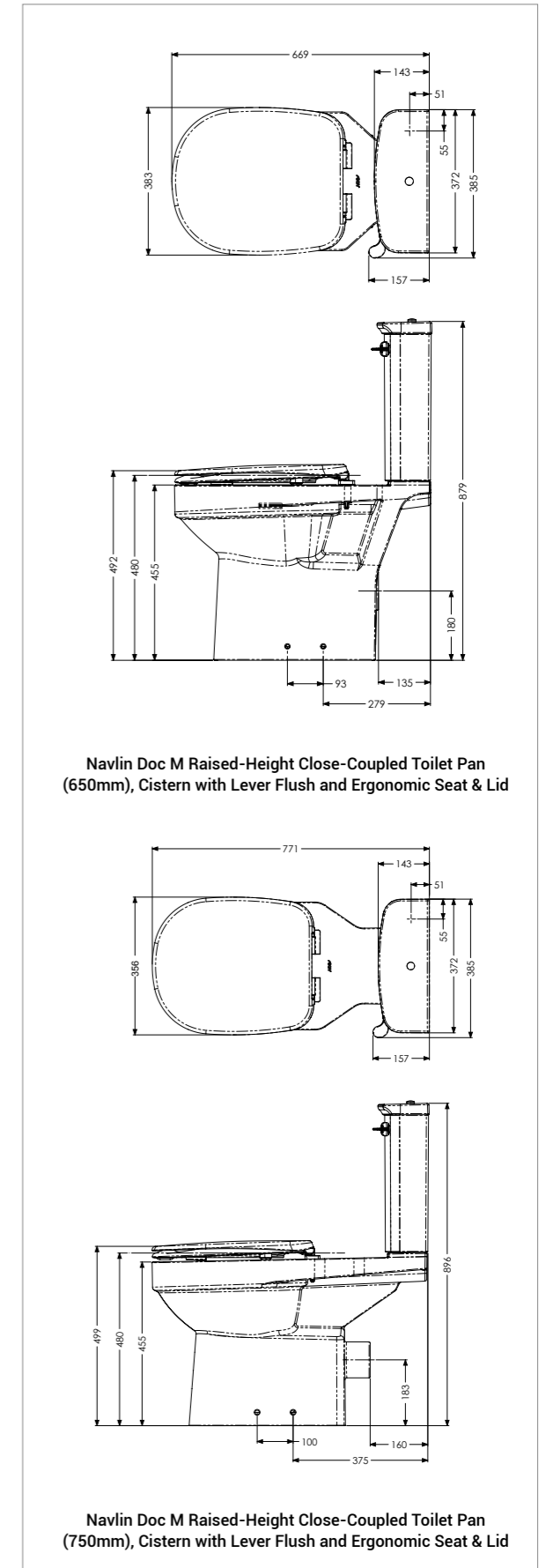
i For Ergonomic Toilet Seats see **page 476**

Features & Benefits

- + Cistern is fitted with a top-fill inlet valve that has an all-round air gap which is fully compliant with current UK Water Regulations
- + Horizontal outlet waste connection for easy installation and maintenance
- + Includes easy-to-secure, four-point, side-entry floor fixings which reduce the build-up of dust and bacteria and are easier to clean, as well as white cosmetic caps to prevent rusting
- + Toilet pan, cistern (inc. flush mechanism) and seat supplied separately for additional flexibility when specifying
- + Supplied with fixing kit as standard
- + Components individually packaged in recyclable materials to prevent damage during transit

Product Codes

Navlin Doc M Raised-Height Close-Coupled Toilet Pan (650mm)	23591
Navlin Doc M Raised-Height Close-Coupled Toilet Pan (750mm)	23590
Navlin Doc M Cistern with Lever Flush & Screw-Down Lid	23594
Navlin Cistern with Raised Push Button Flush	23574



Navlin Doc M Raised-Height Close-Coupled Toilet Pan (650mm), Cistern with Lever Flush and Ergonomic Seat & Lid

Navlin Doc M Raised-Height Close-Coupled Toilet Pan (750mm), Cistern with Lever Flush and Ergonomic Seat & Lid

Back-to-Wall Toilet Pan

navlin **Doc M**

Our Navlin Doc M back-to-wall toilet pan benefits from a raised-height, rimless design that can easily be installed as part of a Doc M bathroom solution. Complete your WC with a concealed cistern or fully compliant, water saving, low-level cistern, and a choice of flush, seat and accessory options.

Features & Benefits

- + 480mm raised-height toilet pan (height with seat affixed) complies with Doc M guidelines, makes it easier for less mobile users to lower/rise from the toilet, and aids with side transfer from a wheelchair
- + Rimless toilet pan with direct flushing technique offers improved hygiene levels by reducing the build-up of bacteria and making cleaning easier
- + Pan can support up to 60st (400kg) to cater to a wide variety of users
- + Rounded edges and corners reduce the risk of injury in the event of a trip or fall
- + BS EN 997 approved toilet pan for guaranteed flush performance
- + Wide pan footprint for increased stability when side transferring to/from a wheelchair
- + Ergonomic toilet seats (available with or without lid) are shaped for comfort and easy cleaning, come with seat lugs for stability when side transferring, soft-close hinges for safety, can support up to 47st (300kg), and comes in a choice of colours to benefit the visually impaired or those with dementia
- + Compatible for use with a concealed cistern for a more streamlined aesthetic that hides any unsightly pipework
- + Compatible with AKW fitted bathroom furniture, with all WC units including a cistern and recessed flush button
- + Can be installed as a low-level WC, with the addition of a low-level cistern and flush pipe



i For Toilet Seats see [page 475](#)

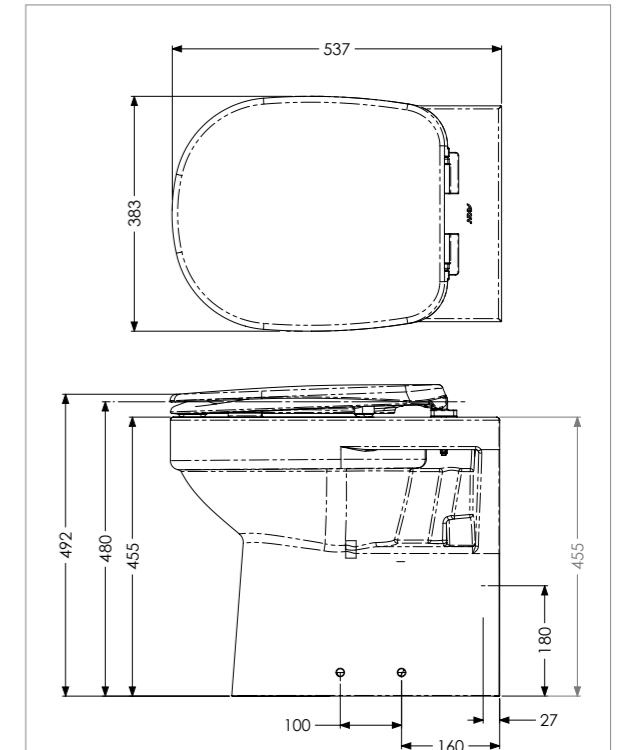
i For Ergonomic Toilet Seats see [page 476](#)

Features & Benefits

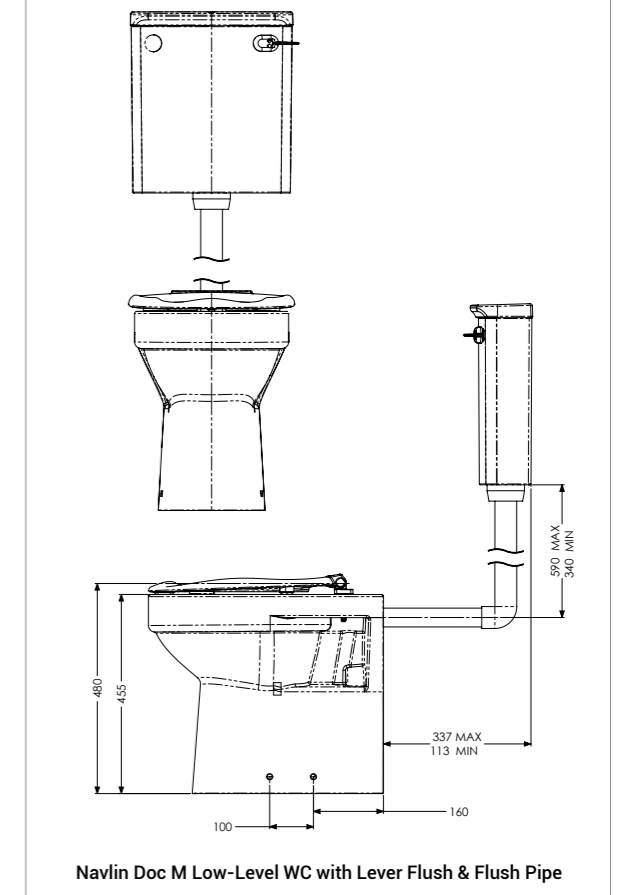
- + Low-level cistern offers choice of raised push button or spatula lever flush, both of which can be easily operated by hand, closed fist or elbow
- + Low-level cistern offers full (6 litre) and reduced flush options to increase performance and water efficiency
- + Padded back rest is recommended when installing as part of a low-level WC for user comfort; pad is available in a choice of colours with a contrasting option ideal for the visually impaired
- + Horizontal outlet waste connection for easy installation and maintenance
- + Includes easy-to-secure, four-point, side-entry floor fixings which reduce the build-up of dust and bacteria and are easier to clean, as well as white cosmetic caps to prevent rusting
- + Toilet pan, cistern (inc. flush mechanism) and seat supplied separately for additional flexibility when specifying
- + Supplied with fixing kit as standard
- + Components individually packaged in recyclable materials to prevent damage during transit

Product Codes

Navlin Doc M Raised-Height Back-to-Wall Toilet Pan	23593
Navlin Doc-M Low-Level Cistern with Lever Flush & Flush Pipe	23559
Navlin Low-Level Cistern with Push Button Flush & Flush Pipe	23549
Dudley Miniflo Cistern	28179



Navlin Doc M Back-to-wall Toilet Pan with Ergonomic Seat & Lid



Navlin Doc M Low-Level WC with Lever Flush & Flush Pipe

Doc M Finger Rinse wash basin 400mm 2 tap hole

Doc M

Our Navlin Doc M finger rinse wash basin has been specially designed for use with our Doc M washroom packs, with two tap holes for flexibility when installing and a free-flowing waste.

To comply with Doc M regulations, offer increased hygiene, and provide users with greater ease of use, the tap should be installed on the side of the basin closest to the WC

- + Two-tap hole basin complete with waste trap and fixings for easy installation
- + Additional bracket provided under wash basin to provide extra support
- + Non-handed (two tap-hole basin) with blanking plug supplied which provides flexibility in your installation
- + Mixer tap (which is available separately) can be fitted either left or right-handed
- + No plug supplied to ensure a free flow of water and prevent flooding, however optional plug and chain can be purchased separately if preferred
- + Components individually packaged in recyclable materials to prevent damage during transit



Product Code

Doc M Finger Rinse wash basin 400mm 2 tap hole

23117



Navlin Close-Coupled Pan, Cistern & Toilet Seat

navlin

The Navlin close-coupled WC is designed to feel at home in any 21st century bathroom, with a modern aesthetic and fully compliant cistern.

Featuring a clever rimless toilet pan which improves hygiene levels by reducing the number of hard-to-reach areas where germs can thrive, Navlin WCs are available with complementary seats and flush options to expertly cater to a variety of needs.

AKW Navlin and Navlin Doc M sanitaryware ranges have been designed with compatibility in mind, allowing you to create a contemporary bathroom that expertly caters to a variety of needs.

Features & Benefits

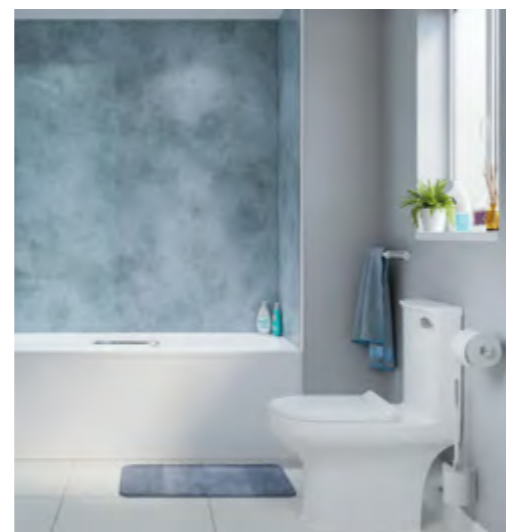
- + Standard and raised-height pan options available
- + Rimless toilet pan with direct flushing technique offers improved hygiene levels by reducing the build-up of bacteria and making cleaning easier
- + Pan can support up to 60st (400kg) to cater to a wide variety of users
- + Rounded edges and corners reduce the risk of injury in the event of a trip or fall
- + BS EN 997 approved toilet pan for guaranteed flush performance
- + Two contemporary seat options - Carbamide model offers extra strength and durability, with our polypropylene PP seat a stylish, cost-effective solution - both feature soft-close hinges which are slower, quieter and safer for users, and support up to 23.5st (150kg)
- + Cistern available with a raised push button or spatula lever flush, both of which can be easily operated by hand, closed fist or elbow
- + Optional sensor flush valve offers contact-free flush operation and is available separately; this must be ordered alongside the Navlin Cistern with Raised Push Button Flush and installed in place of the button flush mechanism/valve



Navlin Close-Coupled WC with Raised Push Button Flush & Carbamide Seat



Navlin Close-Coupled WC with Lever Flush & Carbamide Seat



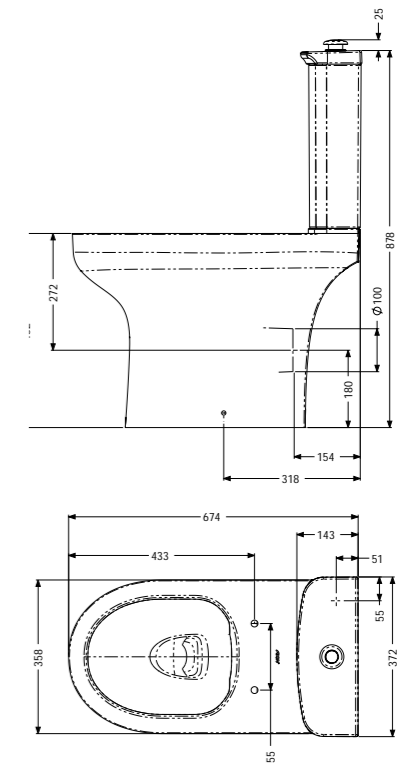
- + Lever flush can be installed left or right-handed
- + Cisterns with lever or raised push button flush mechanisms offer full (6 litre) and reduced flush options for increased performance and water efficiency
- + Cistern is fitted with a top-fill inlet valve that has an all-round air gap which fully complies with current UK Water Regulations
- + Overflow pipe is 300mm above pan rim, fully complying with current UK Water Regulations
- + Bottom inlet water connection simplifies pipework
- + Horizontal outlet waste connection for easy installation and maintenance
- + Includes easy-to-secure, two-point, side-entry floor fixings which reduce the build-up of dust and bacteria, are easy to clean, and are supplied with white cosmetic caps to prevent rusting
- + Supplied with fixing kit as standard
- + Pan, seat and cistern (inc. flush mechanism) supplied separately
- + Components individually packaged in recyclable materials to prevent damage during transit

Product Codes

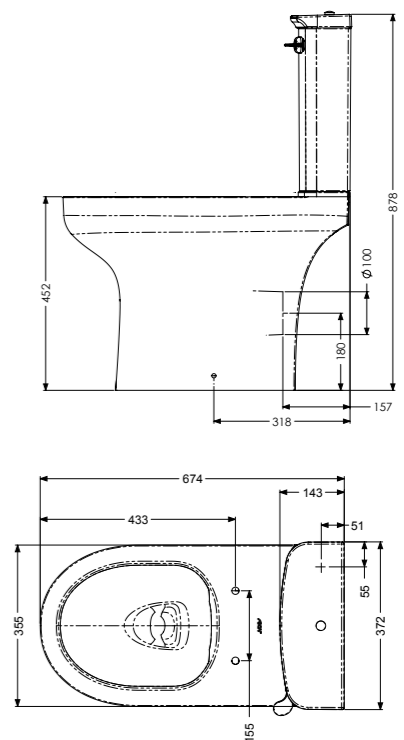
Navlin Standard-Height Close-Coupled Toilet Pan	23571
Navlin Raised-Height Close-Coupled Toilet Pan	23570
Navlin Cistern with Raised Push Button Flush	23574
Navlin Doc M Cistern with Lever Flush & Screw-Down Lid	23594
Carbamide Soft-Close Toilet Seat with Lid	23588
PP Soft-Close Toilet Seat with Lid	23589

i For Plumbing Fittings (see [page 549](#))

Dimensions (mm)



Navlin Standard-Height Close-Coupled Toilet Pan & Cistern with Raised Push Button Flush



Navlin Raised-Height Close-Coupled Toilet Pan & Cistern with Lever Flush

Navlin Back-to-Wall Toilet Pan

navlin

The Navlin back-to-wall toilet pan has been designed to offer an ultra-minimalist aesthetic and can be installed independently or with our range of contemporary AKW bathroom furniture.

Featuring a fully compliant concealed cistern and a clever rimless toilet pan which helps to improve hygiene, the Navlin back-to-wall toilet pan is available with two seat options and a recessed flush button.

AKW Navlin and Navlin Doc M sanitaryware ranges have been designed with compatibility in mind, allowing you to create a contemporary bathroom that expertly caters to a variety of needs. Is also suitable for Low-Level installations.



Features & Benefits

- + Rimless toilet pan with direct flushing technique offers improved hygiene levels by reducing the build-up of bacteria and making cleaning easier
- + Pan can support up to 60st (400kg) to cater to a wide variety of users
- + Rounded edges and corners reduce the risk of injury in the event of a trip or fall
- + BS EN 997 approved toilet pan for guaranteed flush performance
- + Two contemporary seat options - Carbamide model offers extra strength and durability, with our polypropylene PP seat a stylish, cost-effective solution - both feature soft-close hinges which are slower, quieter and safer for users, and support up to 23.5st (150kg)
- + Designed for use with a concealed cistern, which keeps unsightly pipework hidden for a more modern, streamlined look
- + Compatible with AKW fitted bathroom furniture, with all WC units including a cistern and recessed flush button
- + Can be installed as a low-level WC with the addition of a low-level cistern and flush pipe



On pan, cistern & seat



On flush fittings



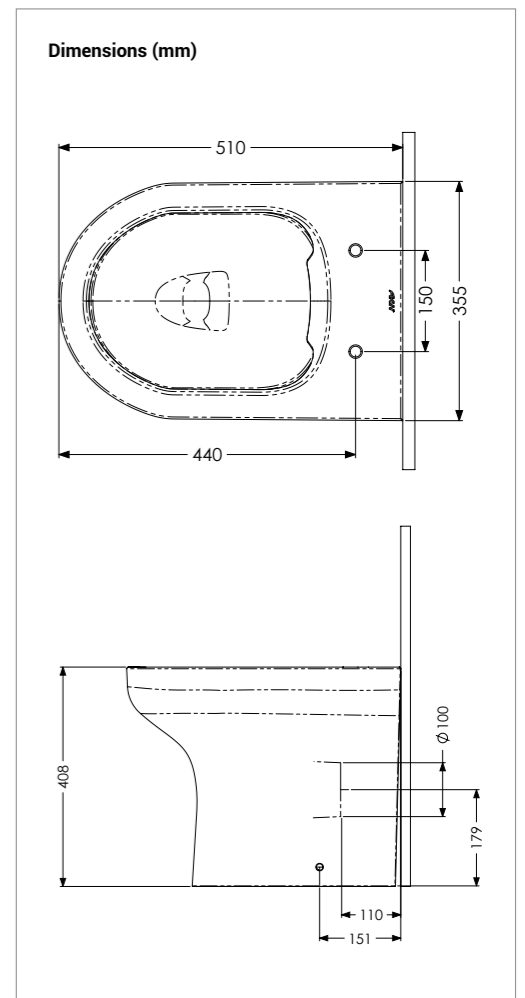
On cistern fittings



- + Low-level cistern offers full (6 litre) and reduced flush options to increase performance and water efficiency
- + Horizontal outlet waste connection for easy installation and maintenance
- + Includes easy-to-secure, two-point, side-entry floor fixings which reduce the build-up of dust and bacteria, are easy to clean, and are supplied with white cosmetic caps to prevent rusting
- + Supplied with fixing kit as standard
- + Pan, seat, concealed cistern (inc. flush mechanism) or low-level cistern (inc. flush mechanism) supplied separately; cistern and recessed push button flush are supplied with all AKW WC units within our bathroom furniture range
- + Components individually packaged in recyclable materials to prevent damage during transit

Product Codes

Navlin Standard-Height Back-to-Wall Toilet Pan	23572
Navlin Low-Level Cistern with Raised Push Button Flush & Flush Pipe	23549
Navlin Doc M Low-Level Cistern with Lever Flush & Flush Pipe	23559
Dudley Miniflo Cistern	28179
Carbamide Soft-Close Toilet Seat with Lid	23588
PP Soft-Close Toilet Seat with Lid	23589



For the raised-height version. See Navlin Doc M page 491.



Navlin Wall-Hung Toilet Pan

navlin

The Navlin wall-hung toilet pan has been designed to offer an ultra-minimalist bathroom aesthetic which features a rimless pan for increased hygiene.

A stylish soft-close seat as well as the Geberit Duofix Frame with Kappa Cistern, and Kappa Flush Plate are available separately.

AKW Navlin and Navlin Doc M sanitaryware ranges have been designed with compatibility in mind, allowing you to create a contemporary bathroom that expertly caters to a variety of needs.

Features & Benefits

- + Wall-hung pan offers a minimalist and modern aesthetic that creates the illusion of space and enables easier cleaning
- + Rimless toilet pan with direct flushing technique offers improved hygiene levels by reducing the build-up of bacteria and making cleaning easier
- + Pan can support up to 60st (400kg) to cater to a wide variety of users
- + Rounded edges and corners reduce the risk of injury in the event of a trip or fall
- + BS EN 997 approved toilet pan for guaranteed flush performance
- + Contemporary Carbamide plastic seat and lid can support up to 23.5st (150kg) and benefits from soft-close hinges which are slower, quieter, and safer for users
- + Designed for use with a concealed, wall-hung frame and integrated cistern which keeps unsightly pipework hidden for a streamlined look
- + Compatible with standard wall-hung frames
- + Horizontal outlet waste connection for easy installation and maintenance
- + Supplied with fixing kit as standard
- + Pan, seat, concealed cistern frame and flush plate supplied separately
- + Components individually packaged in recyclable materials to prevent damage during transit



On pan & seat



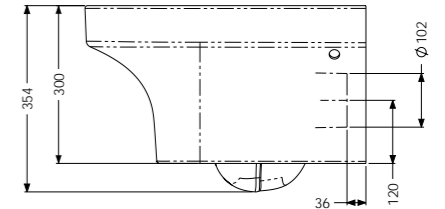
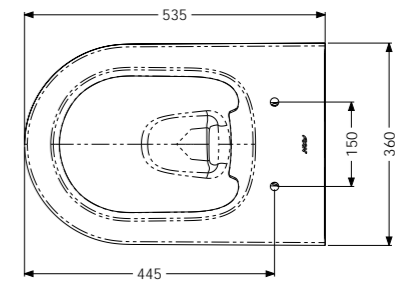
On flush fittings



Product Codes

Navlin Wall-Hung Toilet Pan	23573
Soft-Close Toilet Seat for Navlin Wall-Hung Pan	23645
Geberit Duofix Wall-Hung Frame & Kappa Cistern	23515
Geberit Flush Plate Chrome Kappa 20	23516
Geberit Flush Plate White Kappa 20	23517

Dimensions (mm)



i Is compatible with AKW Rise & Fall Cistern Unit (see page 415)

Sensor Flush

The Sensor Flush uses infrared sensors to detect motion above the cistern and flushes the toilet in response. This automatic function reduces the need for physical contact, which is not only more hygienic for the user but is also considerably easier for those with limited dexterity to operate.

Available separately, the sensor flush is compatible with Navlin and Livenza Plus cisterns with raised push-button flush operation and can be easily installed in place of the push button mechanism.



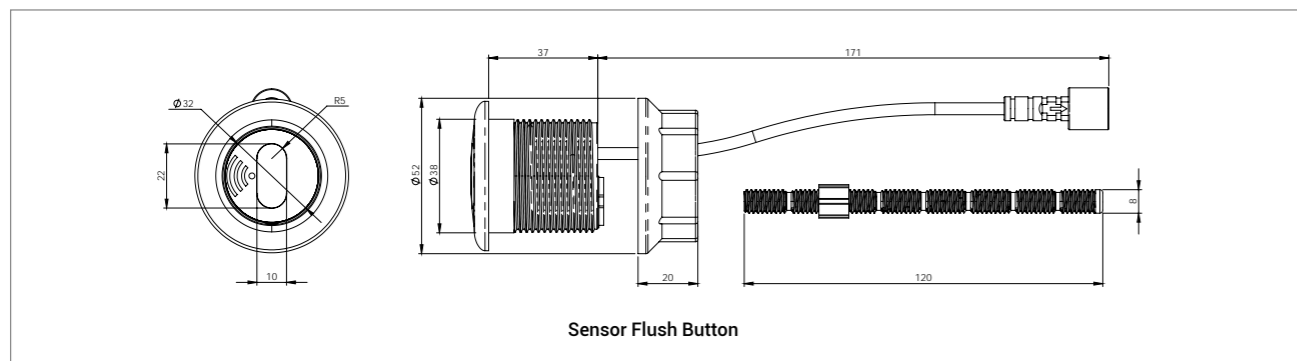
Features & Benefits

- + Infrared sensor detects movement and operates flush valve as required
- + Offers more hygienic, contact-free flushing compared to traditional lever or button flushes, making it ideal for use in multi-user environments
- + Hands-free operation can be utilised by those with limited dexterity, and can be easily used with a hand, closed fist or elbow
- + Infrared symbol on sensor indicates contact-free use
- + Sensor is located in the centre of the cistern lid for non-handed use
- + Low-depth external sensor is easy to clean with fewer crevices which could harbour dust, dirt and bacteria
- + Battery operated yet flush can still be used if the batteries expire, simply press down like a button flush



Product Codes

Navlin Cistern with Raised Push Button Flush	23574
Livenza Plus Cistern with Raised Push Button Flush	23902
Sensor Flush	28404



Navlin Wash Basin

navlin

From our Navlin collection of stylish sanitaryware comes a selection of wash basins with one or two tap holes, and a choice of semi or full-height pedestals.

AKW Navlin and Navlin Doc M sanitaryware ranges have been designed with compatibility in mind, allowing you to create a contemporary bathroom that expertly caters to a variety of needs.

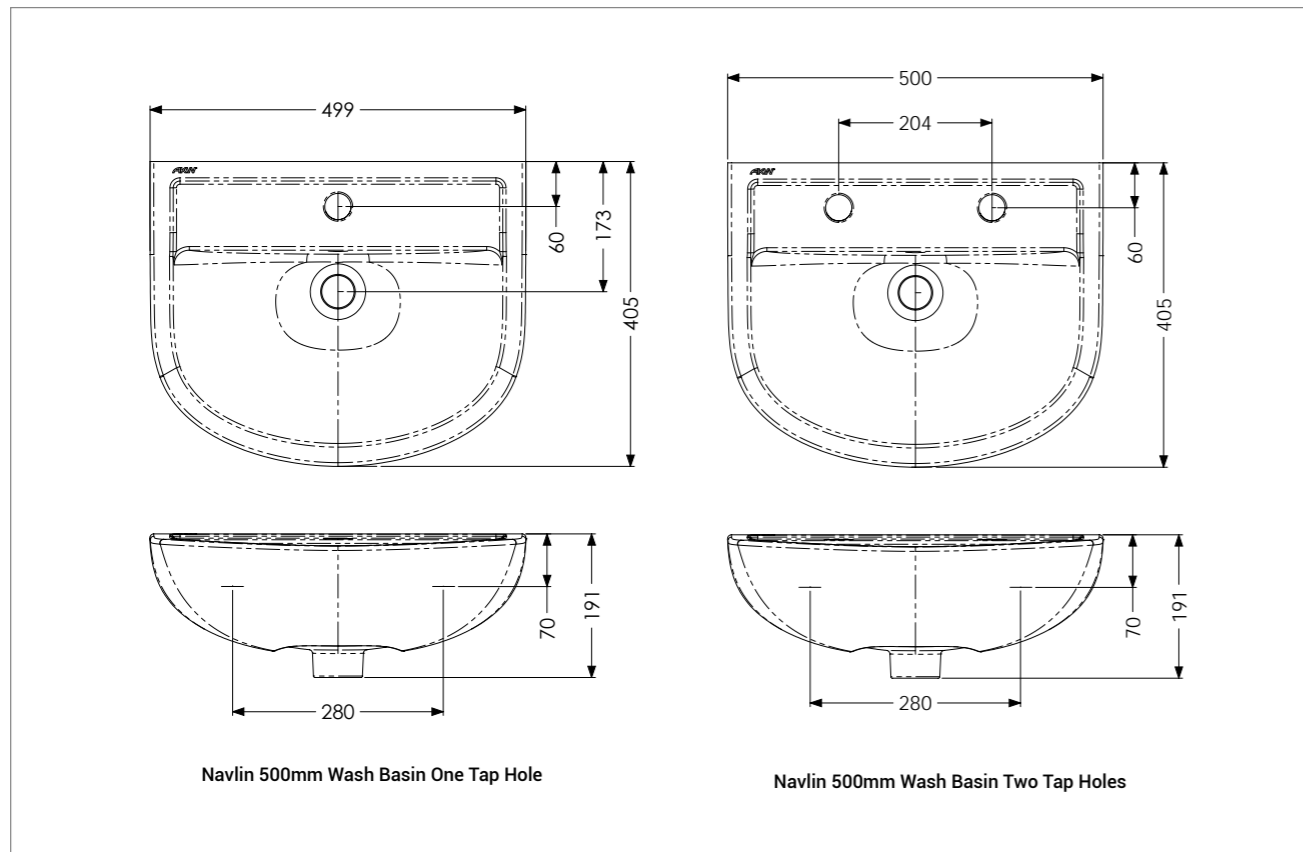
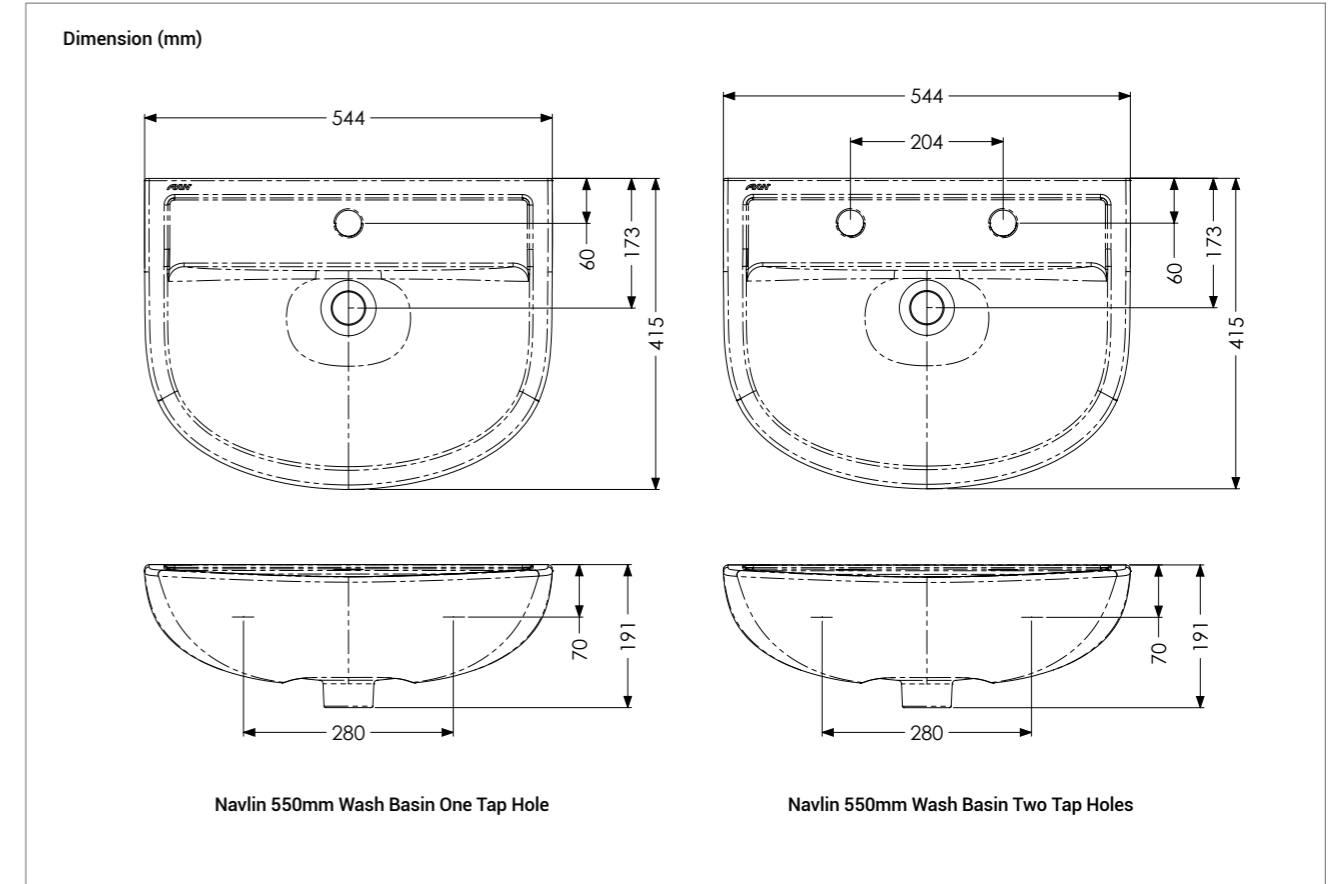
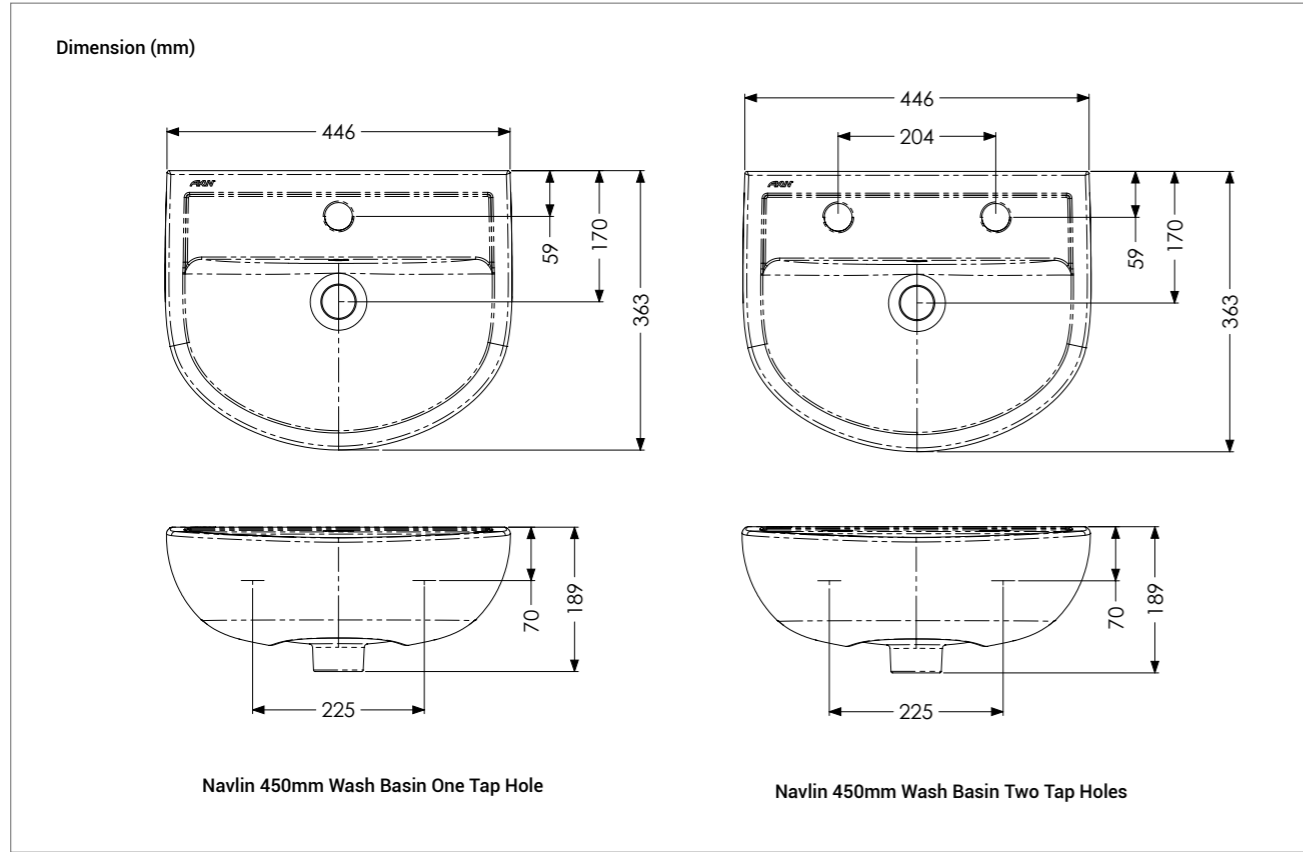
Features & Benefits

- + Available in three widths: 450mm, 500mm & 550mm
- + Contemporary yet functional design, with a level, easy-clean tap deck
- + Rounded edges and corners reduce the risk of injury in the event of a trip or fall
- + Choice of one or two tap holes, allowing for the use of basin or mixer taps
- + One tap hole basins allow for the use of either a clicker waste or a plug and chain waste plus anchor point option, both of which are available separately
- + Two tap hole basins feature a chain stay hole, with plug and chain waste available separately
- + Supplied with fixing kit as standard
- + For additional support, a wash basin bracket is available separately



Product Codes

Navlin Wash Basin 450mm 1 Tap Hole	23576
Navlin Wash Basin 500mm 1 Tap Hole	23578
Navlin Wash Basin 550mm 1 Tap Hole	23580
Navlin Wash Basin 450mm 2 Tap Hole	23577
Navlin Wash Basin 500mm 2 Tap Hole	23579
Navlin Wash Basin 550mm 2 Tap Hole	23581
Clicker Waste	23385
Plug and Chain Anchor Waste	18-003-032
Chrome Plated Brass Waste with plug and chain	13-009-030



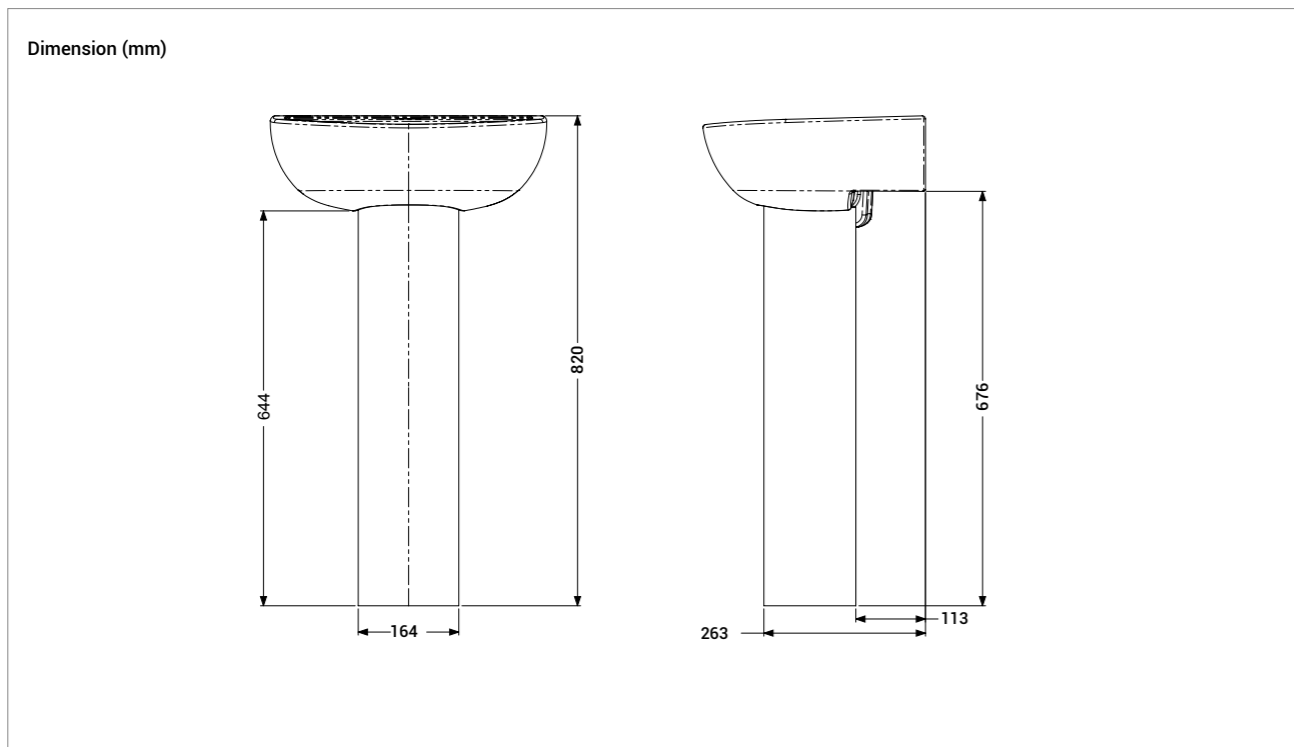
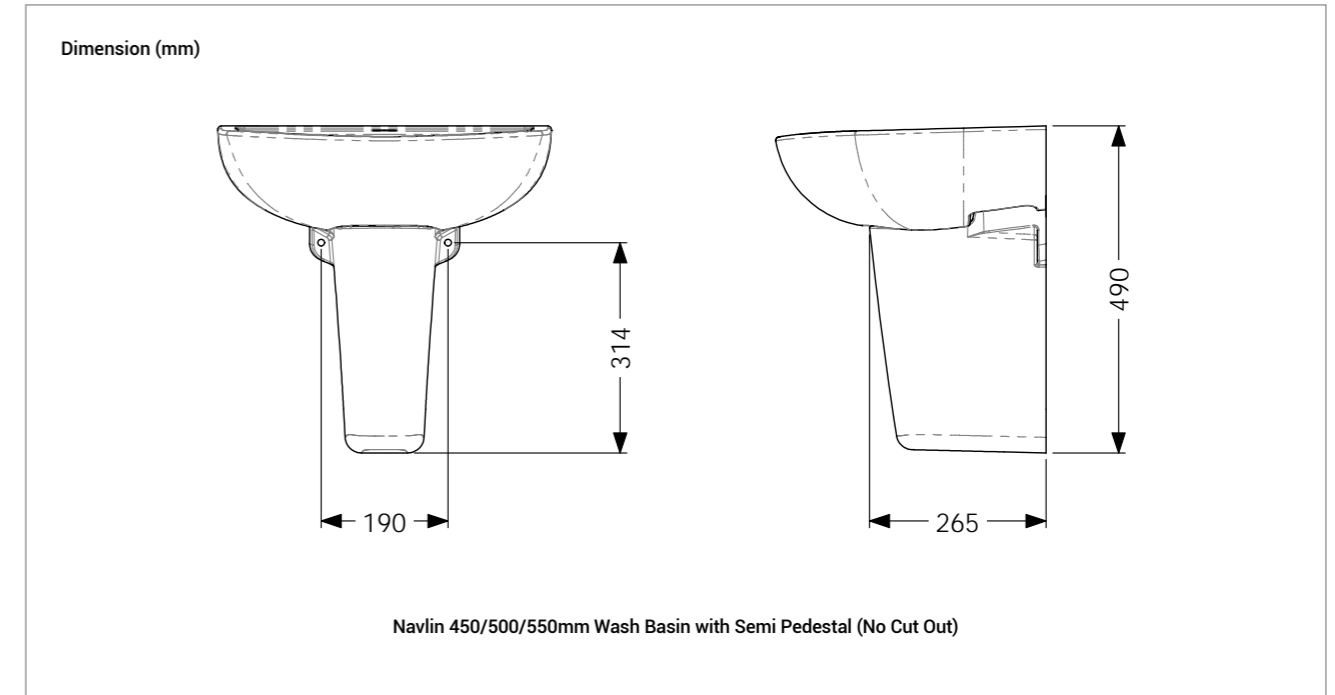
Navlin Wash Basin Pedestals

navlin

Pedestals

- + Choice of semi or full pedestal which perfectly complement the Navlin range of wash basins
- + Ultra-stylish semi pedestal design gives the illusion of greater space and allows for much easier cleaning, whilst also providing closer access for seated or wheelchair users
- + Fixing kit supplied with semi pedestal to provide ease of installation
- + Full pedestal design provides a more traditional aesthetic, offers greater stability, and cleverly conceals plumbing
- + Pedestal, waste and taps supplied separately
- + Components individually packaged in recyclable materials to prevent damage in transit

Navlin Semi Pedestal	23587
Navlin Full-Height Pedestal	23586
Navlin Semi Pedestal NC	23587NC



Navlin Corner Wash Basin

navlin

Designed to utilise space in a bathroom or washroom, the wall-mounted Navlin Corner Wash Basin features one tap hole and is finished with a stylish, curved front.

AKW Navlin and Navlin Doc M sanitaryware ranges have been designed with compatibility in mind, allowing you to create a contemporary bathroom that expertly caters to a variety of needs.

Features & Benefits

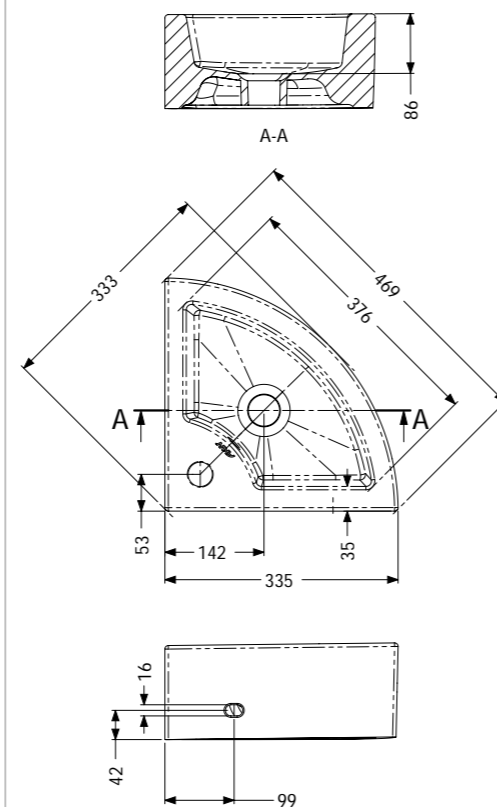
- + Compact corner design is ideal for bathrooms and washrooms with limited space
- + Level tap deck that is functional and easy to clean
- + Rounded edges and corners reduce the risk of injury in the event of a trip or fall
- + Wall-mounted installation gives the illusion of greater space and allows closer access for seated or wheelchair users, where possible
- + One tap hole, suitable for use with a mixer basin tap, compatible taps are available separately
- + Allows for the use of a clicker waste or plug with chain anchor waste, both of which can be purchased separately
- + Components individually packaged in recyclable materials to prevent damage in transit
- + Recommended for use with a 5 l/min flow limiter

Product Codes

Navlin Corner Wash Basin	23548
Clicker Waste	23385
Plug and Chain Anchor Waste	18-003-032



Dimensions (mm)



Livenza Plus Close-Coupled Pan and Cistern

The stylish Livenza Plus WC has been designed to complement any bathroom look; it also features a rimless toilet pan, fully compliant cistern, and offers a choice of seat options and offers a choice of seat and flush options.

Features & Benefits

- + A rimless toilet pan offers improved hygiene levels by preventing the build up of bacteria and making the pan easier to clean.
- + Rounded edges and corners minimise the risk of injury in the event of a trip or fall.
- + 3/6 litre flush options for increased performance and water efficiency.
- + Available with either a raised push button or lever flush, both of which ensure the WC can be easily operated by hand or with a closed fist or elbow.
- + Bottom inlet water entry to simplify pipework.
- + Cistern is fitted with a top-fill inlet valve that has an all round air gap which fully complies with the current water regulations.
- + Horizontal outlet for easy installation and maintenance.
- + Includes easy-to-secure floor fixings and matching white caps to prevent rusting.
- + BS EN 997 approved toilet pan for guaranteed flush performance.
- + Choice of two contemporary seat options, both featuring soft-close mechanisms which are slower, quieter and safer for users.
- + PP seat provides a stylish, lower-cost option; Carbamide seat is made from extra strong plastic, offering a tougher, more durable seat.
- + Pan, seat and cistern (inc. flush mechanism) supplied separately.
- + Overflow pipe has been increased to 300mm to fully comply with current water regulations.



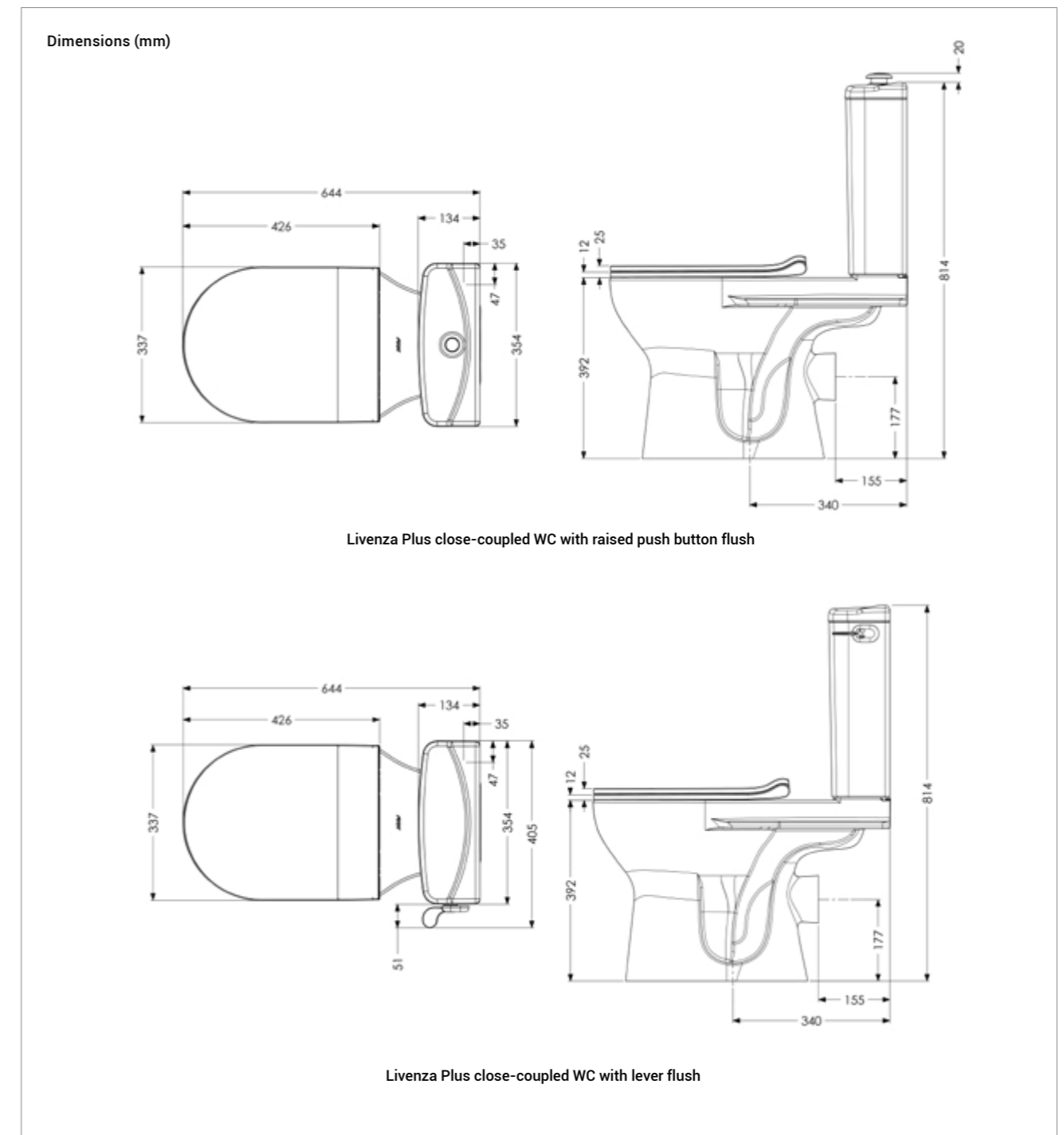
i Livenza Plus Seat Covers see **page 475**

Livenza Plus

Livenza Plus Close-Coupled Pan, Cistern & Seat (Technical Information)

Product Codes

Livenza Plus close-coupled WC (p trap)	23901
Livenza Plus cistern and raised push button flush mechanism	23902
Livenza Plus cistern and lever flush mechanism	23916
Carbamide Soft-Close Toilet Seat with Lid	23588
PP Soft-Close Toilet Seat with Lid	23589



Livenza Plus Basin

Livenza Plus wash basins are designed to be both practical and beautiful; available in three widths with the choice of semi or full pedestal to provide stability and conceal unsightly pipework.

Features & Benefits

- + Available in three widths: 450mm, 500mm & 550mm
- + Rounded edges and corners minimise the risk of injury in the event of a trip or fall
- + Choice of 1 or 2 tap holes, allowing for the use of basin or mixer taps
- + Contemporary yet functional design, with a flat tap deck providing a level surface which is easy to clean
- + 1 tap hole basins allow for the use of either a clicker waste, or plug and chain anchor waste, both of which are available to purchase separately
- + 2 tap hole basins feature a chain stay hole, with plug and chain anchor waste available to purchase separately

Product Codes

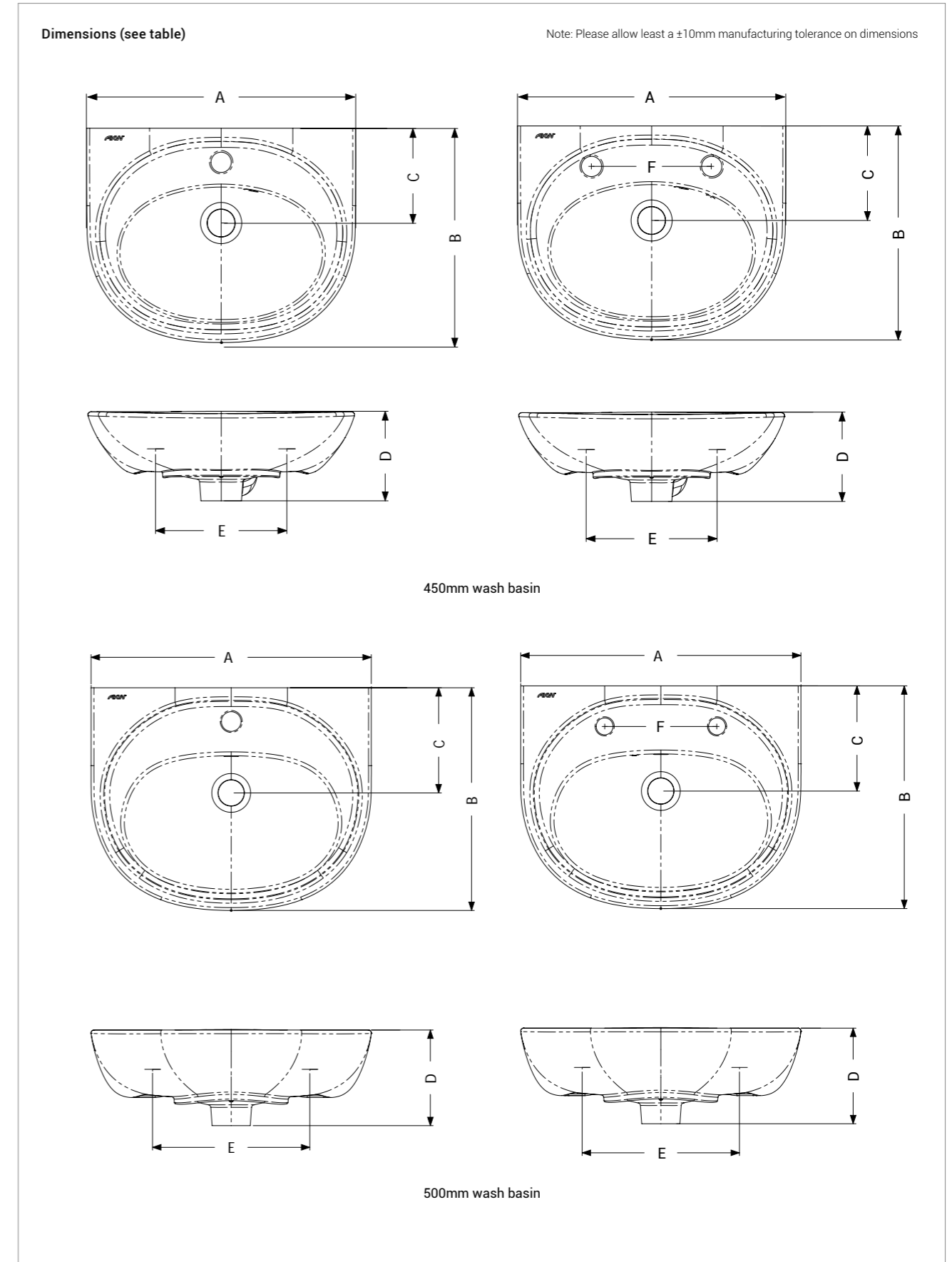
Livenza Plus wash basin 450mm 1 tap hole	23907
Livenza Plus wash basin 450mm 2 tap hole	23912
Livenza Plus wash basin 500mm 1 tap hole	23903
Livenza Plus wash basin 500mm 2 tap hole	23913
Livenza Plus wash basin 550mm 1 tap hole	23908
Livenza Plus wash basin 550mm 2 tap hole	23914
Clicker Waste	23385
Plug and Chain Anchor Waste	18-003-032
Chrome Plated Brass Waste with plug and chain	13-009-030



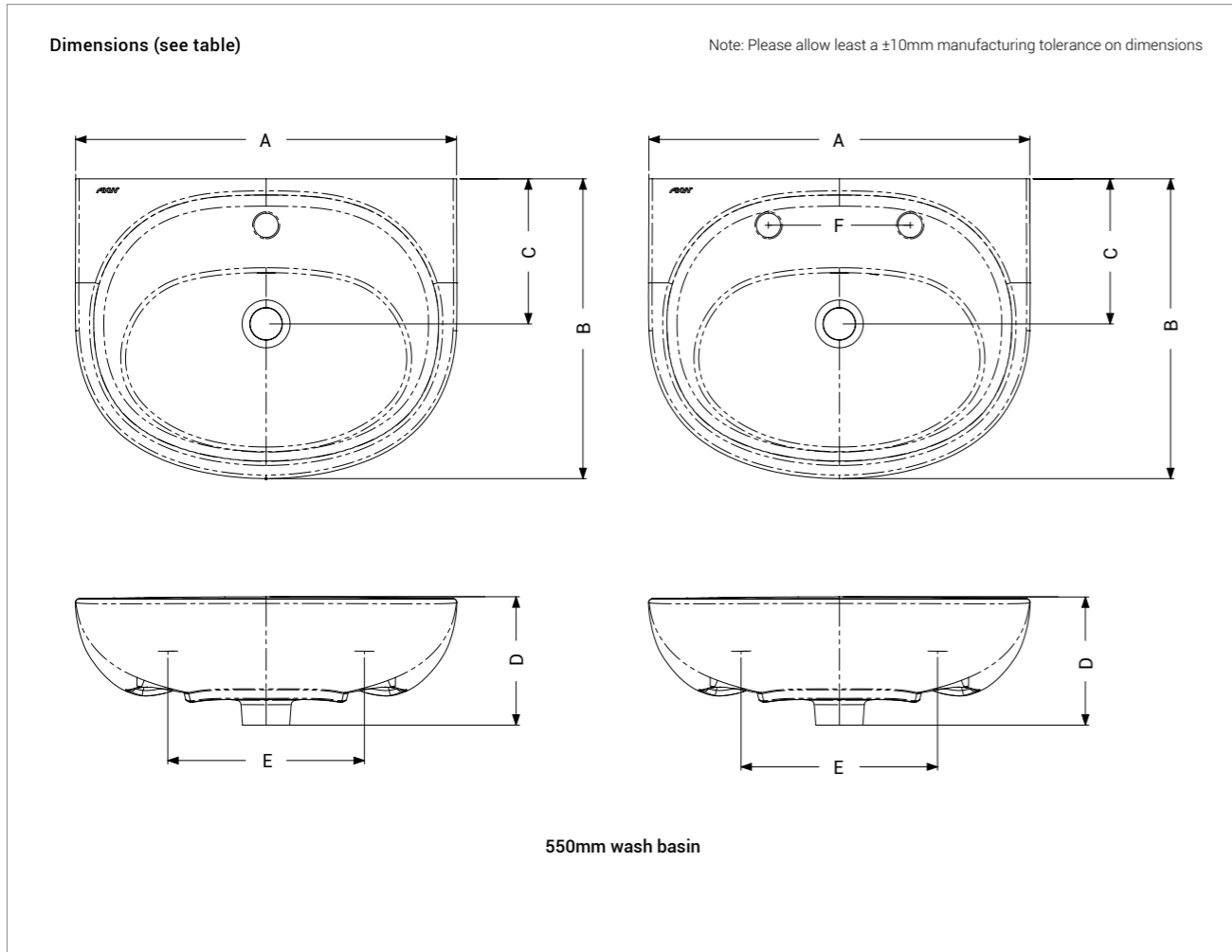
Livenza Plus



Livenza Plus Basin (Dimensions)



Livenza Plus Basin (Dimensions)



Product	Volume	A Width	B Depth	C Distance to waste	D Height	E Fixing holes	F Distance to taps
450mm basin 1 tap hole	1.7 Litres	450mm	365mm	160mm	150mm	220mm	n/a
450mm basin 2 tap hole	1.7 Litres	450mm	365mm	160mm	150mm	220mm	200mm
500mm basin 1 tap hole	2.8 Litres	500mm	395mm	185mm	170mm	280mm	n/a
500mm basin 2 tap hole	2.8 Litres	500mm	395mm	185mm	170mm	280mm	200mm
550mm basin 1 tap hole	4.5 Litres	550mm	430mm	185mm	185mm	280mm	n/a
550mm basin 2 tap hole	4.5 Litres	550mm	430mm	185mm	2185mm	280mm	200mm



Livenza Plus Pedestal

Features & Benefits

- + Choice of either semi or full pedestal which perfectly complement the Livenza Plus range of wash basins
- + Standard double-ended bolts supplied with the semi pedestal to provide ease of installation for competent tradespeople
- + Ultra stylish semi pedestal design gives the illusion of greater space, allows for much easier cleaning and convenience, whilst also providing closer access for seated or wheelchair users
- + Full pedestal design provides a more traditional aesthetic, offers greater stability, and cleverly conceals plumbing
- + Pedestal, waste and taps supplied separately

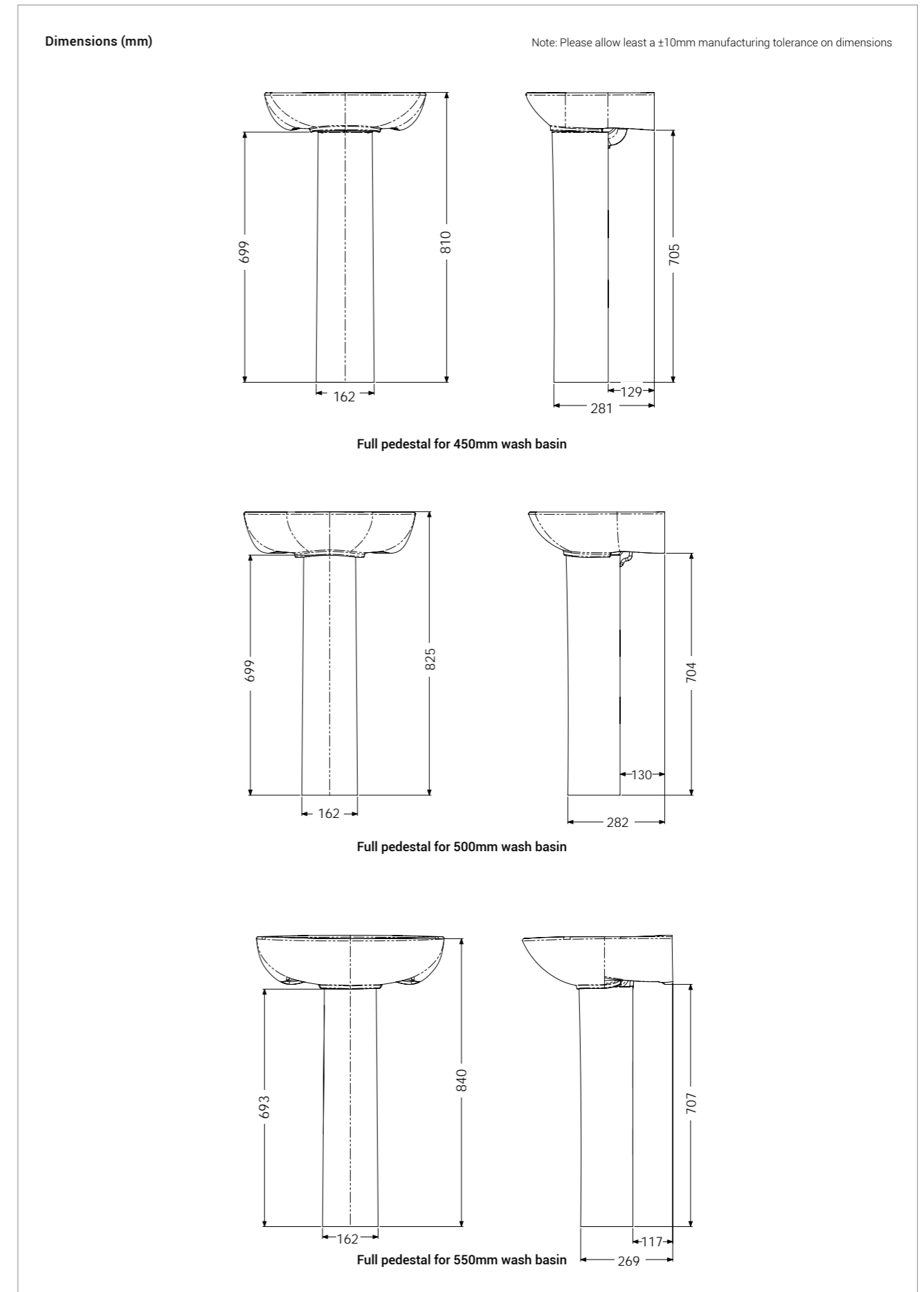
Product Codes

Livenza Plus semi pedestal	23915
Livenza Plus full pedestal	23909



Livenza Plus

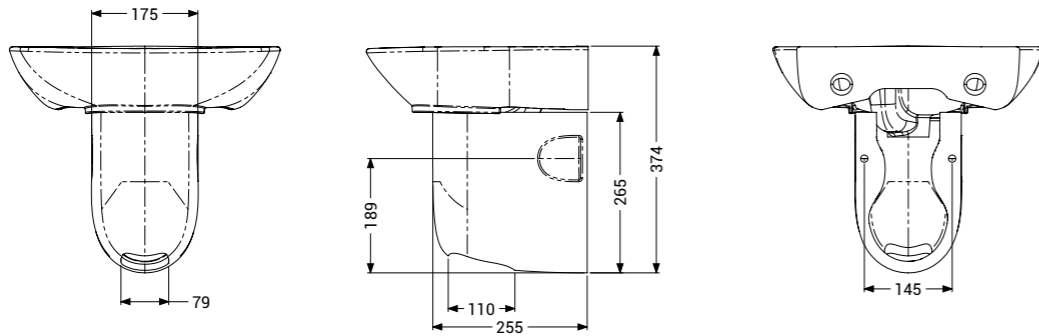
Livenza Plus Full Pedestal (Dimensions)



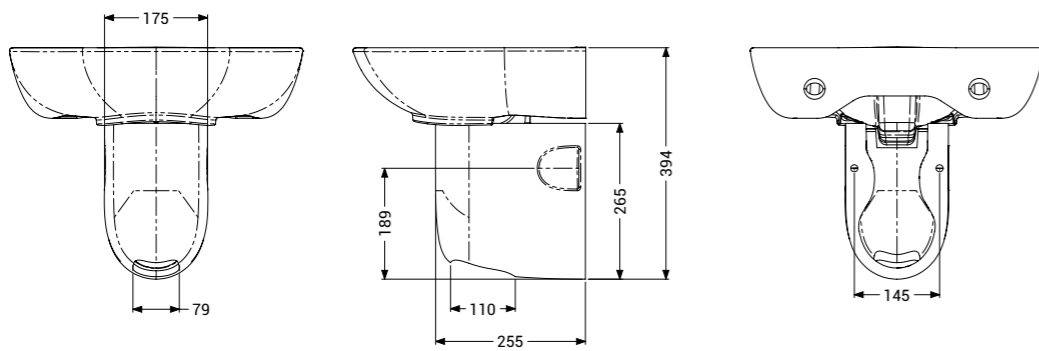
Livenza Plus Semi Pedestal (Dimensions)

Dimensions (mm)

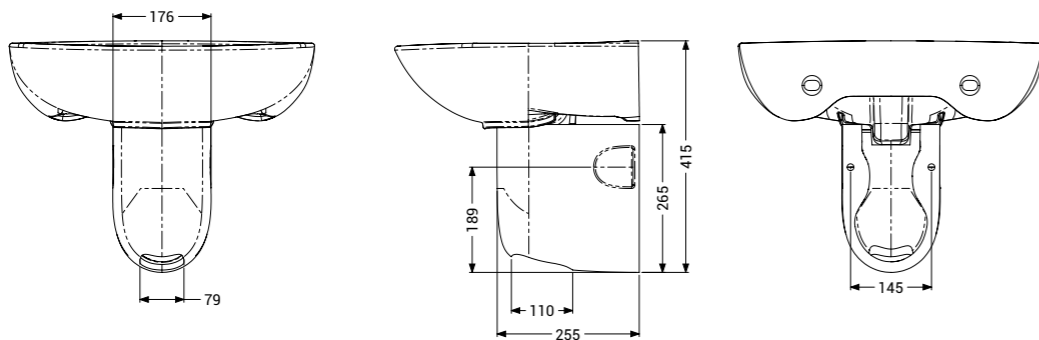
Note: Please allow least a ±10mm manufacturing tolerance on dimensions



Semi pedestal for 450mm wash basin



Semi pedestal for 500mm wash basin



Semi pedestal for 550mm wash basin

Livenza Standard Close - Coupled Toilet Pan, Cistern and Seat

Features & Benefits

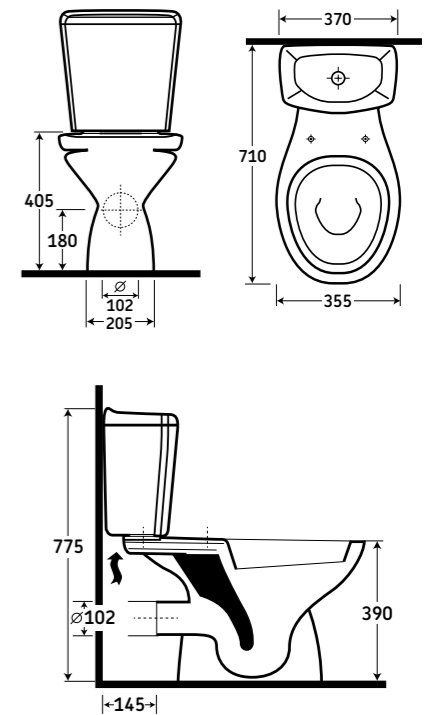
- + Rounded edges and corners for safety
- + 3/6 litre flush for water efficiency
- + Chrome push-button dual flush
- + Bottom inlet tank
- + Exposed outlet for easy fitting and maintenance
- + WRAS-approved flush fittings included
- + Complies with BS EN 997 ensuring flush performance
- + Matching wrap-over seat available
- + Lifetime guarantee against manufacturer's defects in ceramics
- + 10-year guarantee on flush fittings



Product Codes

Standard Close-Coupled Toilet Pan	23501
Cistern Tank for Close-Coupled Toilet Pan	23502
Seat for Close-Coupled Toilet Pan	23505

Dimensions (mm)



i Also see Toilet Waste Connectors – see page 556

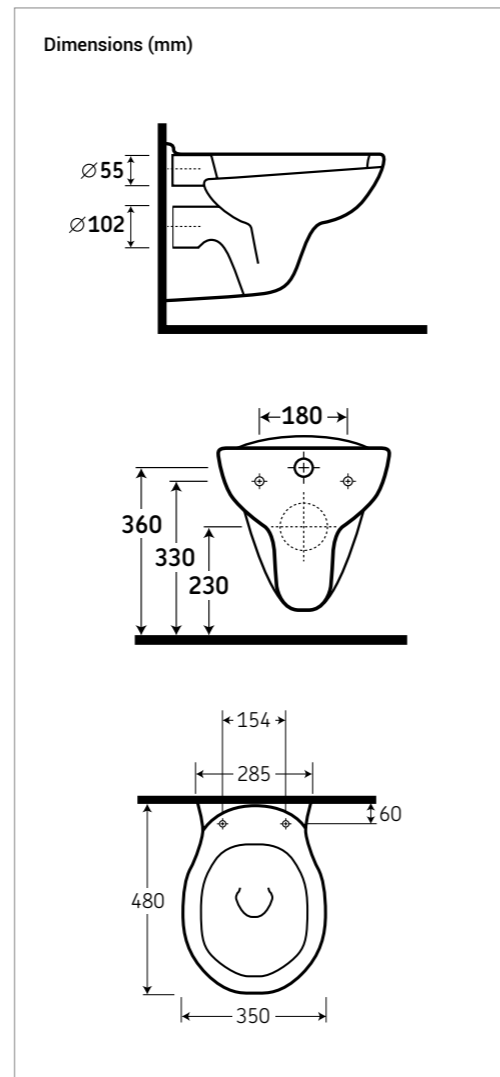
Livenza Standard-Height Wall-Hung Toilet Pan and Seat

Features & Benefits

- + Rounded edges and corners for safety
- + Standard 102mm diameter outlet for easy plumbing
- + Complies with BS EN 997 ensuring flush performance
- + Matching wrap-over seat available
- + Compatible with standard wall-hung frames
- + Market leading Geberit Wall-Hung Fixing (product code 23515) available (see [page 469](#))
- + Lifetime guarantee against manufacturer's defects in ceramics
- + 10-year guarantee on flush fitting
- + Not compatible with ergonomic toilet seat
- + Weight limited to 63 stone / 400kg

Product Codes

Livenza Wall-Hung Toilet Pan	23518
Seat for Livenza Wall-Hung Toilet Pan	23519



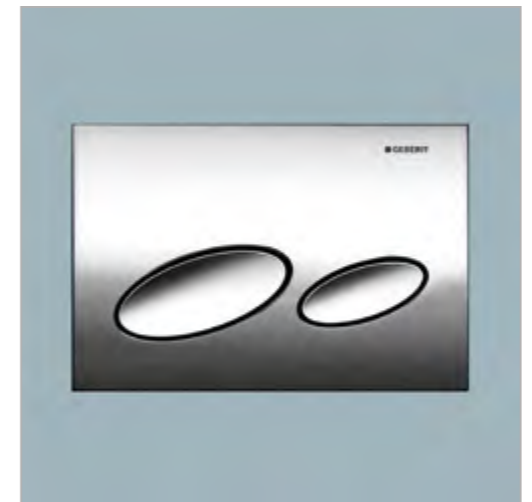
Geberit Kappa Duofix Wall-Hung Frame and Cistern

Features & Benefits

- + Can be used in front of solid or drywall construction
- + Self-supporting frame with C profile 40 / 40mm
- + Geberit Kappa concealed cistern for tool-free mounting and fully insulated against condensation
- + Frame height adjustable from 820-1020mm
- + Flush valve allows for 3/6 litre or 3/4.5 litre flush

Product Codes

Geberit Duofix Wall Hung Frame and Cistern	23515
Geberit Flush Plate Chrome Kappa 20	23516
Geberit Flush Plate White Kappa 20	23517



Livenza Wash Basin

Features & Benefits

- + Available in three widths: 450mm, 500mm and 550mm
- + Rounded edges and corners for safety
- + Single and double tap holes available on all sizes
- + Chrome overflow insert
- + No chain-stay to allow use of clicker waste or plug and chain anchor waste
- + Chain-stay hole on two tap hole basins
- + Matching full or semi pedestal available
- + Waste, taps and pedestal supplied separately

Basins:	A	B	C	D	E	Volume	Code:
450 Basin (1 tap hole)	450	365	165	140	220	2 litres	23507
450 Basin (2 tap holes)	450	365	165	140	220	2 litres	23512
500 Basin (1 tap hole)	500	395	185	155	280	2.5 litres	23503
500 Basin (2 tap holes)	500	395	185	155	280	2.5 litres	23513
550 Basin (1 tap hole)	550	430	205	170	280	4.5 litres	23508
550 Basin (2 tap holes)	550	430	205	170	280	4.5 litres	23514

Product Codes

Small Livenza Semi Pedestal (suitable for 450mm and 500mm wash basins)	23504
Large Livenza Semi Pedestal (suitable for 550mm wash basins)	23511
Full Livenza Pedestal	23510
Plug and Chain Anchor waste	18-003-032
Clicker waste	23385
Basin 1 and 1/4 inch 32mm Bottle Trap White	08-006-040
Chrome Bottle Trap	08-006-038
Chrome-Plated Brass Waste with Plug	13-009-030

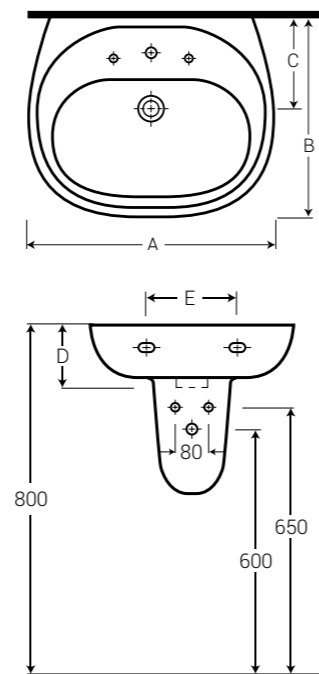


Semi Pedestal



Full Pedestal

Dimensions (mm)



Onyx Ergonomic Wash Basin with Grab Handles

Features & Benefits

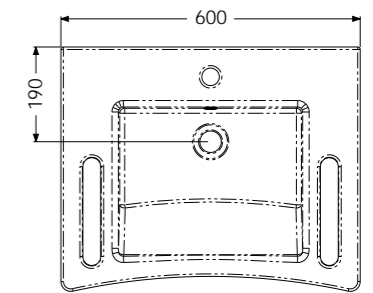
- + Concaved front to allow closer access to basin and taps
- + Ergonomic easy-grip handle for support and stability
- + Contemporary synthetic stone design
- + Easy-clean surface
- + Designed with strength in mind
- + One centred tap hole
- + Bowl capacity: 5 litres
- + Lifetime warranty
- + Tested to a maximum load of 23.5 stone / 150kg
- + Allows a wheelchair user more accessibility
- + Handles provide support for users in the bathroom
- + Wheelchair users can pull themselves towards the wash basin
- + Clicker waste available separately
- + Hand Grip Supports 600x490x140mm

Product Codes

Ergonomic Wash Basin with	11870-LS
Clicker Waste	23385



Dimensions (mm)



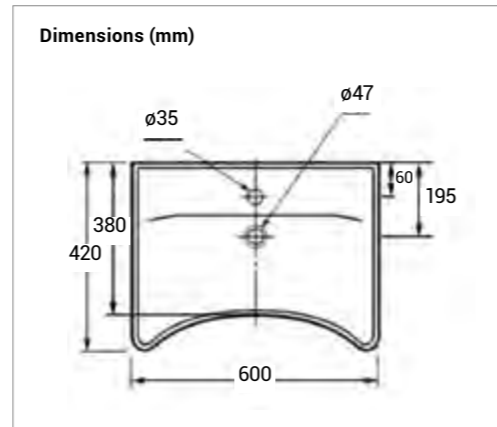
Ergonomic Concave Doc M Wash Basin

Features & Benefits

- + Ergonomically designed for wheelchair, walking frame or perching stool users
- + Concaved front for closer access to basin and taps
- + 600mm (w) x 420mm (d)
- + Supplied with plug and chain
- + Includes waste trap and shroud as standard
- + Semi and full pedestal options available
- + Volume capacity: 3 litres
- + Supplied with a plug and chain

Product Codes

Ergonomic Concave Doc M Wash Basin (with Semi Pedestal)	23115
Ergonomic Concave Doc M Wash Basin (with Full Pedestal)	23115-FP



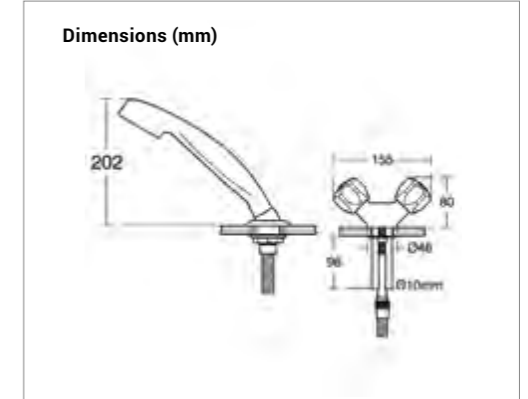
Salonex Hairdresser Basin

Features & Benefits

- + Two tapholes, no chainstay hole or overflow, hairdressers basin mixer, waste, trap and support brackets provided
- + The curved design has been created for a comfortable hair washing experience
- + Two tap holes are provided at 200mm centres
- + The two tap holes facilitate easy installation of a mixer tap plus a small handheld shower
- + Suitable for a care home setting / health & welfare centres
- + Wall-mounted installation
- + Manufactured from Vitreous china
- + Vitreous china to BS 3402
- + Colour: White finish
- + Metal and Plastic Bottle Traps
- + Salonex Basin and Mixer Kit includes: Salonex Hairdresser Basin, Hairdresser Mixer & Kit, 1.25 inch Waste with Life Grid, 1.25 inch x 75mm Seal Bottle Trap, Salonex Alloy Brackets

Product Codes

Hairdresser Basin and Mixer Kit	23569
---------------------------------	--------------



Wash Basin Fixing Brackets

Features & Benefits

- + Made from stainless steel for durability
- + Choice of three size brackets to provide a solution for most sizes of wash basin
- + This product gives more flexibility on install as it has twelve fixing holes on the 220mm and 280mm bracket and thirteen fixing holes on the adjustable bracket
- + The extra fixing holes make it easier to execute a secure installation as the load is distributed
- + Welded bolts attached to the bracket enable easy mounting of the wash basin (see illustrations below)
- + The studs have M8 threads, nuts not supplied

Product Codes

Wash Basin Wall Mounting Bracket 220mm	23921
Wash Basin Wall Mounting Bracket 280mm	23922
Wash Basin Adjustable Wall Mounting Bracket	23923
AKW Sanitaryware Basin to Wall Fixing Kit	23897
AKW Sanitaryware Cistem to Wall Fixing Kit	23894



PP & Carbamide Toilet Seats

Soft-close plastic seat covers designed for use with Navlin and Livenza Plus sanitaryware.

Features – PP Seat

- + Soft-close mechanism which is slower, quieter and safer for users
- + Manufactured from polypropylene for strength
- + Stylish, cost-effective solution
- + Available in white

Features – Carbamide Seat

- + Soft-close mechanism which is slower, quieter and safer for users
- + Manufactured from extra strong urea, offering a tougher, more durable seat
- + Stylish solution

Product Codes

PP plastic seat cover with soft-close hinges	23589
Carbamide plastic seat cover with soft-close hinges	23588



i Compatible with Livenza Plus sanitaryware – see **page 458**

i Compatible with Navlin, Livenza Plus and Doc M toilet pans

Ergonomic Toilet Seat

Features & Benefits

- + Strong metal hinges and seat lugs provide extra stability, ensuring safe and secure side transfers to/from wheelchairs
- + Ergonomic, shaped seat design is contoured for maximum user comfort
- + Can be installed on existing toilet pans
- + Available in white, blue, dark blue and mid-grey, with darker colours offering sufficient contrast for visually impaired users or those with dementia
- + Available with or without a lid
- + Soft-close hinges are slower, quieter, and therefore safer for users
- + Easy to install and maintain
- + Weight limited to 47st / 300kg

Product Codes

Ergonomic Toilet Seat with Lid – White	23122
Ergonomic Toilet Seat without Lid – White	23123
Ergonomic Toilet Seat with Lid – Blue	23124
Ergonomic Toilet Seat without Lid – Blue	23125
Ergonomic Toilet Seat with Lid – Dark Blue	23124DB
Ergonomic Toilet Seat without Lid – Dark Blue	23125DB
Ergonomic Toilet Seat with Lid – Mid Grey	23124MG
Ergonomic Toilet Seat without Lid – Mid Grey	23125MG



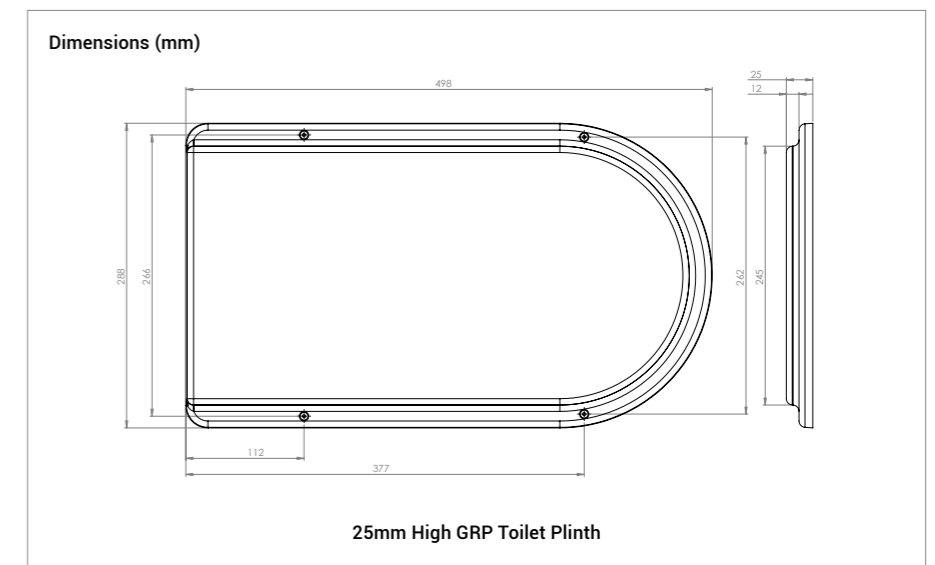
Toilet Plinth

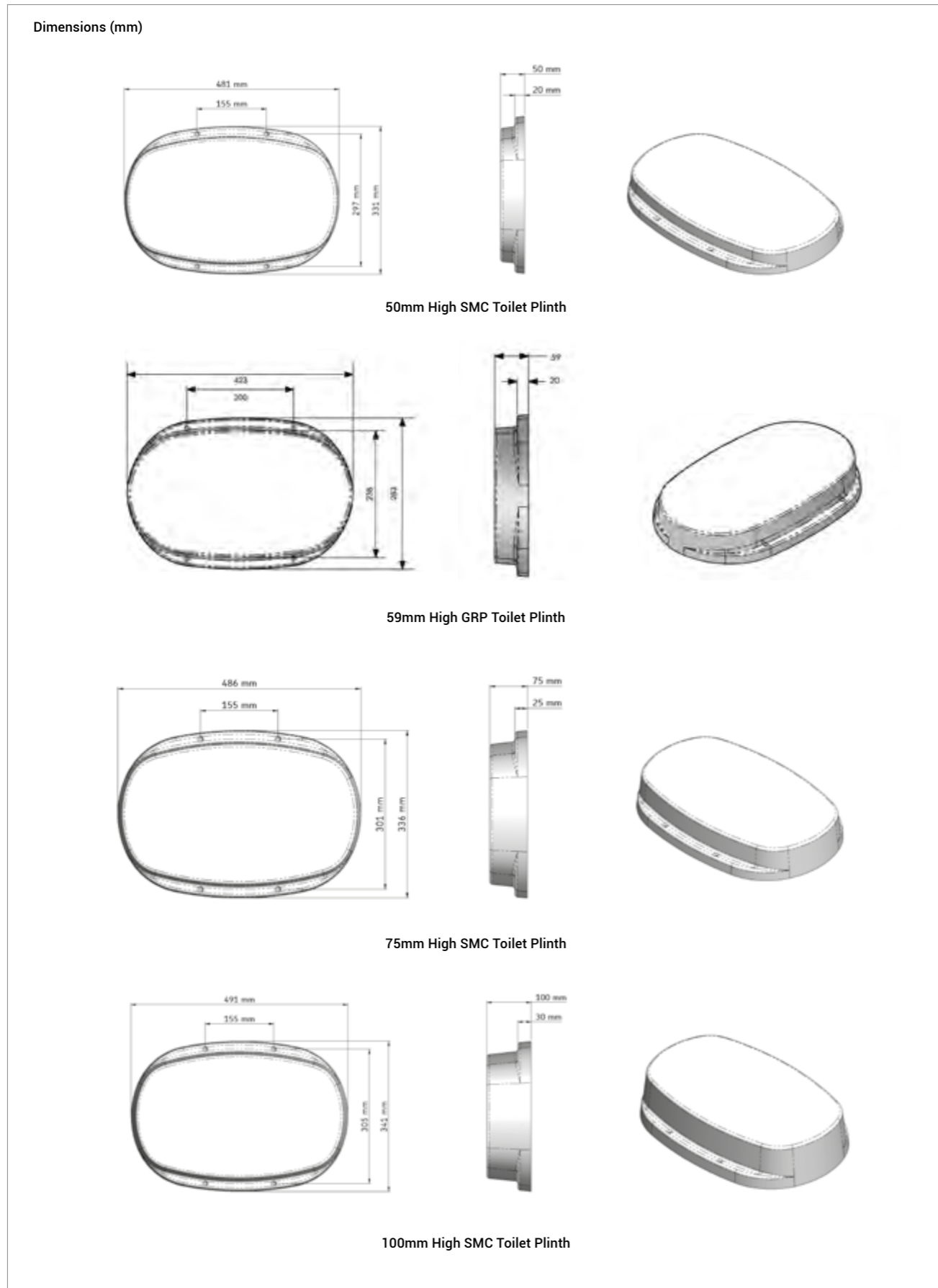
Features & Benefits

- + White
- + Raises heights of existing toilet pans for easy access and side transfer

Product Codes

25mm High GRP Toilet Plinth	25048
38mm High GRP Toilet Plinth	25045
50mm High GRP Toilet Plinth	25075
50mm High SMC Toilet Plinth	25042S
59mm High GRP Toilet Plinth for Livenza Plus	23924
75mm High SMC Toilet Plinth	25044S
100mm High SMC Toilet Plinth	25043S







Brassware

AKW's brassware collection is easy to install, easy to use and comes with a product lifetime guarantee, giving you timeless style and total piece of mind.

Lever Wash Basin Taps (Pair)

Features & Benefits

- + Stylish chrome finish
- + The 50mm lever design provides a smooth and controlled 90° turn operation (easy to operate with a hand or an arm, for users with limited dexterity)
- + Easy and quick installation
- + Coloured temperature indicator ring on taps
- + Minimum working pressure 0.2 bar

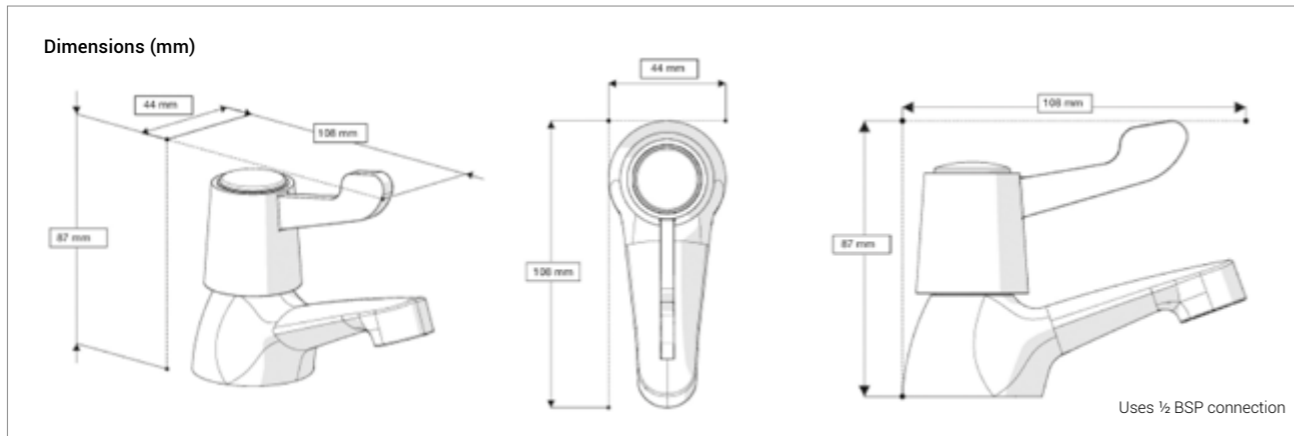
Product Code

Lever Wash Basin Taps (Pair)

23196CH



i See Flexi Hoses in Plumbing section **page 552**



AKW Denova® Wash Basin Taps (Pair)

Features & Benefits

- + 1/2" quarter turn
- + 5l/m flow limiter
- + Colour temperature indicator on handles

Product Code

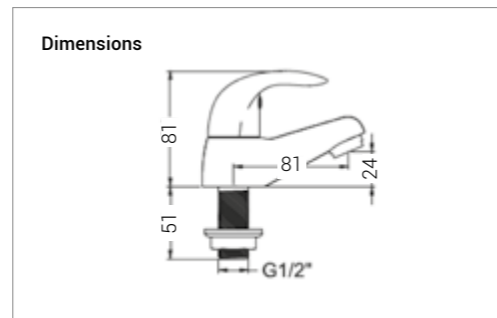
AKW Denova® Wash Basin Taps (Pair)

23189



i See Flexi Hoses in Plumbing section **page 552**

i For matching bath taps see Bath and Bath Accessories **page 389**



Dual Lever Mono Mixer Basin Tap

Easy to use dual lever mono mixer basin tap is a chrome finish

Features & Benefits

- + Suitable for all UK Water Authority supply pressures
- + Quarter turn
- + Stylish chrome finish
- + Temperature indicator ring on head of taps
- + Lever design
- + Conforms to the relevant standards and regulations
- + Ease of use for those with limited finger dexterity
- + Aesthetically pleasing and ideal for the modern-day bathroom
- + The top of the tap has a coloured temperature indicator ensuring the end user is aware of the expectant water temperature and reducing the possibility of unforeseen heat on the skin
- + The lever design provides a smooth and controlled 90° turn operation which is easy to operate with hand or arm even if the user has limited dexterity

Specifications

Colour: Chrome

Suitable for: Hot/Cold water

Pop up plug included

Material: Zinc and Brass

Quantity: 1

Item Weight: 0.7kg

Operating Temperature: 0° to 80°

Max Operating Pressure: 20 Bar

Ceramic cartridge

Everything depicted above is included

Product Code

Dual Lever Mono Mixer Basin Tap

23198



Peg Lever Basin Taps

Stylish chrome-plated peg lever basin taps offers a classic yet contemporary finish to any bathroom suite.

Features & Benefits

- + Classic design
- + Polished chrome finish
- + Engineered for long life and service
- + Easy to service and maintain
- + Peg levers make it simple to operate

Product Codes

Peg Lever Basin Taps (Pair)

30822

Specifications

Colour / Finish: Chrome plated

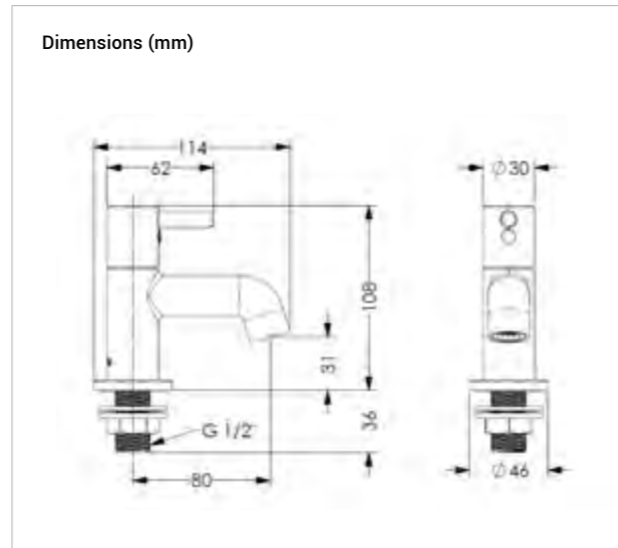
Ceramic Disc Technology

Controls: Peg Lever zinc handles

Material: Brass Internals

Pressure requirements – Min: 0.2 Bar

WRAS approved



Excludes limescale



i See Flexi Hoses in Plumbing section **page 552**

TMV3 Thermostatic Wash Basin Mixer Tap

The TMV3 thermostatic mixer tap has an extended lever for easy operation using a closed fist or elbow.

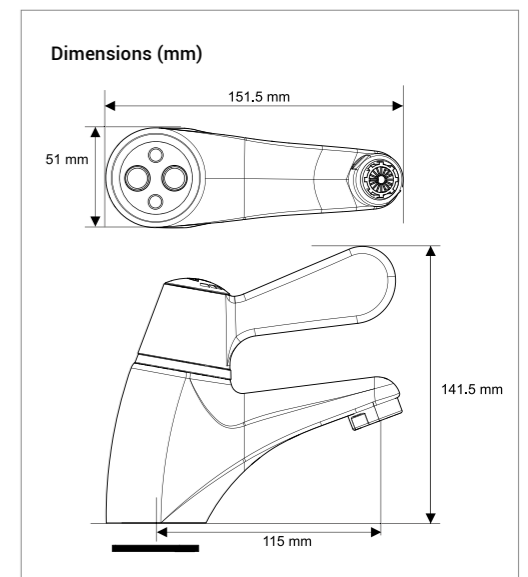
Features & Benefits

- + TMV3 approved to prevent scalding
- + Integrated mixer valve for improved hygiene
- + Polished chrome finish
- + Lever 80mm

Product Code

Thermostatic Wash Basin Mixer Tap

23116A



AKW Denova® Mono Wash Basin Mixer Tap

Features & Benefits

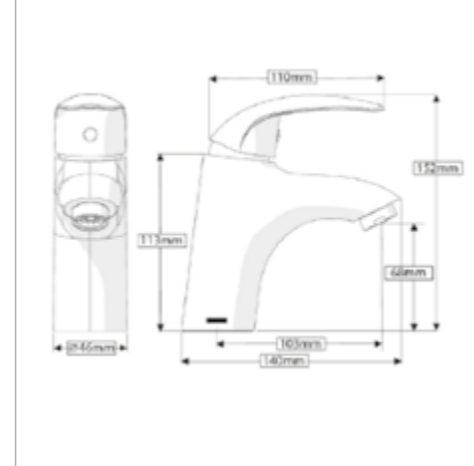
- + 35mm eco cartridge
- + Flexible hose
- + Chrome-plated brass clicker waste
- + 5 l/m flow limiter

Product Code

AKW Denova Basin Mono Mixer Tap (inc. Clicker waste)	23316
AKW Denova Basin Mono Mixer Tap (no waste)	23388



Dimensions (mm)



i For matching bath taps see Bath and Bath Accessories page 389

i See Flexi Hoses in Plumbing section page 552

Monobloc Spray Wash Basin Mixer Tap

Features & Benefits

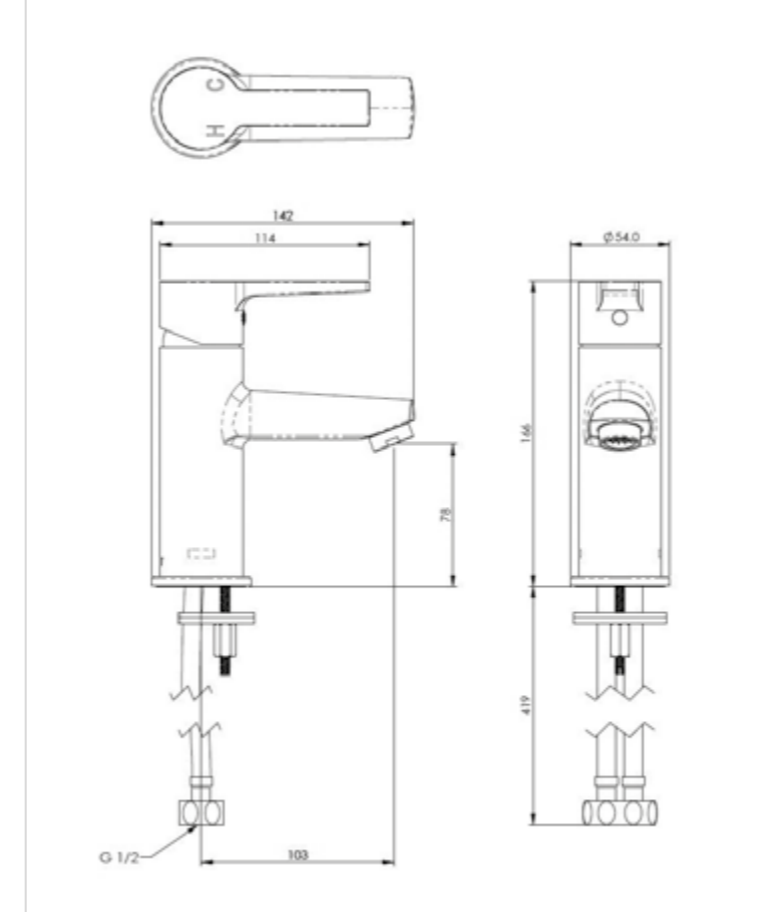
- + Polished chrome finish
- + Easy to install
- + User-friendly, long handle (lever 70mm)
- + Flexible hose

Product Code

Monobloc Spray Wash Basin Mixer Tap	23118
-------------------------------------	-------



Dimensions (mm)



i For matching bath taps see Bath and Bath Accessories page 389

Product Code

½" Dual Lever Mono Mixer Basin Tap	23198
------------------------------------	-------



TMV2 and TMV3 Thermostatic 15mm and 22mm Blending Valve

Where vulnerable users are present, our thermostatic blending valves deliver safe, blended hot water to taps, showers, bidets and other water outlets, making it suitable for use in care and domestic environments.

Features & Benefits

- + 15 or 22mm blending valve
- + Easy to install
- + Integral check valves and strainers
- + Building regulations Part G compliant
- + Highly resistant to scaling (TMV2 and TMV3 approved)
- + Tamper-resistant head
- + 12-month warranty against manufacturing defects



NHS estates: BS7942:2000
BS EN1111 & BS EN1287:1999



Against manufacturing defects

Product Codes

15mm Thermostatic Blending Valve	23382
22mm Thermostatic Blending Valve	23383

Chrome Plated Brass Waste with plug

Product Code

Chrome Plated Brass Waste with plug

13-009-030



Clicker waste

Product Code

Clicker Waste

23385



Plug and Chain Anchor with Waste

The chain stay anchors on to a basin tap rather than requiring sanitaryware with a moulding fixture. It is compatible with all of our sanitaryware.

Features & Benefits

- + Chain anchor point that fixes to taps
- + Traditional Black Plug and Ball Link Chain
- + The plug and chain anchor fits all basins, rather than only basins with a built-in anchor point
- + Research suggests using a traditional plug and chain waste is more dementia friendly

Product Code

Plug and Chain Anchor with Waste

18-003-032



i For Basin Traps see Plumbing Fittings **page 475**

Doc M

AKW offer numerous different Doc M packs, allowing you to make the right choice for the space available and the needs of the building's users. Each pack has been designed for maximum comfort, ease-of-use, and comes with recommendations for how and where products should be installed to ensure compliance.

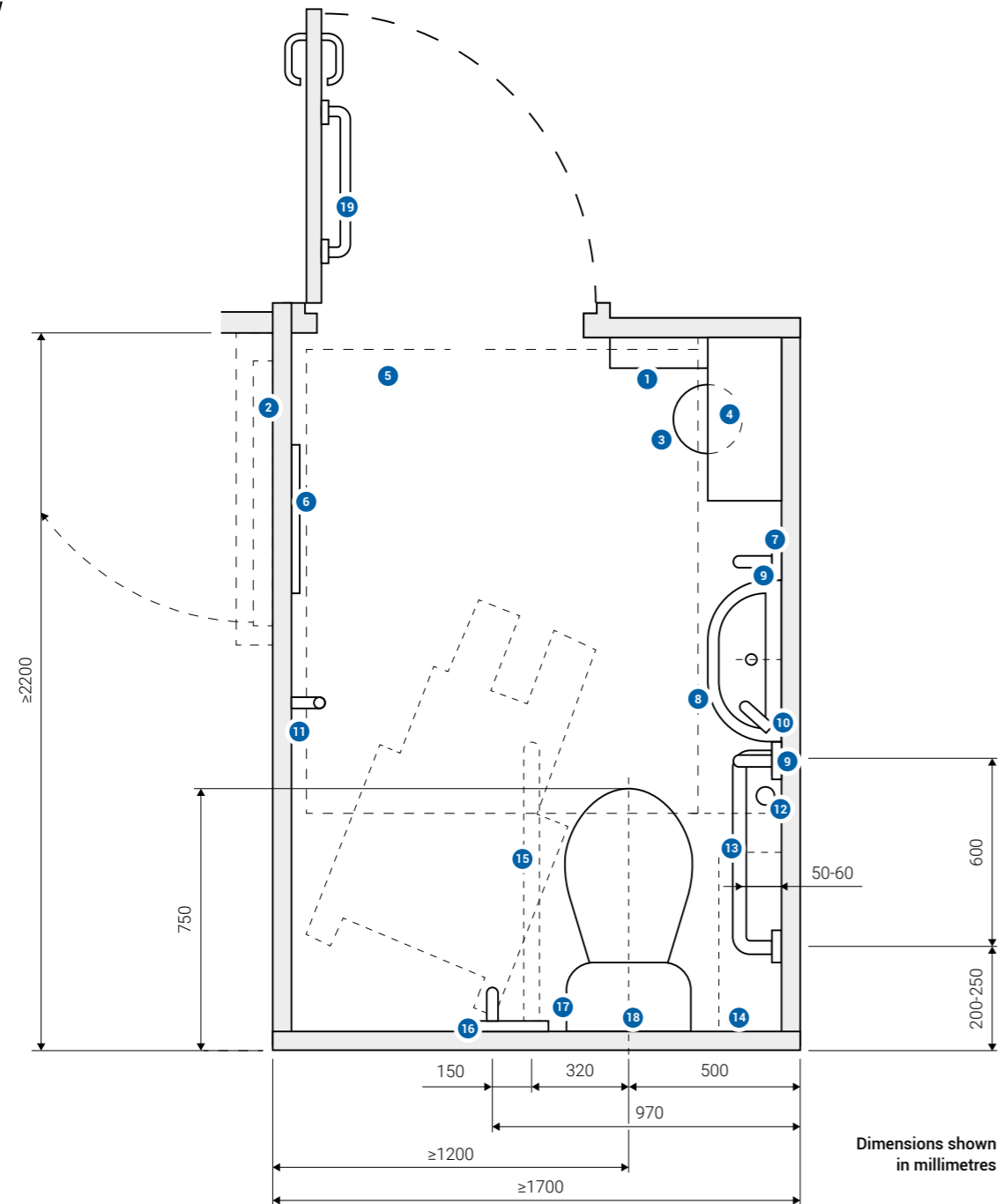
Download our Doc M brochure here:

Doc M



Close-Coupled, Standard, or Low-Level Doc M Packs 1-8

Plan View



Dimensions shown in millimetres

Key

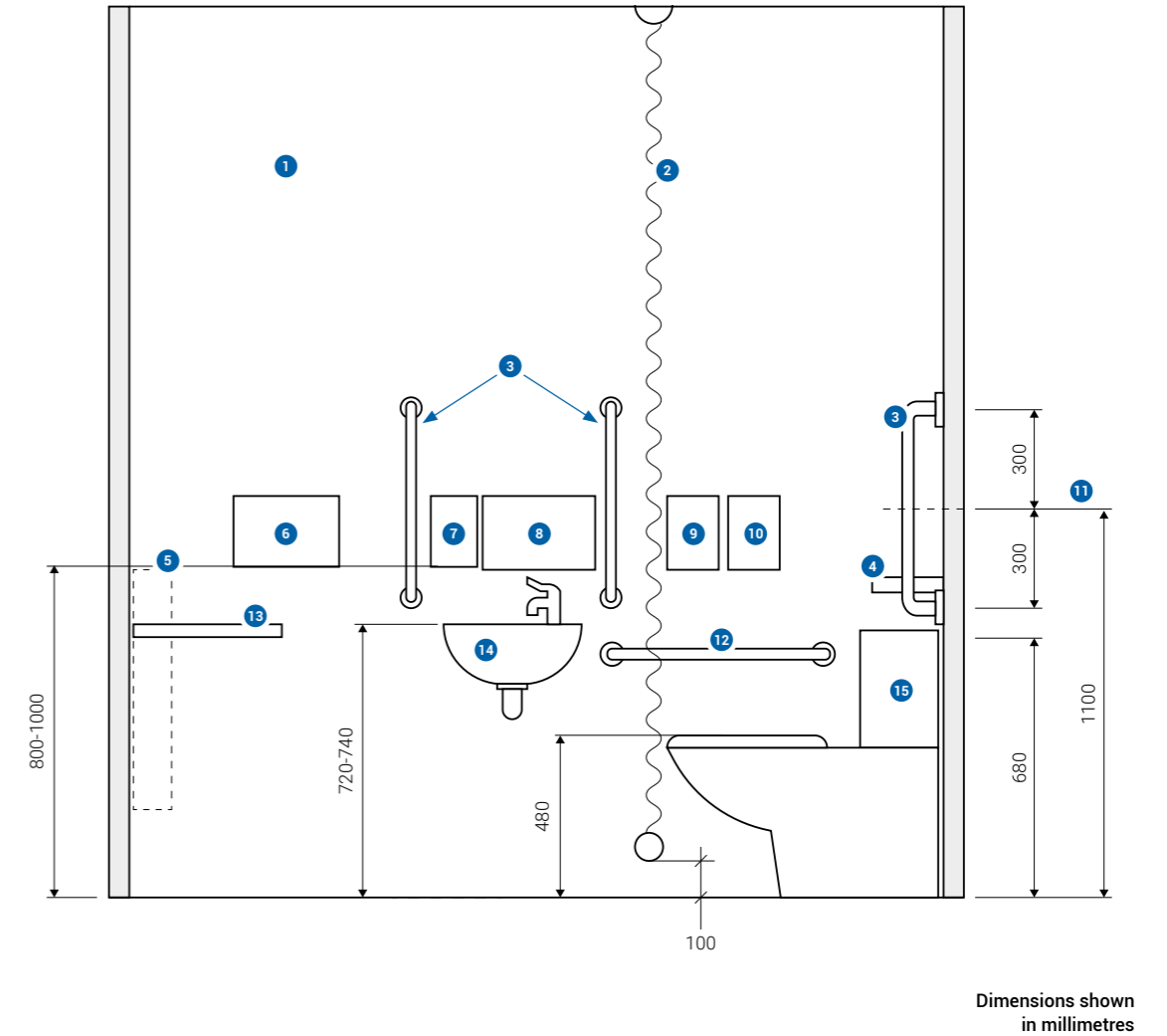
- | | | |
|--|---|--|
| 1. Sanitary dispenser | 8. Wash basin, this should project no further than 250mm from wall | 14. Sanitary disposal unit |
| 2. Alternative door position | 9. Vertical grab rails | 15. Fold-up support rail |
| 3. Waste disposal bin | 10. Mixer tap, installed on side of basin nearest WC | 16. Vertical grab rail |
| 4. Shelf, installed 760mm above finished floor level | 11. Two clothes hooks, installed 1050mm and 1400mm above finished floor level | 17. Flush mechanism, installed on side of cistern furthest from wall |
| 5. Wheelchair turning space (1500x1500mm) | 12. Alarm pull cord | 18. Flat-topped, close-coupled cistern, provides back rest and colostomy bag changing surface for standing users * |
| 6. Long mirror | 13. Horizontal grab rail | 19. Horizontal pull rail on outward-opening door |
| 7. Wall A (see side view) | | |

* Where low-level cisterns are used, a rail with padded back rest should be provided, and a colostomy bag changing shelf installed 950mm above finished floor level.

NOTE: Examples shown are for right-handed transfer to WC.

Close-Coupled, Standard, or Low-Level Doc M Packs 1-8

Side View



Dimensions shown in millimetres

Key

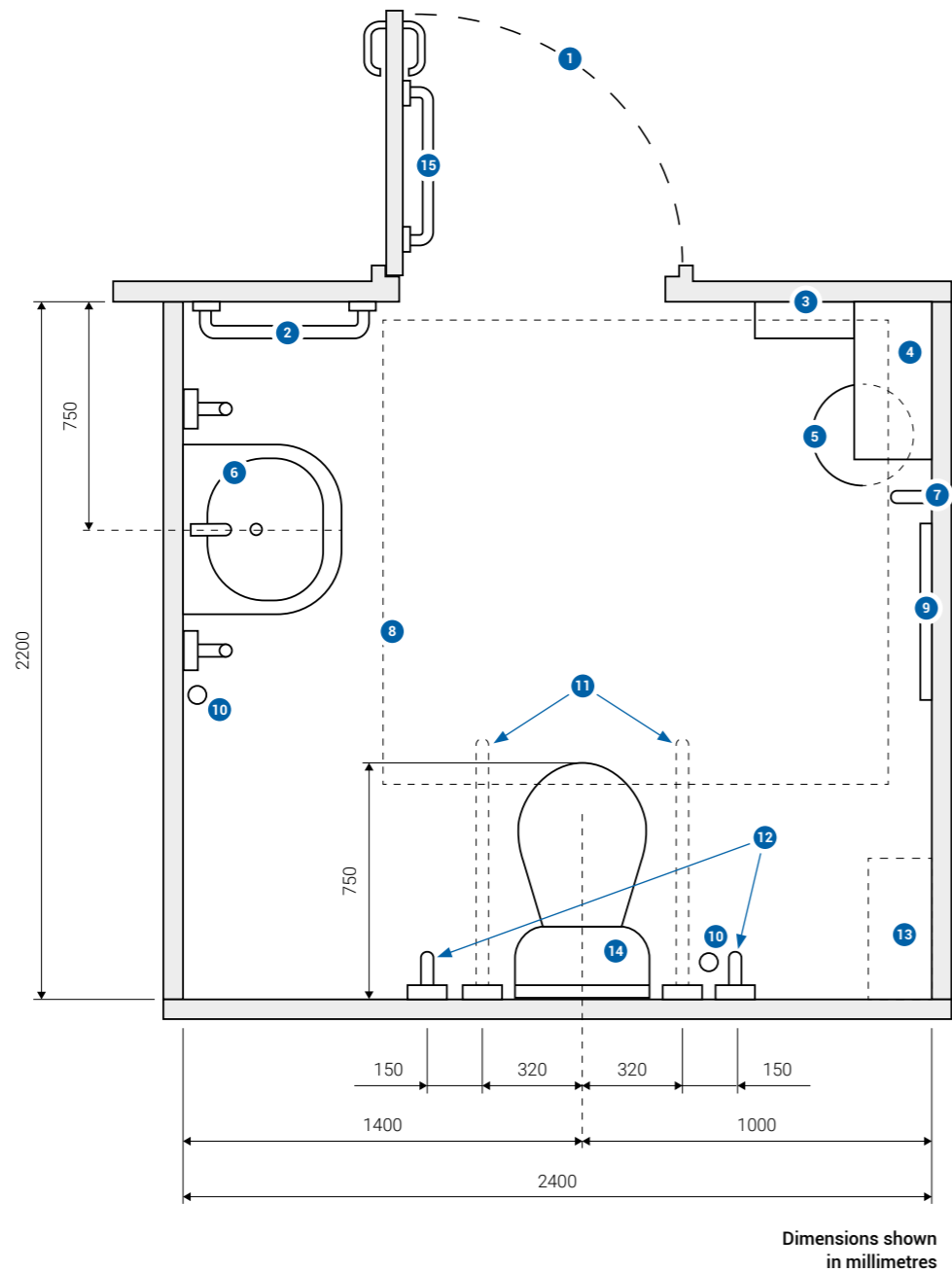
- | | | |
|---|---|--|
| 1. Wall A (see plan view) | adjacent to door, with coin slot positioned 750-1000mm above finished floor level | 10. Alarm reset button |
| 2. Alarm pull cord with two red bangles | | 11. Centre of vertical grab rails should be 1100mm |
| 3. Vertical grab rails installed above wash basin 500-700mm apart with basin positioned centrally below | 6. Automatic hand dryer | 12. Horizontal grab rail |
| 4. Colostomy bag changing shelf, installed 950mm above finished floor level * | 7. Soap dispenser | 13. Shelf, installed 760mm above finished floor level |
| 5. Sanitary dispenser, installed on wall | 8. Paper towel dispenser | 14. Wash basin, mixer tap installed on side of basin nearest WC |
| | 9. Toilet tissue dispenser | 15. Flat-topped, close-coupled cistern, provides back rest and colostomy bag changing surface for standing users * |

* Where low-level cisterns are used, a rail with padded back rest should be provided, and a colostomy bag changing shelf, installed 950mm above finished floor level.

NOTE: Examples shown are for right-handed transfer to WC.

Peninsular Doc M Pack 9

Plan View



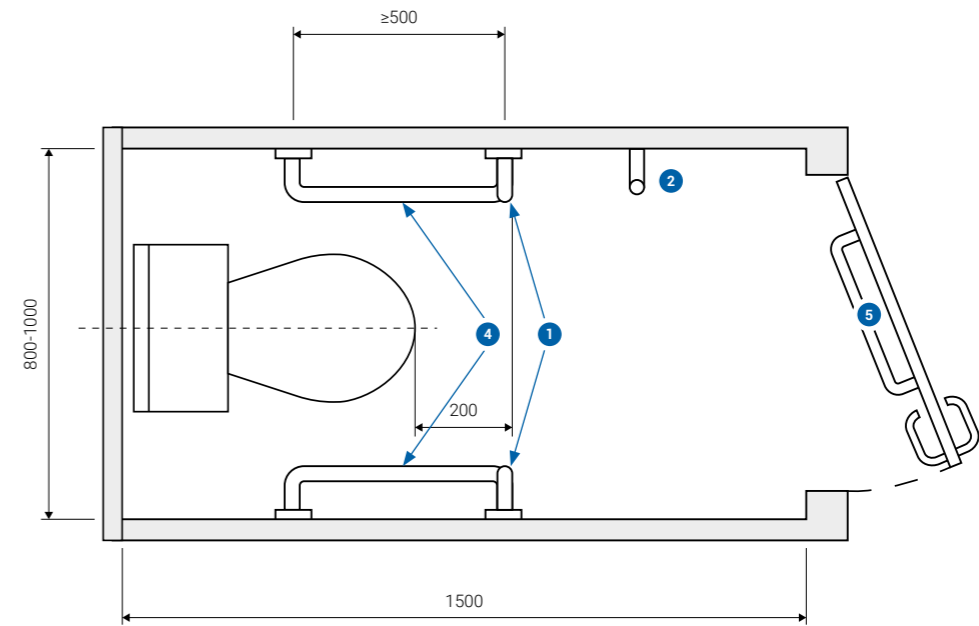
Key

- | | |
|---|--|
| 1. Door, may be installed at any position along wall, but leading edge cannot be less than 300mm from return wall | 8. Wheelchair turning space (1500x1500mm) |
| 2. Towel rail | 9. Independent tall mirror |
| 3. Sanitary dispenser | 10. Alarm pull cord |
| 4. Shelf, installed 760mm above finished floor level | 11. Fold-up support rails, one with a toilet roll holder |
| 5. Waste disposal bin | 12. Vertical grab rail |
| 6. Large wash basin, installed with mirror above and vertical grab rails either side 500-700mm apart | 13. Sanitary disposal unit |
| 7. Two clothes hooks, installed 1050mm and 1400mm above finished floor level | 14. Flat-topped, close-coupled cistern, provides back rest and colostomy bag changing surface for standing users * |
| | 15. Horizontal pull rail on outward-opening door |

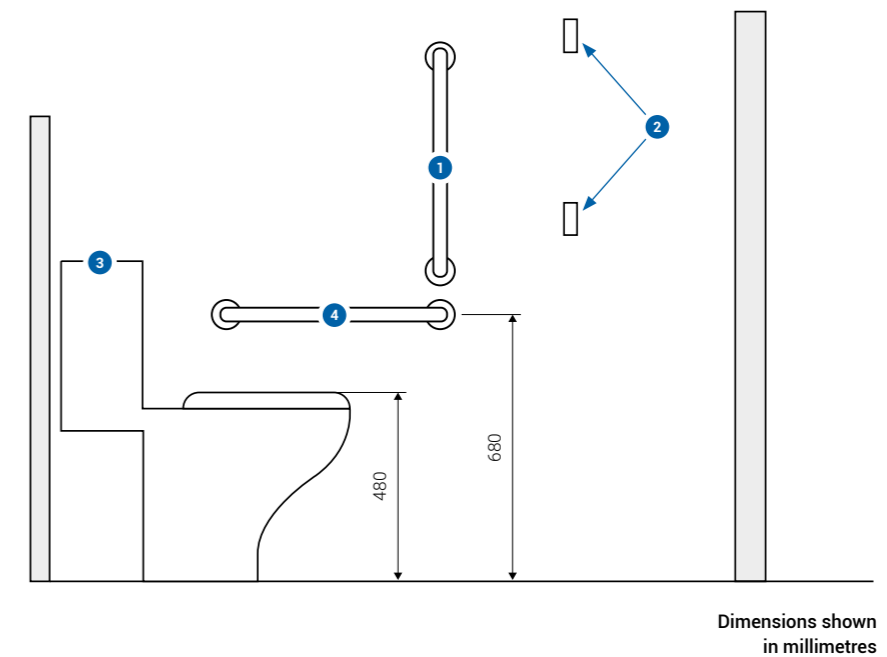
* Where low-level cisterns are used, a rail with padded back rest should be provided, and a colostomy bag changing shelf installed 950mm above finished floor level.

Ambulant Doc M Pack 10

Side View



Side View



Key

1. Vertical grab rails
2. Two clothes hooks, installed 1050mm and 1400mm above finished floor level
3. Flat-topped, close-coupled cistern, provides back rest and colostomy bag changing surface for standing users *
4. Horizontal grab rails
5. Horizontal pull rail on outward-opening door

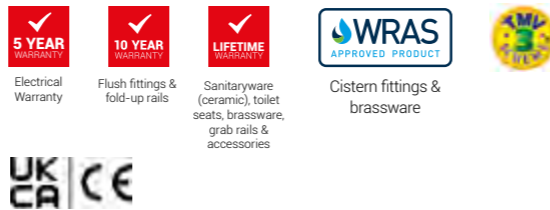
* Where low-level cisterns are used, a rail with padded back rest should be provided, and a colostomy bag changing shelf installed 950mm above finished floor level.

Pack 1: Fully Compliant Close-Coupled Doc M Pack Doc M

This practical pack contains all the essentials needed to install a fully compliant Doc M washroom, featuring a close-coupled WC with lever flush and 750mm projection, a finger rinse wash basin with thermostatic mixer tap, a selection of grab rails able to support up to 30st (200kg), and our Doc M accessory pack.

Pack Contents

- + Navlin Doc M raised-height, rimless toilet pan with 750mm projection
- + Water-saving, close-coupled cistern with spatula lever flush and screw-down lid
- + Blue ergonomic toilet seat with lid, soft-close hinges and seat lugs
- + Navlin Doc M finger rinse 400mm wash basin with two tap holes
- + TMV3 WRAS approved thermostatic mixer tap
- + Blue 600mm straight grab rails with uPVC fluted finish x 4
- + Blue 450mm straight grab rail with uPVC fluted finish
- + Blue fold-up rail with adjustable leg and optional toilet roll holder, finished with an epoxy resin coating and treated with a rust inhibitor
- + Doc M accessory pack: small shelf, large shelf, contrasting blue clothes hooks x 2, alarm pull cord, lever-operated soap dispenser, electric hand dryer, paper towel dispenser and toilet tissue dispenser



Product Code

Doc M Pack 1

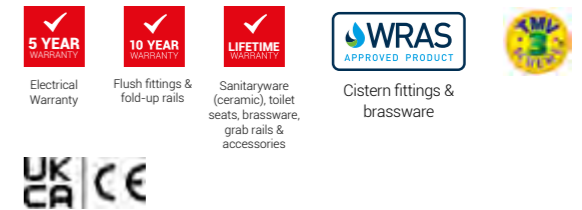
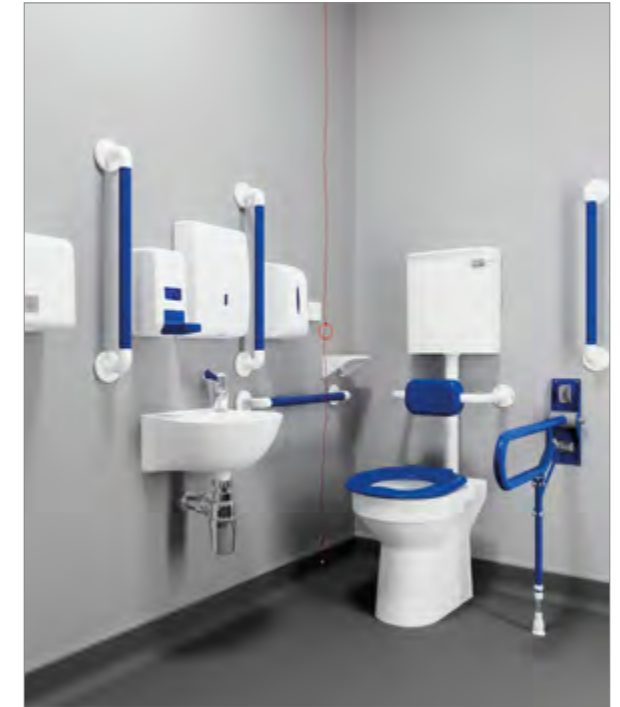
28310FBU

Pack 2: Fully Compliant Low-Level Doc M Pack Doc M

An alternative to installing a close-coupled WC, this pack includes everything needed to install a fully compliant low-level WC, as well as a finger rinse wash basin with thermostatic mixer tap, a selection of grab rails able to support up to 30st (200kg), and our Doc M accessory pack.

Pack Contents

- + Navlin Doc M raised-height, back-to-wall rimless toilet pan
- + Water-saving, low-level cistern with spatula lever flush, screw-down lid and flush pipe
- + Blue ergonomic toilet seat with soft-close hinges and seat lugs, without lid
- + Blue padded back rest
- + Navlin Doc M finger rinse 400mm wash basin with two tap holes
- + TMV3 WRAS approved thermostatic mixer tap
- + Blue 600mm straight grab rails with uPVC fluted finish x 4
- + Blue 450mm straight grab rail with uPVC fluted finish
- + Blue fold-up rail with adjustable leg and optional toilet roll holder, finished with an epoxy resin coating and treated with a rust inhibitor
- + Doc M accessory pack: small shelf, large shelf, contrasting blue clothes hooks x 2, alarm pull cord, lever-operated soap dispenser, electric hand dryer, paper towel dispenser and toilet tissue dispenser



Product Code

Fully Compliant Low-Level Doc M Pack – Fluted Blue

28311FBU

Pack 3: Standard Close-Coupled Doc M Pack

Doc M

This pack includes everything needed to assemble a fully compliant washroom. It features a close-coupled WC with lever flush and 750mm projection, a finger rinse wash basin with Monobloc mixer tap, and a selection of grab rails able to support up to 30st (200kg).

Pack Contents

- + Navlin Doc M raised-height, rimless toilet pan with 750mm projection
- + Water-saving, close-coupled cistern with spatula lever flush and screw-down lid
- + Ergonomic toilet seat with lid, soft-close hinges and seat lugs (available in blue, white, dark blue or mid-grey)
- + Navlin Doc M finger rinse 400mm wash basin with two tap holes
- + Monobloc spray mixer tap
- + 600mm straight grab rails with either a smooth, epoxy resin coating (available in white, dark blue or mid-grey) or fluted uPVC finish (choose from blue, white, dark blue or mid-grey) x 4
- + 450mm straight grab rail with either a smooth, epoxy resin coating (available in white, dark blue or mid-grey) or fluted uPVC finish (choose from blue, white, dark blue or mid-grey)
- + Fold-up rail with adjustable leg and optional toilet roll holder, finished with an epoxy resin coating (available in blue, white, dark blue or mid-grey) and treated with a rust inhibitor



Product Codes

Close-Coupled Std Doc M Pack

Fluted Blue	28312FBU
Fluted White	28312FWH
Fluted Dark Blue	28312FDB
Fluted Mid-Grey	28312FMG
Stainless White	28312SWH
Stainless Dark Blue	28312SDB
Stainless Mid-Grey	28312SMG

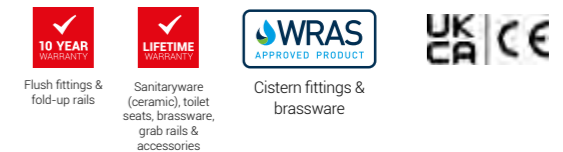
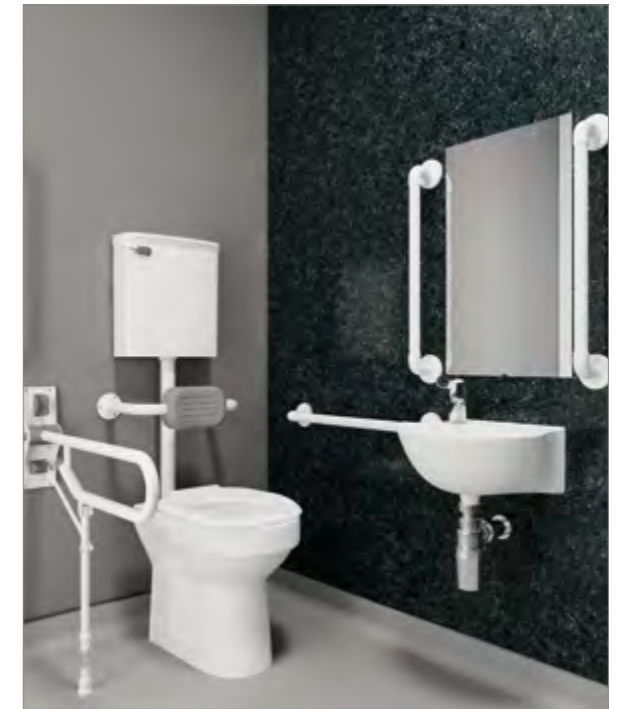
Pack 4 & 6: Standard Low-Level Doc M Pack

Doc M

An alternative to a close-coupled WC, these packs contain everything needed to install a fully compliant low-level WC, and include a back-to-wall toilet pan with low-level cistern, flush pipe, padded back rest and lever flush, as well as a finger rinse wash basin with mixer tap, and a selection of grab rails able to support up to 30st (200kg).

Pack Contents

- + Navlin Doc M raised-height, back-to-wall rimless toilet pan
- + Water-saving low-level cistern with spatula lever flush, screw-down lid and flush pipe
- + Ergonomic toilet seat with soft-close hinges and seat lugs, without lid (available in blue or white)
- + Padded back rest (available in blue or grey)
- + Navlin Doc M finger rinse 400mm wash basin with two tap holes
- + Monobloc spray mixer tap (Pack 4)
- + 600mm straight grab rails with uPVC fluted finish (available in blue or white) x 4
- + 450mm straight grab rail with uPVC fluted finish (available in blue or white)
- + Fold-up rail with adjustable leg and optional toilet roll holder, finished with an epoxy resin coating (available in blue or white) and treated with a rust inhibitor



Product Codes Pack 4

Low-Level Std Doc M Pack

Fluted Blue	28313FBU
Fluted White	28313FWH

Product Codes Pack 6

Low-Level Std Doc M Pack with TMV3 Mixer Tap

Fluted Blue	28315FBU
Fluted White	28315FWH

Pack 5: Standard Close-Coupled Doc M Pack – TMV3

Doc M

This pack includes everything needed to assemble a fully compliant washroom. It features a close-coupled WC with lever flush and 750mm projection, a finger rinse wash basin with thermostatic mixer tap, and a selection of grab rails able to support up to 30st (200kg).

Pack Contents

- + Navlin Doc M raised-height, rimless toilet pan with 750mm projection
- + Water-saving, close-coupled cistern with spatula lever flush and screw-down lid
- + Ergonomic toilet seat with lid, soft-close hinges and seat lugs (available in blue, white, dark blue or mid-grey)
- + Navlin Doc M finger rinse 400mm wash basin with two tap holes
- + TMV3 WRAS approved thermostatic mixer tap
- + 600mm straight grab rails with either a smooth, epoxy resin coating (available in white, dark blue or mid-grey) or fluted uPVC finish (choose from blue, white, dark blue or mid-grey) x 4
- + 450mm straight grab rail with either a smooth, epoxy resin coating (available in white, dark blue or mid-grey) or fluted uPVC finish (choose from blue, white, dark blue or mid-grey)
- + Fold-up rail with adjustable leg and optional toilet roll holder, finished with an epoxy resin coating (available in blue, dark blue, mid-grey or white) and treated with a rust inhibitor



Flush fittings & fold-up rails

Sanitaryware (ceramic), toilet seats, brassware, grab rails & accessories

Cistern fittings & brassware

Product Codes

Close-Coupled Std Doc M Pack with TMV3 Mixer Tap

Fluted Blue	28314FBU
Fluted White	28314FWH
Fluted Dark Blue	28314FDB
Fluted Mid-Grey	28314FMG
Stainless White	28314SWH
Stainless Dark Blue	28314SDB
Stainless Mid-Grey	28314SMG

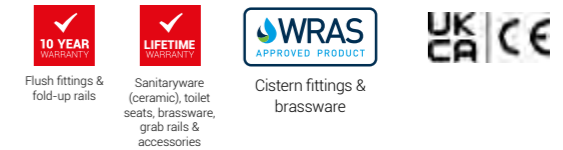
Pack 7 & 8: Contemporary Close-Coupled or Low-Level Doc M Pack

Doc M

If achieving a contemporary aesthetic is a key goal when designing your Doc M washroom, then these packs provide all the products you will need. Each pack features either a close-coupled (Pack 7) or low-level (Pack 8) WC with lever flush, a finger rinse wash basin with Monobloc mixer tap, and a selection of grab rails able to support up to 30st (200kg).

Pack Contents

- + Navlin Doc M raised-height, rimless toilet pan with 750mm projection
- + Water-saving cistern with spatula lever flush, screw-down lid
- + White ergonomic toilet seat with soft-close hinges, seat lugs (Packs 7 & 8), and lid
- + Navlin Doc M finger rinse 400mm wash basin with two tap holes
- + Monobloc spray mixer tap
- + 600mm straight grab rails with a polished stainless-steel finish x 4
- + 450mm straight grab rail with a polished stainless-steel finish
- + Stainless-steel fold-up rail with adjustable leg and optional toilet roll holder



Flush fittings & fold-up rails

Sanitaryware (ceramic), toilet seats, brassware, grab rails & accessories

Cistern fittings & brassware

Product Codes Pack 7

Contemporary Closed-Coupled Doc M Pack

– Stainless Steel **28319SS**

Product Codes Pack 8

Contemporary Low Level Doc M Pack

– Stainless Steel **28316SS**

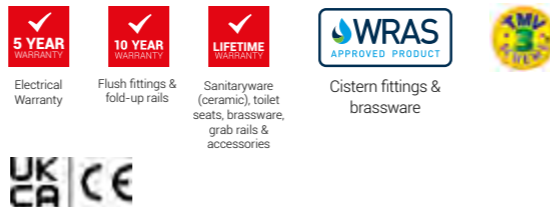
Pack 9: Peninsular Doc M Pack

Doc M

The Peninsular pack contains the essentials needed to install a fully compliant Doc M washroom, featuring a close-coupled WC with lever flush and 750mm projection, Navlin wash basin with thermostatic mixer tap, a selection of grab rails able to support up to 30st (200kg), and our Doc M accessory pack.

Pack Contents

- + Navlin Doc M raised-height, rimless toilet pan with 750mm projection
- + Water-saving, close-coupled cistern with spatula lever flush and screw-down lid
- + Ergonomic toilet seat with soft-close hinges and seat lugs, without lid (available in blue or white)
- + Navlin 550mm wash basin with one tap hole
- + TMV3 WRAS approved thermostatic mixer tap
- + 600mm straight grab rails with uPVC fluted finish (available in blue or white) x 4
- + 450mm straight grab rail with uPVC finish (available in blue or white)
- + Fold-up rails with adjustable leg and optional toilet roll holder, finished with an epoxy resin coating (available in blue or white) and treated with a rust inhibitor x 2
- + Doc M accessory pack: small shelf, large shelf, contrasting blue clothes hooks x 2, alarm pull cord, lever-operated soap dispenser, electric hand dryer, paper towel dispenser and toilet tissue dispenser



UK CA CE

Product Codes

Close-Coupled Peninsular Doc M Pack	
Fluted Blue	28317FBU
Fluted White	28317FWH

Pack 10: Ambulant Doc M Pack

Doc M

The Ambulant pack provides all the products needed to install a Doc M compliant toilet within a cubicle environment. This includes a close-coupled WC with lever flush and 650mm projection, grab rails able to support up to 23.5st (150kg), and contrasting clothes hooks.

Pack Contents

- + Navlin Doc M raised-height, rimless toilet pan with 650mm projection
- + Water-saving, close-coupled cistern with spatula lever flush and screw-down lid
- + Ergonomic toilet seat with soft-close hinges and seat lugs, without lid (available in blue or white)
- + 600mm straight grab rails with uPVC fluted finish (available in blue or white) x 4
- + 450mm straight grab rail with uPVC fluted finish (available in blue or white)
- + Blue clothes hook x 2



Product Codes

Close-Coupled Ambulant Doc M Pack	
Fluted Blue	28318FBU
Fluted White	28318FWH

Doc M Packs 1 - 10

Doc M

Features & Benefits

- + Rimless toilet pan with direct flushing technique offers improved hygiene levels by reducing the build-up of bacteria and making cleaning easier
- + 480mm raised-height toilet pan (height with seat affixed) complies with Doc M guidelines, with extended 750mm projection to aid with side transfer
- + Ergonomic toilet seat (with/without lid) is shaped for comfort and easy cleaning, comes with seat lugs for stability when side transferring, and soft-close hinges for safety
- + Spatula lever flush cistern can be easily operated by hand, closed fist, or elbow, ideal for those with limited dexterity, with a screw-down lid for added security and safety in public facilities
- + The low-level cistern with lever handle, flush pipe and padded back rest which offers user comfort. Easily operated by hand, closed fist, or elbow – ideal for those with limited dexterity – with a screw-down lid for added security and safety in public facilities
- + Full (6 litre) and reduced flush options increase performance and water efficiency
- + Two tap hole finger rinse wash basin for flexibility when installing – blanking plug supplied
- + One tap hole wash basin with a flat tap deck for easy cleaning
- + TMV3 approved thermostatic mixer tap with lever handle prevents scalding
- + Monobloc spray mixer tap with stylish lever handle design
- + Blue contrasting grab rails feature a fluted uPVC finish which offers superb grip even when wet and can support loads of up to 15.5st (100kg) when installed on walls suitable for weigh-loading
- + Stainless-steel grab rails benefit from a durable coating and support loads of up to 23.5st (150kg)
- + Fold-up rail is available in multiple colours to offer high colour contrast, supports loads of 30st (200kg), features an adjustable leg and optional toilet roll holder, is finished with an epoxy resin coating and treated with a rust inhibitor for longevity
- + Shelves feature round corners to reduce injury in the event of a trip or fall
- + Blue clothes hooks for high colour contrast
- + Alarm pull cord with long pull cord and two bangles for grip
- + Lever-operated soap dispenser is easy to use with an elbow or closed fist
- + Paper towel and toilet tissue dispensers are both lockable
- + Hand dryer with high output element for rapid drying
- + Components individually packaged in recyclable materials to prevent damage during transit



Doc M Hand Dryer

Doc M

Suitable for all applications, the hygienic 2.3kW automatic hand dryer comes complete with a heavy-duty white ABS cover.

Features & Benefits

- + Strong ABS case
- + High-output element for rapid drying
- + Installer adjustable hand proximity sensor
- + Timing protection with auto shut-off after 60 seconds
- + Temperature cut-out protection
- + Power supply 220-240V
- + 75dB
- + Weight: 3kg
- + IP rating: Drip Proof IP x 1
- + Dimensions: W: 235mm, H: 270mm, D: 142mm



Product Code

Hand Dryer 23624-UK

Doc M Padded Back Rest

Features & Benefits

- + Aids side transfer
- + Available in grey, blue and white
- + Made from polyurethane foam for easy cleaning
- + Cushion thickness 60mm
- + Projection from wall: 270mm



Product Codes

Padded Back Rest (Blue)	01190BU
Padded Back Rest (Grey)	01190GR
Padded Back Rest (White)	01190WH

Doc M Shelving

Doc M

AKW's range of white polypropylene shelving is designed for use next to the WC, wash basin or showering area.

Features & Benefits

- + Can be easily removed for cleaning
- + Two sizes available (Small: 215mm length, 185mm depth), (Large: 530mm length, 230mm depth)
- + Rounded edges for safety
- + Hole for water drainage
- + Small shelf next to the toilet is designed for placing a colostomy bag onto if required
- + Larger shelf next to wash basin is available to place any items on when entering the bathroom



Product Codes

Small Shelf	23145
Large Shelf	23146

Doc M Lever-Operated Liquid Soap Dispenser

Doc M

The AKW lever-operated soap dispenser has been designed for easy operation, by hand, closed fist or elbow. It is refillable by simply topping up the soap bottle using liquid soap.

Features & Benefits

- + Lever operated
- + Extended blue lever provides better colour contrast/visibility for those with visual impairment
- + Easy to operate with either elbow or closed fist
- + Refillable
- + Manufactured from ABS plastic
- + Dimensions: W200mm, H260mm, D120mm



Product Code

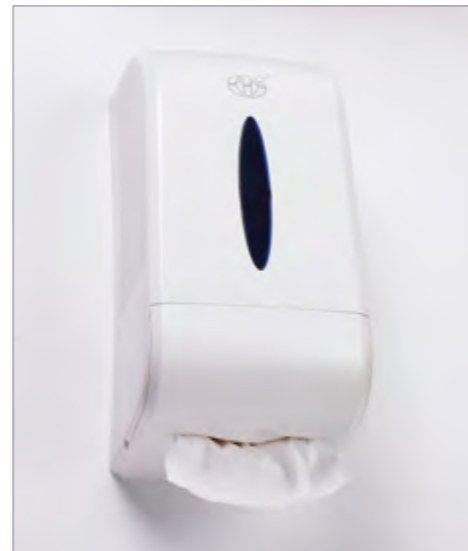
Lever Operated Soap Dispenser

23142

Doc M Toilet Tissue Dispenser

Features & Benefits

- + Easy installation
- + Refillable using tissue up to 110 x 110mm in size
- + 240mm stack capacity
- + Lockable
- + Manufactured from ABS plastic
- + Dimensions: W135mm, H290mm, D130mm



Product Code

Toilet Tissue Dispenser

23138

Doc M Paper Towel Dispenser

Doc M

Features & Benefits

- + Easy installation
- + Uses standard size towels
- + Large capacity – up to 350mm stack
- + Accepts interleaved or C-fold hand towels up to 255mm (W)
- + Lockable
- + Manufactured from ABS plastic
- + Dimensions: W285mm, H380mm, D110mm

Product Code

Paper Towel Dispenser

23139



Doc M Clothes Hook

These clothes hooks have been specially designed for use in AKW Doc M packs, although their practical design and easy installation makes them suitable for many other applications.

Features & Benefits

- + Finished in blue for high contrast
- + Easy to install with fixings supplied
- + Removable for cleaning

Product Code

Clothes Hook

23144



Doc M Emergency Alarm and Pull Cord

Doc M

The AKW emergency audio alarm operates by a simple pull cord to allow users to raise an alarm from within a toilet or closed room. In standby mode the alarm shows a green 'power on' light. Once pulled, a flashing red 'alarm' light is triggered, along with an audio signal.

Features & Benefits

- + Easy to operate control panel with 2 LEDs: green for 'on', red for 'activated'
- + Reset switch
- + Long pull cord with two red bangles for grip
- + 12V DC power supply, 90dbA
- + CE certified
- + Can be connected to a 3A fused switched spur or plugged into a dedicated 3A fused, 13A plug and 230V AC supply socket
- + Designed to BS8300:2009 guidelines



Product Code

Emergency Alarm and Pull Cord **23143**

Doc M Cistern, Flush Valve and Handle

Doc M

AKW Doc M cistern has been designed for use with the AKW toilet pan range.

Features & Benefits

- + Comes with a spatula dual-flush handle, with complete flush mechanism and fill valve
- + Low-level cistern or close-coupled cistern available
- + Screw-down lid for added safety and security
- + 4/6 litre flush options for maximum water efficiency
- + WRAS approval to EN997 standards
- + Non-handed, it fits either left or right
- + Low-level comes with flush pipe (760 x 305mm)
- + Height: 385mm, Width: 450mm



* Flush pipe packaged separately

Product Codes

Low-Level Cistern (Includes the flush pipe*)	23559
Close-Coupled Cistern	23594

Replacement Spatula Flush Handle and Mechanism Kit

Doc M

Features & Benefits

- + Compact, spatula design handle with chrome finish
- + Easy-to-operate lever, can be flushed with minimal force by closed fist or elbow
- + Provides half-flush option which can be controlled by the user for maximum water efficiency
- + Full/half-flush operation indicators
- + Clear and raised markings make it suitable for partially sighted users
- + Non-handed, it fits either left or right
- + Handle is unique to AKW flush mechanism
- + WRAS-approved flush mechanism and fill valve



WRAS Approval: 1105343



i This is a spare part and is supplied with **23164** and **23163**

Product Code

Replacement Spatula Flush Handle and Mechanism kit **23165**

For more information on these products please contact us on **01905 823298** or visit **orders.akw-ltd.co.uk**

Walk-In & Assistive Baths

AKW's walk-in and assistive baths are designed to provide safe and comfortable bathing experiences for individuals with limited mobility or disabilities. These baths feature low-level entry, slip-resistant surfaces, and various additional features like grab rails and seating options. With AKW's walk-in and assistive baths, users can enjoy a relaxing and accessible bathing experience.



SANITARYWARE WALK-IN & ASSISTIVE BATHS

Blakemere Deep Soaker Bath (1210 x 650mm)

Features & Benefits

- + Inward opening door with single lever door lock
- + Seat height: 365mm
- + Overall internal depth: 795mm
- + Floor to top of bath: 865 - 965mm
- + Incorporating moulded seat for seated bathing
- + Waste options available – clicker, plug & chain, or pop-up – please confirm when ordering
- + Taps not supplied
- + Guarantee: 1 year parts & labour, 5 year parts only
- + Manufactured from GRP
- + One end panel included as standard, additional end panels can be ordered if required

Product Code

Blakemere Walk-In Corner Bath LH	11-BLALH
Blakemere Walk-In Corner Bath RH	11-BLARH
End Panel, Not Handed	11-BLAEP



i Walk In Baths are non-returnable and non-refundable as they are Made to Order



Shakerley Assistive Bath (1700 x 700mm)



i Walk In Baths are non-returnable and non-refundable as they are Made to Order



SANITARYWARE

Oulton Full length Walk-In Bath (1700x700mm)

Features & Benefits

- + Inward opening door
- + Effortless, easy close latch mechanism
- + Optional end panel available
- + Waste options available – clicker, plug & chain, or pop-up – please confirm when ordering
- + Taps not supplied
- + Guarantee: 1 year parts & labour, 5 year parts only
- + Manufactured from GRP
- + One end panel included as standard, additional end panel can be ordered if required

Product Code

Oulton Standard Walk-in Bath LH	11-OULLH
Oulton Standard Walk-in Bath RH	11-OULRH
End Panel, not handed	11-OULEP



i Walk In Baths are non-returnable and non-refundable as they are Made to Order

i

Features & Benefits

- + Inward opening 10mm toughened glass door
- + Easy to operate single lever door lock
- + Slip resistant base
- + Seat height: 395mm
- + Overall internal depth: 795mm
- + Step in threshold: 196mm (outer)
- + End panel available
- + Left or right hand



i Walk In Baths are non-returnable and non-refundable as they are Made to Order

i

Features & Benefits

- + Inward opening door
- + Easy to operate single lever door lock
- + Slip resistant base
- + Seat height: 370mm
- + Overall internal depth: 790mm
- + Step in threshold: 196mm (outer)
- + End panel available
- + Left or right hand



i Walk In Baths are non-returnable and non-refundable as they are Made to Order

i

Features & Benefits

- + Inward opening wide front door
- + Button operated door mechanism
- + Slip resistant base
- + Seat height: 320mm
- + Overall internal depth: 750mm
- + Step in threshold: 170mm
- + Side panel available
- + Not handed
- + This bath is not suitable for the larger user, larger than a 46" waist or over 5' 10" in height)



i Walk In Baths are non-returnable and non-refundable as they are Made to Order

i

Features & Benefits

- + Inward opening door
- + Button operated door mechanism
- + Slip resistant base to shower area
- + 6mm toughened glass shower screen with bright silver trim
- + Step in threshold: 235mm (outer)
- + End panel available
- + Left or right hand



i Walk In Baths are non-returnable and non-refundable as they are Made to Order



i





Bathroom Furniture & Accessories



Furniture 520

Basin Units	521
WC Units	522
Base Units	524
Countertops	525
Integrated Sanitaryware	526
Furniture Accessories	527

Bathroom Accessories 529

Onyx Toilet Roll Holder	530
Onyx Toilet Roll Brush	530
Onyx Towel Rail	531
Onyx Soap dish	532
Onyx Small Shelf	532
Onyx Large Shelf	533
Onyx Hook	533

You may also need:

Safety Flooring	Sanitaryware	Plumbing Fittings
323	409	549

Furniture

AKW's simple range of fitted bathroom furniture is both stylish and practical. Fitted furniture is great for providing plenty of storage and hiding unsightly pipework, whilst vanity furniture gives you the flexibility to add units together or position them separately depending on your style of bathroom.



FURNITURE BASIN UNITS

Colour Options:



White Gloss



Driftwood



Lancaster Oak

For matching **counter tops** see [page 525](#)

Basin Units

Features & Benefits

- + Two widths available: 500mm or 600mm
- + Height: 820mm, depth: 350mm
- + Includes cabinet legs

Product Codes

500mm White Gloss Basin Unit	28150WHT
600mm White Gloss Basin Unit	28151WHT
500mm Driftwood Basin Unit	28150DFT
600mm Driftwood Basin Unit	28151DFT
500mm Lancaster Oak Basin Unit	28150LAN
600mm Lancaster Oak Basin Unit	28151LAN



Handles, Plinths and Infill Panels are available for purchase separately on [page 527](#)

Slimline Basin Units

Features & Benefits

- + Two widths available: 500mm or 600mm
- + Height: 820mm, depth: 270mm
- + Includes cabinet legs

Product Codes

500mm White Gloss Slimline Basin Unit	28154WHT
600mm White Gloss Slimline Basin Unit	28155WHT
500mm Driftwood Slimline Basin Unit	28154DFT
600mm Driftwood Slimline Basin Unit	28155DFT
500mm Lancaster Oak Slimline Basin Unit	28154LAN
600mm Lancaster Oak Slimline Basin Unit	28155LAN



Handles, Plinths and Infill Panels are available for purchase separately on [page 527](#)

WC Units

Features & Benefits

- + Height: 820mm, depth: 350mm
- + Two widths available: 500mm or 600mm
- + Includes cistern and a recessed flush button
- + Compatible with Navlin Back-to-Wall Pan (23572)
- + An optional dual-flush button is available separately (see [page 527](#))

Product Codes

500mm White Gloss WC Unit	28152WHT
600mm White Gloss WC Unit	28153WHT
500mm Driftwood WC Unit	28152DFT
600mm Driftwood WC Unit	28153DFT
500mm Lancaster Oak WC Unit	28152LAN
600mm Lancaster Oak WC Unit	28153LAN



i Pan sold separately see [page 526](#)

Slimline WC Units

Features & Benefits

- + Height: 820mm, depth: 270mm
- + Two widths available: 500mm or 600mm
- + Includes cistern and a recessed flush button
- + Compatible with Navlin Back-to-Wall Pan (23572)
- + An optional dual-flush button is available separately (see [page 527](#))

Product Codes

500mm White Gloss SL WC Unit	28156WHT
600mm White Gloss SL WC Unit	28157WHT
500mm Driftwood SL WC Unit	28156DFT
600mm Driftwood SL WC Unit	28157DFT
500mm Lancaster Oak SL WC Unit	28156LAN
600mm Lancaster Oak SL WC Unit	28157LAN



i Pan sold separately see [page 526](#)

WC Units for Raised-Height Pan

Features & Benefits

- + Height: 820mm, Depth: 350mm
- + Two widths available: 500mm or 600mm
- + Includes cistern and a recessed flush button
- + Suitable for raised-height toilet pans
- + Compatible with Navlin Doc M Back-to-Wall Pan (23593)
- + An optional dual-flush button is available separately (see [page 527](#))

Product Codes

500mm White Gloss WC Unit	28193WHT
600mm White Gloss WC Unit	28194WHT
500mm Driftwood WC Unit	28193DFT
600mm Driftwood WC Unit	28194DFT
500mm Lancaster Oak WC Unit	28193LAN
600mm Lancaster Oak WC Unit	28194LAN



i Pan sold separately see [page 526](#)

Slimline WC Units for Raised-Height Pan

Features & Benefits

- + Height: 820mm, Depth: 270mm
- + Two widths available: 500mm or 600mm
- + Includes cistern and a recessed flush button
- + Suitable for raised-height toilet pans
- + Compatible with Navlin Doc M Back-to-Wall Pan (23593)
- + An optional dual-flush button is available separately – (see [page 527](#))

Product Codes

500mm White Gloss SL WC Unit	28195WHT
600mm White Gloss SL WC Unit	28196WHT
500mm Driftwood SL WC Unit	28195DFT
600mm Driftwood SL WC Unit	28196DFT
500mm Lancaster Oak SL WC Unit	28195LAN
600mm Lancaster Oak SL WC Unit	28196LAN



i Pan sold separately see [page 526](#)

Base Units

Colour Options:



White Gloss Driftwood Lancaster Oak

For matching counter tops see [page 525](#)

Full Door Base Units

Extra base units for storage and counter space, which can be floor mounted and made to order. Available in slimline and with full door or three-drawer options.

Features & Benefits

- + Width: 400mm, Height: 820mm, Depth: 350mm

Product Codes

White Gloss Full Door Unit	28183WHT
Driftwood Full Door Unit	28183DFT
Lancaster Oak Full Door Unit	28183LAN

Full Door Slimline Base Units

Features & Benefits

- + Width: 400mm, Height: 820mm, Depth: 270mm

Product Codes

Slimline White Gloss Full Door Unit	28184WHT
Slimline Driftwood Full Door Unit	28184DFT
Slimline Lancaster Oak Full Door Unit	28184LAN

Countertops

Colour Options:



White Gloss Everest Driftwood

Countertops

Features & Benefits

- + Width: 1500mm, Height: 28mm, Depth: 365mm
- + Supplied with edging strip

Product Codes

White Gloss Countertop	28131WHT
Everest Countertop	28131BLK
Driftwood Countertop	28131DFT



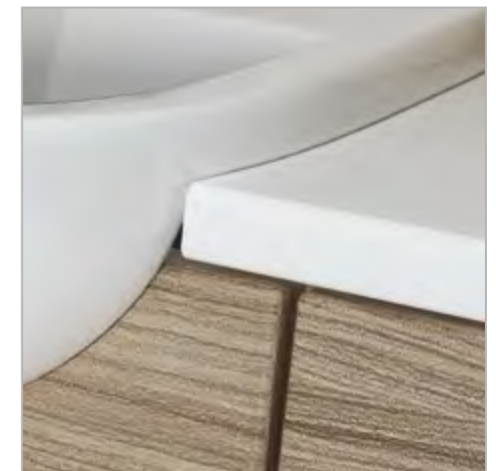
Slimline Countertops

Features & Benefits

- + Width: 1500mm, Height: 28mm, Depth: 290mm

Product Codes

White Gloss Countertop	28132WHT
Everest Countertop	28132BLK
Driftwood Countertop	28132DFT



Semi-Recessed Basin

450mm basins are suitable for 500mm units and 550mm basins are suitable for 600mm units.

Features & Benefits

- + Suitable for use with standard countertops
- + One tap hole or two tap holes
- + Taps are not included – for taps (see [page 481](#))

Product Codes

450mm Basin RH (1 tap hole)	28127RH
450mm Basin LH (1 tap hole)	28127LH
450mm Basin (2 tap holes)	28130
550mm Basin (1 central tap hole)	28145
550mm Basin (2 tap holes)	28146



Navlin Back-to-Wall Toilet Pan

Features & Benefits

- + Standard Height

Product Codes

Navlin Standard-Height Back-to-Wall Toilet Pan	23572
Carbamide Soft-Close Toilet Seat with Lid	23588
PP Soft-Close Toilet Seat with Lid	23589



Navlin Doc M Back-to-Wall Toilet Pan

Features & Benefits

- + 480mm raised height toilet pan
- + Compatible with Ergonomic seats see [page 475](#)

Product Codes

Navlin Doc M Raised-Height Back-to-Wall Toilet Pan	23593
--	-------



Traditional Knob Handle

Product Code

Single Traditional Knob Handle	28136
--------------------------------	-------

i Two handles are required for basin unit

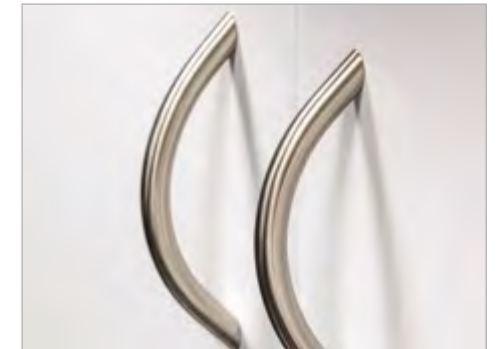


D Handles

Product Code

Single D Handle (sold as singles)	28139
-----------------------------------	-------

i Two handles are required for basin unit



Optional Dual Flush Plate

Features & Benefits

- + Optional replacement for Recessed Flush Button

Product Code

Palm-Push Dual Flush Plate	28180
----------------------------	-------



Plinths/Infill Panels

Features & Benefits

- + Width: 1500mm, Height: 300mm, Depth: 18mm

Product Codes

White Gloss Plinth/Infill Panel	28118WHT
Driftwood Plinth/Infill Panel	28118DFT
Lancaster Oak Plinth/Infill Panel	28118LAN

i One infill/plinth is required for basin unit



Bathroom Accessories

AKW's range of bathroom accessories allow you to add stylish finishing touches to your bathroom.

Onyx Toilet Roll Holder

Features & Benefits

- + Can be used left or right-handed
- + Easy installation to bracket – only one screw needed
- + Removable end cap
- + Keeping in the same style as Onyx Grab Rails
- + Size : 77mm x 36mm x 201mm
- + ABS chrome and coloured holder and cap
- + Die-cast zinc alloy bracket
- + Black and white options available

Product Codes

Onyx Toilet Roll Holder Black and Chrome	23688
Onyx Toilet Roll Holder White and Chrome	23685



Onyx Toilet Brush

Features & Benefits

- + Floor or wall mounted
- + Requires two screws to attach to wall
- + Simple snap-fit to remove holder from wall plate
- + Removable toilet brush lid to reduce size and allow longer reach
- + Removable cup for cleaning
- + Size: 114mm x 427mm x 97mm
- + ABS chrome and colour plated
- + Black and white options available

Product Codes

Onyx Toilet Brush Black and Chrome	23687
Onyx Toilet Brush White and Chrome	23684



Onyx Towel Rail

Features & Benefits

- + Double-sided chrome tubes for multiple towels
- + Crush-fit logo end caps
- + Keeping in the same style as Onyx Grab Rails
- + Size: 77mm x 36mm x 481mm
- + Die-cast zinc alloy brackets and covers
- + Stainless steel tubes
- + Glass-filled nylon and ABS components
- + Black and white options available

Product Codes

Onyx Towel Rail Black and Chrome	23689
Onyx Towel Rail White and Chrome	23686



Onyx Tumbler Chrome

Features & Benefits

- + Interchangeable through range (the wall plate is the same as small shelf and soap dish)
- + Screws completely hidden
- + Easy to install
- + Size: 133mm x 42mm x 100mm
- + Glass-filled nylon wall plate
- + Chrome-plated ABS front cover
- + Clear acrylic shelf

Product Code

Onyx Tumbler Chrome	23682
---------------------	-------



Onyx Soap Dish Chrome

Features & Benefits

- + Interchangeable through range (the wall plate is the same as small shelf and tumbler)
- + Screws completely hidden
- + Easy to install
- + Size: 133mm x 42mm x 100mm
- + Glass-filled nylon wall plate, chrome-plated ABS front cover, clear acrylic shelf

Product Code

Onyx Soap Dish Chrome

23683



Onyx Small Shelf Chrome

Features & Benefits

- + Interchangeable though range (the wall plate is the same as tumbler and soap dish)
- + Screws completely hidden
- + Easy to install
- + Size: 113mm x 42mm x 100mm
- + Glass-filled nylon wall plate, chrome-plated ABS front cover, clear acrylic shelf

Product Code

Onyx Small Shelf Chrome

23681



Onyx Large Shelf Chrome

Features & Benefits

- + Snap-fit design to rails
- + No screws needed for installation
- + Fits with all Onyx rail sizes, to be ordered separately.
- + Folds up for storage
- + Size: 151mm x 68mm x 300mm
- + Clear acrylic shelf

Product Code

Onyx Large Shelf Chrome

23680



Onyx Hook Chrome

Features & Benefits

- + Two-part hook – die-cast zinc alloy chrome-plated
- + Screw completely hidden
- + Easy to install
- + Size: 42mm x 45mm x 45mm

Product Code

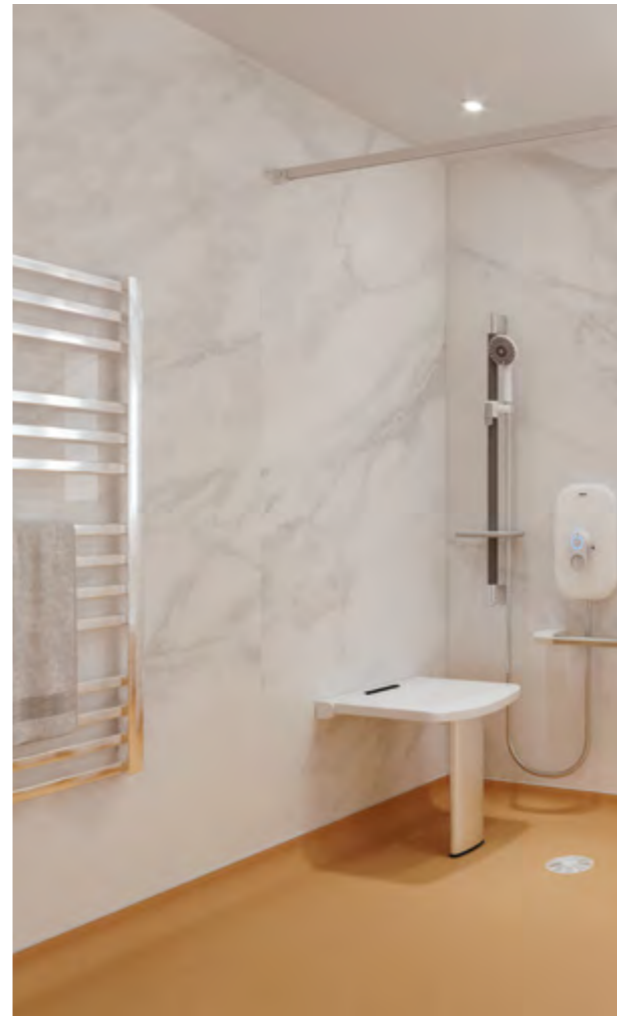
Onyx Hook Chrome

23690





Heating & Electrical



Safety Heating 536

Towel Warmers	537
Underfloor Heating	538

Bathroom Lights 540

LED Bathroom Light	541
Task Focused Surface Mounted LED light	542
Task Focused Lighting	543

Extractor Fans 544

Vent-Axia Lo Carbon Extractor Fan	545
AKW EnviroVent Filterless Extractor Fan	546

Safety Heating

With external temperatures not exceeding 43°C, our towel warmers satisfy NHS Safe Surface Temperature Guidelines. Suitable for domestic use as well as in care or nursing homes and commercial buildings, they are easy to install, clean and use.



SAFETY HEATING TOWEL WARMER

Low Surface Temperature Towel Warmer

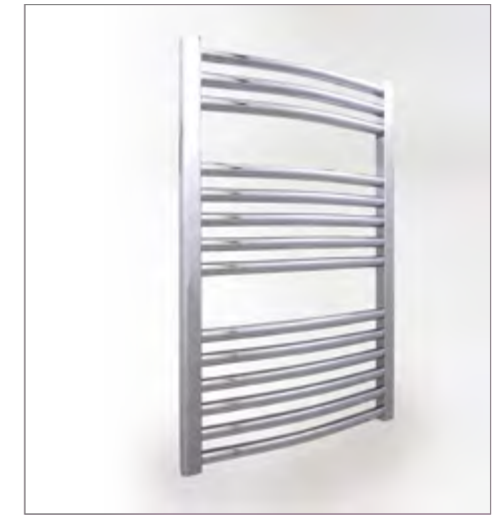
Keep towels warm and skin safe with an addition to the room that's a pleasure to look at and safe to touch.

Features & Benefits

- + Luxury chrome or white finish
- + Electric LST fixed heat element
- + Modern design
- + Straight or curved models available
- + Various sizes available
- + Can be used with a timer
- + Easy and quick to install
- + Low maintenance costs
- + IP66 rated – can be installed in zones 1 and 2*



2 year warranty on element



Product Codes

Radiator Product:	Width:	Height:	BTU/hr:	Wattage (W):	Code:
LST Straight Chrome Multirail Towel Warmer	300mm	800mm	1109	325	23426
LST Straight White Multirail Towel Warmer	300mm	800mm	1109	325	23427
LST Straight Chrome Multirail Towel Warmer	500mm	800mm	1434	420	23428
LST Straight White Multirail Towel Warmer	500mm	800mm	1434	420	23429
LST Straight Chrome Multirail Towel Warmer	300mm	1200mm	1672	490	23430
LST Straight White Multirail Towel Warmer	300mm	1200mm	1672	490	23431
LST Straight Chrome Multirail Towel Warmer	500mm	1200mm	2048	600	23432
LST Straight White Multirail Towel Warmer	500mm	1200mm	2048	600	23433
LST Curved Chrome Multirail Towel Warmer	500mm	800mm	1434	420	23434
LST Curved White Multirail Towel Warmer	500mm	800mm	1434	420	23435
LST Curved Chrome Multirail Towel Warmer	500mm	1200mm	2048	600	23436
LST Curved White Multirail Towel Warmer	500mm	1200mm	2048	600	23437

*Must be fitted in accordance with IEE Wiring Regulations.

Electric Underfloor Heating

With its programmable thermostatic controller, it warms up floors quickly, helping keep them drier, safer and more comfortable to walk on.

Features & Benefits

- + Keeps floors dry and warm for comfort and safety
- + Programmable thermostatic controller
- + Free multi-meter to check installation at every stage
- + Economic to use
- + Quick to warm up
- + Manual override
- + 15 trimmable sizes
- + 4 metre power cable

Product Codes

1m ² Underfloor Heating Kit (150W)	23438
1.5m ² Underfloor Heating Kit (225W)	23439
2m ² Underfloor Heating Kit (300W)	23440
2.5m ² Underfloor Heating Kit (375W)	23441
3m ² Underfloor Heating Kit (450W)	23442
3.5m ² Underfloor Heating Kit (525W)	23443
4m ² Underfloor Heating Kit (600W)	23444
4.5m ² Underfloor Heating Kit (675W)	23445
5m ² Underfloor Heating Kit (750W)	23446
6m ² Underfloor Heating Kit (900W)	23447
7m ² Underfloor Heating Kit (1050W)	23448
8m ² Underfloor Heating Kit (1200W)	23449
9m ² Underfloor Heating Kit (1350W)	23450
10m ² Underfloor Heating Kit (1500W)	23451
12m ² Underfloor Heating Kit (1800W)	23452



2 year warranty on thermostat sensor



Bathroom Lights

Our bathroom lights have been designed specifically for extra safety, for use in bathrooms and exceeding Building Regulation Requirements.



BATHROOM LIGHTS

LED Bathroom Light

Features & Benefits

- + IP65 LED surface-mounted light fitting (18 Watt)
- + Life length: 50,000 hours
- + Diameter: 290mm, Depth: 95mm
- + Class II – must be earthed
- + Voltage supply: 230V

Product Code

LED Bathroom Light

30080



On all
AKW
electrical
items

Task Focused LED Light

LED spotlight with a narrow beam to focus lighting on tasks being operated.

Features & Benefits

- + 30-degree narrow beam
- + 3000k warm white light
- + LED long life
- + IP65 rating
- + Supplied with a driver to convert higher voltage AC current into low voltage DC current required for LED lighting



Product Code

Task Focused LED Lights

30086

Task Focused Surface-Mounted LED Light

LED downlighter with a narrow beam to focus lighting on the area tasks take place to help users with sight loss achieve occupational performance.

Features & Benefits

- + 25° narrow beam
- + 3000k warm white light
- + IP54 Rating
- + LED long life
- + Built-in driver
- + Task lighting should be narrow and focused. The principle of task lighting is that the object within the environment is illuminated to support functional independence, when used in conjunction with a general LED bathroom light to illuminate the wider area
- + Warm white light allows colour contrast within the environment to take priority and reduce glare
- + Product is resistant to low-pressure water jets and vapour in the shower area
- + Provides up to 30,000 hours of light
- + Converts higher voltage AC current into low voltage DC required for LED lighting



Product Code

Task Focused Surface Mounted LED Light 30140

Task Focused Lighting Kit

The importance of good lighting cannot be underestimated and good lighting can mean different things to different people, depending on a person's specific health condition.

Therefore, we have put together a Task Focused Lighting Kit to ensure sufficient light levels in the areas where specific tasks are undertaken promotes a person's long-term independence.

Our recommended kit includes

- + 5 x Task Focused 8W LED Lights
- + 2 x Standard 18W LED Lights
- + 1 x Pull Cord Switch

Features & Benefits

- + 30-degree narrow beam
- + 3000k warm white light
- + LED long life
- + IP65 rating
- + Supplied with a driver to convert higher voltage AC current into low voltage DC current required for LED lighting

Product Codes

LED Basic Light – 18W	30080
Task Focused LED Lights	30086
Pull Cord Switch	30087
Task Focused Lighting Kit (2 x LED Basic Lights, 5 x Task Focused LEDs, 1 x Pull Cord)	30088



5 x Task Focused 8W LED Lights



2 x Standard 18W LED Lights



1 x Pull Cord Switch



ELECTRICAL

ELECTRICAL

Extractor Fans

Our extractor fans have been designed specifically for extra safety, for use in bathrooms and exceeding Building Regulation Requirements.



EXTRACTOR FANS

Vent-Axia Lo Carbon Extractor Fans

Features & Benefits

REVIVE SELV 7

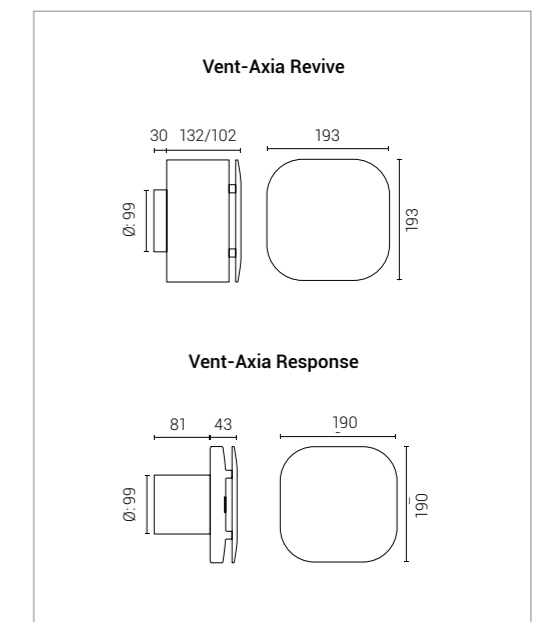
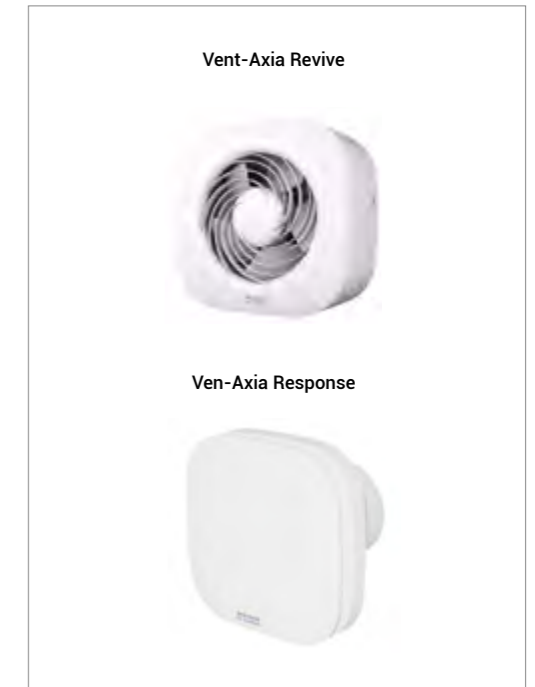
- + Designed specifically for Social Housing
- + Continuous running
- + Extracts up to 60l/s
- + LED display for commissioning
- + High performance, low sound & energy levels
- + 7 year warranty

RESPONSE 7 / SELV

- + Designed specifically for Social Housing
- + Continuous running
- + High performance on trickle to avoid going to boost too often
- + Quick & easy to install, low maintenance & reliable
- + Timer adjustable between 1 & 30 minutes
- + 7 year warranty

Product Codes

Vent-Axia Centra Fan/Timer Humidistat 12v SELV HT	15SF-VA02
Vent-Axia Silhouette Fan/Timer/Humidistat 12v SELVT1000SVH	15SF-VA04
Vent-Axia Response SELV 13HTP Low Voltage	15SF-VA06
Vent-Axia Revive 7 SELV Low Voltage	15SF-VA07
Shower LED Light with Fan, Silavent SPV802ETLED	15SL01
4 inch x 3m flexible duct	23132



AKW EnviroVent Filterless Fan

The AKW EnviroVent Filterless Extractor Fan is a versatile, discreet solution for efficient air ventilation which has been designed for installation in a range of high-humidity areas around the home, including wet rooms, bathrooms, and domestic kitchens.

Features & Benefits

- + Powerful backward curved EC motor vastly reduces moisture levels and condensation, contributing to the prevention of mould growth
- + Intuitive Intellitrac® controls constantly monitor humidity levels, requiring no user intervention
- + IPX5 rating ensures fan can be safely installed and used within Zone 1
- + SELV (Safety Extra Low Voltage) protection ensures fan can be used in areas with high humidity and in close proximity to water
- + Energy-efficient solution with an advanced ultra-low-watt brushless EC motor that achieves exceptional energy use levels – up to 80% more efficient than a traditional AC fan, delivering powerful results with minimal energy usage
- + Delivers high, reliable performance which exceeds building regulation requirements
- + Simple to maintain, repair or replace parts, with low lifetime costs
- + Designed to operate quietly and efficiently
- + Discreet exterior aesthetic which is also easy to clean

Technical Specification

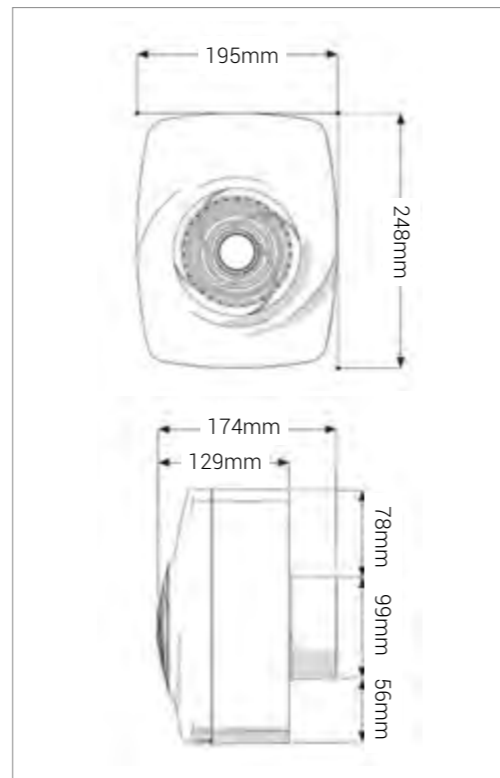
IPX5 rating

230V mains or 12V SELV (Safety Extra Low Voltage)

Settings	Power (W)	Duty (L/S)	Sound dB (A) @ 3m
Bathroom Trickle	3	13	15.46
Bathroom Boost	9.5	37	40.56

Product Code

AKW EnviroVent SELV Filterless Extractor Fan 12V	32000
AKW EnviroVent Mains Filterless Extractor Fan 230V	32002





Plumbing Fittings



Metal Fittings	550
Compression Fittings	551
Flexi Hoses	552
End Feed	552
Isolating Valves	553
Plastic Fittings	554
Push-Fit	555
Toilet Waste Connectors	556
Push-Fit Waste Pipes	557
Solvent Weld Fittings	558

Metal Fittings

AKW's range of metal fittings help to connect pipework together and change the direction of waterflow, and includes traditional compression and copper, flexi hoses for the connection of taps, and isolation valves for controlling the flow of water. Items are available in convenient pack sizes that allow you to just order the items you need.



METAL FITTINGS

Compression Fittings

Compression fittings are used to couple together pipes or to connect a pipe to a fixture or valve. There are three elements to a compression fitting: a nut, ring and seat. These work together to give a watertight connection. This simple mechanism makes it quick and easy for installers to connect or disconnect fittings.

Product Codes

15mm Compression Straight Couplings x 5	30016
15mm Compression Elbows x 5	30017
15mm Compression Equal Tees x 5	30018
15mm Compression End Stops x 5	30019
22–15mm Compression Reducers x 5	30020
15mm Olives x 25	30025
22mm Compression End Stop x 5	30024
15mm Double Check Valve x 1	30097
15mm Straight Compression Coupling x 1 Chrome	30129
15mm Compression Elbow Chrome x 1	30130
15mm Compression End Stop Chrome x 1	30132
22mm Compression End Stop Chrome x 1	30133
22–15mm Compression End Stop Chrome x 1	30135
15mm x 2m Chrome Pipe	30006
Chrome Pipe Saddle x 10	30126

For more information on Plumbing Fitting please scan the QR code to the right



Flexi Hoses

Flexi hoses are used to allow you to connect taps to the water supply and are an excellent option when space is limited. They feature compression fittings on either end of the hose to make it quick and easy for installers to connect or disconnect the fitting.

Product Codes

FH 15mm Compression to 1/2" BSP 300mm LG x 2	30048
FH 15mm Compression to 1/2" BSP 300mm LG x 2	30049
FH with Valve 15mm Comp to 1/2" BSP 300mm LG x 2	30090
FH with Valve 15mm Comp to 1/2" BSP 300mm LG x 2	30051
1/2 inch BSP to 15mm push-fit Flexi Hose 300mm x 2	30096

End Feed

End feed fittings are used for connecting copper piping and provide a robust yet, economical option. Copper piping and joins are suitable in plumbing applications for both hot and cold water supplies. Connections are made by applying flux and a heat source to reach a suitable temperature, then adding solder around the joint to seal.

Product Codes

15mm End Feed Street Elbows x 5	30003
15mm End Feed Equal Tees x 5	30004
15mm x 3m Copper Pipes	30005
15mm x Copper Stop Ends x 5	30101
22-15mm End Feed Reducers x 5	30007
15mm Pipe Clips x 100	30013
15mm End Feed Straight Couplings x 5	30001
15mm End Feed Straight Couplings x 5	30002
Pipe Clip Spacers x 100	30015
Endfeed 15mm x 1/2 Straight Tap Connector x 1	30142
Endfeed 15mm x 3/4 Straight Tap Connector x 1	30143
Endfeed 22mm x 3/4 Straight Tap Connector x 1	30144
Universal top hat washer pack of 10	30147
1/2in Fibre tap washer pack of 10	30145
3/4in Fibre tap washer pack of 10	30146

Isolating Valves

Isolating Valves control the flow of water from the mains to a water service pipe. This is an ideal solution for fixing some problems, such as a dripping tap, without the need to shut the water off at the mains. The valve is easy for installers to operate, as it can be opened and closed using a flat-head screwdriver.

Product Codes

15mm Compression Full Bore Isolating Vavles x 5	30054
15mm Compression Isolating Vavvles x 5	30053
15mm Compression Isolating Elbow x 5	30089
Full Flow 22mm Isolating Valve x 1	30051

For more information on Plumbing Fitting
please scan the QR code to the right



Plastic Fittings

AKW's range of essential plastic plumbing and pipe fittings includes modern push-fit pipes and components, as well as waste pipes and toilet waste connectors. Items are available in convenient pack sizes, allowing you to just order the items you need.



PLASTIC FITTINGS

Push-Fit

Push-fit plumbing fittings are quick and easy for installers to connect without the need for any specialist tools or sealant. Push-fit works by inserting the pipe into the fitting and then sealing a watertight connection by twisting the rotating sealing cap.

Unlike with some other fittings, push-fit connections can be disassembled and reused by twisting the sealing cap on the fitting. Our push-fit range comes from industry leading brands to ensure quality and reliability.

Product Codes

15mm Push Fit Straight Couplings x 10	30056
15mm Push Fit Elbows x 5	30057
15mm Push Fit Equal Tees x 5	30058
22mm – 15mm Push Fit Reducers x 5	30059
22mm – 15mm Push Fit Reducing union Connectors x 5	30136
15mm Push Fit Pipe Inserts x 10	30060
15mm Push Fit End Stops x 10	30061
25m Roll of 15mm Push Fit Pipe	30062
22mm Push Fit Straight Couplings x 5	30063
22mm Push Fit Elbows x 5	30064
22mm Push Fit Equal Tees x 3	30065
22mm Push Fit Pipe Inserts x 10	30066
22mm Push Fit End Stops x 5	30067
25m Roll of 22mm Push Fit Pipe x 1	30068
15mm Collet Locking Clip x 5	01-019-025X5
22mm Collet Locking Clip x 5	01-019-026X5

For more information on Plumbing Fitting please scan the QR code to the right



Toilet Waste Connectors

Toilet waste connectors, also known as a toilet pan connectors, are fitted into the back of the toilet pan and connected to the waste pipe toilet and are a crucial part of any bathroom system.

Product Codes

Felcible Pan Connector	30052
McAlpine 90 Degree Bend Rigid Pan Connector x 1	30099
McAlpine Straight Rigid Pan Connector x 1	30098
McAlpine Space Saving Rigid Pan Connector x 1	30100

Seal Bath Traps

Product Codes

McAlpine Seal Bath Trap 38mm x 50mm SM10 x 1	30851
McAlpine Seal Bath Trap 19mm x 38mm Q10 x 1	30852

Basin Traps

Product Codes

Basin Trap - Chrome	08-006-038
Basin Trap - White	08-006-040

Push-Fit Waste Pipes

Push-fit waste fittings can be used to connect plastic waste pipes from 32–40mm diameter, and are probably one of the most commonly used waste fittings mainly due to their ease of use.

Product Codes

32mm Push Fit Wastepipe 3m	30107
40mm Push Fit Wastepipe 3m	30108
32mm Push Fit Waste Straight Coupling x 5	30109
40mm Push Fit Waste Straight Coupling x 5	30110
32mm Push Fit Waste Elbow x 5	30111
40mm Push Fit Waste Elbow x 5	30112
32mm Push Fit Waste Swept Elbow x 5	30113
40mm Push Fit Waste Swept Elbow x 5	30114
32mm Push Fit Waste Obtuse Elbow x 5	30115
40mm Push Fit Waste Obtuse Elbow x 5	30116
32mm Push Fit Waste Equal Tee x 5	30117
40mm Push Fit Waste Equal Tee x 5	30118
32mm Push Fit Waste Street Elbow x 5	30119
40mm Push Fit Waste Street Elbow x 5	30120
32mm Push Fit Waste End Stop x 5	30121
40mm Push Fit Waste End Stop x 5	30122
32mm Push Fit Waste Pipe Clip x 5	30123
40mm Push Fit Waste Pipe Clip x 5	30124
40mm x 32mm Push Fit Waste Pipe Reducer x 5	30125

For more information on Plumbing Fitting please scan the QR code to the right



Solvent Weld Fittings

Solvent weld pipes and fittings use solvent cement to create a permanent joint. Solvent cement is brushed to the inside of the fittings and the outside of the pipe, then the pipe is inserted into the fitting and twisted to ensure full coverage. Solvent weld waste pipe and fittings are used to connect appliances to the waste network in the building that carry it away. Our solvent weld range comes from Floplast, a brand with a strong reputation for quality and reliability.



SOLVENT WELD FITTINGS

Solvent Weld

Product Codes

250ml tin of Solvent Cement	30037
32mm Pipe Saddle x 5	30036
32mm Solvent Weld Elbows x 5	30028
32mm Solvent Weld Obtuse Elbows x 5	30030
32mm Solvent Weld Obtuse Street Elbows x 5	30032
32mm Solvent Weld Straight Couplings x 5	30027
32mm Solvent Weld Street Elbows x 5	30031
32mm Solvent Weld Swept Elbows x 5	30029
32mm Solvent Weld Swept Equal Tees x 5	30033
32mm x 3m Solvent Weld Pipes	30035
40mm – 32mm Solvent Weld Reducers x 5	30034
40mm Pipe Saddle x 5	30046
40mm Solvent Weld Elbows x 5	30039
40mm Solvent Weld Obtuse Elbows x 5	30041
40mm Solvent Weld Obtuse Street Elbows x 5	30043
40mm Solvent Weld Straight Couplings x 5	30038
40mm Solvent Weld Street Elbows x 5	30042
40mm Solvent Weld Swept Elbows x 5	30040
40mm Solvent Weld Swept Equal Tees x 5	30044
40mm x 3m Solvent Weld Pipe	30045
110mm Soil and Vent Pipe Strap with 40mm Boss x 1	30047

Contact & Information



CONTACT & INFORMATION



Orders, Quotes & Queries

01905 823 299
orders@akw-ltd.co.uk

Technical Enquiries

01905 560 219
tech@akw-ltd.co.uk

Kitchen Enquiries

01905 823 262
kitchens@akw-ltd.co.uk

Fax

01905 823 297

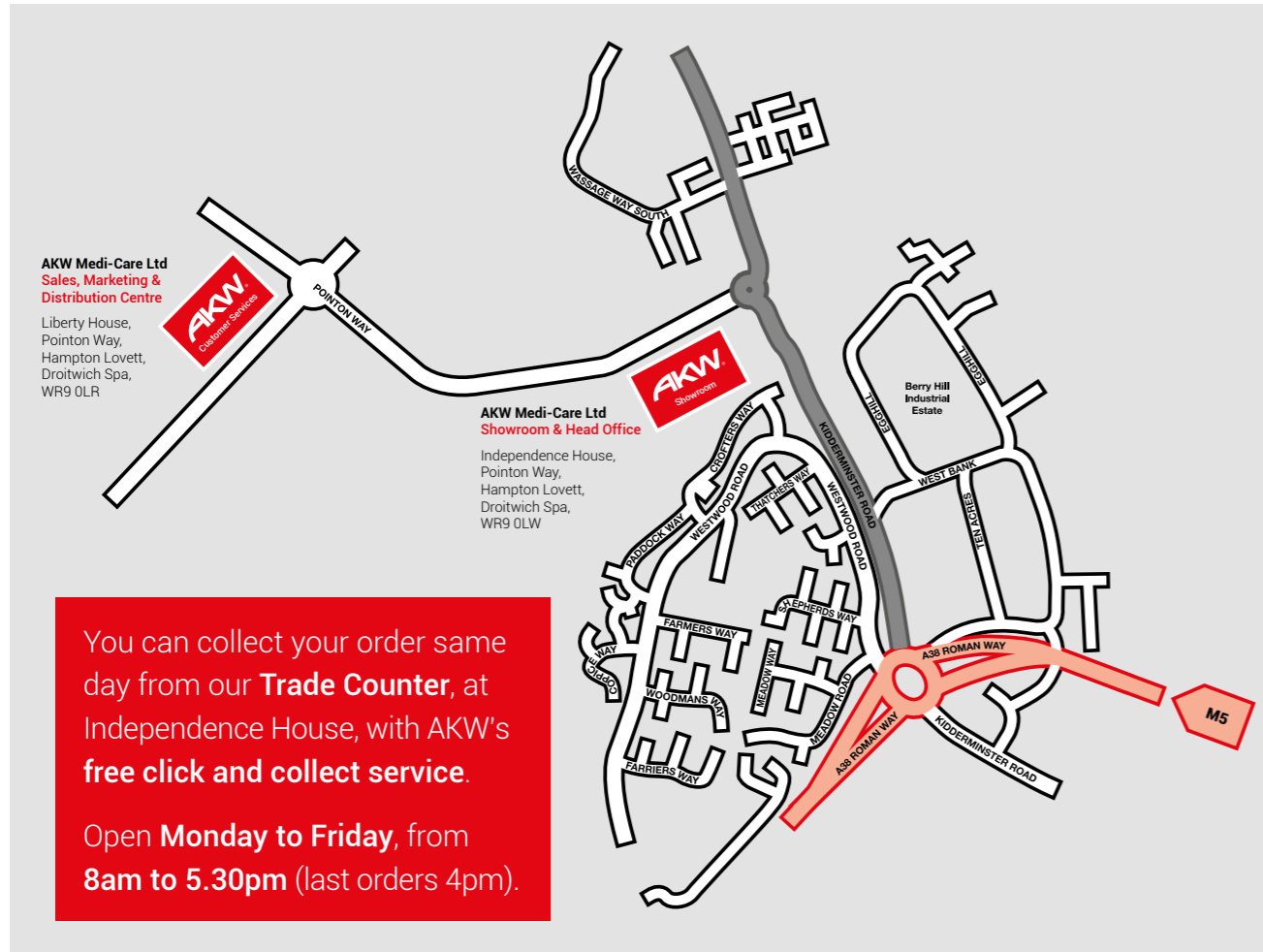
AKW

Pointon Way, Hampton Lovett
Droitwich Spa, WR9 0LR

www.akw-ltd.co.uk
orders.akw-ltd.co.uk



© AKW Medi-Care Limited 2025



Visit AKW Droitwich

From the North: Leave the M5 at Junction 5 (A38 Droitwich). At the roundabout, take the 4th exit onto the A38.

Continue on the A38, entering Droitwich. At the next roundabout, take the 4th exit onto Kidderminster Road (A442).

At the Stonebridge Cross roundabout, take the 1st exit onto Pointon Way (Stonebridge Cross Industrial Estate).

SAT NAV: WR9 0LW
For Trade Counter and Showroom

From the South: Leave the M5 at Junction 6 (Worcester (N)). At the roundabout, take the 3rd exit onto the A4538. Continue on the A4538, entering Martin Hussingtree.

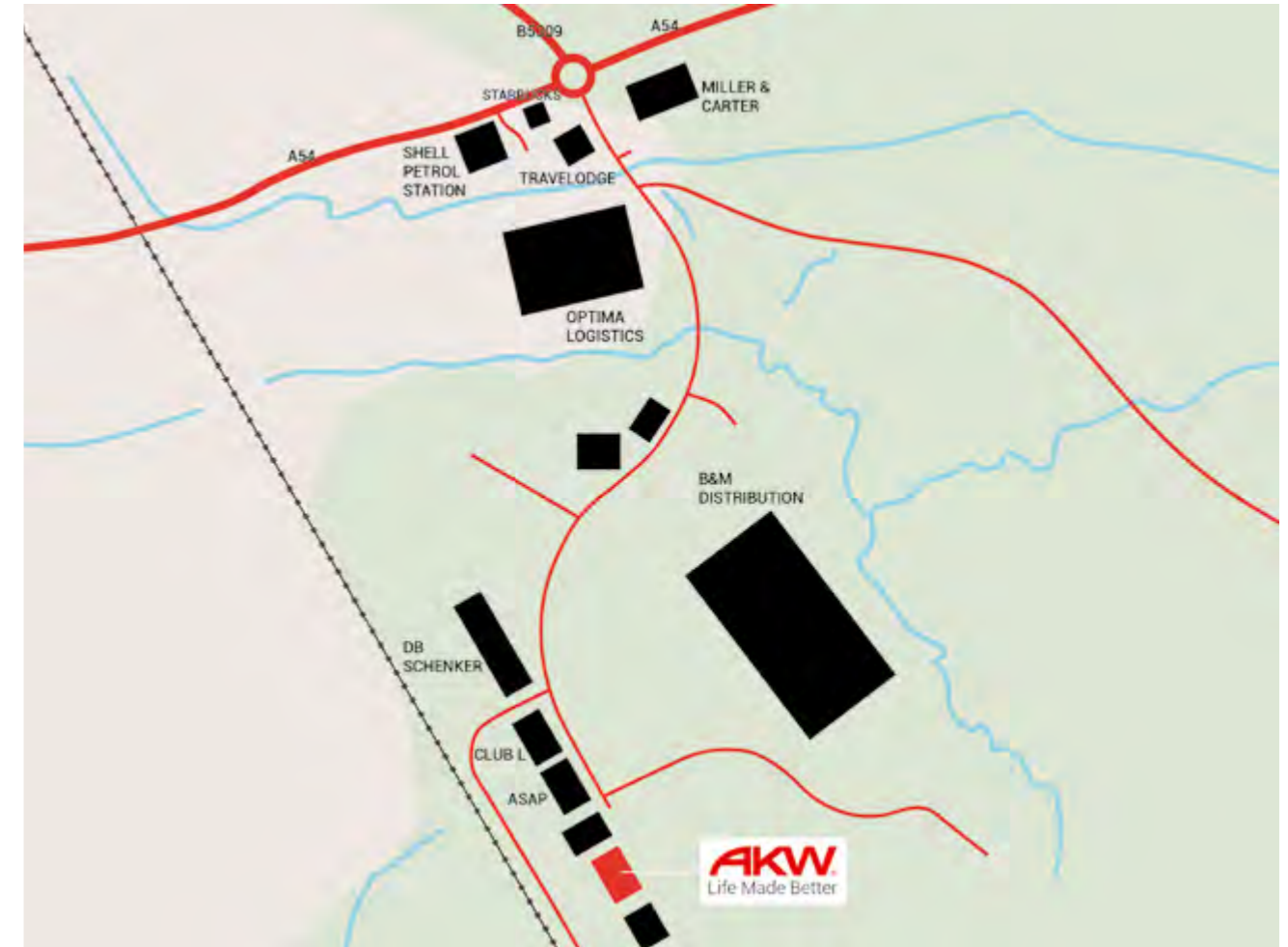
At the traffic signals, turn right onto the A38 (Droitwich).

Continue on the A38, entering Droitwich. At the next roundabout, take the 2nd exit onto Kidderminster Road (A442).

At the Stonebridge Cross roundabout, take the 1st exit onto Pointon Way (Stonebridge Cross Industrial Estate).

The first building on your left is the **AKW Head Office, Showroom and Trade Counter**.

For Sales, Marketing and Distribution continue on Pointon Way. At the roundabout, take the 1st left into AKW Liberty House.



Visit AKW Middlewich

Location: Middlewich is strategically located within 2½ miles of J18 of the M6 Motorway providing links to Liverpool, Manchester and Leeds.

SAT NAV: CW10 0GY

IMPORTANT

Your SAT NAV, map app or online map service may direct you to a different location – Booths Lane, Middlewich

If this is the case, please use postcode CW10 0GY which will direct you to Pochin Way. When you see a factory called Club L, turn right here and follow the road for ¼ mile

Index

INTRODUCTION

Company History	8
Quick Page Finder	11
About AKW	14
How this book works	16
Icons	17
Choosing the right products	18
Placing an order	20
Customer Services	21
Surveying excellence	22
Delivery	23
Here to help	24
Regulation & compliance	25

WET ROOMS 27

Wet Room Formers	29
Showerdec	29
Tuff Form8® Former	37
Tuff Form® Former	43
TriForm® Former	53
Tanking Kits & Accessories	58
MAPEI Wet Room Tanking Kit	59
MAPEI AquaDefense Kit	60
Threshold Kits	60
FormSafe® Kit	61

SHOWER TRAYS 63

Braddan Trays	65
Sulby Trays	73
Sulby 2	76
Swift Trays	83
Eagle TWO Trays	87
Low Profile Trays	91
Onyx Exclusif Trays	97
Onyx Linea Tray	102
Mullen® Trays	105

WASTE SYSTEMS 109

Wastes & Pumps	111
Compatibility guide	112
Gravity Wastes	118
Dry Wastes	127
Pumped Wastes	130
Contour Wastes	136

Waste Adaptors	142
Digital Waste Pumps	144
DigiPump Flow Sensor Kit	145
Wireless Interface	146
Auxiliary Pump Switch	146
P12 Waste Pump	147
Sanipro Macerator	150

SHOWER SCREENS & ENCLOSURES 153

Shower Screens	153
Larenco Screens	155
Opulance Screens	173
Level Best Glass Screens	181
Standard Screens	185
Screen Configurations	186
Made-to-Measure Screens	190
Sliding Screens	229
Portable Screens	238
Shower Curtain Rails	239
Drop Rods	241
Compensator	242
Shower Curtain Clip	243
Shower Curtains	244
Handles	245
Door Latches	245
Shower Cubicles	247
Onyx Care Pod	248
Standalone Cubicles	256
Showerloo	259
Onyx Shower Cubicles	260

SHOWERS 265

Electric Showers	267
AKW SmartCare Plus	268
Wireless Remote	271
AKW SmartCare Lever	272
iTherm	275
Shower Isolator Switch	278
Additional Electric Showers	279

Mixer Showers	281
Arka Care Cool Touch Mixer Valve	282
Arka Thermostatic Mixer Valve	282
Onyx Combo Mixer Shower	286
Vettora	288
Additional Mixer Showers	289
Rain Head Shower	290
On/Off Shower Head Handset	292
Eco-Save Mixer Shower	295
Easy Clean Shower Head	294

WALLS & SAFETY FLOORING 297

Wall Panels	299
Alveo Wall Panels	300
Marlbrook Wall Panels	304
Origins Wall Panels	307
Shower Niches	310
Access Panel	313
Tiles & Accessories	315
Super White Bumpy Tiles	316
Coloured Tiles	317
Mosaic Tiles	318
Tile Edge Trim & Strips	318
Tile Backer Board	319
Tile Spacers	319
Tile Grout	320
Tile Adhesive	320
Safety Flooring	323
Accessories	325
Timber	329

MOBILITY SUPPORT 331

Grab Rails	333
Plastic Grab Rail	336
Heavy Duty Grab Rails	338
Stainless Steel Grab Rails	340
Onyx 2 Grab Rails	346
T-Shaped Grab Rails	351
Hand Rails	351
Floor-to-Ceiling Support Poles	352
Fold-Up Rails	353
Floor Mounted Pillar for Fold-Up Rail	355
Straight Stainless Steel Grab rail	356
Curved Stainless Steel Grab Rails	357
Grab-a-Rail	358

Shower Seats	361
Fold-Up Shower Seats	362
4000 Series Shower Seats	362
3000 Series Shower Seats	371
2000 Series Shower Seats	372
1000 Series Shower Seats	375
Onyx Shower Seats	376
Bama Shower Seats	379
Hanging Shower Seats	380
Freestanding Shower Seats	381
Wooden Shower Seats	382
Mobility Ramps	385
Threshold Ramps	386
Standard Ramps	387

BATHS AND BATH ACCESSORIES 389

Steel single ended bath	392
Bath panels	394
Bath shower screens	396
Bath shower kits	398
Bath taps	400
Tilted Mirror with Handle	406

SANITARYWARE & BRASSWARE 409

Wash & Dry Toilets & Bidets	411
AKW Bidet	412
Close-Coupled Bidet (Pack 1)	418
Back-to-Wall Bidet (Pack 2)	420
Wall-Hung Bidet (pack 3)	422
AKW Rise & Fall Bidet (pack 4)	424
Geberit AquaClean Mera Care	432
Closomat Palma Vita & Palma Life	434
Sanitaryware	437
Navlin Range	444
Livenza Plus Range	460
Livenza Range	464
Ergonomic Wash Basins	472
Salonex Hairdresser Basin	473
Wash Basin Fixing Brackets	474
Toilet Seats	475
Toilet Plinth	477

Brassware	481
Wash Basin Taps	482
Brassware Accessories	489
Doc M	491
Pack 1-10	496
Walk-In & Assistive Baths	512
Blakemere Deep Soaker Bath	513
Shakerley Assistive Bath	513
Oulton Walk-In Bath	514
Nunsmere Deep Soaker Bath	514
Delamere Deep Soaker Bath	515
Combermere Deep Soaker Bath	515

BATHROOM FURNITURE & ACCESSORIES 519

Furniture	520
Basin Units	521
WC Units	522
Base Units	524
Countertops	525
Integrated Sanitaryware	526
Furniture Accessories	527
Bathroom Accessories	529
Onyx Toilet Roll Holder	530
Onyx Toilet Roll Brush	530
Onyx Towel Rail	531
Onyx Soap dish	532
Onyx Small Shelf	532
Onyx Large Shelf	533
Onyx Hook	533

HEATING & ELECTRICAL 535

Safety Heating	536
Towel Warmers	537
Underfloor Heating	538
Bathroom Lights	540
LED Bathroom Light	541
Task Focused Surface Mounted LED light	542
Task Focused Lighting	543
Extractor Fans	544
Vent-Axia Io Carbon Extractor Fan	545
EnviroVent Filterless Extractor Fan	546

PLUMBING FITTINGS 549

Metal Fittings	550
Compression Fittings	551
Flexi Hoses	552
End Feed	552
Isolating Valves	553
Plastic Fittings	554
Push-Fit	555
Toilet Waste Connectors	556
Push-Fit Waste Pipes	557
Solvent Weld Fittings	558

CONTACT & INFORMATION 560

Contact us	560
Visit AKW	562
Index	564
General Product Information	567
Legal Information	567
Terms & Conditions	568

General Product Information

Cleaning Instructions

To help maintain long-life, you should periodically clean all AKW and mobility support products.

Use normal domestic bathroom cleaning materials, and avoid any strong or concentrated acidic, alkaline or other cleaning materials. These may discolour or otherwise damage the products.

After cleaning, always rinse with water and wipe thoroughly with a damp cloth to remove any cleaning material residues.

Installation Instructions

AKW products should be installed by an experienced and competent person.

Fixings should be appropriate to the maximum rated user load, and selected to suit the condition of the surfaces to which it is being attached.

The selection of any specific fixings should be made by the installer based upon the requirements for each individual installation.

Power Showers/ High-Flow Systems

AKW trays and screens are not suitable for use with power showers or high-flow systems.

We recommend that you should use only AKW screens with AKW trays. These products have been designed and manufactured to be used together. Their use with non AKW products may adversely affect the integrity of the water seal between the tray and screen.

Legal Information

Most of our products are kept in stock, a few items are not immediately available and will need to be ordered. Please contact our Customer Services team on 01905 823 299 for more information.

For all technical information please refer to the installation instructions, available as a hard copy on request or online at akw-ltd.co.uk

The format, layout and organisation of this catalogue and all images herein are the property and copyright of AKW Ltd and may not be reproduced. AKW has a policy of continuous product improvement and reserves the right to change products, specifications and dimensions without prior notice. Copyright ©2018 AKW Medi-Care Ltd. All rights reserved. This publication and any part thereof may not be reproduced, stored in a retrieval system or transmitted in any form or by any means, electronic, mechanical, photocopying, scanning or otherwise, without prior written permission. Speedfit® is the registered trademark of John Guest International Limited.

Some AKW products featured in the product literature are protected by one or more of the following U.K., U.S. or foreign patents and other pending patent applications and/or registered design or other pending design applications: GB2426194, GB2374876, GB2375479, GB2401341, GB2406270, GB2394175, GB2402946, GB2410426, EP1523914, GB205802, GB3021810, GB3020282, GB3021505, GB3016631, GB3020208, GB3023907, EU000627146-0001, EU000566849-0001, EU000343561-0001, EU000379524-0001, EU000415765-0001, EU000717541-0001/2/3/4/5, EU000694781-0001, EU000189105-0001, EU000448535-0001, EU000692249-0001, USD539394, USD36889, USD510487, USD501611, USD494767, US 6725470, US 6890427, GB3008313, GB3008314, GB3011017, GB3011018, GB3011016, GB2058001, GB2058002, EU000024591-0001/2, EU000062047-0001/2, EU000135702-0001/2/3/4/5/6/7/8/9, GB2394175, GB2306316, GB2313306, GB2315211, GB2322546, GB2373515, GB2375479, GB2359484, GB2369568, GB2372267, GB3020282, GB2490442, EU2087823, US8370982, US8286279, GB2481813, GB2560278.

AKW does not hesitate to undertake rigorous protection, defence and maintenance of its intellectual property assets world-wide. Unregistered design rights exist wherever permissible. All dimensions given in this brochure are approximate and subject to manufacturing tolerances. AKW Medi-Care Ltd makes no warranty, expressed or implied, or accepts any liability in connection with this information or its use. This information is furnished upon the condition that the person receiving it shall make their own tests to determine the suitability thereof for their particular purpose. The AKW device is a registered trademark of AKW Medi-Care Ltd.

"ActivMotion®", "AKW®", "AKW Delivering Independence®", "AKW Denova®", "AKW Liberty®", "AKW Medicare®", "AKW SmartCare Plus®", "Archimedes®", "Arka®", "AKW SmartCare®", "DigiPump®", "FormSafe®", "InterGrip®", "iSure®", "Larenco®", "Level Best®", "Livenza®", "Marlbrook®", "Mullen®", "Screedmaster®", "ShowerDec®", "Silentflow+®", "Silverdale®", "Trays Direct®", "Tuff Form®", "Tuff Form8®", "TriForm®", "Triforce®" and "Universal®" are all registered trademarks.

We operate a constant improvement policy and our products are subject to change without notice.

AKW endeavour to provide literature that is correct at the time of printing. However we reserve the right to change product specifications, pricing and other information without notice. AKW take no responsibility for printing errors.

Copyright ©2020 AKW Medi-Care Ltd.
All rights expressly reserved.

Terms & Conditions

1. DEFINITIONS

- 1.1** The "Company" means AKW Medi-Care Limited.
- 1.2** The "Customer" means any person, firm or company purchasing the Goods.
- 1.3** The "Conditions" means the terms and conditions set out in this document as amended from time to time in accordance with clause 2.1.
- 1.4** The "Contract" means the contract between the Company and the Customer for the sale and purchase of the Goods in accordance with these Conditions.
- 1.5** "Credit Reference Agencies" means Experian Limited and/or any other organisation that maintains and provides information concerning the credit history of any person.
- 1.6** "Data Subjects" means (1) the Customer, (2) where the Customer is a company, the directors of that company, (3) where the Customer is a partnership, the partners of that partnership, (4) where the Customer is a limited liability partnership, the members of that limited liability partnership and (5) where the Customer is a business conducted by an individual, that individual.
- 1.7** The "Goods" means any goods or services set out in the Order.
- 1.8** "Group Company" means the Company and any holding company of the Company from time to time and any subsidiary from time to time of any such holding company, as such terms are defined in the Companies Act 2006.
- 1.9** The "Order" means the Customer's order for the Goods, via telephone, as set out in the Customer's purchase order form or in the Customer's acceptance of the Company's quotation in writing or via telephone, as the case may be.
- 1.10** The "Specification" means any specification for the Goods, including any related plans and drawings, that is agreed in writing by the Company and the Customer.

2. PREVAILING TERMS & CONDITIONS

- 2.1** The Company is only willing to contract on these Conditions, which apply to the Contract to the exclusion of any other terms that the Customer seeks to impose or incorporate, or which are implied by law, trade custom, practice or course of dealing. No variations from these Conditions are to have no legal effect unless agreed in writing by an authorised representative of the Company.
- 2.2** The Contract constitutes the entire agreement between the parties and the Customer acknowledges that in entering into the Contract it does not rely on any statement, promise, representation, assurance or warranty made or given by or on behalf of the Company (whether made innocently or negligently) which is not set out in the Contract. The Customer agrees that it shall have no claim for innocent or negligent representation.
- 2.3** The Customer waives any right it might otherwise have to rely on any term endorsed upon, delivered with or contained in any documents of the Customer that is inconsistent with these Conditions.

3. FORMATION OF CONTRACT

- 3.1** The Order constitutes an offer by the Customer to purchase the Goods in accordance with these Conditions. The Customer is responsible for ensuring that the terms of the Order and any applicable Specification are complete and accurate.
- 3.2** Any quotation from the Company shall not constitute an offer and is given to the Customer on the basis that no Contract will come into existence until the Customer's Order is accepted by the Company in writing or via the telephone. If the Customer's Order is not preceded by a quotation from the Company, the Customer's Order shall only be deemed accepted upon the Company confirming its acceptance of the Order to the Customer (either in writing or via telephone), at which point the Contract shall come into existence. For the avoidance of doubt, the Company's acceptance of an Order via the telephone is without prejudice to clause 2.1.
- 3.3** Upon the Company's acceptance of the Customer's Order, the Customer shall not be entitled to cancel the Order without the prior written consent of the Company.

- 3.4** Any samples, drawings or advertising produced by the Company and any descriptions or illustrations contained in the Company's catalogues or brochures are produced for the sole purpose of giving an approximate idea of the Goods referred to in them. They shall not form part of the Contract nor have any contractual force.

4. PRICING AND PAYMENT

- 4.1** The price of the Goods shall be the price set out in the Order, or, if no price is quoted, the price set out in the Company's published price list in force as at the date of delivery.
- 4.2** All prices are exclusive of:
- value added tax (VAT), which will be added to the price at the prevailing rate and which is the Customer shall be liable to pay, subject to the receipt of a valid VAT invoice; and
 - the costs and charges of packaging, insurance and carriage which shall be invoiced to the Customer in accordance with the rates published in the Company's published price lists in force as at the date of delivery.
- 4.3** The Company reserves the right to, by giving notice to the Customer at any time before delivery:
- increase the price of the Goods to reflect any increase in the cost of the Goods that is due to any:
 - factor beyond the Company's control (including foreign exchange fluctuations, increases in taxes and duties, and increases in labour, materials and other manufacturing costs);
 - request by the Customer to change the delivery date(s), quantities or types of Goods ordered, or the Specification; or
 - delay caused by any instructions of the Customer or failure of the Customer to give the Company adequate or accurate information or instructions.
 - alter carriage charges without notice to the Customer in the event of fuel surcharges being imposed by the Company's carriers. Small consignments may include a small order charge as published in the Company's price lists in force as at the date of delivery.
- 4.4** The Customer shall pay each invoice submitted by the Company:
- within 30 days from the end of the month in which the invoice was sent by the Company; and
 - in full and cleared funds to a bank account nominated in writing by the Company, and time for payment shall be of the essence of the Contract.
- 4.5** Without limiting the Company's remedies under clause 12 the Company reserves the right to charge interest at the rate of 4% a year over Lloyds Bank base rate from time to time (but at 4% a year for any period when the base rate is below 0%) on all overdue accounts, from the due date until payment of the overdue sum.
- 4.6** All amounts due under the Contract shall be paid in full without any set-off, counterclaim, deduction or withholding (other than any deduction or withholding of tax as required by law).

5. DELIVERY

- 5.1** Unless otherwise agreed in writing, the Company shall deliver the Goods to the location set out in the Order (the "Delivery Location") and, delivery of the Goods shall take place at any time after the Company notifies the Customer that the Goods are ready.
- 5.2** The Delivery is completed on the completion of unloading the Goods at the Delivery Location.
- 5.3** Please do not schedule or start any installation work until after you have received the Goods and checked all Goods for any defects or missing parts. This will enable you to resolve any technical questions or to order specific additional fittings if needed.
- 5.4** Any quotation by the Company of a time for delivery is not guaranteed and time for delivery shall not be made of the essence by notice.
- 5.5** No liability is accepted for any delay in the delivery of the Goods (even if caused by the Company's negligence). Nor shall any delay entitle the Customer to terminate or rescind the Contract unless such delay exceeds 60 days.

Terms & Conditions

- 5.6** In the absence of fraud or manifest error, the quantity of any consignment of Goods as recorded by the Company on despatch from the Company's place of business shall be conclusive evidence of the quantity received by the Customer on delivery.
- 5.7** The Company shall not be liable for any non-delivery of Goods (even if caused by the Company's negligence) unless the Customer gives written notice to the Company of the non-delivery within 5 working days of the time when the Goods would in the ordinary course of events have been received.
- 5.8** Any liability of the Company for non-delivery of the Goods shall be limited to replacing the Goods within a reasonable time or issuing a credit note at the pro rata Contract rate against any invoice raised for such Goods.
- 5.9** No claim for damage to the Goods or shortages in the Goods will be considered unless the Company is advised within 5 working days of delivery.
- 5.10** If the Customer fails to accept delivery of any of the Goods when they are ready for delivery (except where such failure is caused by the Company's failure to comply with its obligations under the Contract), or the Company is unable to deliver the Goods on time because the Customer has not provided appropriate instructions or documents, or does not hold the necessary licences or authorisations: (a) the Goods shall be deemed to have been delivered; and (b) the Company may store the Goods until delivery, whereupon the Customer shall be liable for all related costs and expenses (including, without limitation, storage and insurance).

6. TITLE AND RISK

- 6.1** The title to the Goods shall not pass to the Customer until:
- the purchase price of the Goods has been paid in full; and
 - the Company receives payment in full for any other goods that the Company has supplied to the Customer in respect of which payment has become due, in which case title to the Goods shall pass at the time of payment of all such sums.
- 6.2** Risk in the Goods shall pass to the Customer on completion of delivery, at which point the Customer shall be responsible for maintaining the Goods in satisfactory condition and appropriately insuring the Goods against all risks for their full price from the date of delivery.
- 6.3** Until title to the Goods has passed to the Customer, the Customer shall:
- keep the Goods separately from all other goods held by the Customer so that they remain identifiable as the Company's property;
 - not destroy, deface or obscure any identifying mark or packaging on or relating to the Goods; and
 - notify the Company immediately if it becomes subject to any of the events listed in clause 12.1(c).
- 6.4** At any time before title to the Goods passes to the Customer, the Company may require the Customer to deliver up all Goods in its possession that have not been resold or irrevocably incorporated into another product and if the Customer fails to do so promptly, enter any of the Customer's premises, or the premises of any third party where the Goods are stored, in order to recover the Goods.
- 6.5** The Company shall be entitled to recover payment for the Goods notwithstanding that ownership of any of the Goods has not passed from the Company.
- 7. GOODS**
- 7.1** Due to a continual policy of product development the Company reserves the right to amend Specifications where required. The Company further reserves the right to amend the Specification if required by any applicable statutory or regulatory requirement, and the Company shall notify the Customer in any such event.
- 7.2** Irrespective of any suggestions and guidance given by the Company in its literature or otherwise it is the Customer's responsibility to ensure the installation of the Goods complies with all regulations and requirements that apply to the Customer's site.
- 7.3** To the extent that the Goods are to be manufactured in accordance with a Specification supplied by the Customer, the Customer shall indemnify the Company against all liabilities, costs, expenses, damages and losses

(including any direct, indirect or consequential losses, loss of profit, loss of reputation and all interest, penalties and legal and other reasonable professional costs and expenses) suffered or incurred by the Company in connection with any claim made against the Company for actual or alleged infringement of a third party's intellectual property rights arising out of or in connection with the Company's use of the Specification. This Clause 7.3 shall survive termination of the Contract.

8. WARRANTY

- 8.1** All catalogue products are guaranteed for life apart from where it indicates otherwise, subject to this Clause 8.1. The Company will free of charge repair or at its option replace any Goods which are proved to its reasonable satisfaction to have failed to meet any Specification due to defective material or workmanship, provided that this obligation shall not apply where: (a) the Goods have been improperly installed, or installed with a defect without the written authority of the Company, or altered in any way, or are subject to any unauthorised repair or misuse, or (b) the Customer has failed to provide documentary notification and proof of a defect or suspected defect or returned the goods for inspection within 14 days of the same coming to the knowledge of the Customer, or (c) the Customer is in breach of this or any other contract with the Company. Except as provided in this Clause 8.1 (and subject to Clause 13.2), the Company shall have no liability to the Customer in respect of the Goods' defects or failure including without limitation, any failure to meet any Specification due to defective material or workmanship. The Customer shall provide the Company with such access to the Goods that are the subject of any defect as the Company reasonably requires. The Company reserves the right to charge the Customer a reasonable fee in advance to cover the cost of any visits to inspect Goods where any defect claim is asserted by the Customer pursuant to this Clause 8.1. Any such fee paid shall be reimbursed to the Customer where the Company accepts the defect claim following the inspection of the Goods.
- 8.2** The Company warrants to the Customer that any services that are comprised within the Goods will be provided by the Company using reasonable care and skill.
- 8.3** To the greatest extent permitted by law, the Company hereby excludes all conditions, warranties and stipulations express or implied, statutory, customary or otherwise which but for such exclusion would or might subsist in favour of the Customer (including, without limitation, the terms implied by sections 13 to 15 of the Sale of Goods Act 1979 and sections 3, 4 and 5 of the Supply of Goods and Services Act 1982).
- 9. RETURNS**
- 9.1** The Customer shall notify the Company within 30 days of the date of delivery of the Goods, should it wish to return the Goods and any returns shall be subject to the prior approval of the Company. The Company disclaims liability for goods returned without the authority of the Company. Any Goods approved for return must be advised quoting the Company's invoice number and returns number.
- 9.2** The Company disclaims any risk or liability for any returns whilst in transit to the Company.
- 9.3** All returns must be in the original packaging. Only items printed on the returns form are authorised for return. The Company reserves the right to return any non-authorised items to the Customer. The Customer is required to check the Goods in order to ensure it is happy with the Goods before signing any Goods delivery.
- 9.4** The Company reserves the right to deduct repackaging or restocking fees (where applicable) from any credit/refund amount, or to apply charges direct to the Customer's account. If a return is made using a third-party carrier proof of postage must be retained.
- 9.5** The Company reserves the right to not credit an account if proof of postage cannot be provided and also the right to charge such collection charges as may apply from time to time.
- 9.6** The following items may not be returned by the Customer: - made-to-measure products, kitchen units and any Goods made in accordance with a bespoke specification of the Customer.
- 10. RIGHT TO SUB-CONTRACT OR ASSIGN**
- 10.1** The Company shall be entitled to, at any time, mortgage, charge, sub-contract, delegate, declare a trust over, assign or deal in any other manner with any or all of its rights and obligations under the Contract.

Terms & Conditions

10.2 The Customer shall not be entitled to assign, transfer, mortgage, charge, subcontract, delegate, declare a trust over or deal in any other manner with any of its rights and obligations under the Contract or any part of it without the prior written consent of the Company.

11. FORCE MAJEURE

11.1 If the Company is prevented or hindered from making delivery of any Goods or completion of any work by reason of acts of God, civil disturbance, industrial action (including labour disputes involving the work force or any part of the work force of the Company), government action or any other cause whatever beyond the Company's control, the Company may give notice to the Customer either: (a) cancelling the Company's outstanding obligations under the Contract, or (b) extending the time for delivery or completion by a period not exceeding four months.

12. TERMINATION

12.1 Without limiting its other rights or remedies, the Company may terminate the Contract with immediate effect upon service of written notice to the Customer on the happening of any one or more of the following:

- (a) the Customer commits a material breach of any term of the Contract;
- (b) the Customer fails to pay any amount due under the Contract on the due date for payment;
- (c) the Customer takes any step or action in connection with its entering administration, provisional liquidation or any composition or arrangement with its creditors (other than in relation to a solvent restructuring), obtaining a moratorium, being wound up (whether voluntarily or by order of the court, unless for the purpose of a solvent restructuring), having a receiver appointed to any of its assets or ceasing to carry on business or, if the step or action is taken in another jurisdiction, in connection with any analogous procedure in the relevant jurisdiction;
- (d) the Customer's financial position deteriorates so far as to reasonably justify the opinion that its ability to give effect to the terms of the Contract is in jeopardy.

12.2 On termination of the Contract for any reason the Customer shall immediately pay to the Company all of the Company's outstanding unpaid invoices and interest and, in respect of Goods supplied but for which no invoice has been submitted, the Company shall submit an invoice, which shall be payable by the Customer immediately on receipt.

12.3 Termination of the Contract, however arising, shall not affect any of the parties' rights and remedies that have accrued as at termination, including the right to claim damages in respect of any breach of the Contract which existed at or before the date of termination.

12.4 Any provision of the Contract that expressly or by implication is intended to come into or continue in force on or after termination of the Contract shall remain in full force and effect.

13. LIABILITY

13.1 References to liability in this Clause 13 include every kind of liability arising under or in connection with the Contract including liability in contract, tort (including negligence), misrepresentation, restitution or otherwise.

13.2 Nothing in the Contract limits any liability which cannot legally be limited, including liability for:

- (a) death or personal injury caused by negligence;
- (b) fraud or fraudulent misrepresentation;
- (c) breach of the terms implied by section 12 of the Sale of Goods Act 1979; or
- (d) defective products under the Consumer Protection Act 1987.

13.3 Subject to Clause 13.2, the Company's total liability to the Customer under each Contract shall not exceed 100% of the price paid or payable by the Customer for the Goods in respect of the Contract.

13.4 Subject to Clause 13.2, the following types of loss are wholly excluded:

- (a) loss of profits;
- (b) loss of sales or business;
- (c) loss of agreements or contracts;

(d) loss of anticipated savings;

(e) loss of use or corruption of software, data or information;

(f) loss of or damage to goodwill; and

(g) indirect or consequential loss.

13.5 No term of the Contract shall apply so as to have the effect of unlawfully limiting or excluding the legal rights of a Customer who is acting in the capacity of a consumer (being an individual acting for purposes which are wholly or mainly outside that person's trade, business, craft or profession).

14. CONFIDENTIALITY

14.1 Each party undertakes that it shall not at any time disclose to any person, or use for any purpose other than performing its obligations or enforcing its rights hereunder, any confidential information concerning the business, assets, affairs, customers, clients or suppliers of the other party.

15. GENERAL

15.1 Notices.

(a) Any notice or other communication given to a party under or in connection with the Contract shall be in writing, addressed to that party at its registered office (if it is a company) or its principal place of business (in any other case) or such other address as that party may have specified to the other party in writing in accordance with this clause, and shall be delivered personally, or sent by pre-paid first class post or other next working day delivery service, commercial courier or email.

(b) A notice or other communication shall be deemed to have been received: if delivered personally, when left at the address referred to in clause 15.1(a); if sent by pre-paid first class post or other next working day delivery service, at 9.00 am on the second Business Day after posting; if delivered by commercial courier, on the date and at the time that the courier's delivery receipt is signed; or, if sent by email, one Business Day after transmission.

(c) The provisions of clause 15.1 shall not apply to the service of any proceedings or other documents in any legal action.

15.2 Severance. If any provision of the Contract is found by any court, tribunal or administrative body of competent jurisdiction to be wholly or partly illegal, invalid, void, voidable, unenforceable or unreasonable it shall to the extent of such illegality, invalidity, voidness, voidability, unenforceability or unreasonableness be deemed severable and the remaining provisions of the Contract and the remainder of such provision shall continue in full force and effect.

15.3 Waiver. Failure or delay by the Company in enforcing or partially enforcing any provision of the Contract shall not be construed as a waiver of any of its rights under the Contract. Any waiver by the Company of any breach of, or any default under, any provision of the Contract by the Customer shall not be deemed a waiver of any subsequent breach or default and shall in no way affect the other terms of the Contract.

15.4 Third party rights. The parties to the Contract do not intend that any term of the Contract shall be enforceable by virtue of the Contracts (Rights of Third Parties) Act 1999 by any person that is not a party to it.

16. GOVERNING LAW AND JURISDICTION

16.1 The Customer and the Company agree that the Contract and any dispute or claim (including non-contractual disputes or claims) arising out of or in connection with it or its subject matter or formation, shall be governed by and construed in accordance with English law and each party irrevocably agrees that the courts of England and Wales shall have exclusive jurisdiction to settle any dispute or claim (including non-contractual disputes or claims) arising out of or in connection with the Contract or its subject matter or formation.

17. CREDIT CHECKS

17.1 To help the Company decide whether to enter into a Contract and to help the Company manage the Customer's account, the Company may search any of the following records, namely the Data Subjects' personal and business records at Credit Reference Agencies, the Company's own records and those of any Group Company concerning Data Subjects and Data Subjects' records at UK or overseas fraud prevention agencies. A record of the Company's searches will be made and this will be

Terms & Conditions

available to other organisations who make similar searches. Credit Reference Agencies may supply to the Company both public (including electoral register) and shared credit and fraud prevention information. The Company may also use information it obtains from the Customer's performance of any other agreement or contract it has or has had with any Group Company. The Company may also use identity verification, credit scoring or other automated decision-making systems.

17.2 The Company will add to the Data Subjects' records with the Credit Reference Agencies by giving information relating to the Data Subjects, the Contract and information about the Customer's payment record. The Company will also tell them of any delay or default in payment or otherwise and any change of address the Customer fails to notify to the Company when any payment is overdue. It is important that Data Subjects supply accurate information to the Company. The Company may check Data Subjects' details with fraud prevention agencies and if the Company is given false or inaccurate information or the Company suspects fraud, it will record this and may pass on this information to fraud prevention agencies and other organisations involved in crime and fraud prevention. Credit Reference Agencies and fraud prevention agencies may record any information supplied to them by the Company. Records remain on file for six years or other period permitted by applicable law.

17.3 This information may be supplied to, shared with and cross checked by other UK or overseas businesses and organisations (including any Group Company, lenders, Credit Reference Agencies, fraud prevention agencies, credit industry fraud avoidance networks and any other company that the Company may select from time to time):

- (a) to assess applications for credit and relate services made by Data Subjects;
- (b) to trace debtors, recover debt, to prevent fraud and money laundering;
- (c) to make decisions about a Data Subject's account;
- (d) to carry out statistical analysis and market research;
- (e) for such other purposes required or permitted by law, including the General Data Protection Regulation (GDPR).

17.4 The Company may also give information about Data Subjects to:

- (a) the Company's insurer;
- (b) anyone acting on the Company's behalf, including a Group Company;
- (c) any finance house;
- (d) companies or other bodies which maintain registers of assets and interests in them; and
- (e) credit industry fraud avoidance networks for the purpose of administration, underwriting and processing.

17.5 The identities of the Credit Reference Agencies and the ways in which they use and share personal information are explained in more detail at <https://www.experian.co.uk/legal/crain/>.

17.6 Fraud prevention agency records will also be shared with other organisations to help make decisions on credit proposals for Data Subjects. For these purposes the Company or they may make further searches.

17.7 Information held about Data Subjects by the Credit Reference Agencies may already be linked to records relating to one or more of their partners. For the purposes of the Contract, Data Subjects may be treated as financially linked and the Customer's application will be assessed with reference to any associated records. If the Customer is a joint applicant or a Data Subject has told the Company of some other financial association with another person, the Customer and applicable Data Subjects must be sure that they are entitled to disclose information about the applicable joint applicant and anyone referred to by them and authorise the Company to search, link or record information at Credit Reference Agencies about them and anyone referred to by them. An "association" between joint applicants and between applicants and anyone referred to by them a financial partner will be created at Credit Reference Agencies. This will link the financial records of applicants and all such persons, each of which will be taken into account in all future applications by any of the applicants and all such persons. This will continue until one of them successfully files a disassociation at the Credit Reference Agencies.

17.8 If a Customer has obtained credit from the Company and does not make payment when due, the Company will trace the Customer's whereabouts and recover debts.

17.9 The Company may contact Data Subjects from time to time with details of other products and services which it or third parties offer. Any such contact will be aligned with the requirements of the General Data Protection Regulation (GDPR), and Data Subjects will have the option to opt-out of this type of contact. For this purpose, the Company may make use of an automated decision-making programme now and in the future. It may also share information about Data Subjects to any Group Company. The Company will never sell your Personal Data to any third parties. Data Subjects may be contacted by post, telephone, or other means. Data Subjects have a legal right to stop the Company from contacting them or giving their details to others for direct marketing purposes. Please write to the Company at our address at AKW Medi-Care Limited, Unit 404 Pointon Way, Hampton Lovett, Droitwich Spa, Worcestershire WR9 0LR if you wish to exercise this right.

17.10 Data Subjects have several legal rights with regard to the Personal Data the Company holds about them. These rights granted under the General Data Protection Regulation (GDPR) include the right to be informed, the right of access, the right to rectification, the right to erasure, the right to restrict processing, the right to data portability, the right to object and rights in relation to the use of automated data profiling or decision-making systems. The Company has procedures in place to uphold these rights and fulfil and related requests within thirty days from acknowledgement. Further details can be found in our Privacy Notice or you may contact GDPR.enquiries@akw-ltd.co.uk.

17.11 By agreeing to these terms and conditions, Data Subjects accept that the Company may use information concerning them in the way described above. The Company will take steps to ensure Personal Data is collected fairly, used for the purposes stated, stored securely and only retained.

18. DEMENTIA SERVICES DEVELOPMENT CENTRE

The Dementia Services Development Centre at the University of Stirling have undertaken a review of this product and have rated its design in relation to dementia design principles and its usability within a dementia-inclusive environment. For ease of identification, the suitability of the product is classified by number with corresponding explanation of use, within the ratings key provided. The DSDC Accredited Product logo is awarded on the merit of the individual product and colour-way. This accreditation does not merit the manufacture or final application of the product. Whilst every endeavour has made to ensure the ratings are reflective of the products suitability and applied use at the time of print, DSDC cannot be held responsible for the application of the final product, its performance or its interface with other products or finishes. For an environment to be considered 'dementia-inclusive' or 'dementia-friendly' careful consideration must be given to the specification of adjoining finishes, their performance specification (for example light reflectance value (LRV), slip resistance and use of pattern) and their suitability for their intended use. The DSDC Accredited Product logo is awarded on the merit of the individual product and colour-way. This accreditation does not merit the manufacture or final application of the product. Whilst every endeavour has made to ensure the ratings are reflective of the products suitability and applied use at the time of print, DSDC cannot be held responsible for the application of the final product, its performance or its interface with other products or finishes. For an environment to be considered 'dementia-inclusive' or 'dementia-friendly' careful consideration must be given to the specification of adjoining finishes, their performance specification (for example light reflectance value (LRV), slip resistance and use of pattern) and their suitability for their intended use.



Orders & Quotes

01905 823 299
orders@akw-ltd.co.uk

General Enquiries

01905 823 298
sales@akw-ltd.co.uk

Technical Enquiries

01905 560 219
tech@akw-ltd.co.uk

Kitchen Enquiries

01905 823 262
kitchens@akw-ltd.co.uk

Fax

01905 823 297

AKW

Pointon Way, Hampton Lovett
Droitwich Spa, WR9 0LR

www.akw-ltd.co.uk

orders.akw-ltd.co.uk



AKW[®]
Life Made Better