

Product Overview

Onyx 2 Straight Grab Rails feature a polished chrome, triangular-shaped rail for improved grip when moving around the bathroom, showering, or using the toilet.

Made from durable aluminium alloy and supplied with matt-finish cool white bracket covers as standard, the design can be easily customised to suit a range of bathroom decors with a choice of 9 interchangeable bracket covers available to order separately.

Onyx 2 Grab Rails are designed to complement the Onyx collection of contemporary showering accessories and mobility aids.

Features & Benefits

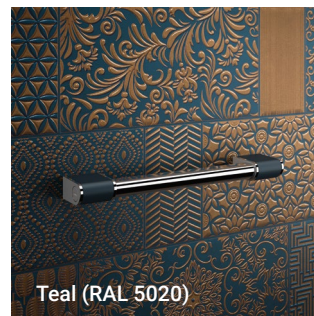
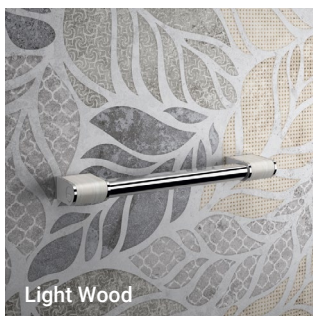
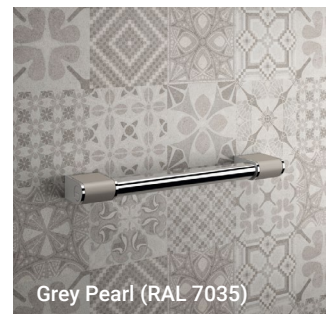
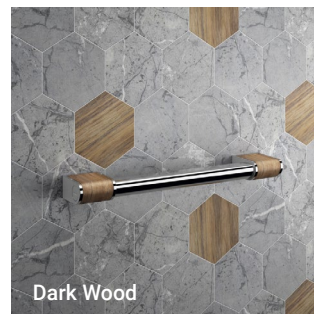
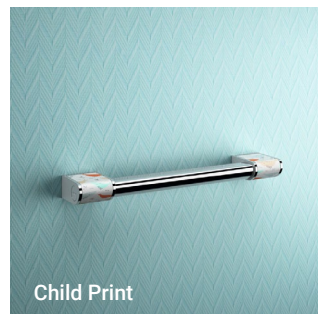
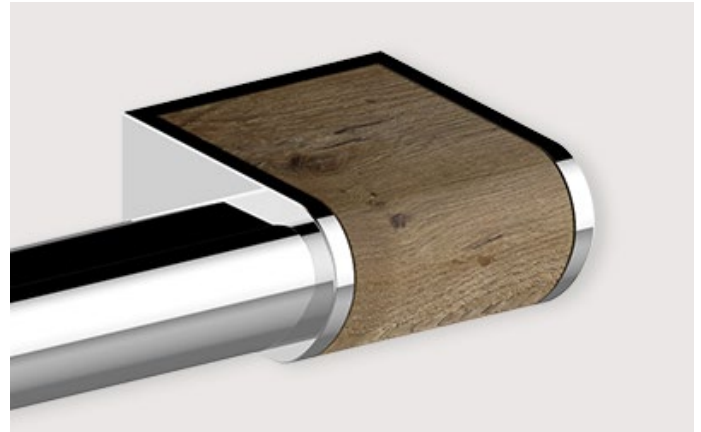
- + Available in 300 / 450 / 600mm lengths
- + Ergonomic, triangular-shaped rail offers improved grip for greater stability when moving around the bathroom, showering, or using the toilet
- + White bracket covers with matt finish supplied with rails as standard
- + Variety of interchangeable bracket covers allows users to customise the rail to suit their bathroom décor; available in 9 different designs and can be ordered separately
- + Strong and durable aluminium alloy construction ensures rails provide a maximum weight capacity of 150kg / 23.5st
- + 4 fixing points per wall bracket for strength and stability; each rail has 2 wall brackets
- + All fixing points are concealed by a removable bracket cover which makes the rail easier to clean and protects internal components from exposure to water, dust, and dirt
- + Minimalist, industrial-inspired design complements the wider range of Onyx mobility aids
- + Optional non-handed shower handset holder can be fitted to exterior wall brackets and allows users to position a shower handset at a lower height than a riser rail may allow, ideal for those seated when showering; available separately



Onyx 2 Straight Grab Rails

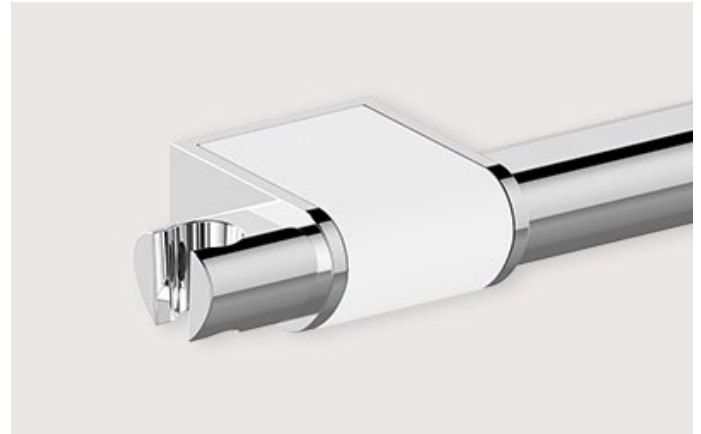
Interchangeable Wall Bracket Covers

- + ABS plastic interchangeable covers slide on/off wall brackets to allow users to customise their grab rail while protecting internal components from exposure to water, dust, and dirt
- + White bracket covers supplied as standard
- + 9 alternative options available separately
- + Variety of matt finish colours and printed designs
- + Supplied in pairs



Handset Holder

- + Aluminium handset holder with polished chrome finish
- + Fit onto horizontal end bracket when installing to provide an alternative resting position for shower handset, ideal for users who are seated when showering or those with limited reach
- + Available to order separately



Technical Specification

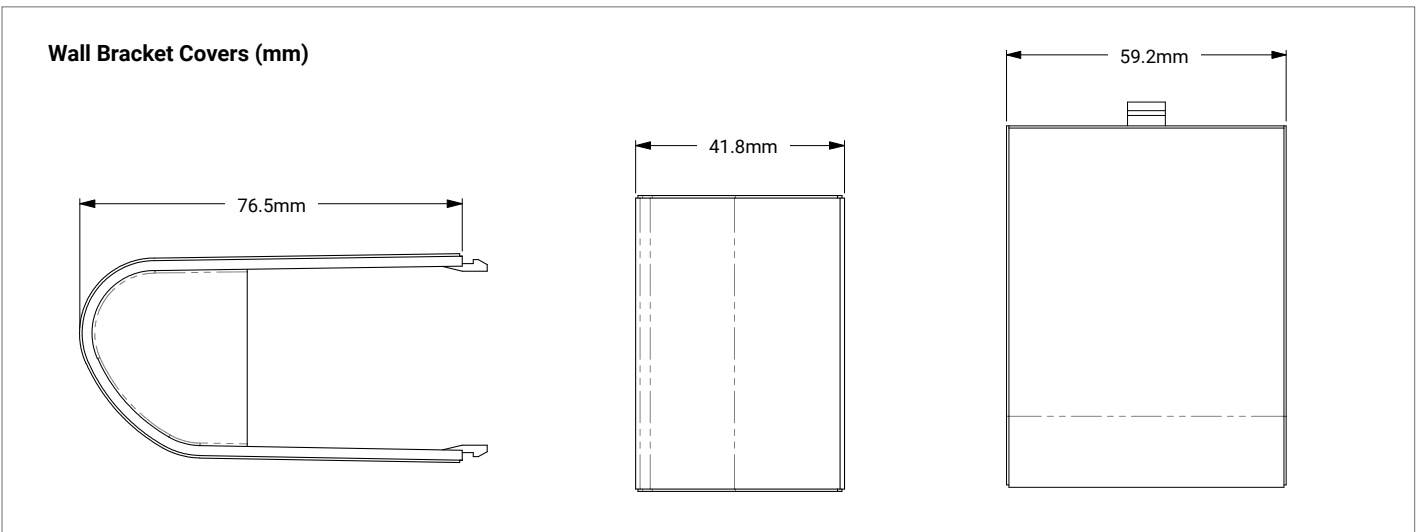
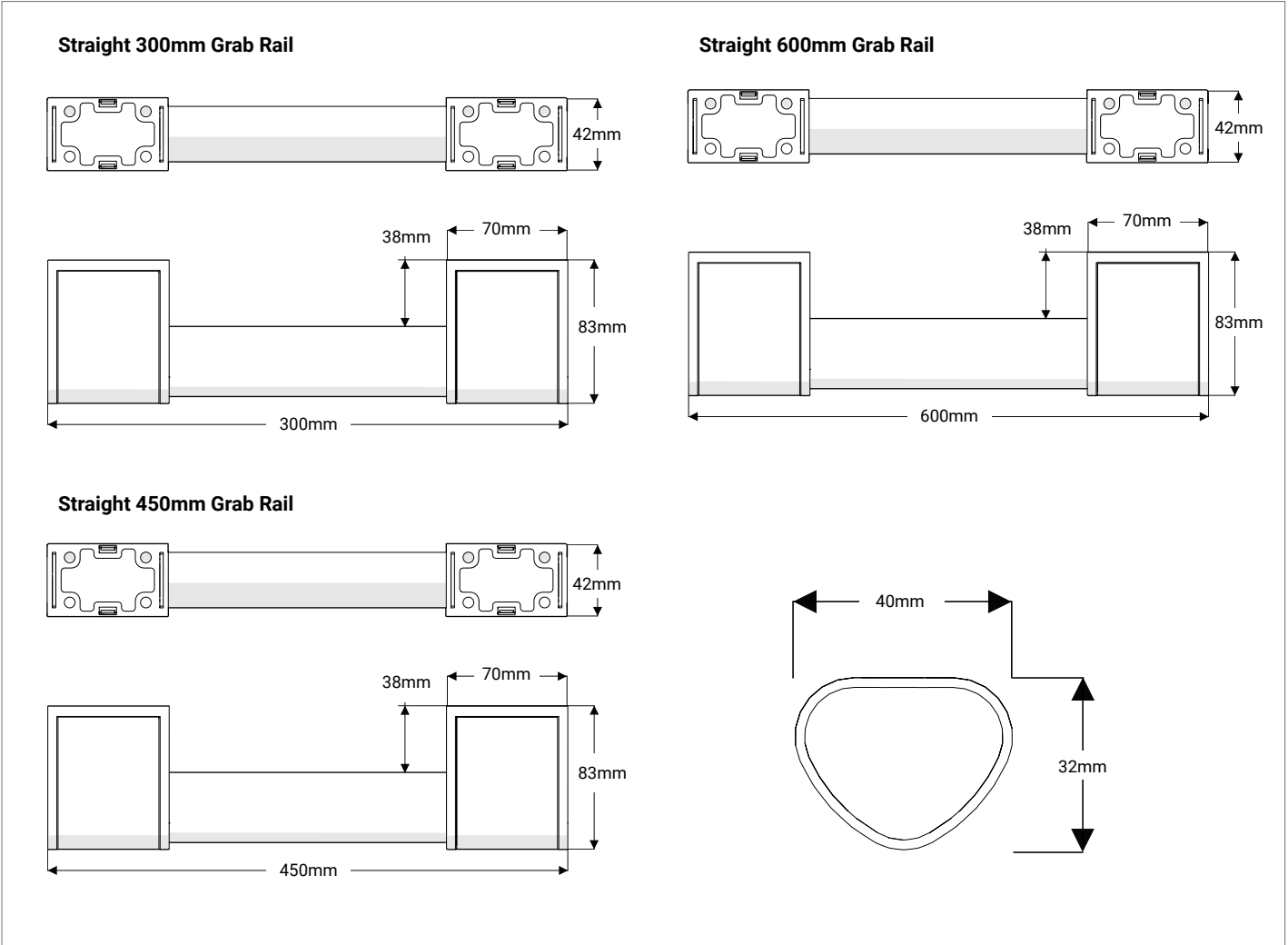
- + Colour/Finish: Polished chrome rail and wall brackets, matt finish cool white bracket covers
- + Materials: Aluminium alloy rail, die-cast aluminium alloy wall brackets with ABS plastic bracket covers, stainless steel washers and bolts
- + Maximum Weight Load: 150kg / 23.5st
- + Fixing Points: 4 per wall bracket (2 wall brackets per rail)
- + Wall Clearance: 38mm



Warranty & Approvals



Dimensions



Onyx 2 Straight Grab Rails

Product Codes

Onyx 2 Straight Grab Rail Chrome & White 300mm	12801-LS
Onyx 2 Straight Grab Rail Chrome & White 450mm	12802-LS
Onyx 2 Straight Grab Rail Chrome & White 600mm	12803-LS

Optional Extras & Spares

Onyx 2 Pair of Interchangeable Wall Bracket Covers Beige	12806BG-LS
Onyx 2 Pair of Interchangeable Wall Bracket Covers Black	12806BK-LS
Onyx 2 Pair of Interchangeable Wall Bracket Covers Carbon	12808CR-LS
Onyx 2 Pair of Interchangeable Wall Bracket Covers Child Print	12808CH-LS
Onyx 2 Pair of Interchangeable Wall Bracket Covers Dark Wood	12808DW-LS
Onyx 2 Pair of Interchangeable Wall Bracket Covers Grey Pearl	12806GP-LS
Onyx 2 Pair of Interchangeable Wall Bracket Covers Light Wood	12808LW-LS
Onyx 2 Pair of Interchangeable Wall Bracket Covers Taupe	12806TP-LS
Onyx 2 Pair of Interchangeable Wall Bracket Covers Teal	12806TE-LS
Onyx 2 Pair of Interchangeable Wall Bracket Covers White	12806WH-LS
Onyx 2 Handset Holder	12810-LS