

## Product Overview

The Onyx 2 135° Angled Grab Rail features a polished chrome, triangular-shaped rail for improved grip when moving around the bathroom, showering, or using the toilet.

Made from durable aluminium alloy and supplied with matt-finish cool white bracket covers as standard, the design can be easily customised to suit a range of bathroom decors with a choice of 9 interchangeable bracket covers available to order separately.

Onyx 2 Grab Rails are designed to complement the Onyx collection of contemporary showering accessories and mobility aids.

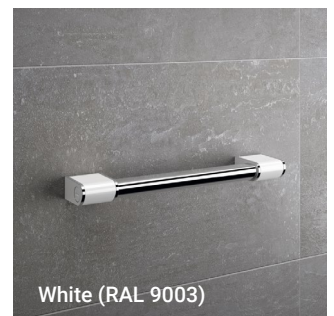
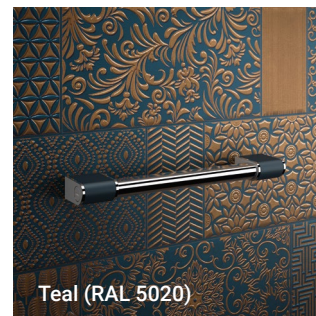
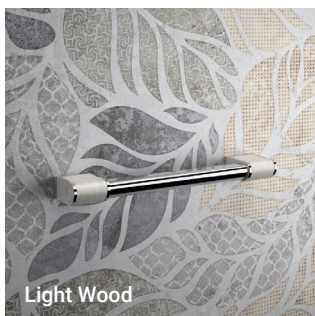
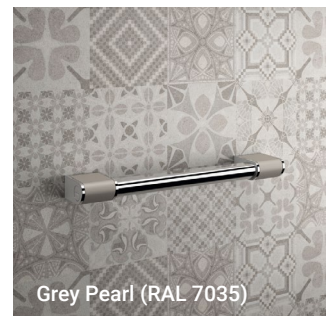
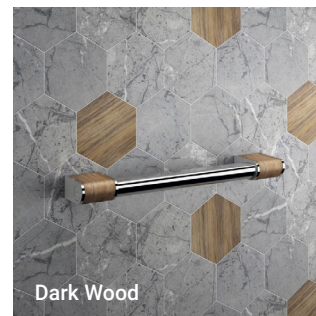
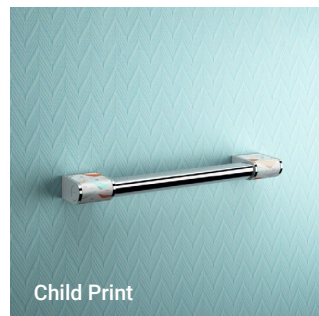
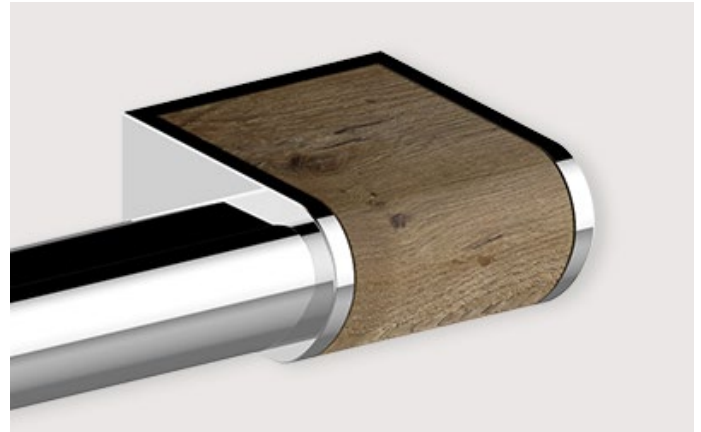


## Features & Benefits

- + Design features 2 x 400mm 135° angled rails with connecting centre bracket for additional support
- + Ergonomic, triangular-shaped rail offers improved grip for greater stability when moving around the bathroom, showering, or using the toilet
- + White bracket covers with matt finish supplied with rail as standard
- + Variety of interchangeable bracket covers allows users to customise the rail to suit their bathroom décor; available in 9 different designs and can be ordered separately
- + Strong and durable aluminium alloy construction ensures rail provides a maximum weight capacity of 150kg / 23.5st
- + 4 fixing points per wall bracket for strength and stability; each rail has 3 wall brackets
- + All fixing points are concealed by a removable bracket cover which makes the rail easier to clean and protects internal components from exposure to water, dust, and dirt
- + Minimalist, industrial-inspired design complements the wider range of Onyx mobility aids
- + Optional non-handed shower handset holder can be fitted to exterior wall brackets and allows users to position a shower handset at a lower height than a riser rail may allow, ideal for those seated when showering; available separately

### Interchangeable Wall Bracket Covers

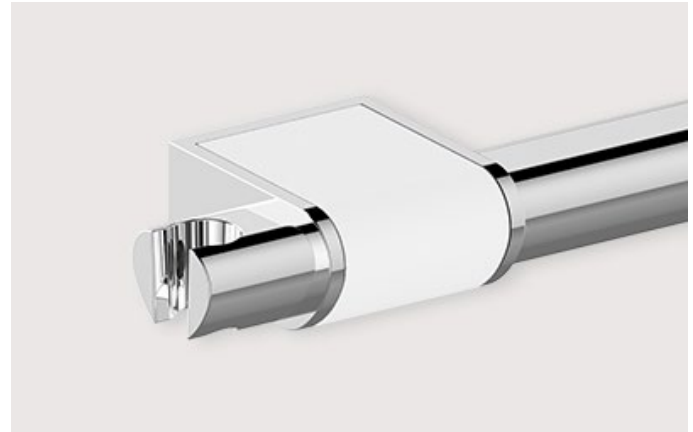
- + ABS plastic interchangeable covers slide on/off wall brackets to allow users to customise their grab rail while protecting internal components from exposure to water, dust, and dirt
- + White bracket covers supplied as standard
- + 9 alternative options available separately
- + Variety of matt finish colours and printed designs
- + Supplied in pairs



## Onyx 2 135° Angled Grab Rail

### Handset Holder

- + Aluminium handset holder with polished chrome finish
- + Fit onto horizontal end bracket when installing to provide an alternative resting position for shower handset, ideal for users who are seated when showering or those with limited reach
- + Available to order separately



### Technical Specification

- + Colour/Finish: Polished chrome rail and wall brackets, matt finish cool white bracket covers
- + Materials: Aluminium alloy rail, die-cast aluminium alloy wall brackets with ABS plastic bracket covers, stainless steel washers and bolts
- + Maximum Weight Load: 150kg / 23.5st
- + Fixing Points: 4 per wall bracket (3 wall brackets per rail)
- + Wall Clearance: 38mm

### Warranty & Approvals



### Product Codes

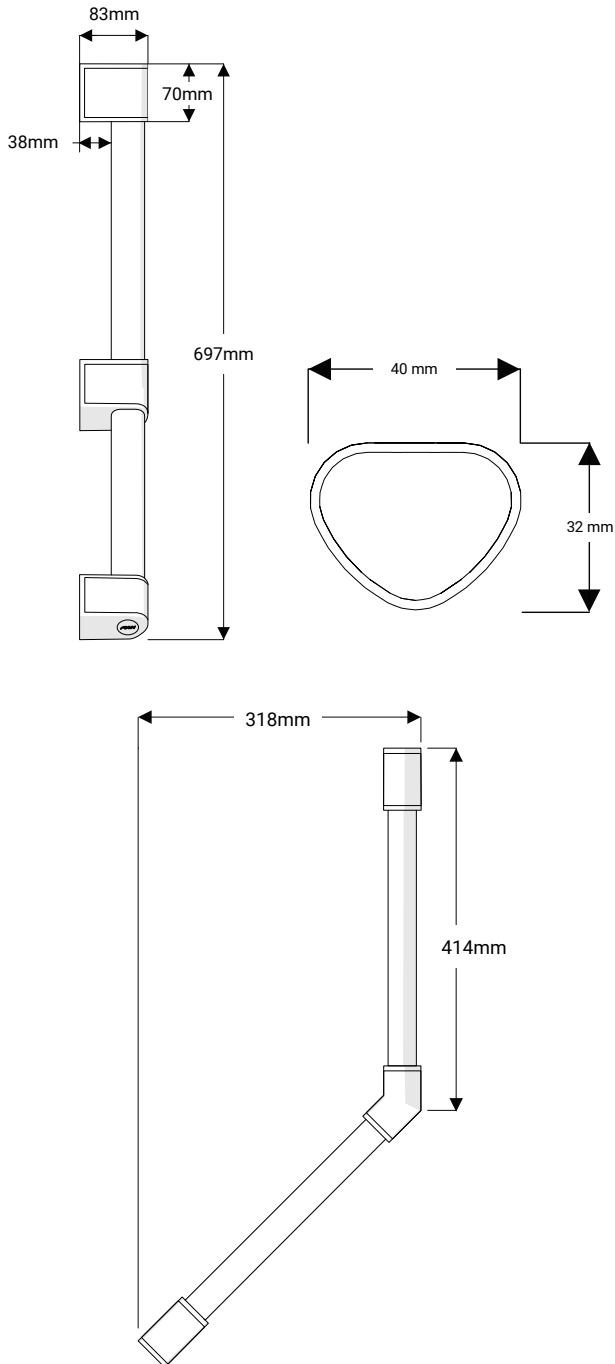
Onyx 2 135° Angled Grab Rail Chrome & White 400x400mm 12804-LS

### Optional Extras & Spares

Onyx 2 135° Angled Interchangeable Wall Bracket Covers Beige	12807BG-LS
Onyx 2 135° Angled Interchangeable Wall Bracket Covers Black	12807BK-LS
Onyx 2 135° Angled Interchangeable Wall Bracket Covers Carbon	12809CR-LS
Onyx 2 135° Angled Interchangeable Wall Bracket Covers Child Print	12809CH-LS
Onyx 2 135° Angled Interchangeable Wall Bracket Covers Dark Wood	12809DW-LS
Onyx 2 135° Angled Interchangeable Wall Bracket Covers Grey Pearl	12807GP-LS
Onyx 2 135° Angled Interchangeable Wall Bracket Covers Light Wood	12809LW-LS
Onyx 2 135° Angled Interchangeable Wall Bracket Covers Taupe	12807TP-LS
Onyx 2 135° Angled Interchangeable Wall Bracket Covers Teal	12807TE-LS
Onyx 2 135° Angled Interchangeable Wall Bracket Covers White	12807WH-LS
Onyx 2 Handset Holder	12810-LS

**Dimensions**

**135° Angled Grab Rail (mm)**



**135° Wall Bracket Covers (mm)**

