

**Product Overview:** A thermostatically controlled bath shower mixer.

**Features and Benefits:**

- Easy to grip temperature and flow handles for those with limited dexterity
- Temperature override button offering flexibility
- Independently operated flow and temperature override button for safety
- Maximum pre-set temperature of 38°C
- Rounded edges and corners helping prevent injury



Civetta<sup>®</sup> TMV2 Bar Shower Mixer

**Product Specification:**

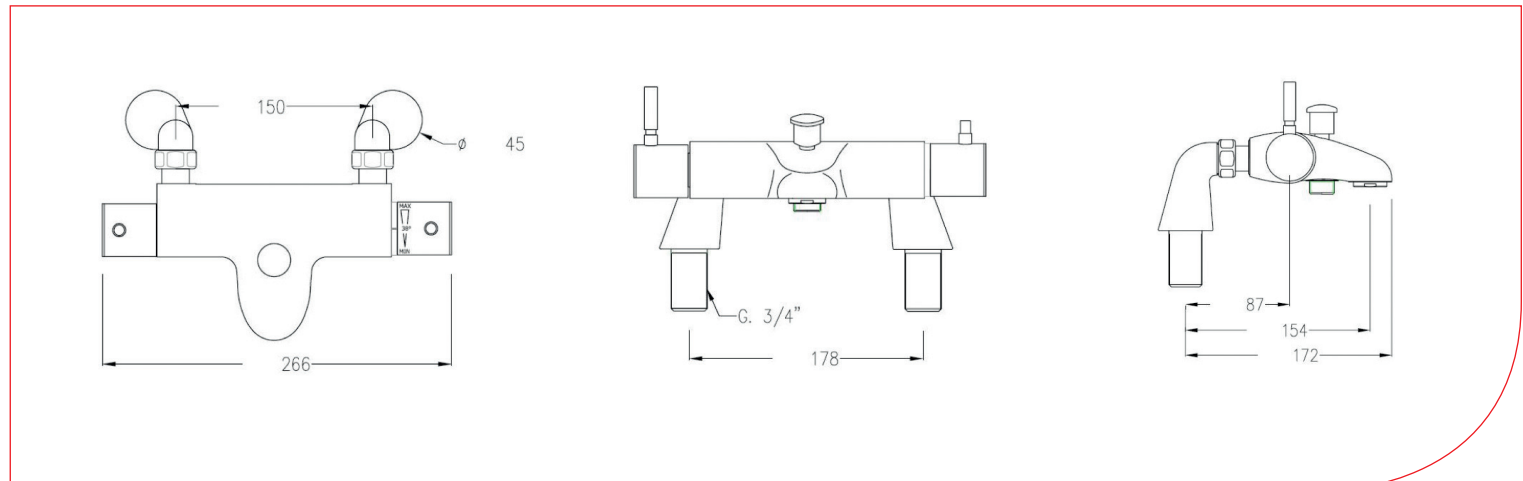
Operating Water Pressure	0.2 to 5 BAR
Dimension for Fitting	150mm Inlet Centres
Water Entry	Bottom
Inlet Connectors	3/4" BSP
Max Static Pressure	10 BAR
Valve Type	Thermostatic bath shower mixer with independent flow and temperature control
Approvals	TMV2, WRAS
Max Pre-Set Temperature	38°C
Max Pressure Difference Between Hot And Cold Water Supply	1 BAR
Maximum Flow	34 L/Min @ 3 BAR

**Additional Information:**

TMV2 Thermostatic mixer valves are designed to prevent injury by hot water scalding in the event of a reduction in cold water pressure or flow. The maximum mixed water temperature allowed for a TMV2 valve is 41°C for shower applications.

TMV2 Applies to mixer valves intended for domestic use and are ideal for environments with vulnerable users particularly children and the elderly.

**Dimensions:**



## Product Codes:

Code	Description
23389	Civetta <sup>®</sup> Thermostatic Bath Shower Mixer

## Guarantee & Certification:

- Lifetime Guarantee
- 10 years on the cartridge and all mechanical moving parts
- TMV2 Approval

