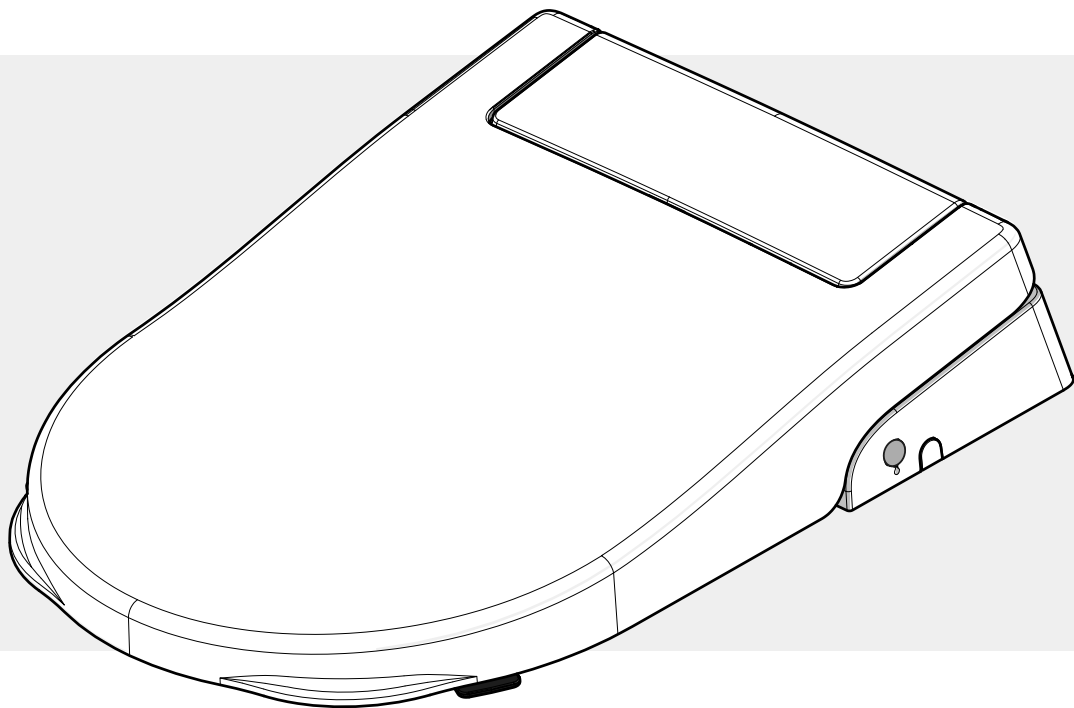


AKW
Life Made Better

AKW BIDET

INSTALLATION INSTRUCTIONS



Ergonomic Bidet Seat

Side Entry: 30502

Bottom Entry: 30504

Consilio Bidet Seat

Side Entry: 30501

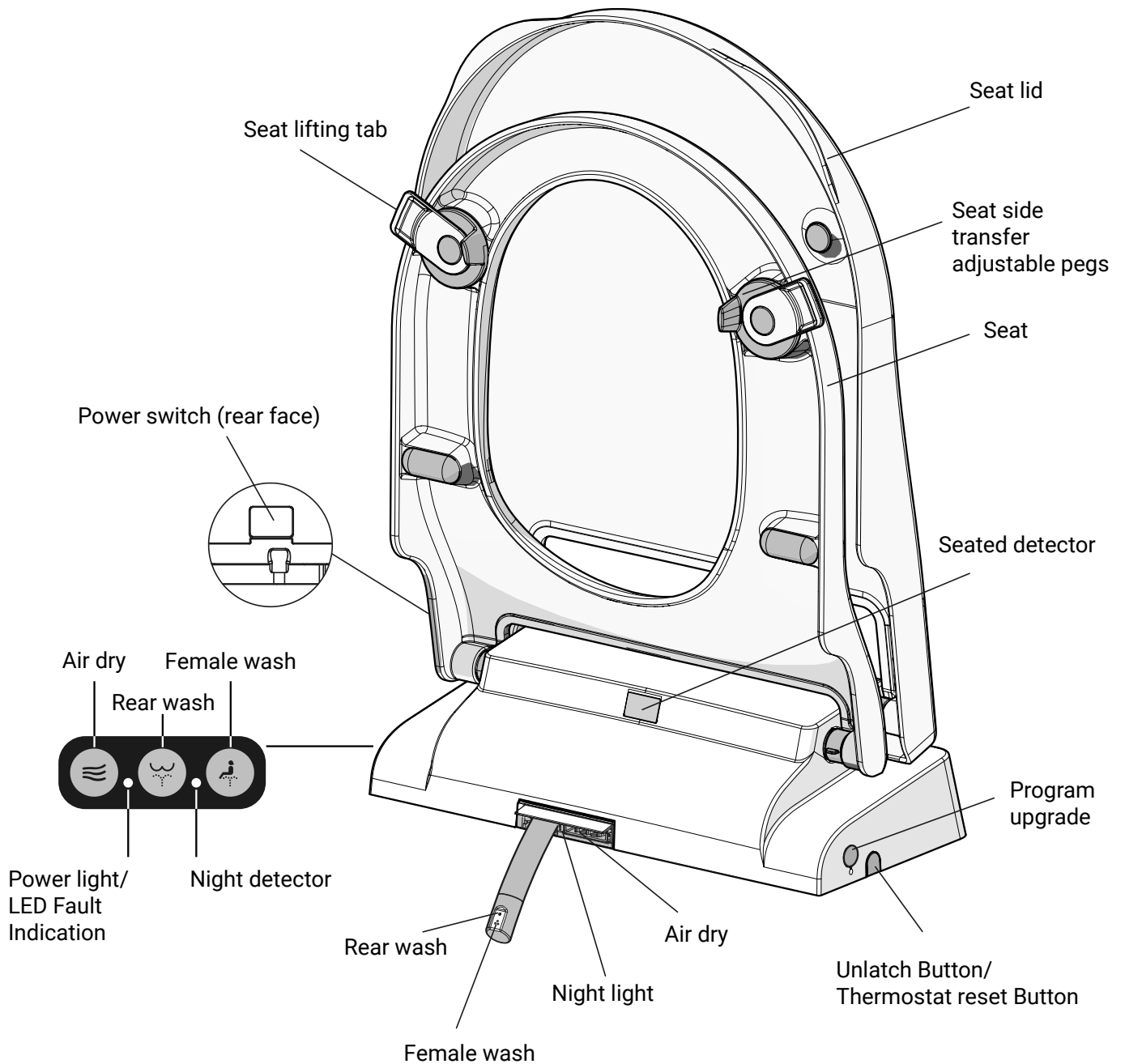
Bottom Entry: 30503



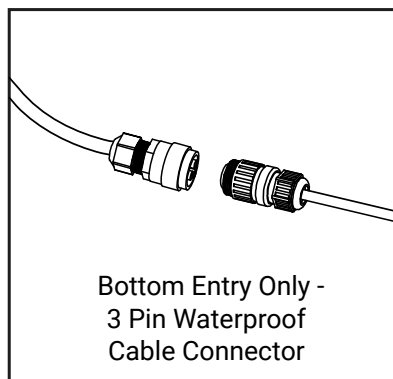
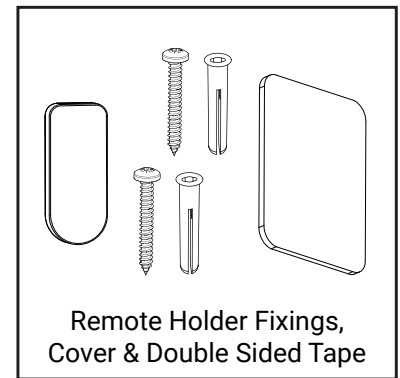
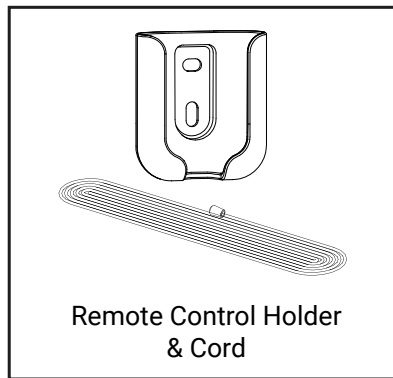
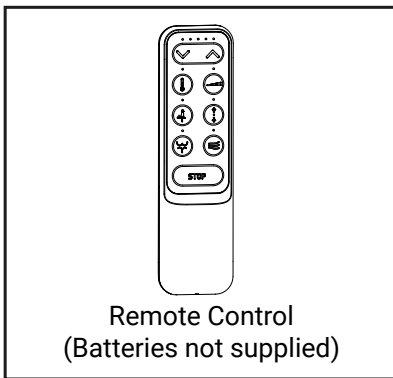
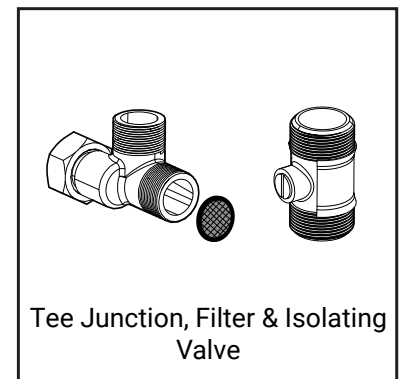
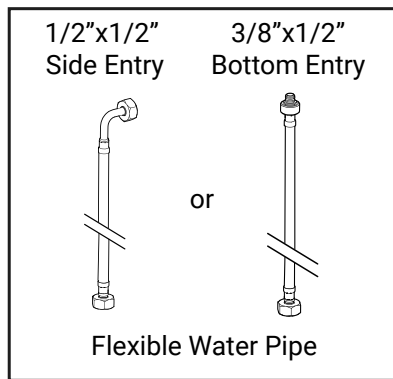
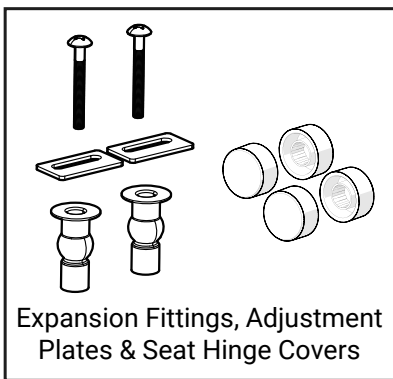
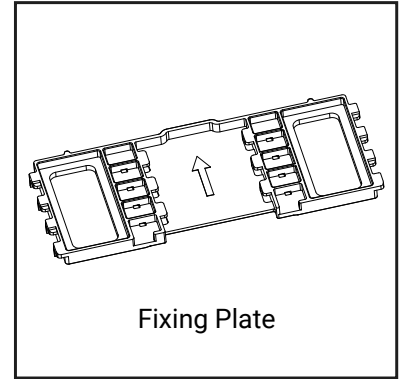
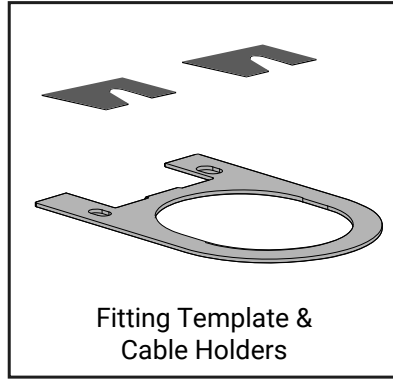
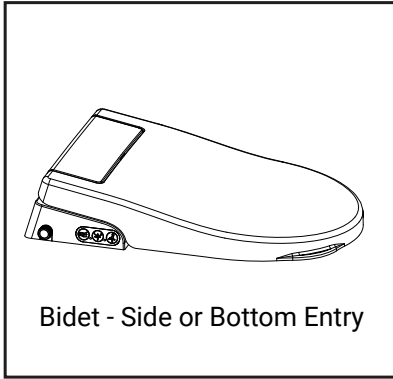
Please read all instructions before installation and leave this document with the end user for future reference as it contains important warranty information

Table of Contents

Overview	3
Contents	4
Important Safety Information.....	5
Important Information	6
Technical Specification.....	7
Technical Dimensions.....	8
Side Entry Installation	9-10
Bottom Entry Installation	11-12
Remote Control Installation.....	13-14
Maintenance	15
Contact Us.....	16



Contents





TO REDUCE THE RISK OF FIRE, ELECTRIC SHOCK OR INJURY:

Installation of this appliance must be carried out in accordance with these instructions by a competent and experienced installer. The supplier shall not be liable for any loss arising from the failure to comply with the following instructions.

Before you start

Remove all protective covering and carefully remove the product from the packaging. Notify the retailer immediately of any damage or faults. The manufacturer cannot be held responsible for any installation costs that may arise from damaged or faulty products being installed and not in accordance with these instructions. Dispose of all packaging in accordance with the local recycling authorities.

SAFETY

- Isolate the electrical and water supplies before commencing installation.
- This equipment is “Class 1” type electrical appliance, and must be Earthed.
- The equipment is an electrical appliance, do not install in areas with high humidity or where it can be easily splashed with water or exposed to high temperatures. (Eg. steam rooms and saunas). Ensure that an extractor fan is installed to aid good ventilation when using the bathroom.
- The appliance must be permanently connected to a wired mains power supply and not plugged into a electrical socket. If the power supply cord is damaged, it must be replaced by the installer or similarly qualified persons in order to avoid a hazard.
- The appliance must be permanently connected to the cold water supply with an isolating valve.
- Do not switch on the appliance if water is leaking from the casing. Isolate the electricity supply immediately and then isolate the water supply.
- This appliance can be used by children aged from 8 years and above and persons with reduced physical, sensory or mental capabilities or lack of experience and knowledge if they have been given supervision or instruction by a person responsible for their safety and shown how to use the appliance in a safe way and understand the hazards involved.
- Children must not play with the appliance. Cleaning and user maintenance must not be undertaken by children.

Important Information

CAUTION

- Only connect to the mains cold water supply and test the water supply pressure. Depending on the water pressure to the installation, the AKW Bidet will need to be adjusted to operate at that pressure. See Water Pressure Mode setting, Page 6 in the user manual.
- After the installation, make sure to check all water supply connections for leaks. Rubber washers should be in place for the water connection hoses and tee junction.
- Do not open/close the seat/seat lid cover using excessive force.
- Ensure that the user is familiar with the operation of the bidet and leave the user manual with the owner.
- Exercise caution that urine does not come into contact with the warm air dryer outlet. Failure to do so may result in bad odours or malfunction.
- Do not tilt or turn the bidet upside down if there is any water in the tank. See page 15.
- If the appliance is not to be used for a long period of time (more than a few weeks), switch off the appliance at the mains, isolate the water supply and drain the heater tank. See page 15.
- When this appliance has reached the end of its serviceable life, it should be disposed of in a safe manner in accordance with current local authority recycling or waste disposal policy.

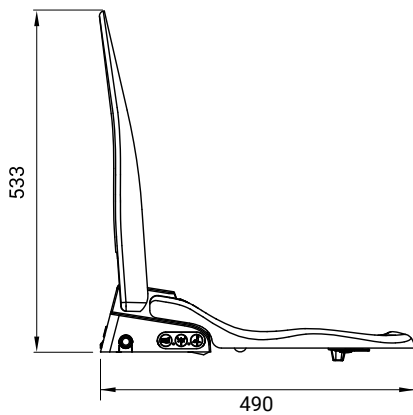
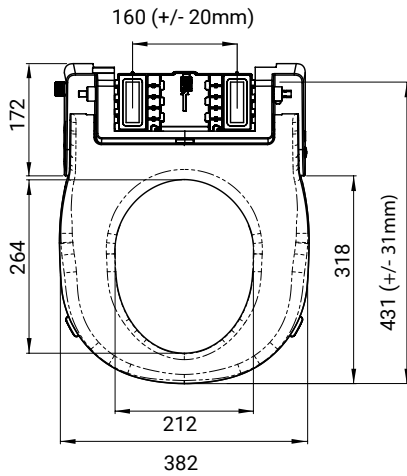
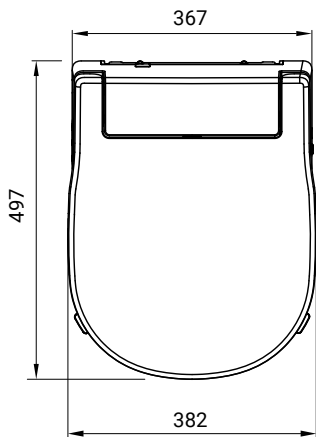
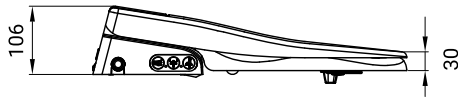
These instructions are provided to advise the minimum standards of installation and recommends what the best practice for the installation is. Due to the very wide variability of possible installation conditions, AKW cannot provide all circumstances for the installation. AKW cannot accept any liability in connection with this information or its use. This information is provided on the condition that the person receiving it shall make their own tests to determine the suitability for the particular purpose. Failure to install this AKW product in accordance with supplied instructions or the making of unauthorised modifications will invalidate any warranty and may affect product safety. None of the foregoing affects your statutory rights.

Technical Specification

Wash	Rear Wash Female Wash Oscillating Spray Pulsating Spray Oscillating and Pulsating Spray Adjustable Water Temperature Temperature Modes Adjustable Flow Rate Adjustable Spray Position	Yes Yes Yes Yes Yes 6 Levels (Default 4th) Constant Temperature (Default) and Gradual cooling 5 Steps (Default 3rd) 5 Steps (Default 3rd)
Warm Air	Air Drying Adjustable Dryer Temperature Adjustable Dryer Rate	Yes 6 Levels (Default 3rd) 5 Steps (Default 3rd)
Hygiene	Nozzle Auto Cleaning Nozzle Manual Cleaning	Yes Yes
Features	Night Light Soft Closing Seat and Cover Quick Release Seat and Cover Control Buttons Remote Control	Yes Yes Yes Yes Yes
Specification	Water Supply Connector Water Supply Direction	G 1/2" / G 3/8" Side Entry / Bottom Entry
	Water Supply Pressure (Standard) Water Supply Pressure (Low) Water Supply Temperature Rated Voltage Power Rating Length of Power Cord Ambient Temperature Protection Degree Maximum Weight Loading	Min 0.5 (dynamic)~Max 8 (static) Bar Min 0.2 (dynamic)~Max 8 (static) Bar 4~30°C AC230V, 50Hz 1750W approx. 1.5m 4~40°C IPX4 150kG
Wash Device	Flow Rate (Standard) Flow Rate (Low) Water Temperature Wash Cycle Time (Standard) Wash Cycle Time (low) Heating Mode Safety Device Back Flow Prevention	600~1000mL/min 450~650mL/min 31~39°C 2 Minutes at constant temperature mode or 1 minute at gradual cooling mode. 1 Minute at constant temperature mode and gradual cooling mode. Element Thermal Fuse\Liquid Level Switch\Thermostat Air Gap
Dry Device	Minimum Air Volume Maximum Dryer Power Warm Air Temperature Dry Cycle Time Safety Device	0.2m³/min 350W 40~52°C 3 minutes Thermal Fuse/Thermostat
Remote Control	Frequency Maximum RF Output Power Type of Batteries	~2460MHz 0dBm 2x 1.5V LR03 AAA (not included)

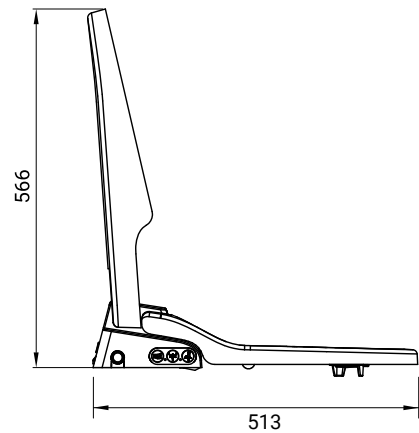
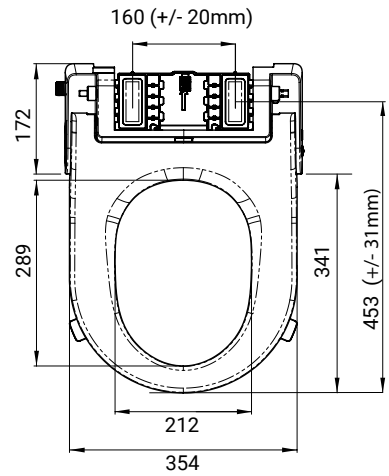
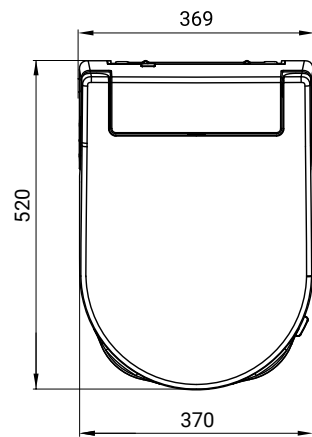
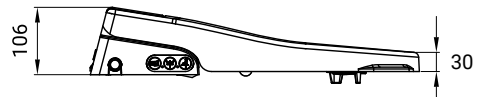
Ergonomic Bidet Seat

Side Entry: 30502
Bottom Entry: 30504



Consilio Bidet Seat

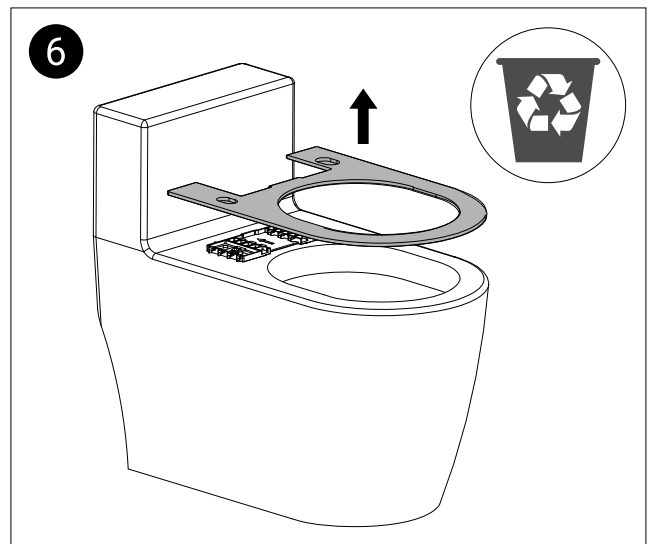
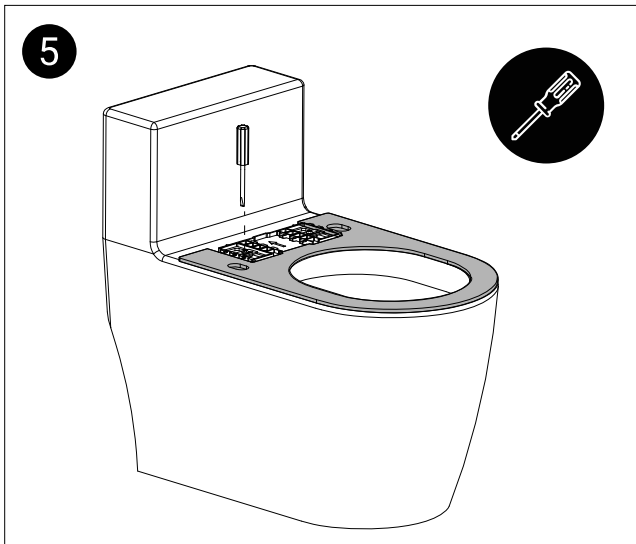
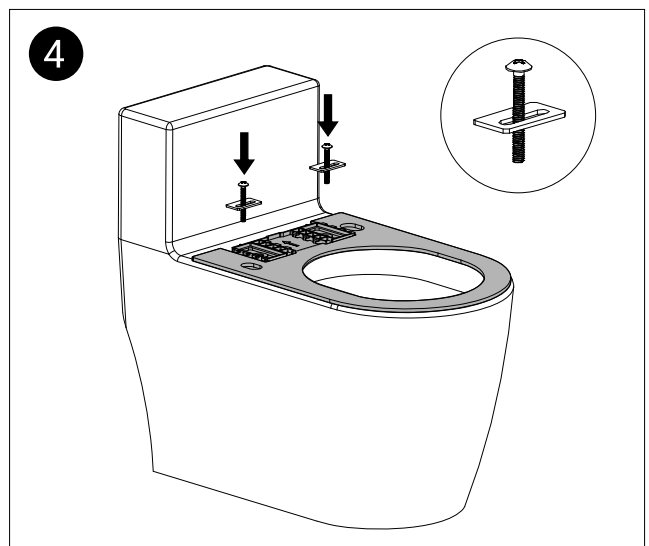
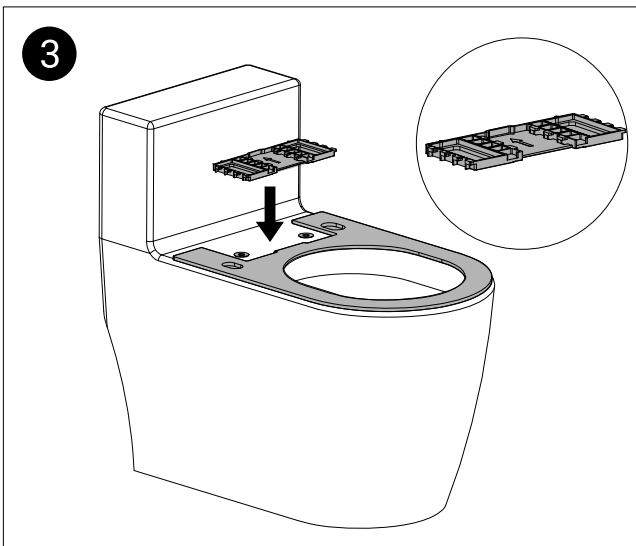
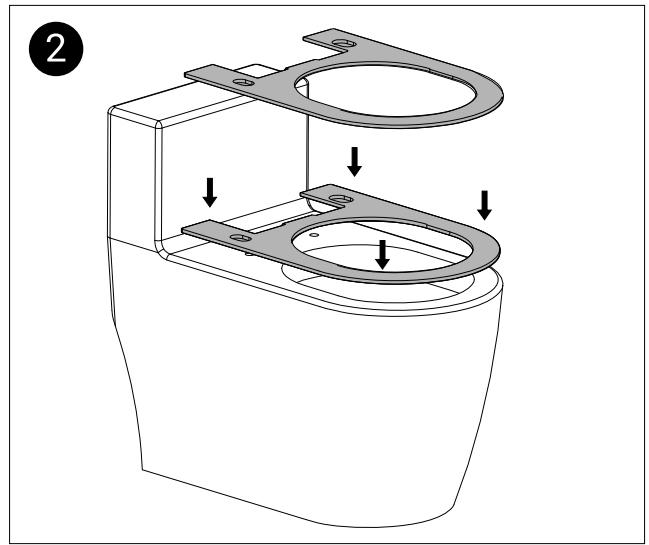
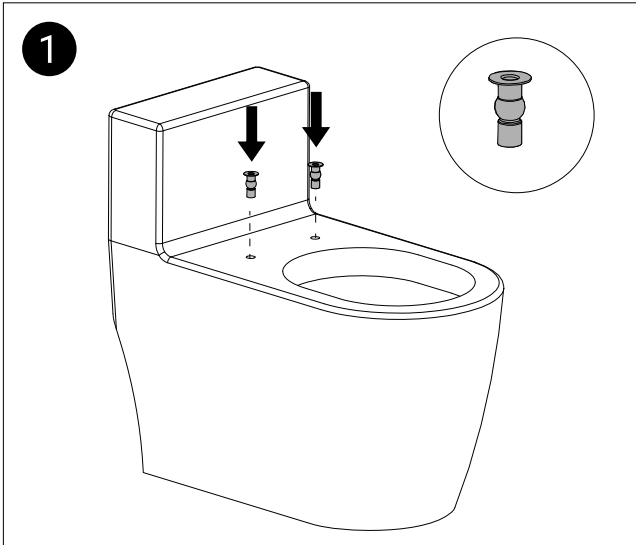
Side Entry: 30501
Bottom Entry: 30503



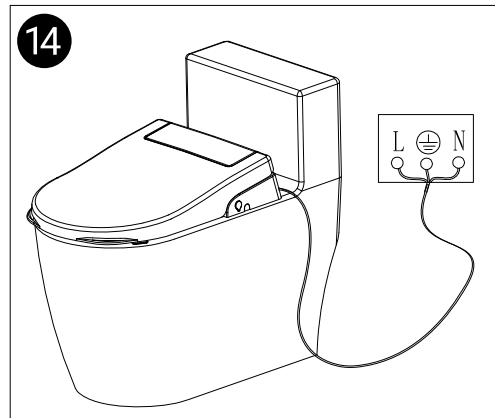
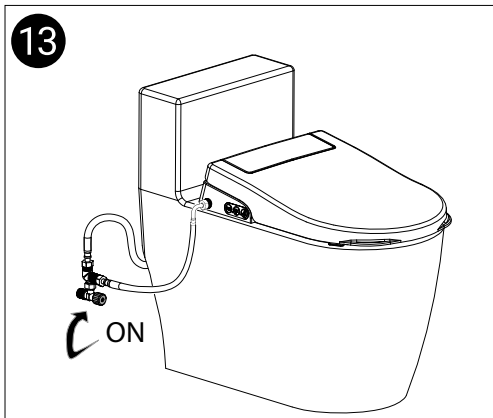
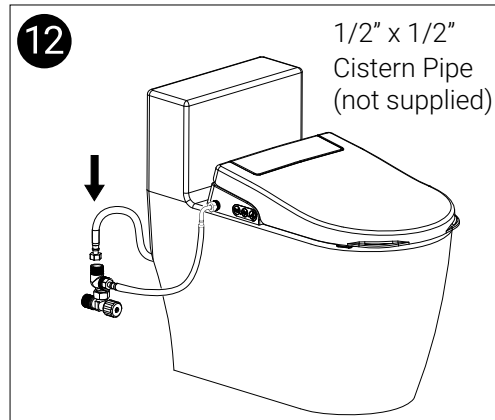
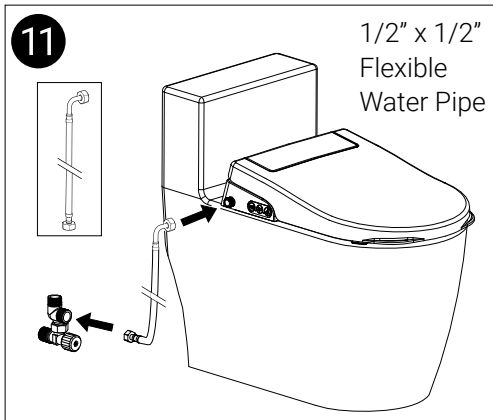
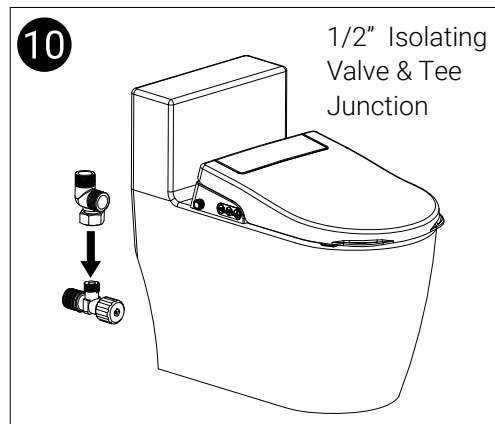
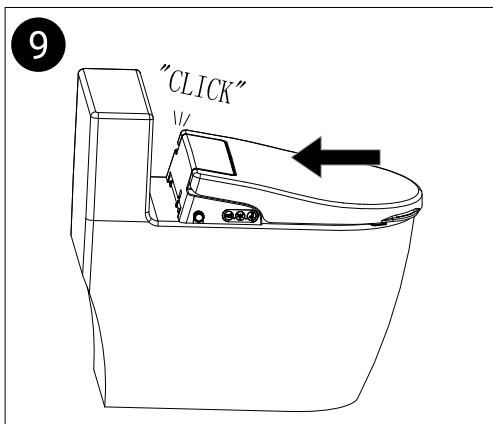
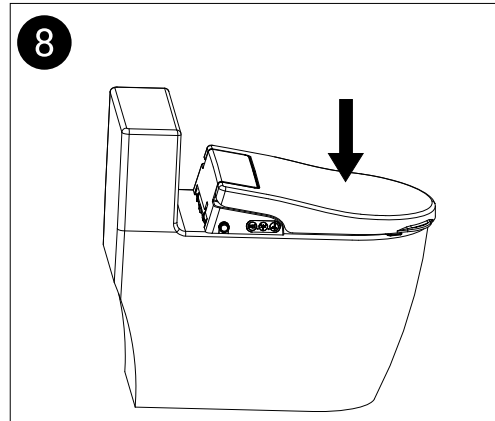
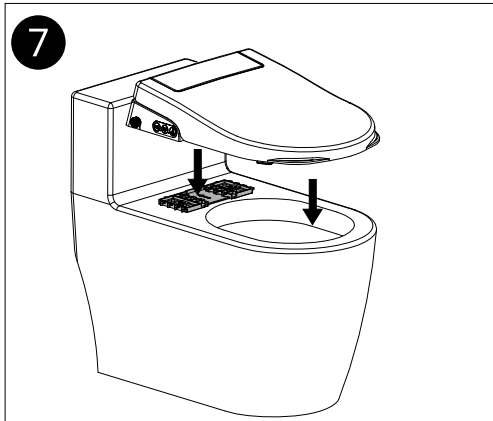
Side Entry Installation



Caution: Ensure that the power supply is turned off at the mains supply and the water is turned off at the isolation valve.



Side Entry Installation

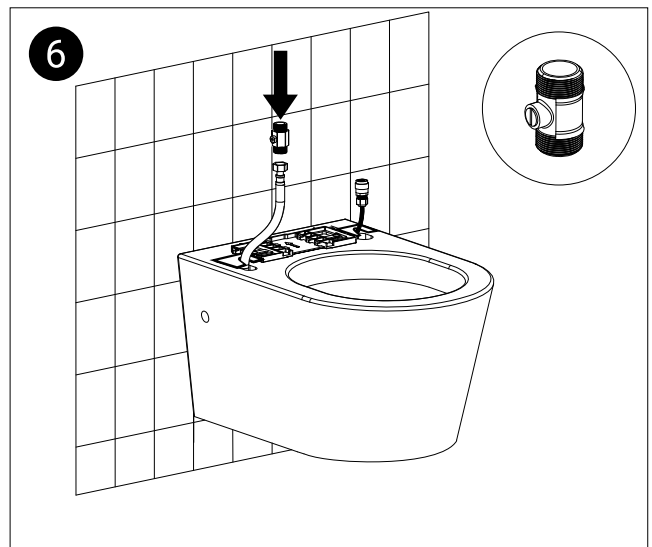
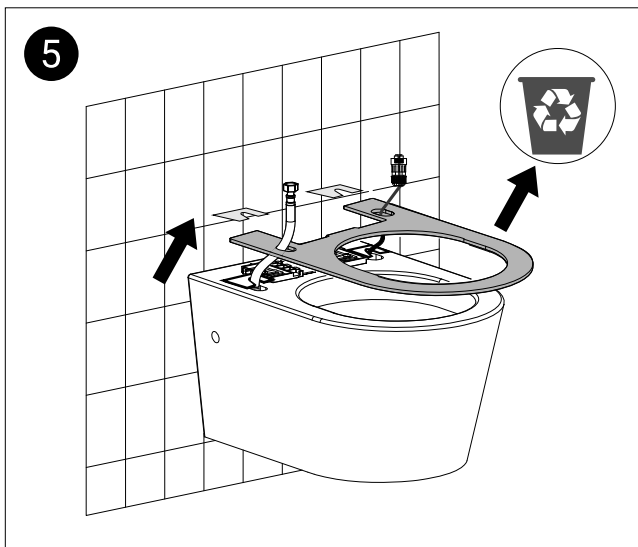
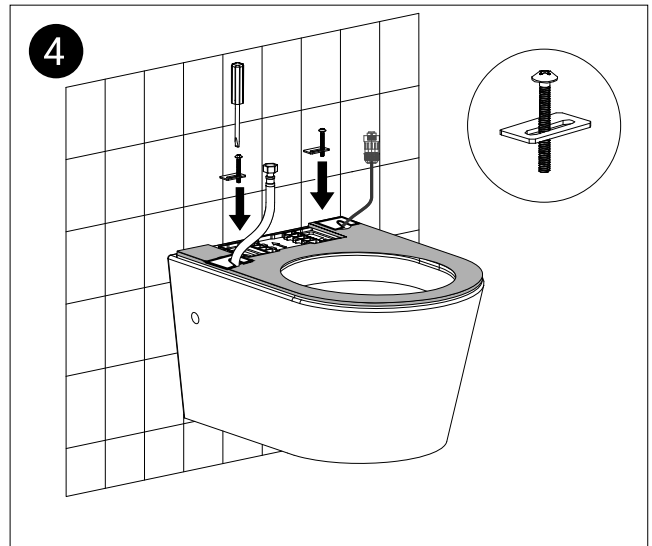
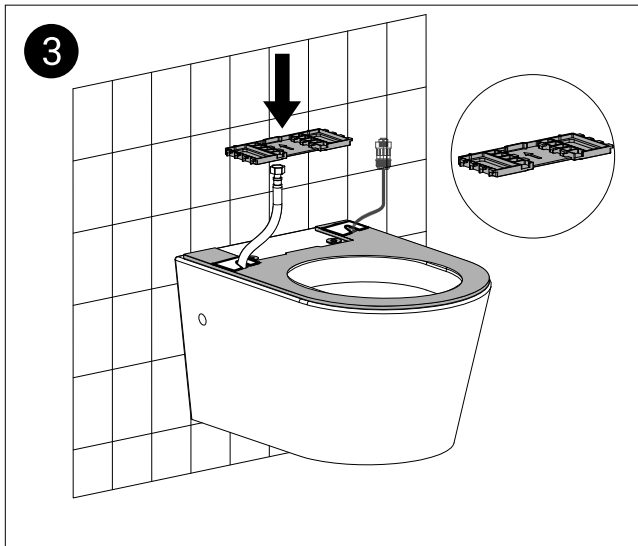
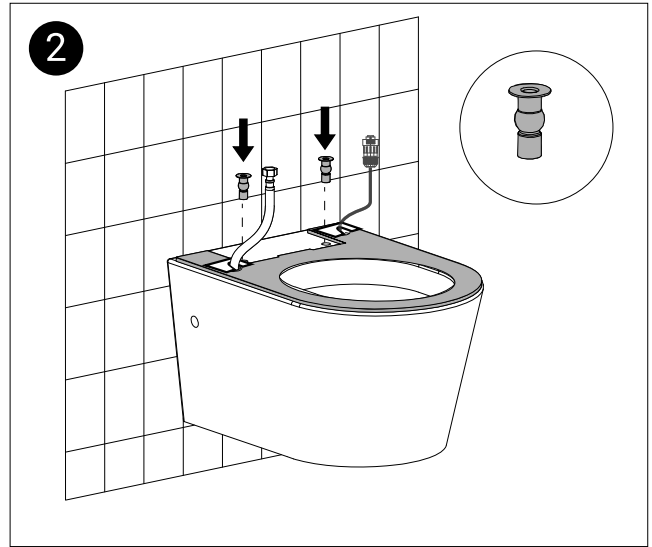
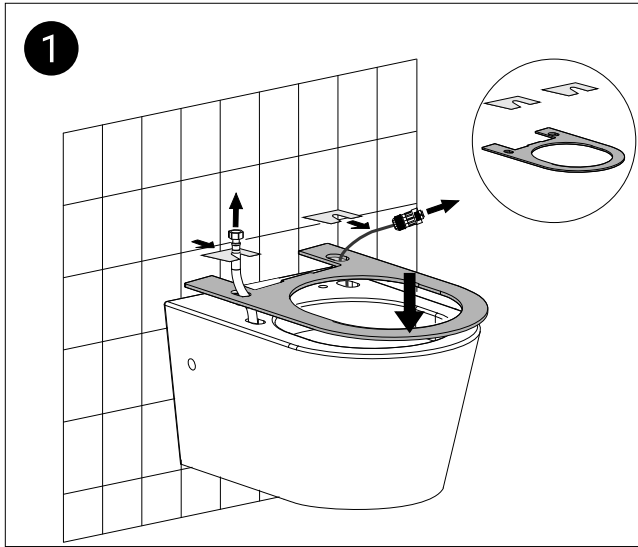


Refer to the user instructions for AKW Bidet functions and operations.

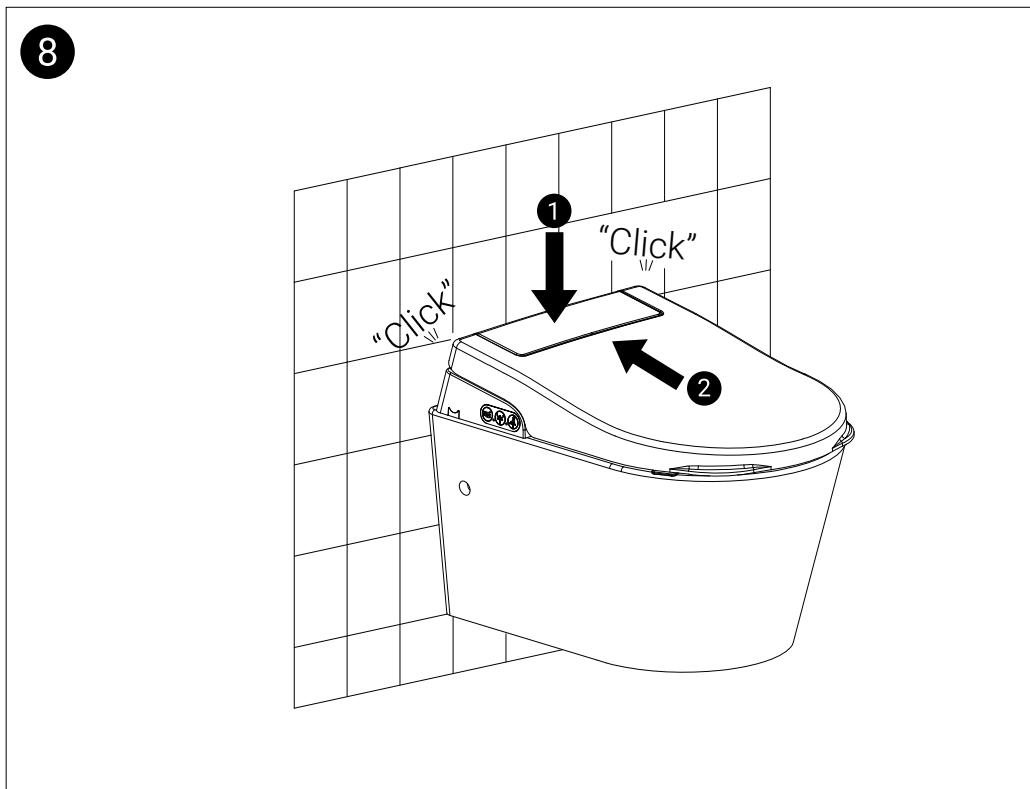
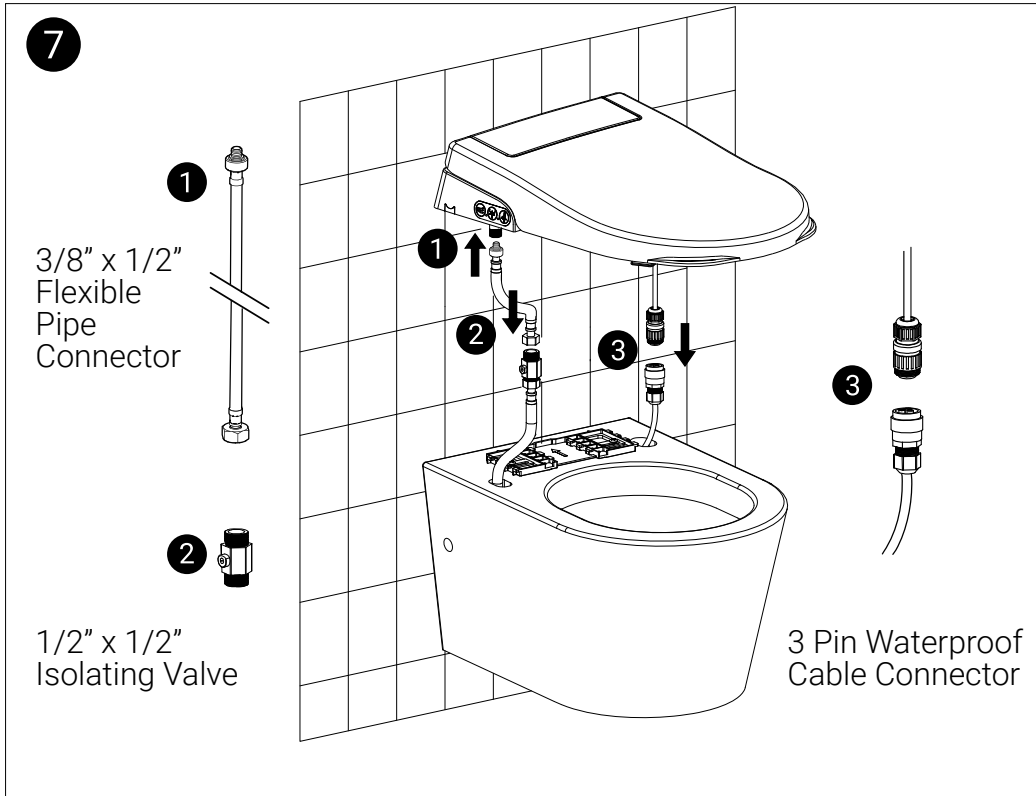
Bottom Entry Installation



Refer to the toilet cistern installation instructions for completing the electrical and plumbing installation, and then the pan instructions before attaching the AKW Bidet.



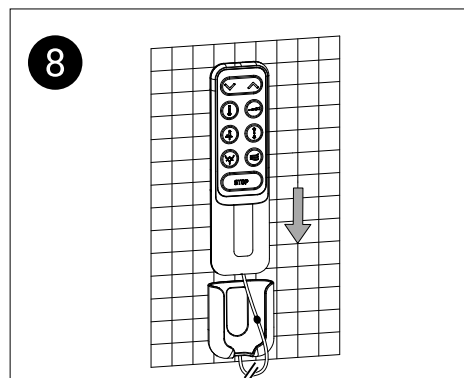
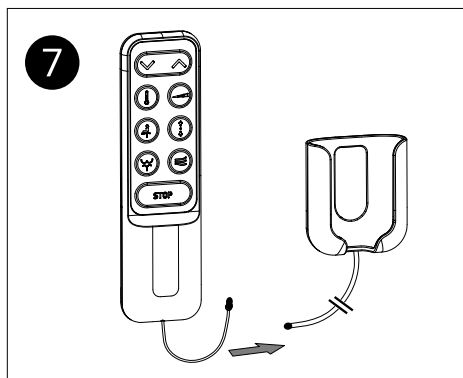
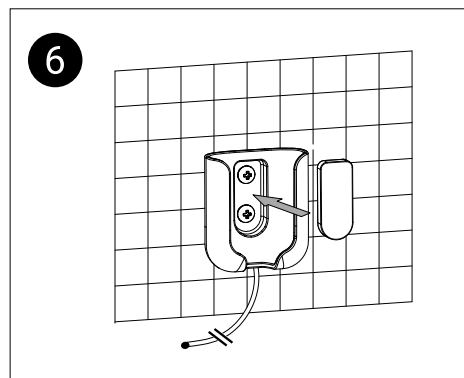
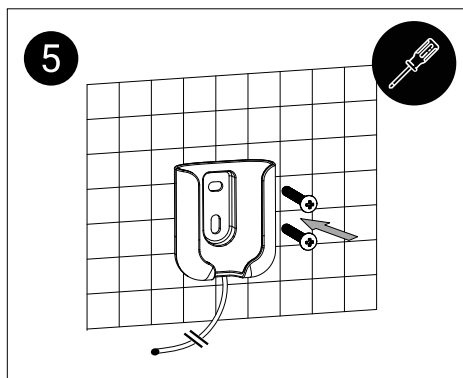
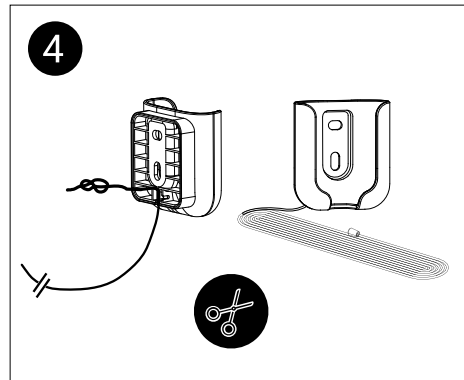
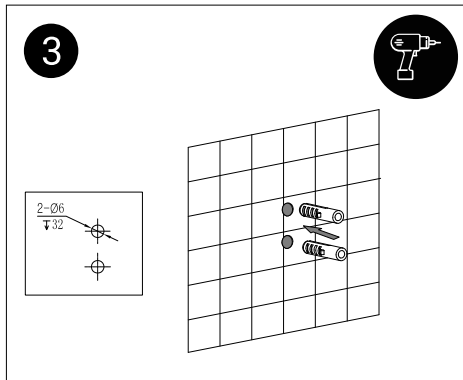
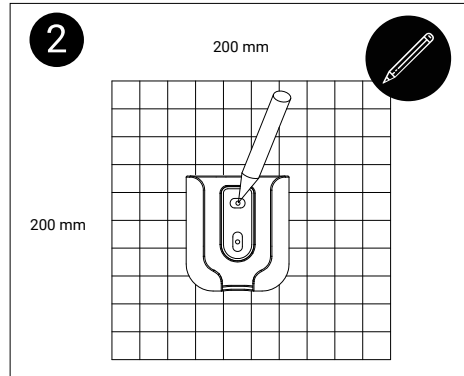
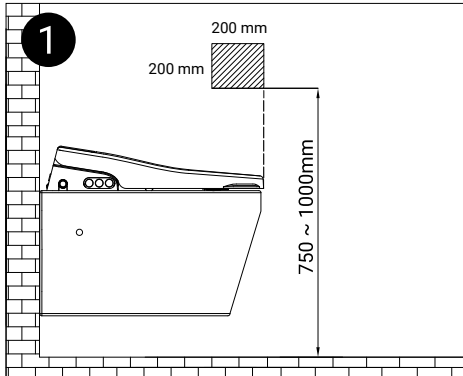
Bottom Entry Installation



Refer to the user instructions for Bidet functions and operations.

Using wall fixings

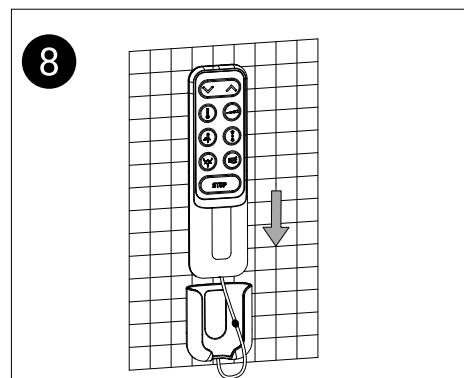
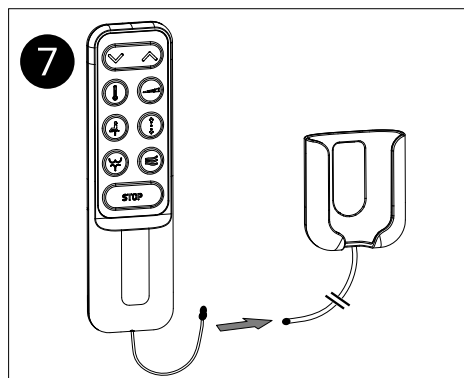
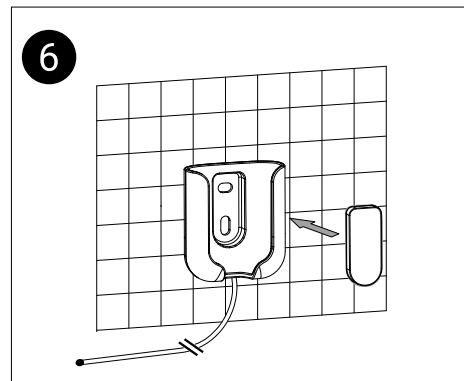
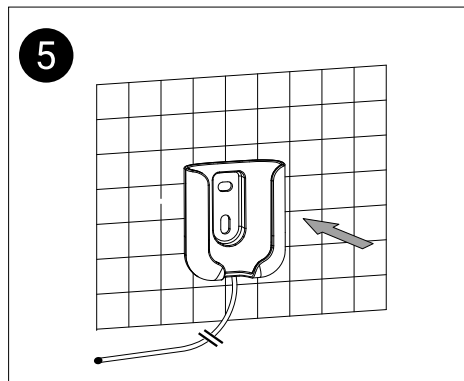
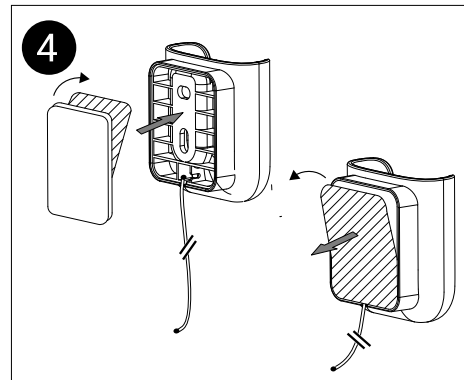
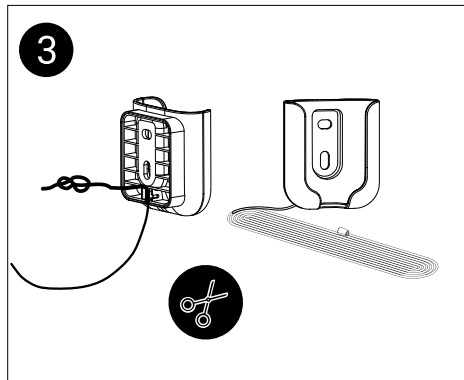
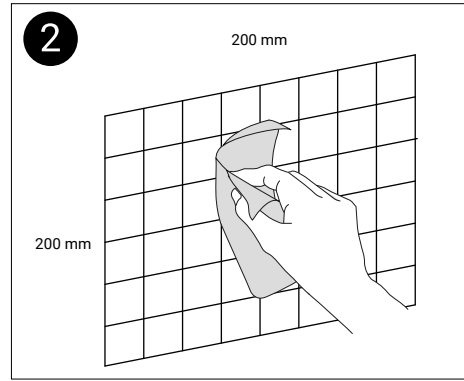
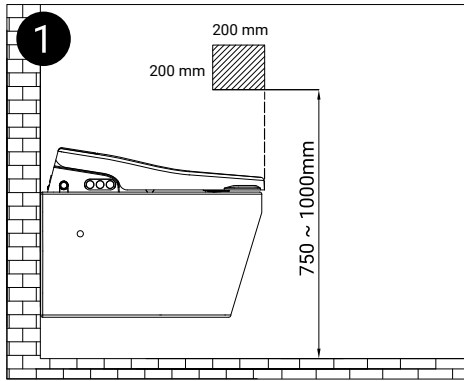
Recommended Installation area for the remote control holder.





Remote Control Installation

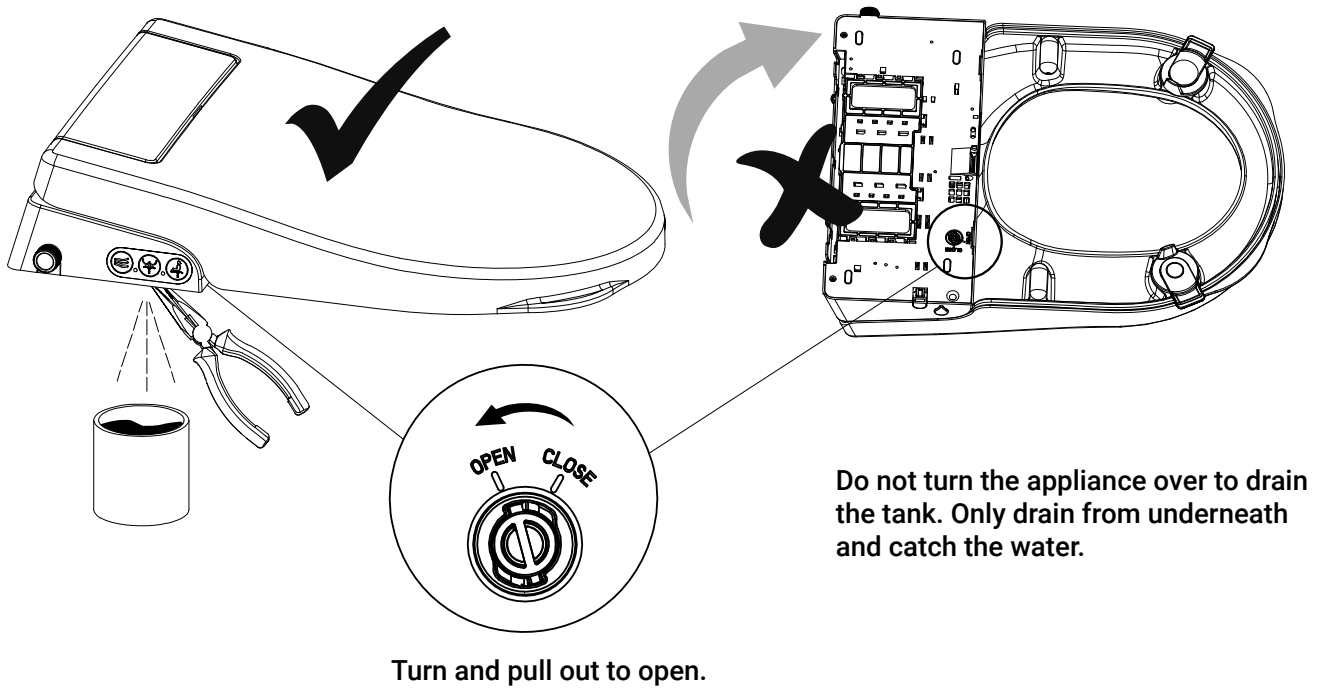
Using double-sided tape

Recommended Installation area for the remote control holder.



Draining the water tank

-  Isolate the power and water supply before attempting to uninstall the bidet.
-  Do not tilt or rotate the bidet until the water has finished draining from the tank.



Contact Us

AKW[®]
Life Made Better

Orders & Quotes

01905 823 299
orders@akw-ltd.co.uk

General Enquiries

01905 823 298
sales@akw-ltd.co.uk

Technical Enquiries

01905 560 219
tech@akw-ltd.co.uk

Kitchen Enquiries

01905 823 262
kitchens@akw-ltd.co.uk

Fax

01905 823 297

AKW

Pointon Way, Hampton Lovett
Droitwich Spa, WR9 0LR

www.akw-ltd.co.uk
[orders.akw-ltd.co.uk](mailto:orders@akw-ltd.co.uk)

Follow us on Social:



Warranty

Warranty applies only to manufacturing or material defects, conditional on the one-time correct installation of the product. It does not apply to:

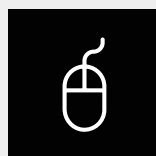
- Inappropriate use or accidental damage.
- Damage or defects that result from incorrect installation.
- Lack of maintenance including the build up of grime or damage resulting from inappropriate cleaning.
- Damage or defects that result from repairs or modifications undertaken by unauthorised persons.
- General wear and tear through usage and does not apply to surface finishes.

Warranty period starts from the date of installation. To activate your warranty, you must register your product within 30 days of installation. See the T&Cs on our website for further information.

Select 1 of 3 ways to activate your warranty

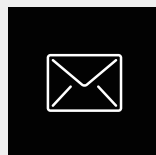


1. Scan using your Smart Device



2. Visit Online

akw-ltd.co.uk/warranty-information



3. Warranty Card

Fill and complete warranty card and post using the prepaid envelope supplied

What to do if something goes wrong?

In the event that you encounter a problem with this product, follow the trouble shooting guide if applicable, then contact your local installer. If the issue is still unresolved, contact AKW Technical Enquiries who will provide further advice and arrange for a maintenance engineer to visit if necessary. None of the foregoing affects your statutory rights.