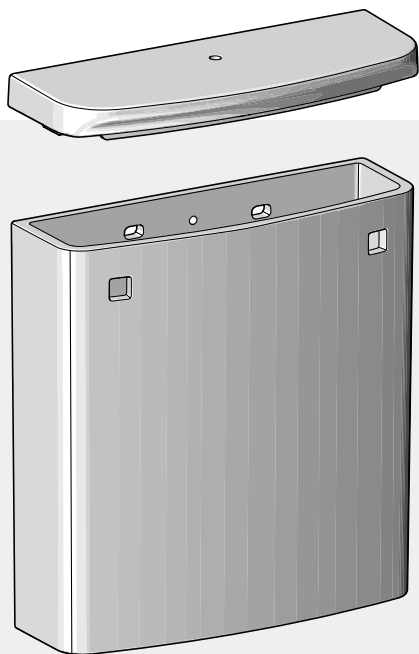


# Navlin Toilet Cistern

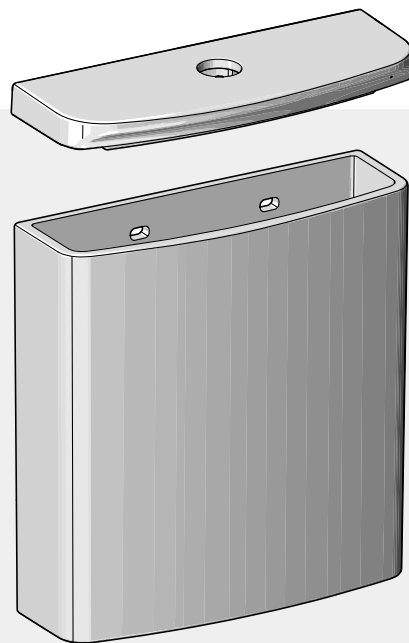
## INSTALLATION INSTRUCTIONS



Cistern Lever Flush

Stock Code

**23594**



Cistern Push Button Flush

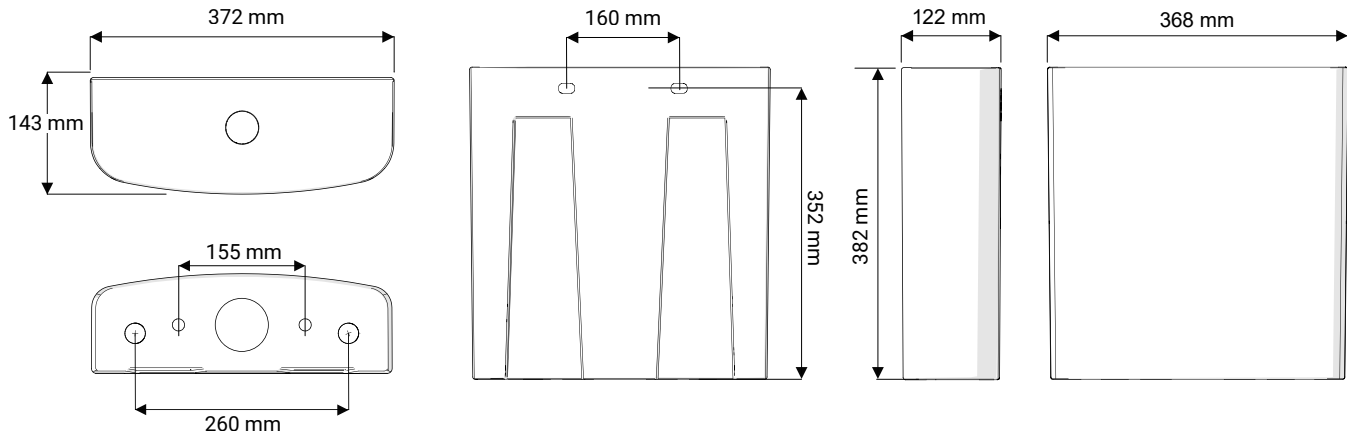
Stock Code

**23574**

# Contents

Important Information .....	2-4
Cistern Installation .....	5
Lid Installation .....	6
Notes.....	7
Warranty & Contact Us .....	8

## Dimensions



**Installation must be carried out in accordance with these instructions, and must be conducted by a qualified and competent installer.**

This product must be installed in compliance with Water Regulations. Cold water isolating valves should be fitted to the inlet pipework.

**Important:** Access must be made available to the water supplies and fixings for future maintenance and servicing. Make sure all fixing holes are used and do not over-tighten the fixings.

### Before you start

Remove all protective covering and examine carefully. Check that all items are present before discarding packaging. Notify the retailer immediately of any damage or faults. The manufacturer cannot be held responsible for any installation costs that may arise from damaged or faulty products being installed and not in accordance with these instructions. Dispose of all packaging in accordance with the local recycling authorities.

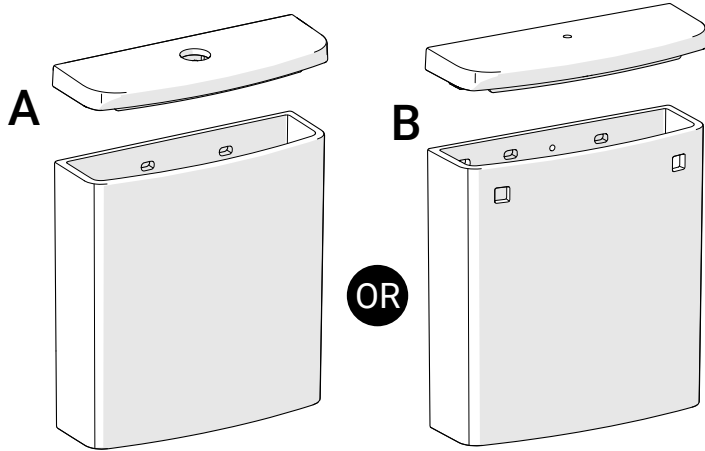
### Safety

- Handle ceramics with extreme care.
- This product is heavy and may require two people to carry.
- Have the correct tools available.
- When drilling walls or floors, check first for hidden pipes and cables.
- Use safety eye wear when drilling.
- Keep small parts and packaging away from children.



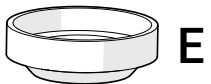
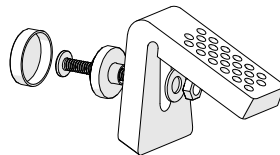
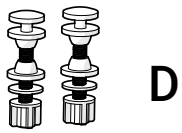
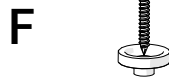
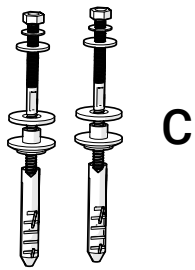
# Important Information

## Parts Supplied

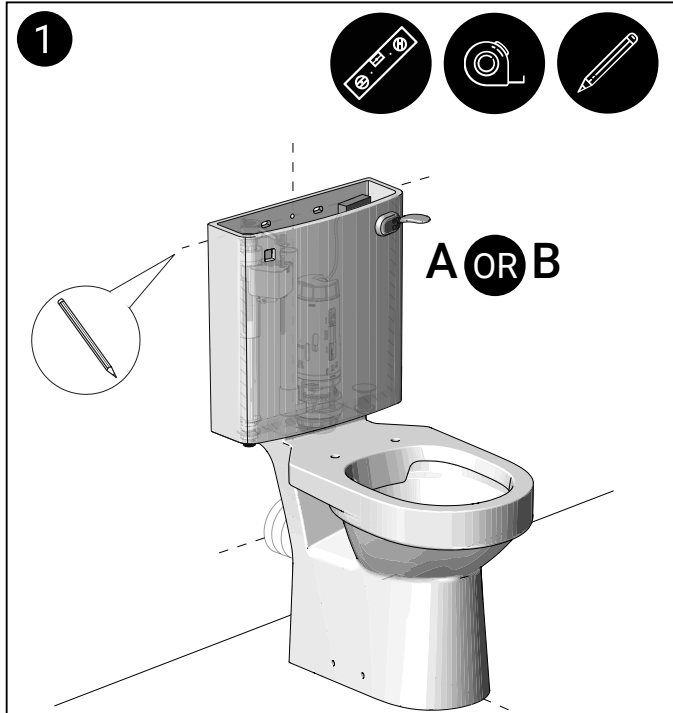


Parts	QTY
A   Cistern & Lid - Push Button or	1
B   Cistern & Lid - Lever	1
C   Wall Fixing	2
D   Connecting Bolt & Washer	2
E   Cistern Gasket	1
F   Cistern Lid Securing Kit for option B - Lever only	1

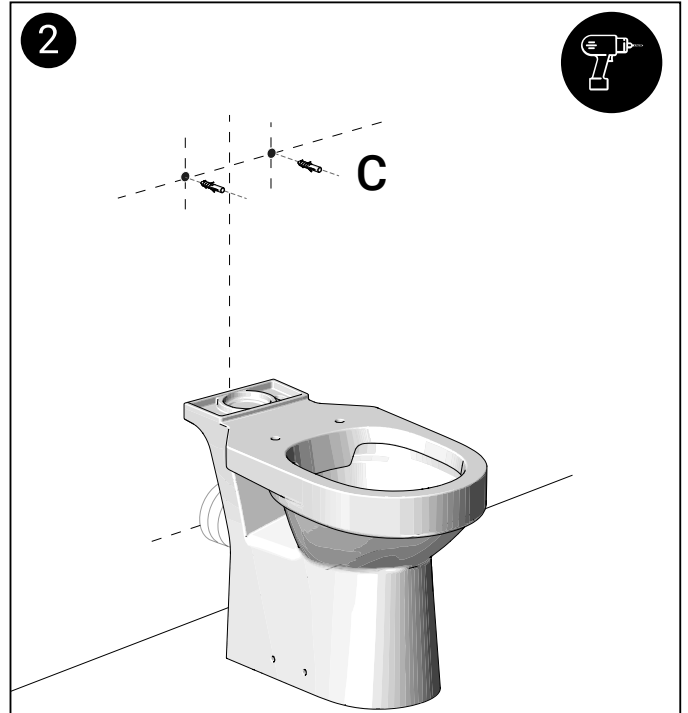
Note: follow the separate Navlin Doc M Toilet Pans installation instructions to determine if the Cistern needs to be connected to the Pan before installation.



**Important!** Before installation, isolate the water supply. Ensure the area is smooth, level surface and clear of any loose building materials or sharp objects that could damage the ceramic during installation. Carefully measure and install all necessary pipework prior to installing the toilet.



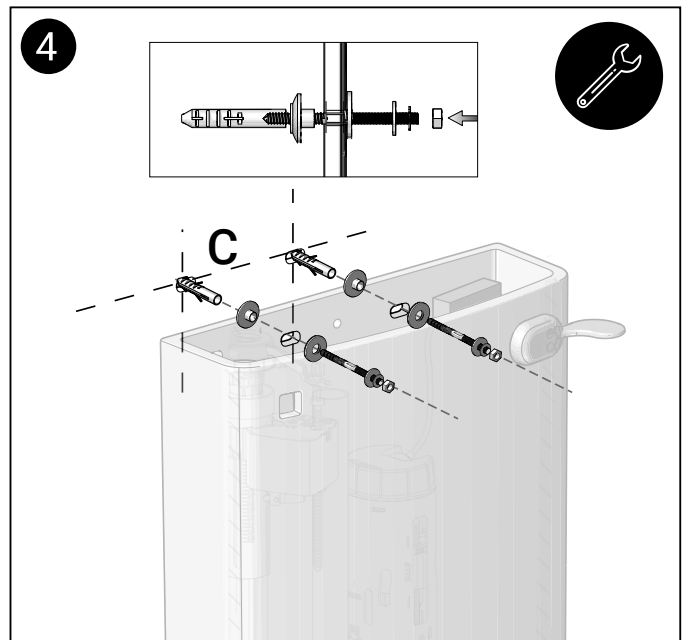
Carefully align the toilet cistern into position against the wall. Ensure that the cistern is level and mark the mounting holes through the back of the cistern.



Remove the cistern and check levels are true. Drill the marked holes and insert the wall plugs. If you are drilling into tiles use a special tile drill kit.



Ensure that the cistern gasket (E) is between the cistern and pan. Carefully fit the cistern onto the toilet pan using the supplied connecting bolts and washers (D). The rubber washers must go on the inside of the cistern with the nuts on the outside.

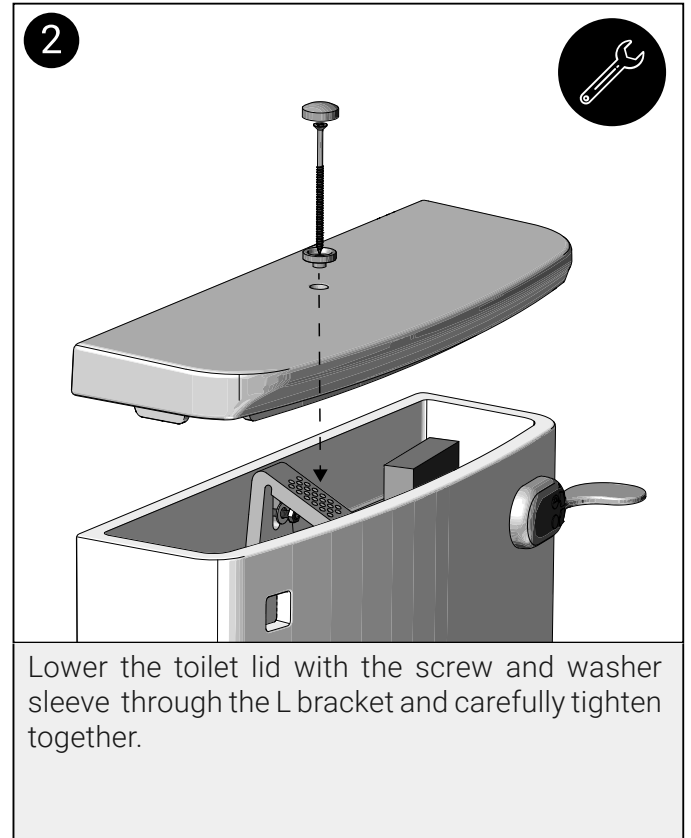
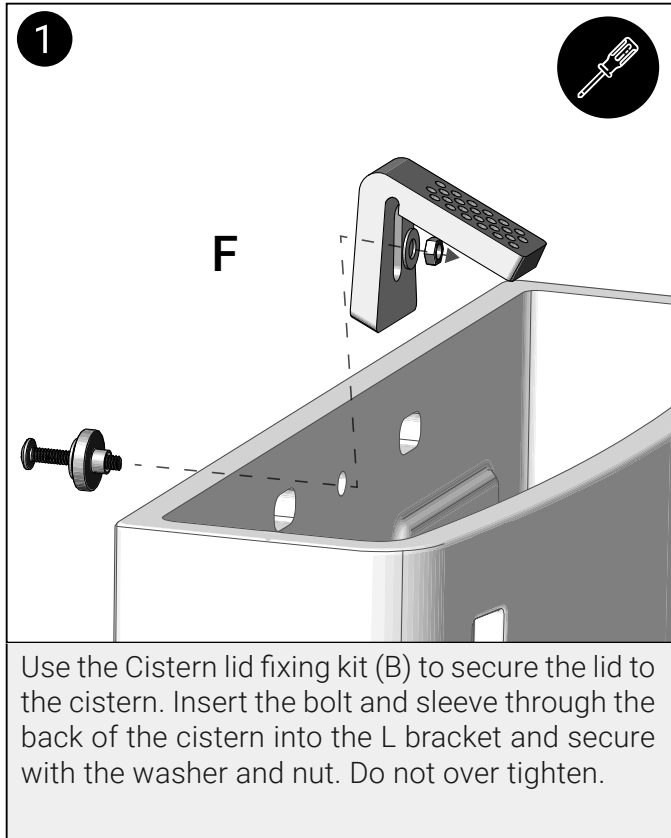


Realign the cistern with the drilled holes. Insert wall fixing bolts and carefully tighten with a spanner. Use the plastic wall spacers and washers so the porcelain is not directly against the wall. Secure the cistern with the washers and nuts.

# Lid Installation

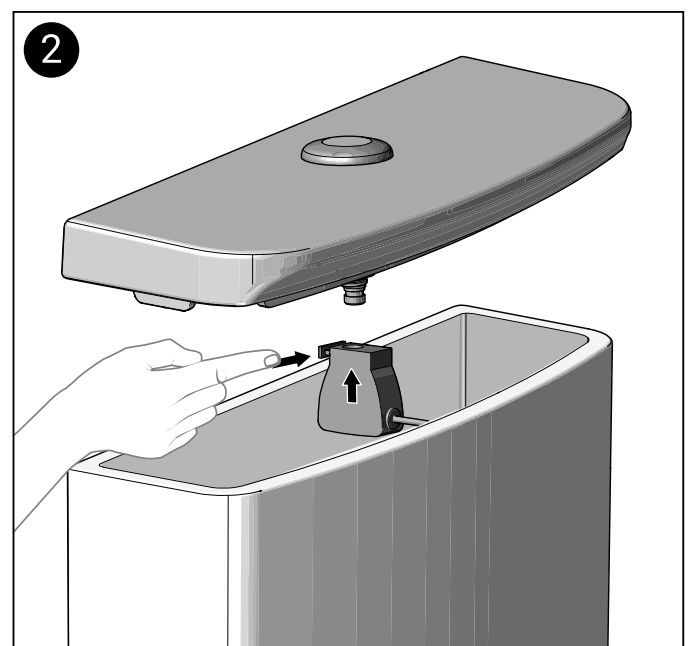
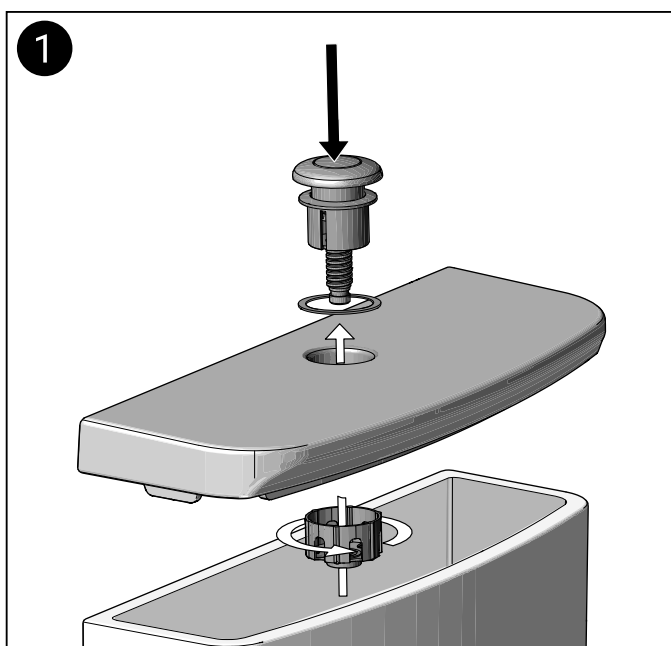
## Cistern Lid Securing Kit for cisterns with a lever flush.

It is recommended to do this step before mounting the cistern to the wall.



## Cistern Lid installation with a push button flush.

For further information please refer to the other instruction manuals for further guidance on installing the toilet pan, inlet and flush valves.





# Contact Us

**AKW**<sup>®</sup>  
Life Made Better

## Orders & Quotes

01905 823 299  
orders@akw-ltd.co.uk

## General Enquiries

01905 823 298  
sales@akw-ltd.co.uk

## Technical Enquiries

01905 560 219  
tech@akw-ltd.co.uk

## Kitchen Enquiries

01905 823 262  
kitchens@akw-ltd.co.uk

## Fax

01905 823 297

## AKW

Pointon Way, Hampton Lovett  
Droitwich Spa, WR9 0LR

[www.akw-ltd.co.uk](http://www.akw-ltd.co.uk)  
[orders.akw-ltd.co.uk](mailto:orders@akw-ltd.co.uk)

## Follow us on Social:



## Warranty

Warranty applies only to manufacturing or material defects, conditional on the one-time correct installation of the product. It does not apply to:

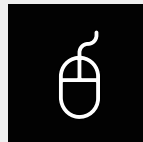
- Inappropriate use or accidental damage.
- Damage or defects that result from incorrect installation.
- Lack of maintenance including the build up of grime or damage resulting from inappropriate cleaning.
- Damage or defects that result from repairs or modifications undertaken by unauthorised persons.
- General wear and tear through usage and does not apply to surface finishes.

Warranty period starts from the date of installation. See the T&Cs on our website for further information.

### Select 1 of 2 ways to activate your warranty



#### 1. Scan using your Smart Device



#### 2. Visit Online

[akw-ltd.co.uk/warranty-information](http://akw-ltd.co.uk/warranty-information)

### What to do if something goes wrong?

In the event that you encounter a problem with this product, follow the trouble shooting guide if applicable, then contact your local installer. If the issue is still unresolved, contact AKW Technical Enquiries who will provide further advice and arrange for a maintenance engineer to visit if necessary. None of the foregoing affects your statutory rights.