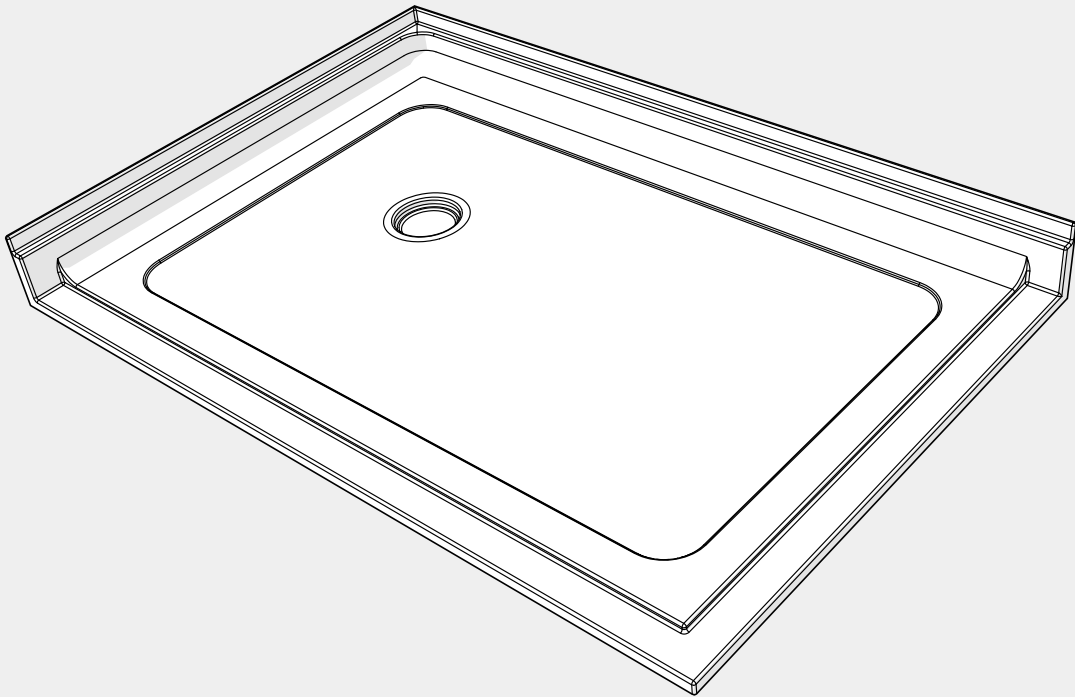


CONTOUR
built-in independence

Swift Trays

INSTALLATION INSTRUCTIONS



Please read all instructions before installation and leave this document with the end user for future reference as it contains important warranty information

Safety

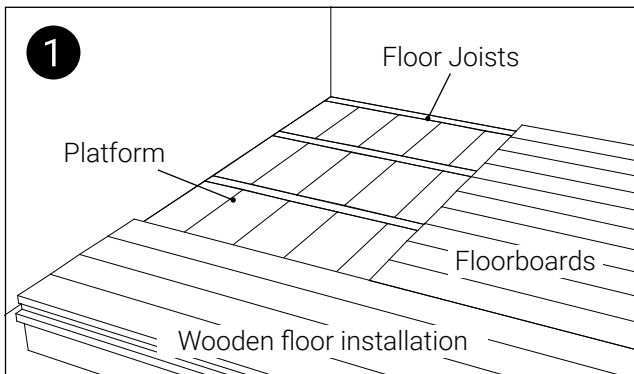


Read these instructions in full before commencing any work. Installation not in accordance with these instructions will invalidate the guarantee. To protect shower base from being marked whilst being installed, please use a cardboard covering. Turn the mains electricity supply off before starting any work. Never use power tools while standing on a wet surface. Be careful of any buried pipework or cables.

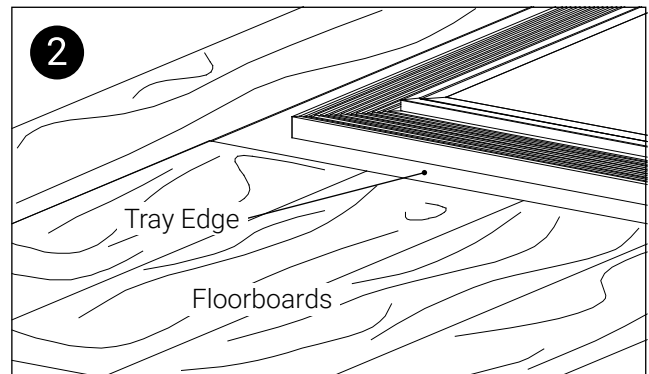


We do not approve the use of power showers with the use of this product.

Recessed into Wooden or Solid Floor



Locate the Swift in the corner or alcove to which it is going to be finally positioned and mark lines around the outer edge.



Carefully remove the flooring to the same height as the tray. Do not cut into any plumbing or electrical wiring.

- 3** For a wooden floor installation, it is easiest to form a level platform between the joists to ensure the tray is fully supported. Use a weak sand and cement mix or Carlite bonding to bed the tray onto and to fill any voids underneath the waste - figure 1.

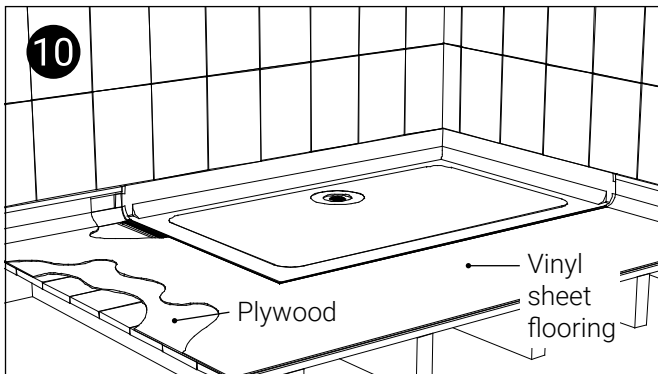
When installing in a solid floor use a weak sand and cement mix to bed the tray onto. Apply a unibond type sealant to the underside of the tray to achieve good adhesion between the cement and the tray.

Note: The tray edge and floor must be absolutely level in order to apply your floor covering - figure 2.

- 4** Ensure the Swift fits neatly into your recess and mark the shower trap position.
- 5** Remove tray. Decide upon the position for the waste pipe. For a solid floor, it may be necessary to remove an area under the tray outlet position to accommodate the trap.

- 6 With waste pipework completed, align with tray waste outlet and attach trap.
- 7 Install the waste following the supplied instructions.
- 8 Pilot drill through the trays tiling lip and the Truseal profile, and secure to the wall and joists respectively. It may be necessary to pack out behind the trays tiling lip with marine ply to ensure the tiling lip is flush with the wall ready for tiling.
- 9 At this stage you will now be ready to bond into position the relevant covings and captile strip as per the manufacturers instructions.

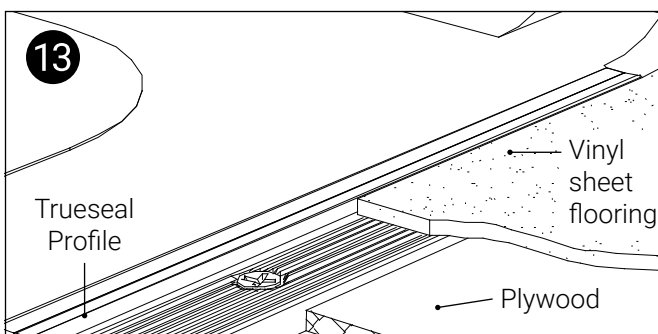
Installed into Screeded Floor



You will need to cover the exposed floor with 4 mm plywood in order to make the floor and Truseal junction level to apply your vinyl sheet flooring onto.

- 11 Cut your 2 mm vinyl sheet flooring as required
- 12 Where the sheet flooring is to be anchored to the Truseal profile, the flooring edge should be cut in and hot welded onto the Truseal PVC insert using a hot weld gun

Note: Vinyl sheet flooring should be bonded to the floor using a 2 part water resistant adhesive



It is important that the Truseal profile is kept clean and that the protective tape remains intact and is not removed until the flooring is ready for bonding.

Note: Vinyl sheet flooring should be welded in accordance with manufacturers instructions

Contact Us

contour
built-in independence

General Enquiries

01606 592586

sales@contour-showers.co.uk

Fax

01606 861260

Contour Showers Limited

Winsford

Cheshire

CW7 2BA

www.contour-showers.co.uk

Follow us on Social:



Guarantee

Provided for Shower enclosures, shower trays and ancillary equipment.

Our guarantee applies against any manufacturing defects and is offered on all products provided they have been used in the manner they were intended. It does not apply to any products that have been misused or abused in any way. Products must be installed and cared for in line with fitting instructions and local water bylaws. The guarantee only covers products in domestic use by the consumer. In the unlikely event that as a result of a manufacturing defect, the product fails within the guarantee period, we offer a free replacement or replacement part(s) (or nearest equivalent). Liability is limited to individual products and does not cover consequential loss or damage.

The period of warranty is as follows:

- Lifetime guarantee for all shower trays and wetroom floor formers, with the exception of the Tern tray which has a 5 year warranty.
- Lifetime guarantee for all shower doors, enclosures and cubicles.
- Lifetime guarantee for Contour Showers branded shower seats (07SS07, 07SS50, 07SS51, 07SS52 & 07SS53).
- 5 year guarantee for Contour P12 shower waste pumps.
- Other ancillary products are covered by the terms of the manufacturers guarantee, some of which are more than 1 year, and may require the completion of a registration form, for example: 5 year guarantee provided by Contour Showers for the Redring Selectronic Premier range of electric thermostatic showers; 5 year guarantee for Whale shower waste pumps (Requires registration with Whale, details supplied with the product).

The guarantee is transferable, in that it applies to the product not the purchaser, provided registration details are passed over on to the new owner. Please note that the guarantee does not cover general wear and tear and it applies to UK and Republic of Ireland only.

Visit Online

www.contour-showers.co.uk/resources/lifetime-guarantees