

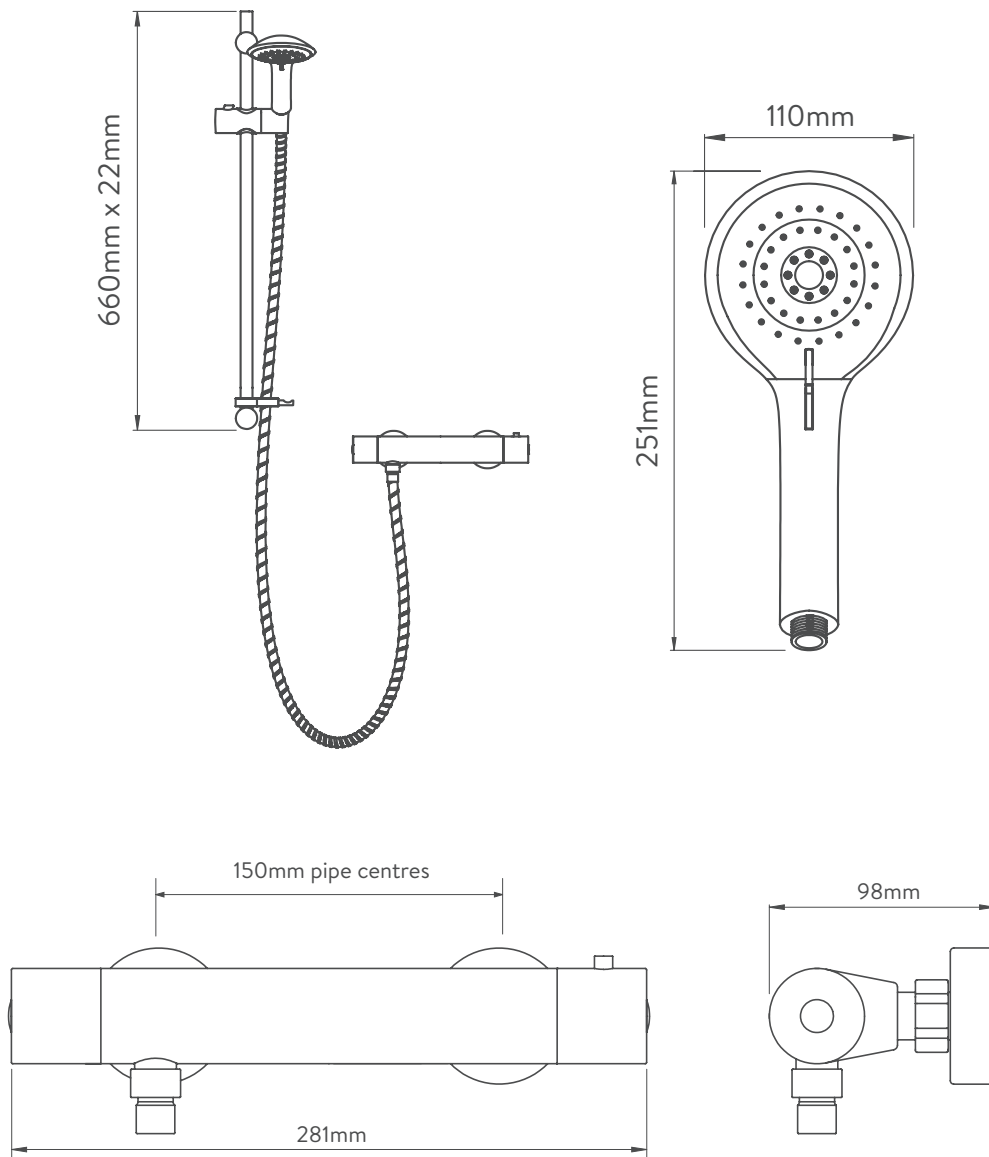
AQUALISA

SAFE TOUCH ROUND BAR VALVE

AQ75BAR1

LP/HP
CHROME

DIMENSIONAL DRAWINGS



AQUALISA

SAFE TOUCH ROUND BAR VALVE



LP/HP
CHROME

TECHNICAL SPECIFICATIONS

Minimum pressure requirements	0.15 Bar
Maximum pressure requirements	5 Bar
Flow rates @ 3 bar	Adjustable head: 11.06 l/min
Inlet fitting connections	3/4" Threaded
Rear inlet supply positions	150mm centres
Outlet connections	1/2" Thread
Valve inlet centres	150mm centres
Supply temperature	Max 65°C
Water system	All Water Systems
Features	Separate temperature control with override button for extra safety
	Brass "Safe Touch" body
	Includes Easy fit wall brackets
	Soft rub nozzles for easy cleaning
	3 spray patterns, easy click spray control
	110mm adjustable head
	1.5m chrome plated stainless steel hose (11mm bore)
Colour	Chrome
Guarantee period	5 years