

# Sensorflow 21 Washbasin Tall Spout Electronic Sensor, Battery

## ILLUSTRATED

**A4122** Sensorflow 21 washbasin mounted tall spout with integral sensor, anti vandal laminar flow outlet, copper tube inlet, servicing valve and filter, battery

## ILLUSTRATED PRODUCT DETAILS

### Weights

**A4122** 4.20 KG

### Finishes

**A4122**  Chrome (AA)

### Materials

**A4122** Chrome Plated Brass

### Flow rates

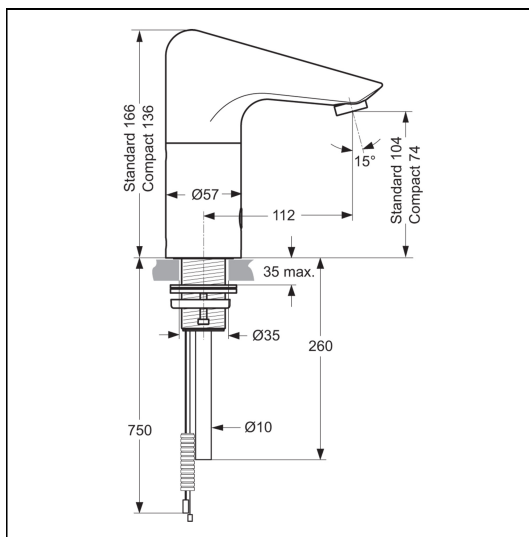
**A4122** 4.7 Litres per minute @ 3 bar pressure

## FINISH OPTIONS



### Special Notes

Designed to be supplied with pre-mixed water. Consideration should be given to safe hot water delivery and the use of an appropriate temperature reduction device, please see A5900AA (for use with 15mm pipework) or A5901AA (for use with 22mm pipework). The sensor is set to work in the normal handwashing position. All spouts supplied complete with individual solenoid valve, copper tube inlet and combined servicing valve and filter. Spouts with integral sensors detect hands within the sensing range and the solenoid valve is opened. Automatically shuts off if sensor is obstructed for a maximum of 55 seconds. Flow rate regulated to 5 litres per minute at 1 bar minimum pressure.



## ACCREDITATIONS

**A4122(AA)**

Unified Water Label  **4.70** Litres Per Minute



## FEATURES

