

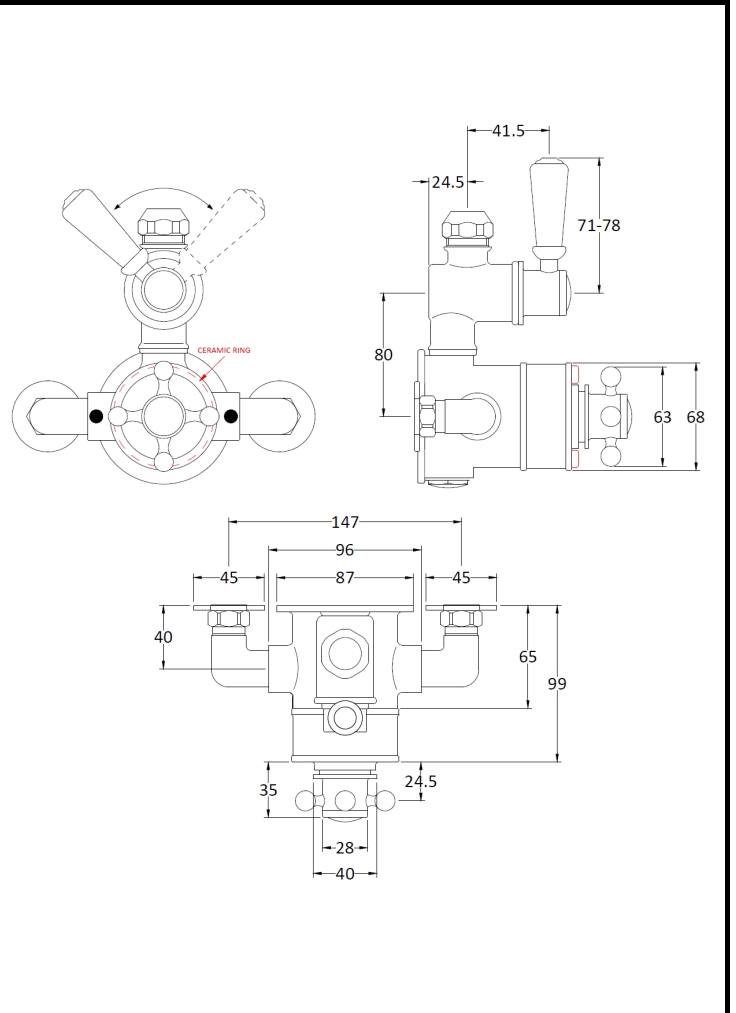
B A Y S W A T E R

London W.2

CODE: BAYS111

DESCRIPTION: Twin Exposed Valve

CATEGORY: Showers



| PRODUCT DIMENSIONS | | | | |
|--------------------|------------|-------------|------------|-------------|
| Length(mm) | Width (mm) | Height (mm) | Depth (mm) | Nett Wgt Kg |
| | 195 | 206 | 135 | 3.2 |

| PACKAGING DIMENSIONS | | | |
|----------------------|------------|-------------|--------------|
| Depth (mm) | Width (mm) | Height (mm) | Gross Wgt Kg |
| 245 | 215 | 170 | 3.2 |

| PACKAGING DATA | | | |
|----------------|---------------------|--------------|-------------|
| Box Colour | White Cardboard Box | | |
| Box Qty | 1 | Label Colour | White Label |
| Label Size | 100 x 50 | Label Qty | 1 |

| OUTER BOX DIMENSIONS (If Applicable) | | | | |
|--------------------------------------|---------------|-------------|------------|--------------|
| Length (mm) | Width (mm) | Height (mm) | Depth (mm) | Gross Wgt Kg |
| | 440 | 480 | 520 | |
| Barcode | 5055275889688 | | | |

| PRODUCT DETAILS | |
|--------------------------|-----------------------|
| Country of Origin | United Kingdom |
| Fitting Instruction | Yes |
| Product Material | Brass |
| Mount Type | Wall |
| Outlet Elbow Supplied | Not Applicable |
| Easy Clean | Not Applicable |
| Head Included | No |
| Handset Included | No |
| Body Jets Included | Not Applicable |
| No of Body Jets | Not Applicable |
| Operating Pressure (bar) | 0.1 |
| Valve/Cartridge Type | 1/4 Turn Ceramic Disc |

| | | | | | | | | | | |
|--------------------|------------------|-----|--------------|----|-------|------|-------|----|-------|----|
| Flow Rates (L/min) | 0.1 bar | 4.5 | 0.5 bar | 13 | 1 bar | 18.5 | 2 bar | 26 | 3 bar | 33 |
| TMV2 Approved | No | | Approval No. | | N/A | | | | | |
| TMV3 Approved | No | | Approval No. | | N/A | | | | | |
| WRAS Approved | No | | Approval No. | | N/A | | | | | |
| Head Function | Not Applicable | | | | | | | | | |
| Handset Function | Not Applicable | | | | | | | | | |
| Body Jet Info | Not Applicable | | | | | | | | | |
| Pipe Size | 15 mm (1/2" Bsp) | | | | | | | | | |
| Pipe Centres | 150mm | | | | | | | | | |
| Colour/Finish | Chrome | | | | | | | | | |
| Hose Included | Not Applicable | | | | | | | | | |