

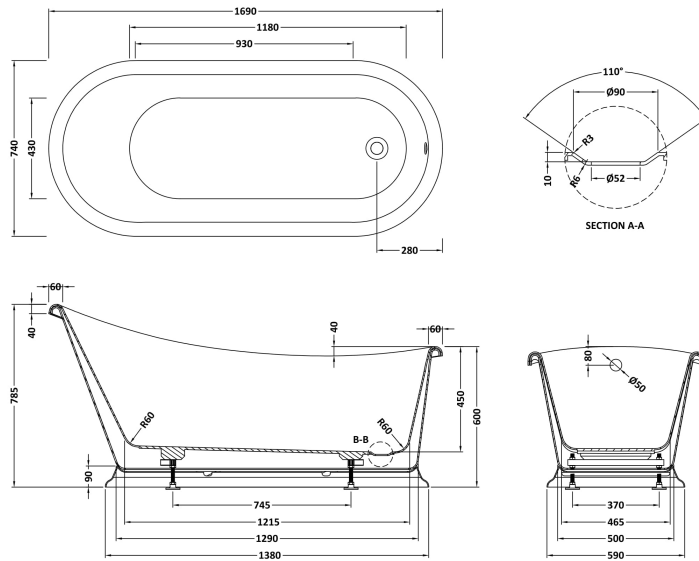
B A Y S W A T E R

London W.2

CODE: BAYB114

DESCRIPTION: 1690 Freestanding Slipper Boat Bath

CATEGORY: Baths



PRODUCT DIMENSIONS			
Length (mm)	Width (mm)	Height (mm)	Nett Wgt Kg
1690	740	785	39.5

PACKAGING DIMENSIONS			
Length (mm)	Width (mm)	Height (mm)	Gross Wgt Kg
1860	800	1200	40

PACKAGING DATA			
Box Colour	Polystyrene Moulded Box		
Box Qty	1	Label Colour	White Label
Label Size	100 X 50	Label Qty	2

OUTER BOX DIMENSIONS (If Applicable)			
Length (mm)	Width (mm)	Height (mm)	Gross Wgt Kg
Barcode	5056462620886		

PRODUCT DETAILS				
Country of Origin	Hong Kong	Certification	FSC	N/A
Fitting Instruction	No	Material Colour Ref'	CE	N/A
Product Material	Acrylic	Material Thickness	European White	
Volume (Ltr)	200L	Displaced Capacity	20mm	
Leg Set Inc'	Legset Included	Waste Inc'	130L	
Drilled/Undrilled	Undrilled For Taps	Includes Grips	Waste Not Included	
Embossed	No	No of Tapholes	No Grips Supplied	
Anti-Slip	No		None	