

CAS KIT02 C

SHOWER ACC Shower Range Casino Shower Kit with Single Function Large Handset Chrome



Features:

- Includes 1.5m hose, adjustable fixing brackets, rub-clean anti-limescale handset and hose retainer
- Clam packed
- Includes 1.5m hose, large rub-clean single function handset and hose retainer

Product Certifications:



WRAS Certificate No: 2302900
WRAS Expiry Date: 28/02/2028



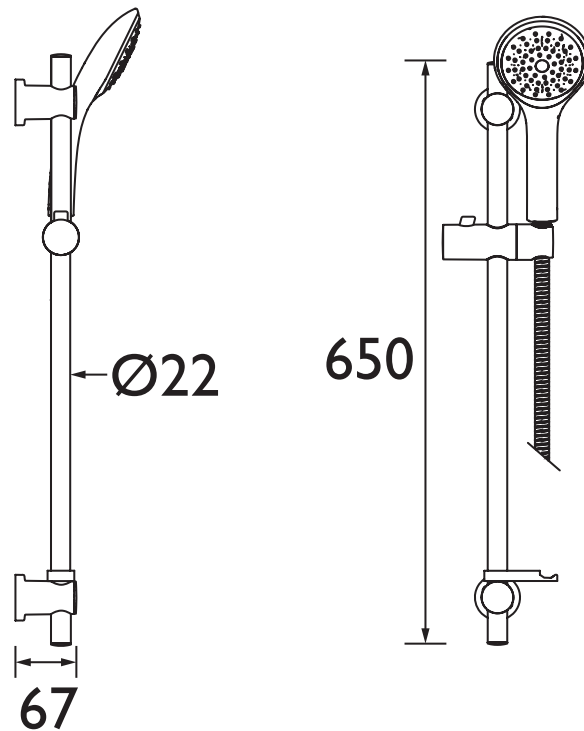
For more products, visit our website:
<http://www.bristan.com>



Specification

| | |
|--|--|
| Finish/Colour: | Chrome Plated |
| Main Construction Material: | ABS; EPDM; Stainless Steel |
| Shower Kit: | Adjustable Riser |
| Shower Head Type: | Single Function Handset |
| Rub Clean Handset: | Yes |
| Mounting Type: | Wall |
| Plumbing System Suitability: | Suitable for all plumbing systems |
| Minimum Dynamic Pressure (bar): | 0.2 bar |
| Maximum Dynamic Pressure (bar): | 5 bar |
| Maximum Static Pressure (bar): | 10 bar |
| Maximum Hot Water Supply Temperature °C: | 65 |
| Isolation Included: | No |
| Check Valve Included: | No |
| What's Included: | 1x Riser Rail, 2x End Brackets, 1x Slider Bracket, 1x Hose Retaining Ring, 1x Handset, 1x 1.5m Cone To Nut Hose, 1x Fitting Instructions |

Dimensions (measurements in mm)



Flow Rates (l/min)

| System Pressure (bar) | 0.2 | 0.5 | 1 | 2 | 3 | 5 |
|-------------------------|-----|-----|-----|----|------|------|
| Through Handset (mixed) | 4.1 | 6.5 | 9.2 | 13 | 15.9 | 20.5 |

TECHNICAL DATA SHEET



BRISTAN

D9