

ST PUMP20TN

Accessories 2.0 Bar Twin Ended Shower Pump Powered By Stuart Turner



Specification

| | |
|--------------------------------------|---------------------------------------|
| Pump Type: | Single Speed Twin Impeller |
| Power Supply: | 230 Volts AC |
| Power Consumption: | 420 Watts |
| Inlet Connections: | Flexible hose - 15mm push fit |
| Outlet Connections: | Flexible hose - 15mm push fit |
| Supply: | Suitable for gravity fed systems only |
| Max Inlet Head: | 10 Meters |
| Max. Head (closed valve): | 19 Meters |
| Motor Rating: | 30 minutes on, 30 minutes off |
| Max. Working Pressure: | 3.0 Bar |
| Pump Rating: | 2 Bar / 35 LPM |
| Max. Inlet Water Temperature: | 65°C |

Features:

- Twin impeller for boosting two water supplies
- Fully automatic flow switch control - pump automatically starts when flow of water exceed 0.8 litres per min.
- High boost performance
- Low noise - fitted with anti-vibration feet.
- Min. inlet water temperature - 4°C
- Max. inlet water temperature - 65°C
- Max. number of starts per hour - 60
- Max. ambient air temperature - 40°C
- Designed to be used with mixer showers only

Product Certifications:

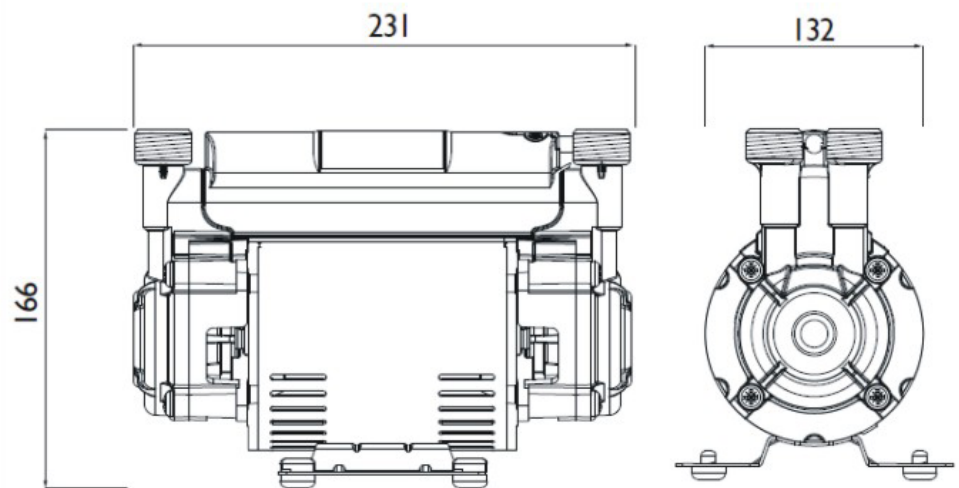


WRAS Cert. Number: 2007386
WRAS Expiry Date: 31/07/2025

For more products, visit our website:
<http://www.bristan.com>



Dimensions (measurements in mm)



TECHNICAL DATA SHEET



BRISTAN

D4