

FZ SHXVOCTFF C

FRENZY Shower Range

Frenzy Safe Touch Bar Mixer
Valve only Fast Fix

Specification

Finish/Colour:	Chrome Plated
Main Construction Material:	Brass, Zinc, Stainless Steel and ABS
No of Controls:	2
Shower Type:	Bar Shower
Shower Head Type:	None
Shower Kit:	Not included
Valve/Cartridge Type:	Thermostatic Cartridge
Maximum Hot Water Supply Temperature °C:	65
Plumbing System Suitability:	All plumbing systems, ideally balanced
Minimum Dynamic Pressure (bar):	0.2
Maximum Dynamic Pressure (bar):	5
Maximum Static Pressure (bar):	10
Connection Inlet:	15mm Compression
Connection Outlet:	G 1/2"
Isolation Valve Included:	Yes
Check Valve Included:	Yes



Features:

- Supplied with our wallmount 12 fixing kit. The simplest solution for installing, maintaining and replacing bar showers, using built in front-of-wall isolation valves
- Thermostatic cartridge with preset temperature stop at 38°C, can be over-ridden to a maximum of 46°C
- Unique Safe Touch technology ensures the valves stays cool to the touch while in use
- Dual control - flow and temperature are controlled separately

Product Certifications:



WRAS Certificate No: 2001911
WRAS Expiry Date: 31/01/2025

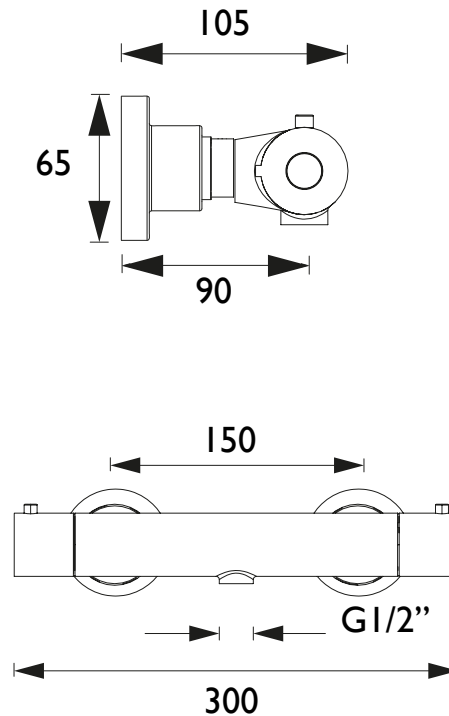


TMV2 Cert No: NSF2262/0720
TMV2 Expiry Date: 16/07/2025



For more products, visit our website:
<http://www.bristan.com>

Dimensions (measurements in mm)



Flow Rates (l/min)

System Pressure (bar)	0.2	0.5	1	2	3	5
Valve Only (mixed)	4.2	7.3	10.9	15.7	19.2	24.5

TECHNICAL DATA SHEET



BRISTAN

D15