

OP SHXVO ISOL EH C

OPAC Shower Range Opac SHXVO ISOL EH Valve Only chrome



Specification

Finish/Colour:	Chrome Plated
Main Construction Material:	Brass
No of Controls:	2
Shower Type:	Bar Shower
Shower Kit:	Adjustable Riser
Valve/Cartridge Type:	3/4" Ceramic Disc Valve - 1/4 turn
Maximum Hot Water Supply Temperature °C:	65
Plumbing System Suitability:	Suitable for all plumbing systems, ideally balanced
Minimum Dynamic Pressure (bar):	0.2 Bar
Maximum Dynamic Pressure (bar):	5.0 Bar
Maximum Static Pressure (bar):	10
Connection Inlet:	15mm Compression
Connection Outlet:	G 1/2"
Isolation Valve Included:	Yes
Check Valve Included:	Yes
Pre-set Outlet Temperature °C:	41

Features:

- Cool Touch Shower valve body for ultimate user safety
- Easy installation with self-isolating Wallmount 12 fixing kit
- Integral flushing mechanism for easy maintenance

Product Certifications:



WRAS Cert. Number: 2401900
WRAS Expiry Date: 31/01/2029



TMV2 Cert. Number: NSF2091/0319
TMV2 Expiry Date: 21/03/2024

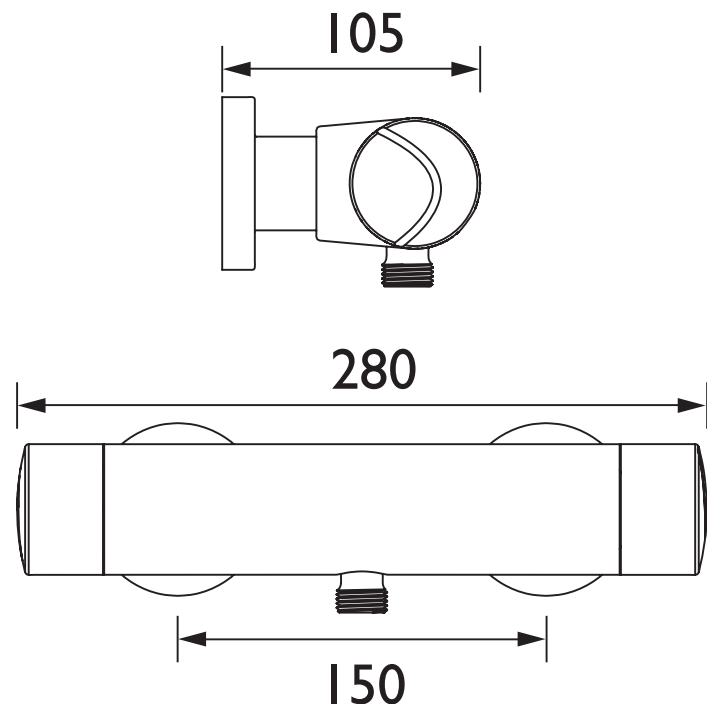


TMV3 Cert. Number: NSF2092/0219
TMV3 Expiry Date: 15/02/2024

For more products, visit our website:
<http://www.bristan.com>



Dimensions (measurements in mm)



Flow Rates (l/min)

System Pressure (bar)	0.2	0.5	1	2	3	5
Valve Only/Largest FR (mixed)	9.4	9.4	9.5	11.3	11.8	11.4

TECHNICAL DATA SHEET



BRISTAN

D6