

PM2 SQSHXTVO C

PRISM Shower Range Prism Exposed Sequential Top Outlet Shower Valve Only Chrome



Features:

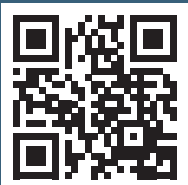
- 15mm inlet connections
- Easy replacement with adjustable inlets so you can use on existing pipework centres between 136mm and 158mm
- Thermostatic cartridge with preset temperature stop at 42°C
- Supplied with 2 x 8L/min flow regulators
- Top outlet

Product Certifications:



WRAS Certificate No: 2207908
WRAS Expiry Date: 31/07/2027

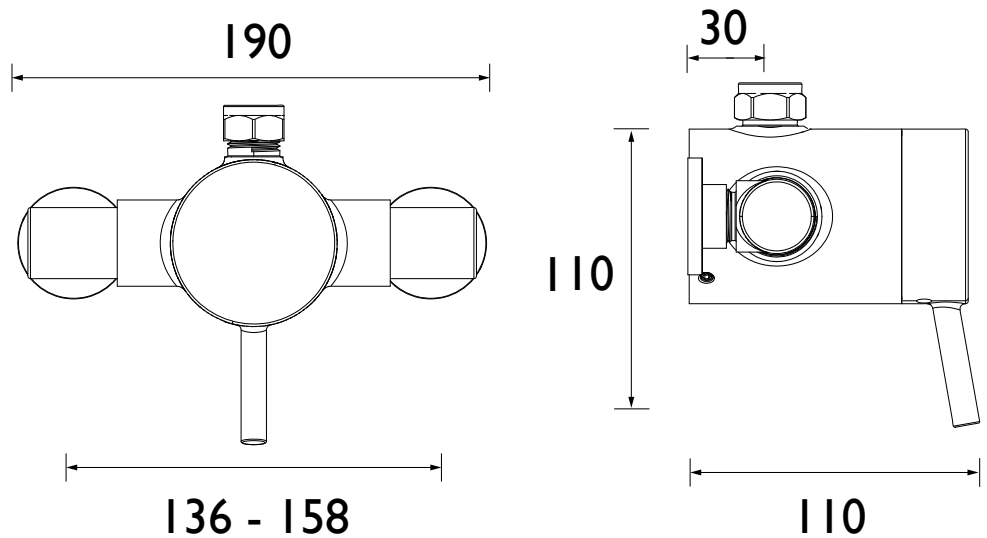
For more products, visit our website:
<http://www.bristan.com>



Specification

Finish/Colour:	Chrome Plated
Main Construction Material:	Brass
No of Controls:	1
Shower Type:	Sequential
Shower Head Type:	None
Shower Kit:	N/A
Valve/Cartridge Type:	Sequential Cartridge
Maximum Hot Water Supply Temperature °C:	65
Plumbing System Suitability:	Suitable for all plumbing systems
Minimum Dynamic Pressure (bar):	0.1
Maximum Dynamic Pressure (bar):	5
Maximum Static Pressure (bar):	10
Connection Inlet:	15mm Compression
Connection Outlet:	15mm Compression
Isolation Valve Included:	No
Check Valve Included:	Yes

Dimensions (measurements in mm)



Flow Rates (l/min)

System Pressure (bar)	0.1	0.5	1	2	3	5
Valve Only (mixed)	4.8	17.4	24.7	34.9	42.8	55.2
With Flow Limiters Fitted (mixed)	3.9	13.1	12.5	13.2	13.6	13.3

TECHNICAL DATA SHEET



BRISTAN

D5