

AR2 SHXMTFF C

ARTISAN Shower Range

Artisan Thermostatic Surface Mounted Safe Touch Bar Shower Valve with Adjustable Riser & Fast Fit Connections



Features:

- All in one box - pack includes bar shower valve, hose, adjustable riser rail and a rub-clean anti-limescale multi function handset so nothing to buy separately
- Supplied with a fast fit Wallmount 12 fixing kit with built-in front of wall isolation valves on both the hot and cold feed, making it simple to fit, maintain and replace.
- Safe Touch technology ensures the valve stays cool to the touch while in use
- Multi function rub clean handset - limescale and debris build-up is quickly and easily removed by rubbing a finger or a cloth over the nozzles.
- Adjustable fixing brackets on riser rail enables existing screw holes to be used
- Comes with a 5 year warranty.

Product Certifications:



WRAS Certificate No: 2005902
WRAS Expiry Date: 31/05/2025



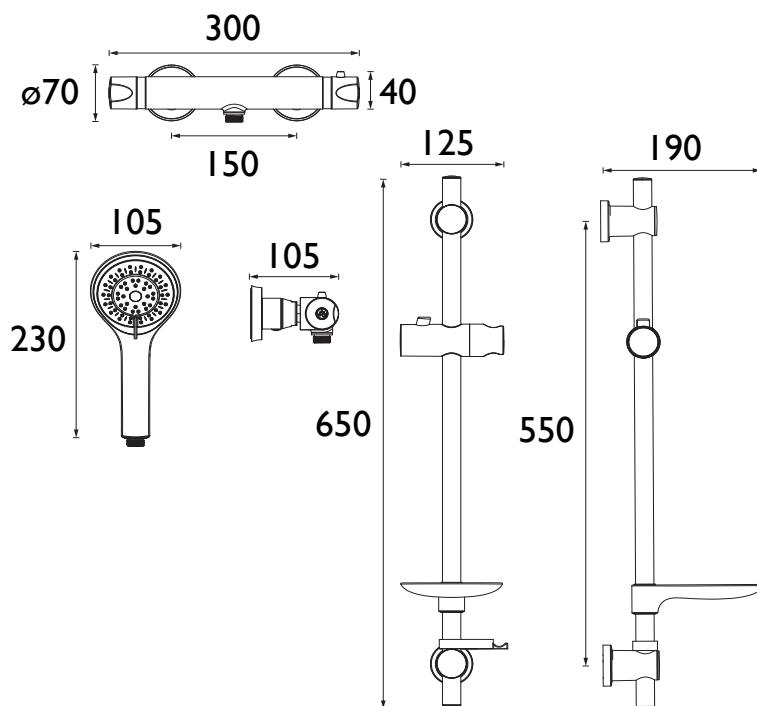
TMV2 Cert No: NSF2262/0720
TMV2 Expiry Date: 16/07/2025



Specification

Finish/Colour:	Chrome Plated
Main Construction Material:	Zinc, Stainless Steel & ABS
No of Controls:	2
Shower Type:	Bar Shower
Shower Head Type:	Multi Function Handset
Shower Kit:	Adjustable Riser
Valve/Cartridge Type:	Thermostatic
Maximum Hot Water Supply Temperature °C:	65
Plumbing System Suitability:	Suitable for all plumbing systems
Minimum Dynamic Pressure (bar):	0.2
Maximum Dynamic Pressure (bar):	5
Maximum Static Pressure (bar):	10
Connection Inlet:	15mm Compression
Connection Outlet:	G 1/2"
Isolation Valve Included:	Yes
Check Valve Included:	Yes

Dimensions (measurements in mm)



Flow Rates (l/min)

System Pressure (bar)	0.2	0.5	1	2	3	5
Through Handset (mixed)	2.6	4.5	6.7	9.7	12.4	16.9

TECHNICAL
DATA
SHEET



BRISTAN

D16