

FZ SHXMMCTFF C

FRENZY Shower Range FRENZY Safe Touch Bar Mixer with Fast Fit Connections and Multi Mode Kit



Features:

- Supplied with a fast fit Wallmount 12 fixing kit with built-in front of wall isolation valves on both the hot and cold feed, making it simple to fit, maintain and replace.
- Hard-wearing, flawless chrome finish that lasts for years.
- Safe Touch technology ensures the valve stays cool to the touch while in use.
- Thermostatic cartridge with preset temperature safety stop at 38°C for family-safe showering. A higher temperature can be selected, if required, by selecting the override function.
- Multi function rub clean handset - limescale and debris build-up is quickly and easily removed by rubbing a finger or a cloth over the nozzles.

Product Certifications:



WRAS Certificate No: 2001911
WRAS Expiry Date: 31/01/2025



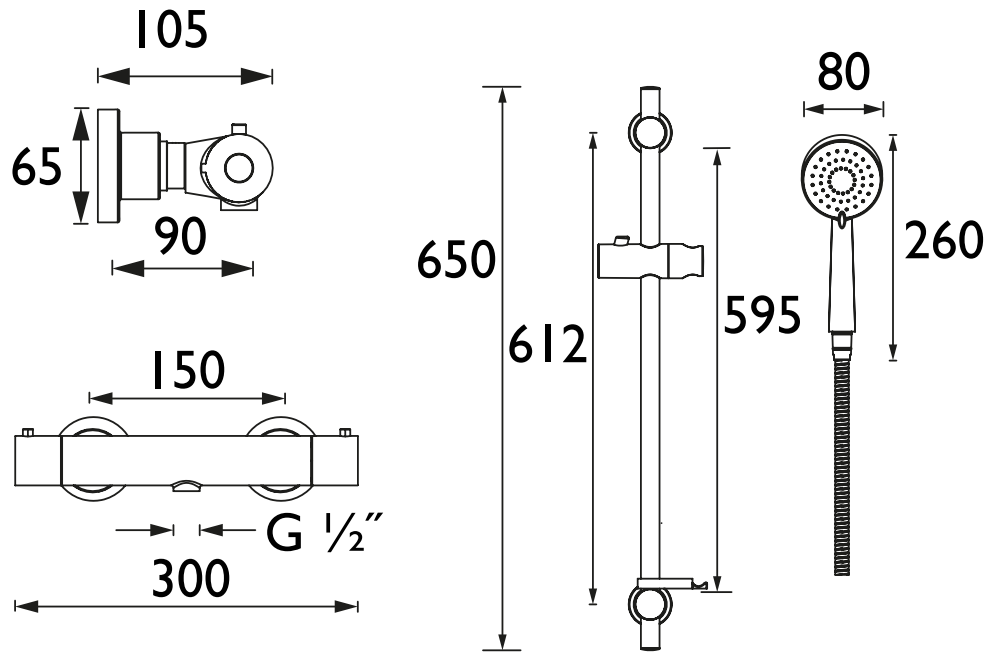
TMV2 Cert No: NSF2262/0720
TMV2 Expiry Date: 16/07/2025



Specification

Finish/Colour:	Chrome Plated
Main Construction Material:	Brass, Zinc, Stainless Steel and ABS
No of Controls:	2
Shower Type:	Bar Shower
Shower Head Type:	Multi-Function Handset
Shower Kit:	Adjustable Riser
Valve/Cartridge Type:	Thermostatic Cartridge
Maximum Hot Water Supply Temperature °C:	65
Plumbing System Suitability:	All, ideally balanced
Minimum Dynamic Pressure (bar):	0.2
Maximum Dynamic Pressure (bar):	5
Maximum Static Pressure (bar):	10
Connection Inlet:	15mm Compression
Connection Outlet:	G1/2"
Isolation Valve Included:	Yes
Check Valve Included:	Yes

Dimensions (measurements in mm)



Flow Rates (l/min)

System Pressure (bar)	0.2	0.5	1	2	3	5
Valve Only/Largest FR (mixed)	4.2	5.4	10.9	15.7	22.1	24.5
Through Handset (mixed)	2.5	4.3	6.5	9.5	12.5	16

TECHNICAL DATA SHEET



BRISTAN

D18