

R2 SHXAR C

REGENCY Shower Range Regency2 Thermostatic Surface Mounted Shower Valve with Adjustable Riser Chrome



Features:

- All in one box - pack includes shower valve, hose, hose retainer, fixed riser rail and a single function handset so nothing to buy separately
- Easy installation with adjustable elbow inlets which enable you to use on existing pipework centres between 110mm and 155mm so there's no need for retiling
- A hard-wearing, flawless, scratch resistant chrome finish that lasts for years. Salt spray tested to ensure added durability.
- Thermostatic cartridge with preset temperature safety stop at 42°C for family-safe showering.
- Automatic shut-off in the event of hot or cold water supply failure for family safe showering.

Product Certifications:



WRAS Certificate No:240403011
WRAS Expiry Date:30/04/2029

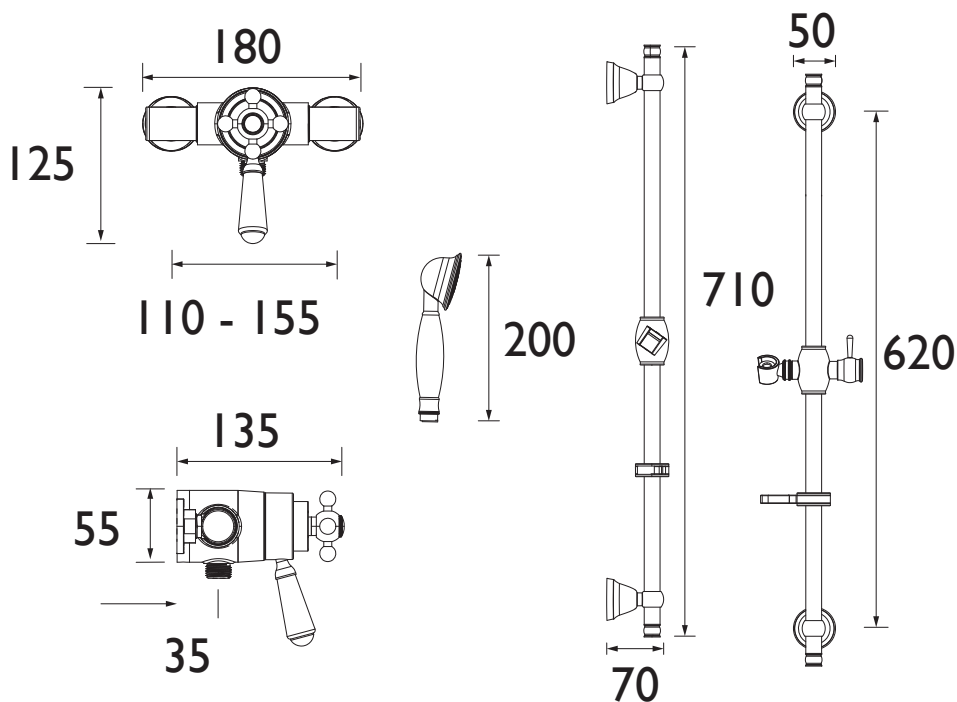
TMV2 Certificate No: NSF2124/0619
TMV2 Expiry Date: 13/06/2024



Specification

Finish/Colour:	Chrome Plated
Main Construction Material:	Brass
No of Controls:	1
Shower Type:	Thermostatic
Shower Head Type:	Adjustable
Shower Kit:	Single Function Handset
Valve/Cartridge Type:	Exposed
Maximum Hot Water Supply Temperature °C:	65
Plumbing System Suitability:	Suitable for all plumbing systems
Minimum Dynamic Pressure (bar):	0.1
Maximum Dynamic Pressure (bar):	5
Maximum Static Pressure (bar):	10
Connection Inlet:	15mm Compression Elbows
Connection Outlet:	G 1/2"

Dimensions (measurements in mm)



Flow Rates (l/min)

System Pressure (bar)	0.1	0.5	1	2	3	5
Valve Only/Largest FR (mixed)	6.2	13.9	19.6	27.8	34	43.9
Through Handset (mixed)	1.6	3.5	4.9	6.9	8.5	11

TECHNICAL DATA SHEET



BRISTAN