

# MA SNK C

## MANDOLIN Tap Range Mandolin Monobloc Sink Mixer Chrome



### Features:

- A hard-wearing, flawless chrome finish that lasts for years
- Easy to use 1/4 turn ceramic disc valves
- All in one box - Includes flexible tails and fixing kit so nothing to buy separately
- Suitable for high and low pressure water systems
- 5 year guarantee

### Product Certifications:



WRAS Certificate No: 1910918  
WRAS Expiry Date: 31/10/2024



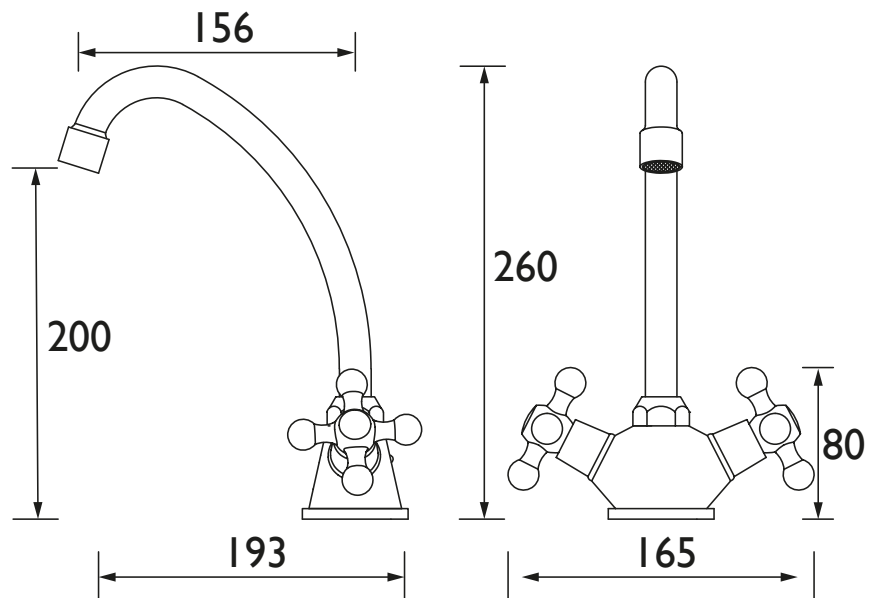
For more products, visit our website:  
<http://www.bristan.com>



### Specification

Product Type:	Kitchen Tap
Main Construction Material:	Brass
Mount Type:	Deck
Handle Type:	Crosshead Handle
Connection Inlet:	1/2" BSP Flexible Tails
Connection Outlet:	M24 Flow Straightener
Number of Tap Holes:	1
Valve/Cartridge Type:	1/2" Ceramic Disc Valve - 1/4 turn
Plumbing System Requirements:	Suitable for all plumbing systems
Minimum Dynamic Pressure (bar):	0.5 bar
Maximum Dynamic Pressure (bar):	5 bar
Maximum Hot Water Temperature °C:	65°C
Maximum Static Pressure (bar):	10 bar
Flow Type:	Single
Isolation Included:	No

### Dimensions (measurements in mm)



### Flow Rates (l/min)

System Pressure (bar)	0.5	1	2	3	5
MA SNK C (mixed)	16.7	23.6	33.3	40.8	52.7

## TECHNICAL DATA SHEET



# BRISTAN

D4