



Features:

- Long life 1/4 turn ceramic disc valves for added durability and smooth control.
- Robust metal fixing nut to secure the tap in place reducing the risk of loosening over time.
- A hard-wearing, flawless, scratch resistant chrome finish that lasts for years. Salt spray tested to ensure added durability.
- Rub clean handset - limescale and debris build-up is quickly and easily removed by rubbing a finger or a cloth over the nozzles. 5 year parts and 1 year labour guarantee for peace of mind.
- Co-ordinating Bathroom taps available.

Product Certifications:



WRAS Certificate No: 2003100
WRAS Expiry Date: 31/03/2025



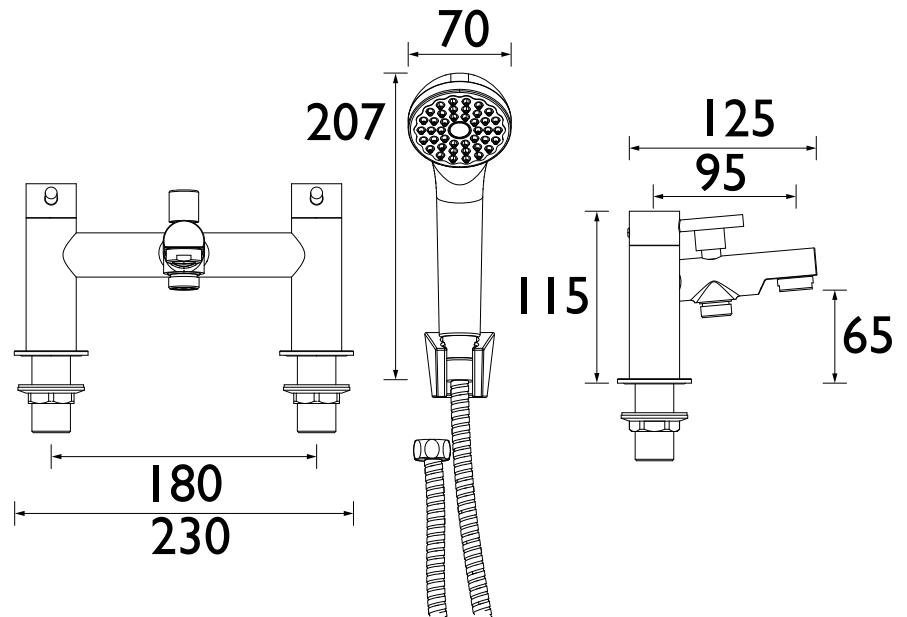
For more products, visit our website:
<http://www.bristan.com>



Specification

| | |
|--|-----------------------------------|
| Product Type: | Bathroom Taps |
| Main Construction Material: | Brass |
| Mount Type: | Deck Mounted |
| Handle Type: | Lever Handles |
| Connection Inlet: | G 3/4" BSP |
| Connection Outlet: | Housed M24 Flow Straightener |
| Number of Tap Holes: | 2 |
| Valve/Cartridge Type: | Ceramic Disc Valves |
| Plumbing System Requirements: | Suitable for all plumbing systems |
| Minimum Dynamic Pressure (bar): | 0.2 bar |
| Maximum Dynamic Pressure (bar): | 5.0 bar |
| Maximum Hot Water Temperature °C: | 60°C |
| Maximum Static Pressure (bar): | 10 bar |
| Flow Type: | Single Flow |
| Isolation Included: | No |

Dimensions (measurements in mm)



Flow Rates (l/min)

| System Pressure (bar) | 0.2 | 0.5 | 1 | 2 | 3 | 5 |
|-----------------------------|------|------|------|------|------|------|
| Through Bath Filler (mixed) | 13.1 | 21.6 | 30.9 | 44.1 | 53.1 | 68.6 |
| Through Handset (mixed) | 6.2 | 7.1 | 10.3 | 14.2 | 20.3 | 26.2 |

TECHNICAL DATA SHEET



BRISTAN