

QST BSM C

QUEST Tap Range Quest Bath Shower Mixer Chrome



Features:

- Long life and easy to use 1/4 turn ceramic disc valves
- Metal back nuts for added durability
- Easy to use metal handles
- Includes 1.75m hose, rub-clean anti-limescale handset and wall bracket
- Minimum working pressure of 0.3 bar

Product Certifications:



Kiwa Cert. Number: 2207732
Kiwa Expiry Date: 01/08/2027



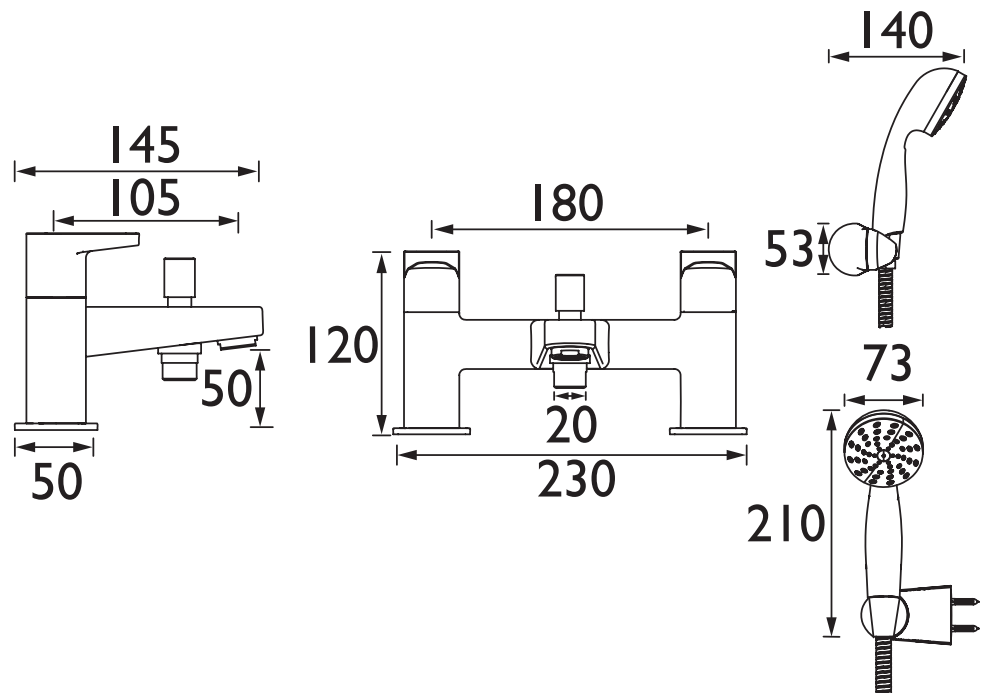
WRAS Cert. Number: 2210801
WRAS Expiry Date: 31/10/2027



Specification

Product Type:	Bathroom Taps
Main Construction Material:	Brass
Mount Type:	Deck Mounted
Handle Type:	Lever Handle
Connection Inlet:	3/4" BSP
Connection Outlet:	G 1/2"
Number of Tap Holes:	2
Valve/Cartridge Type:	3/4" Ceramic Disc Valve
Plumbing System Requirements:	Suitable for all plumbing systems
Minimum Dynamic Pressure:	0.3 bar
Maximum Dynamic Pressure:	5.0 bar
Maximum Hot Water Temperature: °C	65
Maximum Static Pressure: (bar)	10
Flow Type:	Single Flow
Isolation Included:	No
Check Valve Supplied:	No

Dimensions (measurements in mm)



Flow Rates (l/min)

System Pressure (bar)	0.3	0.5	1	2	3	5
Bath Filler	19	24.6	34.8	49.2	60.2	77.7
Through Handset	6.3	8.1	11.5	16.3	19.9	25.7

TECHNICAL DATA SHEET



BRISTAN

D13