

RS SNK EF C

RENAISSANCE Tap Range

Renaissance Easyfit
Sink Mixer Chrome



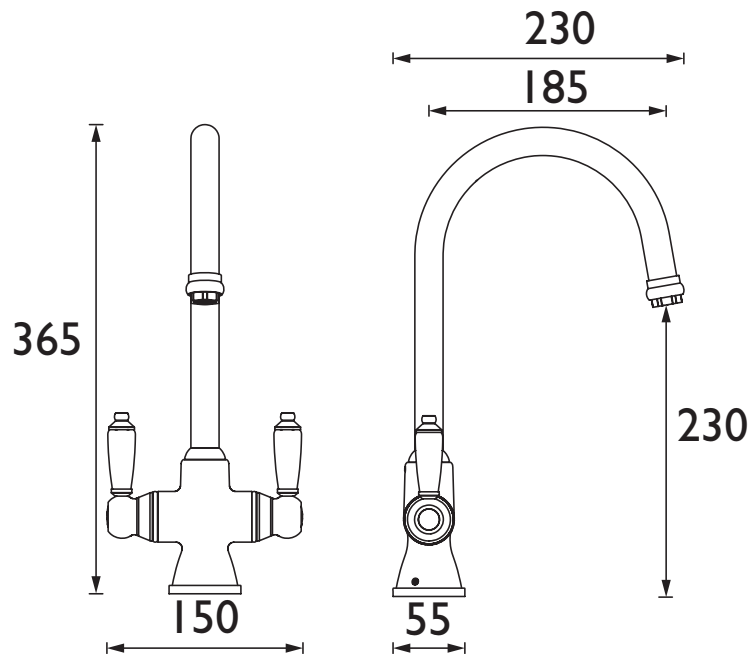
Specification

Product Type:	Kitchen Taps
Main Construction Material:	Brass
Mount Type:	Deck
Handle Type:	Lever
Connection Inlet:	1/2" BSP Female Flexible Tails
Connection Outlet:	M24 Flow Straightener
Number of Tap Holes:	1
Valve/Cartridge Type:	1/2" Ceramic Disc Valve - 1/4 turn
Plumbing System Requirements:	Suitable for all plumbing systems, ideally balanced
Minimum Dynamic Pressure (bar):	0.4 bar
Maximum Dynamic Pressure (bar):	5 bar
Maximum Hot Water Temperature °C:	65°C
Maximum Static Pressure (bar):	10 bar
Flow Type:	Single
Isolation Included:	Yes

Features:

- Unique patented top fix design, for simple installation from above the sink.
- Simply drop and twist the top fix base into the tap hole from above, and lock into place with the Allen key provided.
- Two supplied isolation valves and flexi tails mean you can connect to the water supply at this point and isolate the base.
- Push the tap on to the base and secure into position with the supplied Easyfit tool and screws.
- Everything you need in the box including an Allen key, isolation valves, Top Fix Easyfit base, Easyfit tool and flexi tails
- Swivel spout for easy use
- Long life 1/4 turn ceramic disc valves for added durability and smooth control.
- High quality metal fixings for security and durability
- Also available in other finishes.
- 10 year parts and 1 year labour guarantee for peace of mind.

Dimensions (measurements in mm)



Product Certifications:



WRAS Certificate No: 2206902
WRAS Expiry Date: 30/06/2027



Flow Rates (l/min)

System Pressure (bar)	0.4	0.5	1	2	3	5
RS SNK EF C (mixed)	14.1	16	22.1	33.3	40	50.1

TECHNICAL DATA SHEET



BRISTAN

D11