

# VAL2 BF C CD

## VALUE Tap Range Lever Bath Filler With Ceramic Disc Valves Chrome



### Features:

- Long life 1/4 turn ceramic disc valves for added durability and smooth control.
- Robust metal fixing nut to secure the tap in place reducing the risk of loosening over time.
- A hard-wearing, flawless, scratch resistant chrome finish that lasts for years. Salt spray tested to ensure added durability.
- 5 year parts and 1 year labour guarantee for peace of mind.
- Co-ordinating Bathroom taps and Accessories available

### Product Certifications:



WRAS Certificate No: 1909902  
WRAS Expiry Date: 30/09/2024

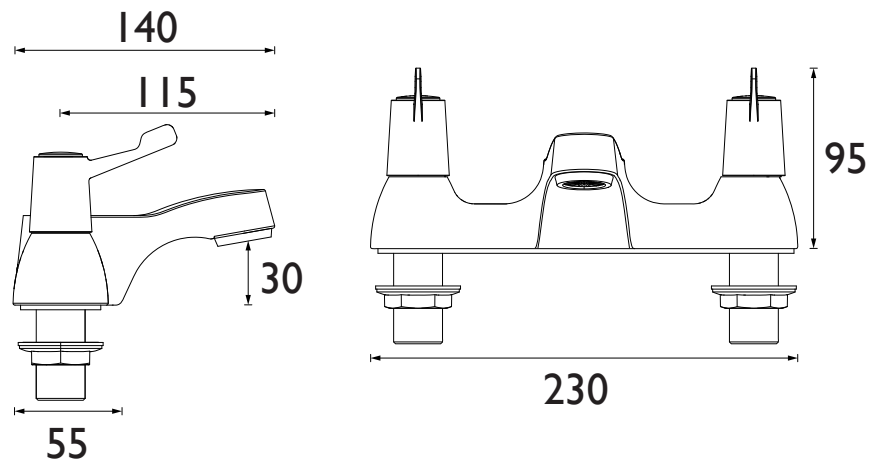
For more products, visit our website:  
<http://www.bristan.com>



### Specification

Product Type:	Bathroom Taps
Main Construction Material:	Brass
Mount Type:	Deck Mounted
Handle Type:	Lever Handles
Connection Inlet:	3/4" BSP
Connection Outlet:	Flow Straightener
Number of Tap Holes:	2
Valve/Cartridge Type:	3/4" Ceramic Disc Valve - 1/4 Turn
Plumbing System Requirements:	Suitable for all plumbing systems
Minimum Dynamic Pressure (bar):	0.2 bar
Maximum Dynamic Pressure (bar):	5 bar
Maximum Hot Water Temperature °C:	65°C
Maximum Static Pressure (bar):	10 bar
Flow Type:	Single Flow
Isolation Included:	No

### Dimensions (measurements in mm)



### Flow Rates (l/min)

System Pressure (bar)	0.2	0.5	1	2	3	5
VAL2 BF C CD (mixed)	28.7	46.7	66.6	94.7	117	152
VAL2 BF C CD (Hot)	16	26.7	38	53.9	65.8	84.2
BAL2 BF C CD (Cold)	15.7	25.7	37	52.6	64.4	82.7

TECHNICAL  
DATA  
SHEET



**BRISTAN**

D3