

# ACR EFSNK C

## ACORN Tap Range Acorn Easyfit Mono Sink Mixer Chrome



### Specification

<b>Product Type:</b>	Kitchen Taps
<b>Main Construction Material:</b>	Brass
<b>Mount Type:</b>	Deck
<b>Handle Type:</b>	Paddle Lever
<b>Connection Inlet:</b>	1/2" BSP Flexible Tails
<b>Connection Outlet:</b>	Housed M22 8L/M Aerator
<b>Number of Tap Holes:</b>	1
<b>Valve/Cartridge Type:</b>	1/2" Ceramic Disc Valves
<b>Plumbing System Requirements:</b>	Suitable for all plumbing systems
<b>Minimum Dynamic Pressure (bar):</b>	0.3 bar
<b>Maximum Dynamic Pressure (bar):</b>	5 bar
<b>Maximum Hot Water Temperature °C:</b>	65°C
<b>Maximum Static Pressure (bar):</b>	10 bar
<b>Flow Type:</b>	Single Flow
<b>Isolation Included:</b>	Yes

### Features:

- Unique patented top fix design, for simple installation from above the sink
- Simply drop and twist the top fix base into the tap hole from above, and lock into place with the Allen key provided
- Two supplied isolation valves and flexi tails mean you can connect to the water supply at this point and isolate the base
- Push the tap on to the base and secure into position with the supplied Easyfit tool and screws
- Everything you need in the box including an Allen key, isolation valves, Top Fix Easyfit base, Easyfit tool and flexi tails

### Product Certifications:



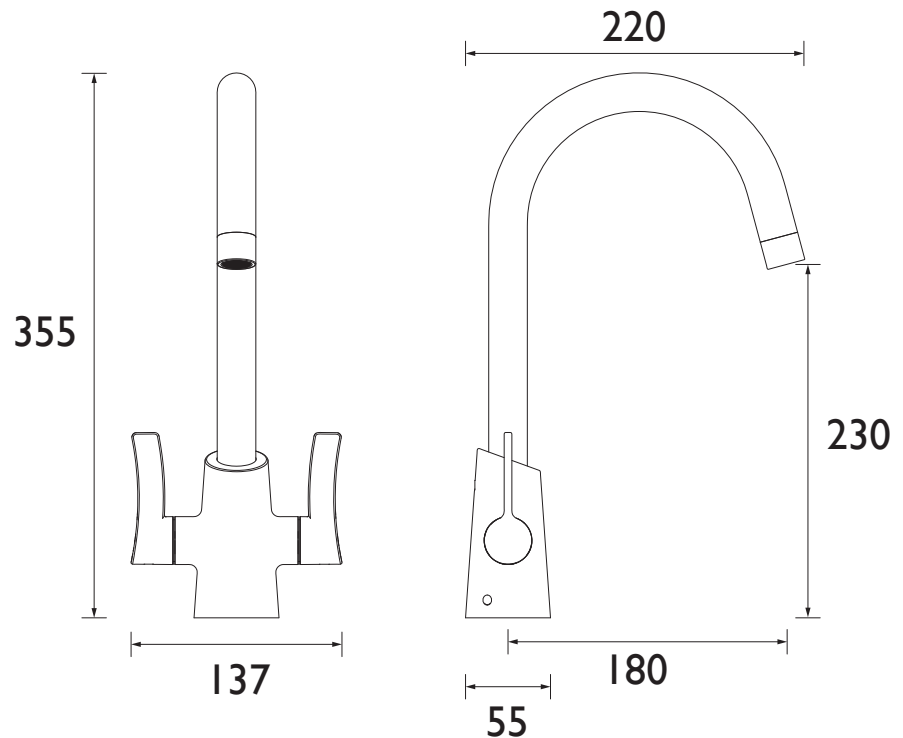
WRAS Cert. Number: 240403006  
WRAS Expiry Date: 30/04/2029



For more products, visit our website:  
<http://www.bristan.com>



### Dimensions (measurements in mm)



### Flow Rates (l/min)

System Pressure (bar)	0.3	0.5	1	2	3	5
ACR EFSNK C (mixed)	3	4	5.8	7.9	8.5	8.5

## TECHNICAL DATA SHEET



# BRISTAN

D1.1