

# DU SNK C

## DUNE Tap Range Dune Monobloc Sink Mixer Chrome



### Features:

- Long life 1/4 turn ceramic disc valves for added durability and smooth control.
- Everything you need in the box including flexible tails and fixing kit
- Swivel spout for easy use
- Also available in other finishes.
- 5 year parts and 1 year labour guarantee for peace of mind.

### Product Certifications:



WRAS Certificate No: 1907940  
WRAS Expiry Date: 31/07/2024



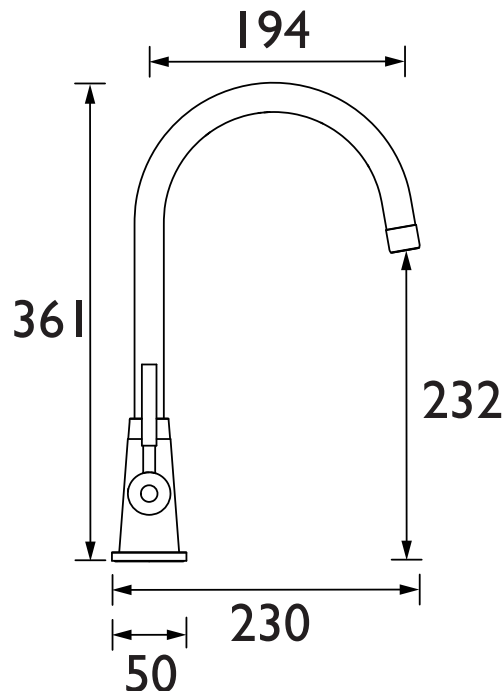
For more products, visit our website:  
<http://www.bristan.com>



### Specification

Product Type:	Kitchen Tap
Main Construction Material:	Brass
Mount Type:	Deck
Handle Type:	Peg Handles
Connection Inlet:	1/2" BSP Flexible Tails
Connection Outlet:	M24 Flow Straightener
Number of Tap Holes:	1
Valve/Cartridge Type:	1/2" Ceramic Disc Valve - 1/4 turn
Plumbing System Requirements:	Suitable for all plumbing systems
Minimum Dynamic Pressure (bar):	0.2 bar
Maximum Dynamic Pressure (bar):	5 bar
Maximum Hot Water Temperature °C:	60°C
Maximum Static Pressure (bar):	10 bar
Flow Type:	Single
Isolation Included:	No

### Dimensions (measurements in mm)



### Flow Rates (l/min)

System Pressure (bar)	0.2	0.5	1	2	3	5
DU SNK C (mixed)	6.76	10.7	16.2	23.7	29	37.7

## TECHNICAL DATA SHEET



# BRISTAN

D6