

# FRN EFSNK C

## FERN Tap Range Fern Easyfit Mono Sink Mixer Chrome



### Specification

Product Type:	Kitchen Taps
Main Construction Material:	Brass
Mount Type:	Deck
Handle Type:	Round
Connection Inlet:	1/2" BSP Flexible Tails
Connection Outlet:	Housed M22 8L/M Aerator
Number of Tap Holes:	1
Valve/Cartridge Type:	1/2" Ceramic Disc Valves
Plumbing System Requirements:	Suitable for all plumbing systems
Minimum Dynamic Pressure (bar):	0.3 bar
Maximum Dynamic Pressure (bar):	5 bar
Maximum Hot Water Temperature °C:	65°C
Maximum Static Pressure (bar):	10 bar
Flow Type:	Single Flow
Isolation Included:	Yes

### Features:

- Unique patented top fix design, for simple installation from above the sink
- Simply drop and twist the top fix base into the tap hole from above, and lock into place with the Allen key provided
- Two supplied isolation valves and flexi tails mean you can connect to the water supply at this point and isolate the base
- Push the tap on to the base and secure into position with the supplied Easyfit tool and screws
- Everything you need in the box including an Allen key, isolation valves, Top Fix Easyfit base, Easyfit tool and flexi tails

### Product Certifications:



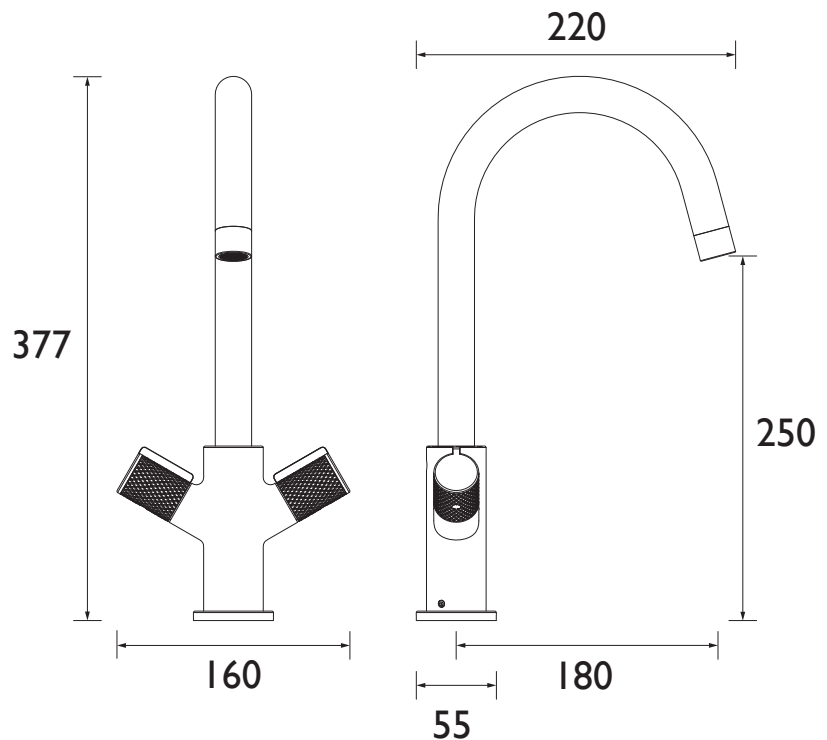
WRAS Certificate No: 240403007  
WRAS Expiry Date: 30/04/2029



For more products, visit our website:  
<http://www.bristan.com>



### Dimensions (measurements in mm)



### Flow Rates (l/min)

System Pressure (bar)	0.3	0.5	1	2	3	5
FRN EFSNK C (mixed)	2.2	4.4	6.3	8.4	8.4	8.4

## TECHNICAL DATA SHEET



# BRISTAN

D1.1