

SOQ2 SHCAR C

SONIQUE Shower Range Sonique2 Thermostatic Recessed Shower Valve with Adjustable Riser Chrome



Features:

- All in one box - pack includes recessed shower valve, hose, adjustable riser rail, wall outlet and rub-clean anti-limescale single function handset so nothing to buy separately
- Adjustable fixing brackets on riser rail enables existing screw holes to be used
- Rub clean handset - limescale and debris build-up is quickly and easily removed by rubbing a finger or a cloth over the nozzles.
- A hard-wearing, flawless, scratch resistant chrome finish that lasts for years. Salt spray tested to ensure added durability.
- Thermostatic cartridge with preset temperature safety stop at 42°C for family-safe showering. A higher temperature can be selected, if required, by selecting the override function

Product Certifications:



WRAS Certificate No: 240403011
WRAS Expiry Date: 30/04/2029

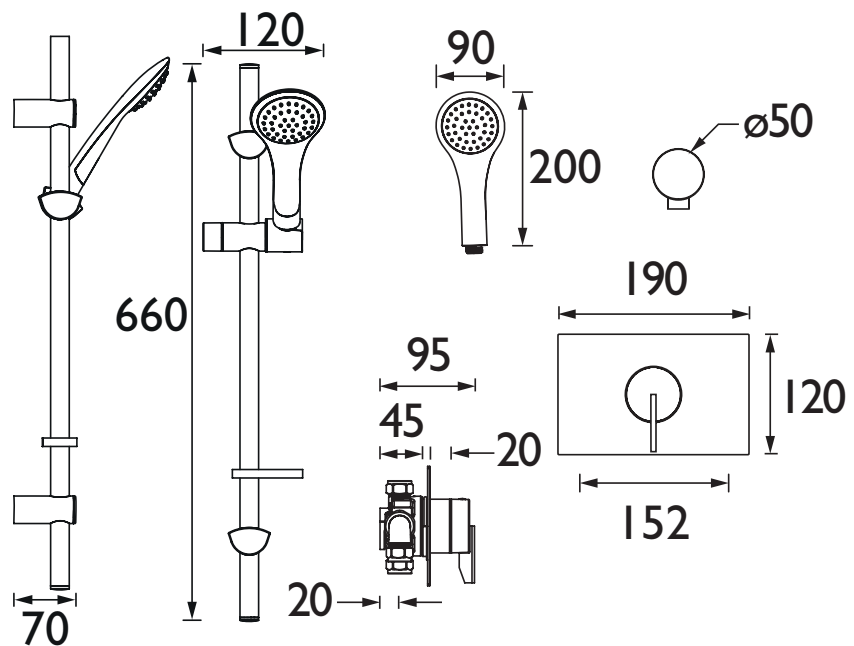
TMV2 Certificate No: NSF2124/0619
TMV2 Expiry Date: 13/012/2024



Specification

Finish/Colour:	Chrome Plated
Main Construction Material:	Brass
No of Controls:	1
Shower Type:	Sequential Mini Valve
Shower Head Type:	Single Function Handset
Shower Kit:	Adjustable Riser
Valve/Cartridge Type:	Sequential Cartridge
Maximum Hot Water Supply Temperature °C:	65
Plumbing System Suitability:	Suitable for all plumbing systems
Minimum Dynamic Pressure (bar):	0.1
Maximum Dynamic Pressure (bar):	5
Maximum Static Pressure (bar):	10
Connection Inlet:	15mm Compressions
Connection Outlet:	G 1/2"
Isolation Valve Included:	No
Check Valve Included:	Yes

Dimensions (measurements in mm)



Flow Rates (l/min)

System Pressure (bar)	0.1	0.5	1	2	3	5
Valve Only/Largest FR (mixed)	1.8	4.7	6.6	7	7.1	7.9
Through Handset (mixed)	1.6	4	5.8	6.6	7.5	7.9
With Flow Limiters (mixed)	1.6	4	5.8	6.6	7.5	7.5

TECHNICAL DATA SHEET



BRISTAN

D13