

QB SHXSMFF C

QUBO Shower Range Qubo Exposed Bar Shower with Kit



Features:

- Supplied with a fast fit Wallmount 12 fixing kit with built-in front of wall isolation valves on both the hot and cold feed, making it simple to fit, maintain and replace.
- Thermostatic cartridge with preset temperature safety stop at 38°C for family-safe showering. A higher temperature can be selected, if required, by selecting the override function.
- Dual control - flow and temperature are controlled separately
- Automatic shut-off in the event of hot or cold water supply failure
- 15mm inlet connections

Product Certifications:



WRAS Certificate No: 2211911
WRAS Expiry Date: 30/11/2027

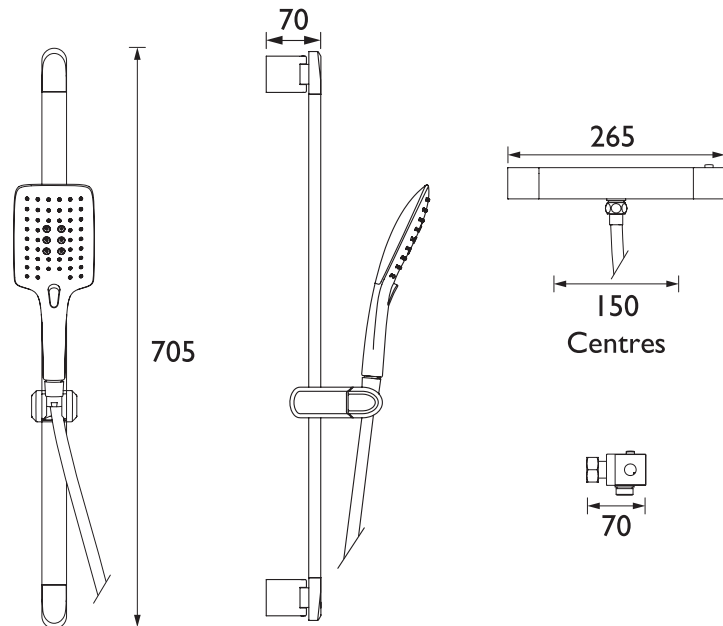


For more products, visit our website:
<http://www.bristan.com>

Specification

Finish/Colour:	Chrome Plated
Main Construction Material:	Brass
No of Controls:	2
Shower Type:	Bar Shower
Shower Head Type:	Multi Function Handset
Shower Kit:	Adjustable Riser
Valve/Cartridge Type:	Thermostatic Cartridge
Maximum Hot Water Supply Temperature °C:	60
Plumbing System Suitability:	All plumbing systems, ideally balanced
Minimum Dynamic Pressure (bar):	0.3
Maximum Dynamic Pressure (bar):	5
Maximum Static Pressure (bar):	10
Connection Inlet:	15mm Compression
Connection Outlet:	G1/2"
Isolation Valve Included:	Yes
Check Valve Included:	Yes

Dimensions (measurements in mm)



Flow Rates (l/min)

System Pressure (bar)	0.3	0.5	1	2	3	5
Through Handset (mixed)	3.2	4.1	5.8	8.2	10	12.9

TECHNICAL DATA SHEET



BRISTAN

D4