

HAND102 C

SHOWER ACC Shower Range Bristan Single Function Shower Handset 102 Chrome Plated



Specification

Finish/Colour:	Chrome Plated
Main Construction Material:	ABS
Mounting Type:	Wall Mounted
Plumbing System Suitability:	Suitable for all plumbing systems
Minimum Dynamic Pressure (bar):	0.2 bar
Maximum Dynamic Pressure (bar):	5 bar
Maximum Static Pressure (bar):	10 bar
Maximum Hot Water Supply Temperature °C:	60 °C
What's Included:	1 x Handset, 1 x Fitting Instructions

Features:

- Clam packed
- Chrome plated to BS EN 248

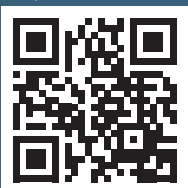
Product Certifications:



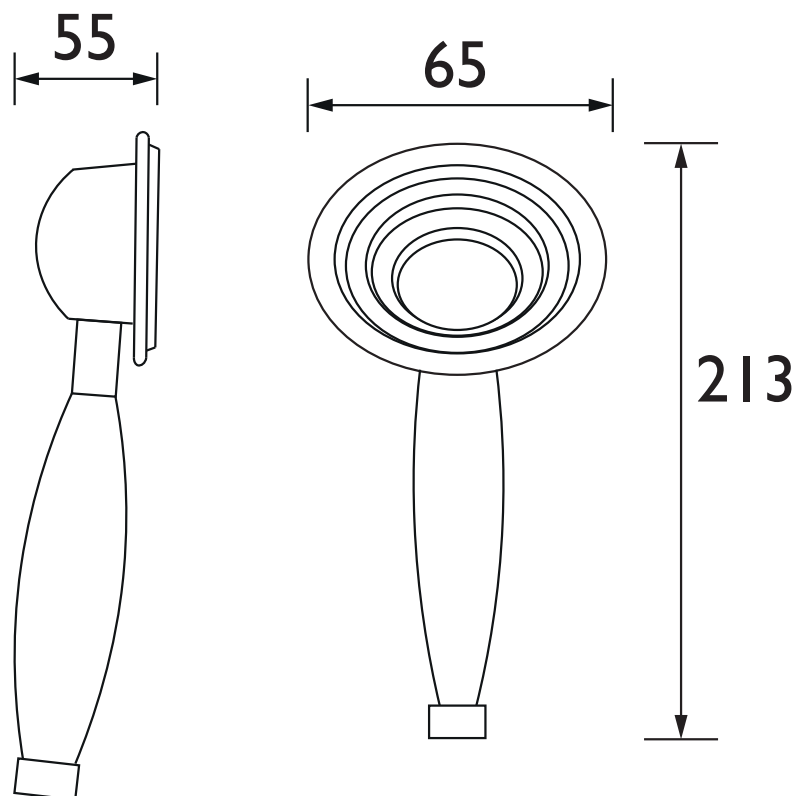
WRAS Certificate No: 240903009
WRAS Expiry Date: 30/09/2029



For more products, visit our website:
<http://www.bristan.com>



Dimensions (measurements in mm)



Flow Rates (l/min)

System Pressure (bar)	0.2	0.5	1	2	3	5
Through Handset (mixed)	6.5	10.2	14.4	20.4	25	32.3

TECHNICAL
DATA
SHEET



BRISTAN

D4