

VR3000FF

Accessories Vandal Resistant Adjustable Fast Fit Showerhead



Specification

Main Construction Material:	Brass
Mount Type:	Wall
Connection Inlet:	15mm
Connection Outlet:	N/A
Valve/Cartridge Type:	N/A
Plumbing System Requirements:	Suitable for all plumbing systems, ideally balanced
Minimum Dynamic Pressure (bar):	0.2 bar
Maximum Dynamic Pressure (bar):	5 bar
Maximum Hot Water Temperature °C:	60°C
Maximum Static Pressure (bar):	10 bar

Features:

- Robust construction for use with concealed pipework in high risk areas
- Easy to install, fast-fit external connections
- Anti-grip curved design with tamperproof fixings and anti-rotation system
- Interchangeable spray rings and adjustable spray angle 25°-35°
- 15mm inlet connection

Product Certifications:



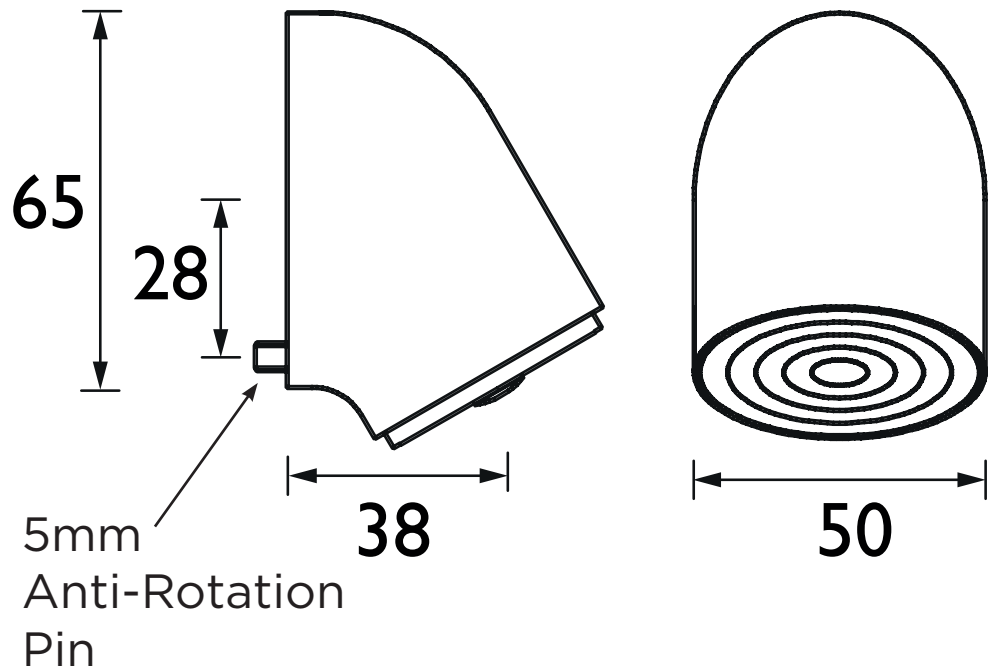
WRAS Certificate No: 2006909
WRAS Expiry Date: 30/06/2025



For more products, visit our website:
<http://www.bristan.com>



Dimensions (measurements in mm)



Flow Rates (l/min)

System Pressure (bar)	0.2	0.5	1	2	3	5
VR3000FF (mixed)	14.8	23.4	33.2	46.9	57.4	74.1

TECHNICAL DATA SHEET



BRISTAN

D6