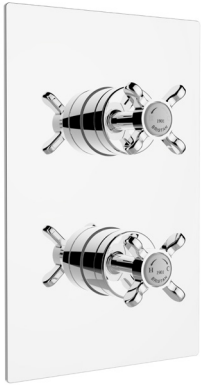


# N2 SHCVO C

## 1901 Shower Range 1901 Recessed Thermostatic Dual Control Chrome Shower Valve Chrome



### Features:

- 15mm inlet connections
- This shower valve has been designed to fit in any UK wall cavity and therefore only needs a 35mm deep cavity space
- Fitting depth including plasterboard and tiles is 45mm - 75mm
- Minimum cold water supply temperature is 4°C
- Maximum hot water supply temperature is 80°C

### Product Certifications:



WRAS Certificate No: 2405900  
WRAS Expiry Date: 31/05/2029



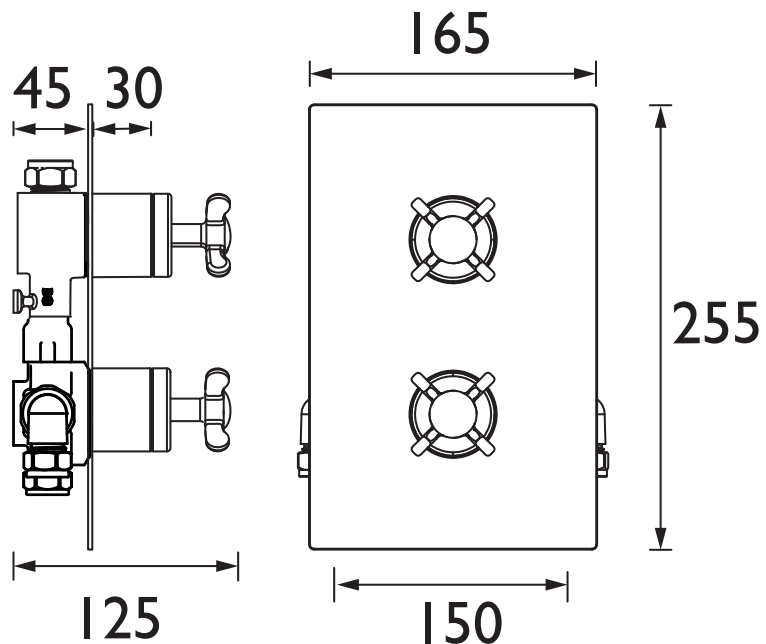
For more products, visit our website:  
<http://www.bristan.com>



### Specification

Finish/Colour:	Chrome Plated
Main Construction Material:	Brass
No of Controls:	2
Shower Type:	N/A
Shower Head Type:	None
Shower Kit:	N/A
Valve/Cartridge Type:	3/4" Ceramic Disc Valve - 1/4 turn
Maximum Hot Water Supply Temperature °C:	80
Plumbing System Suitability:	Suitable for all plumbing systems, ideally balanced
Minimum Dynamic Pressure (bar):	0.2
Maximum Dynamic Pressure (bar):	5
Maximum Static Pressure (bar):	10
Connection Inlet:	15mm Compression Connections
Connection Outlet:	N/A
Isolation Valve Included:	No
Check Valve Included:	Yes

### Dimensions (measurements in mm)



### Flow Rates (l/min)

System Pressure (bar)	0.2	0.5	1	2	3	5
Valve Only/Largest FR (mixed)	9.3	18	26.7	38.7	47.9	61.7
With Flow Limiters (mixed)	--	7.2	9	9.8	10.7	10

## TECHNICAL DATA SHEET



# BRISTAN