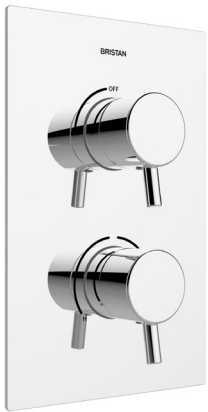


PM2 SHCVO C

PRISM Shower Range Prism Recessed Thermostatic Dual



Features:

- Slim design recessed shower valve will fit into a cavity space as small as 35mm for hassle-free installation.
- Dual control - Flow and temperature are operated separately giving accurate control of both.
- Thermostatic cartridge with preset temperature safety stop at 42°C for family-safe showering. A higher temperature can be selected, if required, by selecting the override function.
- Automatic shut-off in the event of hot or cold water supply failure for family safe showering.
- Cartridge can be accessed from the front for easy servicing.

Product Certifications:



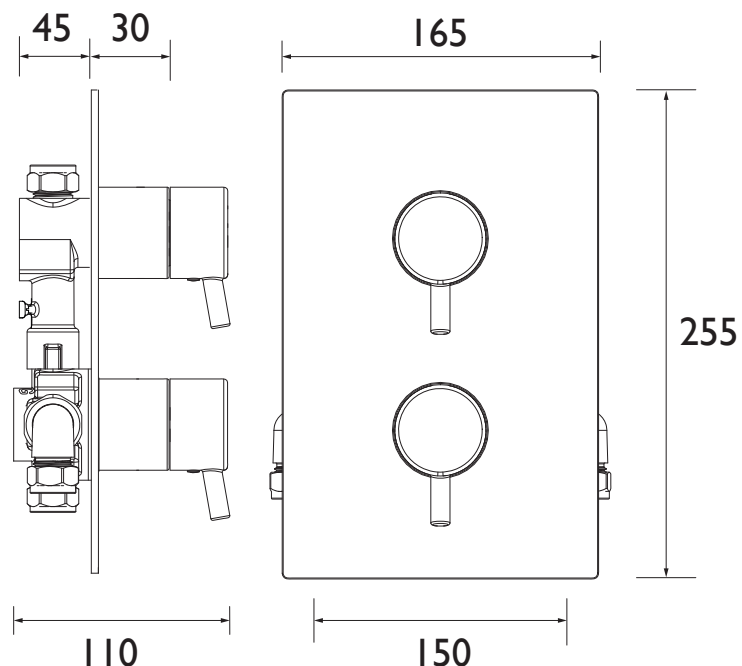
WRAS Certificate No: 2405900
WRAS Expiry Date: 31/05/2029



Specification

Finish/Colour:	Chrome Plated
Main Construction Material:	Brass
No of Controls:	2
Shower Type:	Dual Control
Shower Head Type:	None
Shower Kit:	N/A
Valve/Cartridge Type:	Thermostatic Cartridge & 3/4" Ceramic Disc Valve
Maximum Hot Water Supply Temperature °C:	65
Plumbing System Suitability:	Suitable for all plumbing systems, ideally balanced
Minimum Dynamic Pressure (bar):	0.2
Maximum Dynamic Pressure (bar):	5
Maximum Static Pressure (bar):	10
Connection Inlet:	15mm Compression
Connection Outlet:	15mm Compression
Isolation Valve Included:	No
Check Valve Included:	Yes

Dimensions (measurements in mm)



Flow Rates (l/min)

System Pressure (bar)	0.2	0.5	1	2	3	5
Valve Only/Largest FR (mixed)	7.5	14.1	21	30.5	37.4	48.2

TECHNICAL DATA SHEET



BRISTAN

D7