

VAC HNK C MT

VALUE Tap Range Club High Neck Pillar Taps Chrome Plated With Metal Heads



Features:

- Metal back nuts for added durability

Product Certifications:



WRAS Certificate No: 240103001
WRAS Expiry Date: 31/01/2029



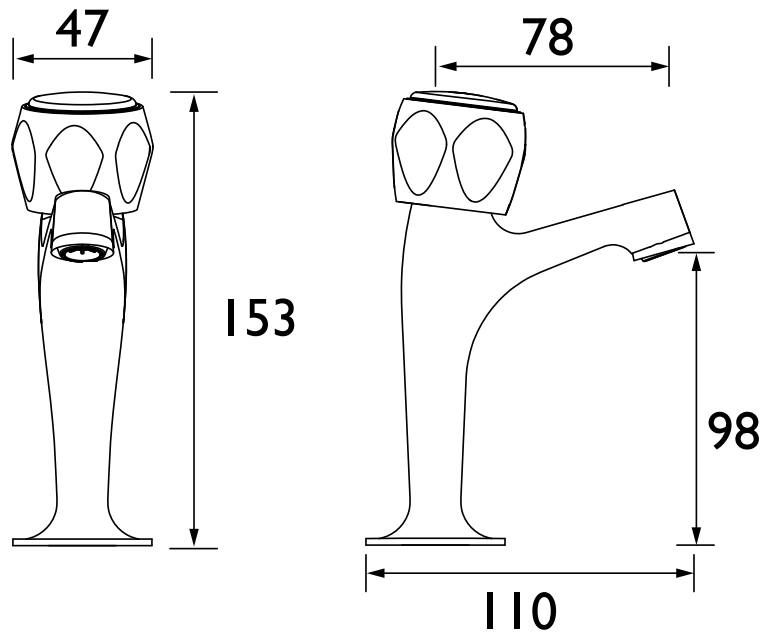
For more products, visit our website:
<http://www.bristan.com>



Specification

Product Type:	Taps
Main Construction Material:	Brass
Mount Type:	Deck
Handle Type:	Club Handles
Connection Inlet:	1/2" BSP
Connection Outlet:	N/A
Number of Tap Holes:	2
Valve/Cartridge Type:	1/2" Standard Valve
Plumbing System Requirements:	Suitable for all plumbing systems, ideally balanced
Minimum Dynamic Pressure (bar):	0.2 bar
Maximum Dynamic Pressure (bar):	5 bar
Maximum Hot Water Temperature °C:	65°C
Maximum Static Pressure (bar):	bar
Isolation Included:	

Dimensions (measurements in mm)



Flow Rates (l/min)

System Pressure (bar)	0.2	0.5	1	2	3	5
VAC HNK C MT (Cold)	13.9	21.9	31	43.8	53.7	69.3
VAC HNK C MT (Hot)	13.9	21.9	31	43.8	53.7	69.3

TECHNICAL DATA SHEET



BRISTAN

D8.1