

Z2 BIB C

COMMERCIAL Tap Range Single Soft Touch Timed Flow Tap Chrome



Features:

- Timed shut off to meet BS EN 816
- Soft touch easy to use mechanism
- Supplied with both hot and cold indices
- Supplied with 5 L/min flow regulator
- Operates at a minimum pressure of 0.5 bar

Product Certifications:



WRAS Certificate No: 1907903
WRAS Expiry Date: 31/07/2024



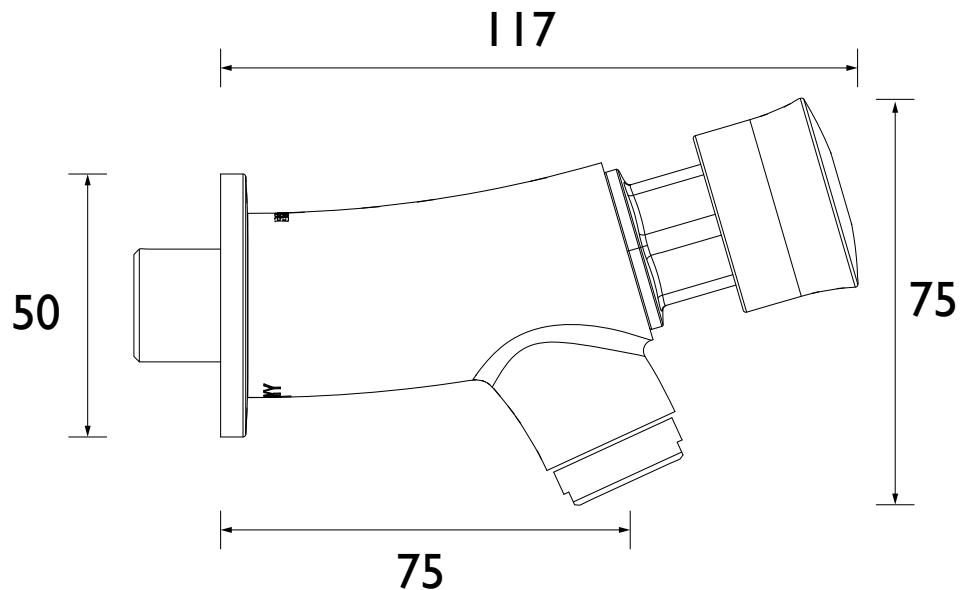
For more products, visit our website:
<http://www.bristan.com>



Specification

Product Type:	Taps
Main Construction Material:	Brass
Mount Type:	Deck
Connection Inlet:	1/2" BSP
Connection Outlet:	N/A
Number of Tap Holes:	1
Valve/Cartridge Type:	Self Closing Valve
Plumbing System Requirements:	Suitable for all plumbing systems
Minimum Dynamic Pressure (bar):	0.5 bar
Maximum Dynamic Pressure (bar):	5 bar
Maximum Hot Water Temperature °C:	65°C
Maximum Static Pressure (bar):	10 bar

Dimensions (measurements in mm)



Flow Rates (l/min)

System Pressure (bar)	0.5	1	2	3	5
Z2 BIB C (mixed)	2	2.8	3.9	4.8	6.2

TECHNICAL
DATA
SHEET



BRISTAN

D10