

# MH SNK EF C

## MANHATTAN Tap Range Manhattan Easyfit Mono Sink Mixer Chrome



### Features:

- A contemporary twin lever kitchen tap featuring Top Fix Easyfit technology.
- Unique patented top fix design, for simple installation from above the sink.
- Simply drop and twist the top fix base into the tap hole from above, and lock into place with the Allen key provided.
- Two supplied isolation valves and flexi tails mean you can connect to the water supply at this point and isolate the base.
- Push the tap on to the base and secure into position with the supplied Easyfit tool and screws.
- Push the tap on to the base and secure into position with the supplied Easyfit tool and screws.
- Swivel spout for easy use
- Long life 1/4 turn ceramic disc valves for added durability and smooth control.
- High quality metal fixings for security and durability
- Also available in other finishes.
- 10 year parts and 1 year labour guarantee for peace of mind.

### Product Certifications:



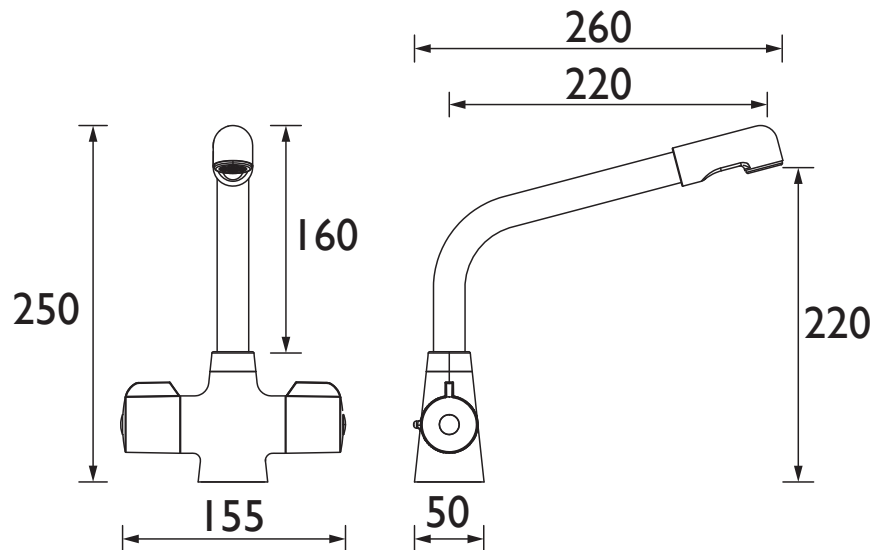
WRAS Cert. Number: 2205909  
WRAS Expiry Date: 31/05/2027



### Specification

Product Type:	Kitchen Taps
Main Construction Material:	Brass
Mount Type:	Deck Mounted
Handle Type:	Lever Handles
Connection Inlet:	1/2" BSP Flexible Tails
Connection Outlet:	M24 Flow Straightener
Number of Tap Holes:	1
Valve/Cartridge Type:	1/2" Ceramic Disc Valve
Plumbing System Requirements:	Suitable for all plumbing systems
Minimum Dynamic Pressure (bar):	0.3 bar
Maximum Dynamic Pressure (bar):	5.0 bar
Maximum Hot Water Temperature °C:	60°C
Maximum Static Pressure (bar):	10 bar
Flow Type:	Single Flow
Isolation Included:	Yes

### Dimensions (measurements in mm)



### Flow Rates (l/min)

System Pressure (bar)	0.3	0.5	1	2	3	5
MH SNK EF C (mixed)	10.4	13.8	20.4	29.5	36.4	47.3

## TECHNICAL DATA SHEET



# BRISTAN

D13