

MINI2 TS1203 RR C COMMERCIAL Shower Range

OPAC Thermostatic Exposed Mini Shower Valve with Top Outlet Rigid Riser Chrome



Specification

Finish/Colour:	Chrome Plated
Main Construction Material:	Brass
No of Controls:	1
Shower Type:	Exposed
Shower Head Type:	Fixed Head and Rigid Riser
Valve/Cartridge Type:	Sequential Cartridge
Maximum Hot Water Supply Temperature °C:	65
Plumbing System Suitability:	All, Preferably Balanced
Minimum Dynamic Pressure (bar):	0.5
Maximum Dynamic Pressure (bar):	5
Maximum Static Pressure (bar):	10
Connection Inlet:	15mm Compression
Connection Outlet:	1/2" BSP
Isolation Valve Included:	No
Check Valve Included:	Yes

Features:

- Top Outlet mini-shower valve with Single sequential control for both temperature and flow
- Includes rigid riser kit and fixed shower head
- Easy to use lever handle
- Adjustable inlet elbows 110-155mm for ultimate retro-fit
- High performance even at 0.5 bar inlet pressure

Product Certifications:



WRAS Certificate No:240403011
WRAS Expiry Date: 30/04/2029

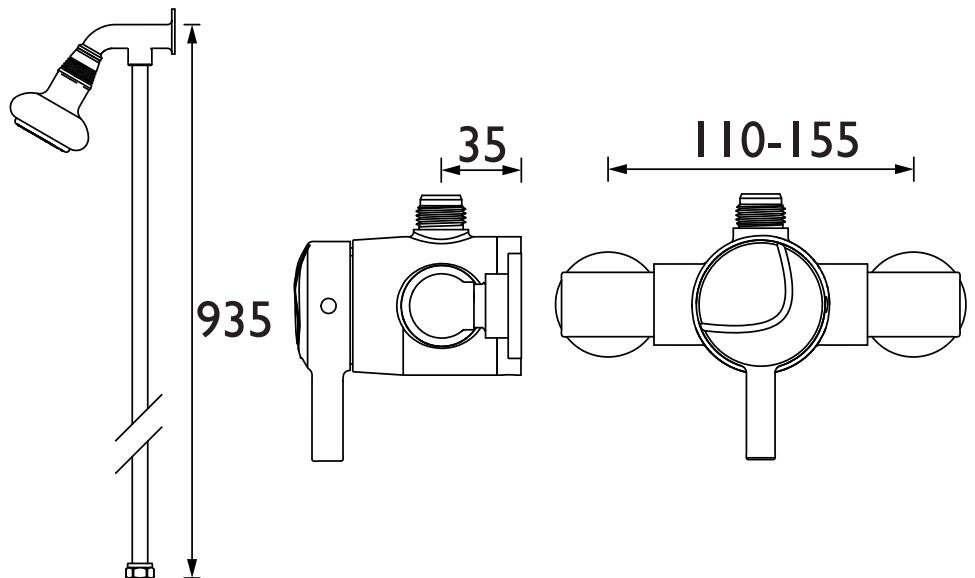


TMV2 Cert. No: NSF2126/0619
TMV2 Expiry Date: 13/12/2024



TMV3 Cert. No: NSF2125/0619
TMV3 Expiry Date: 13/12/2024

Dimensions (measurements in mm)



Flow Rates (l/min)

System Pressure (bar)	0.5	1	2	3	5
With Flow Limiters (mixed)	3.1	4.4	6.3	7.7	9.9



TECHNICAL DATA SHEET



BRISTAN