

MINI2 TS1203 CL C COMMERCIAL Shower Range

MINI TS1203 CL Shower Valve Chrome



Features:

- Single sequential control for both temperature and flow
- Concealed shower with easy-access cover plate for servicing
- Integral isolator and easy clean filters
- High performance even at low pressures
- Inlet centres of 99mm +/- 1mm
- OPAC Thermostatic TMV3 Concealed Mini Valve with Chrome Lever.

Product Certifications:



WRAS Certificate No:240403011
WRAS Expiry Date:30/04/2029



TMV2 Cert. No: NSF2126/0619
TMV2 Expiry Date: 13/12/2024

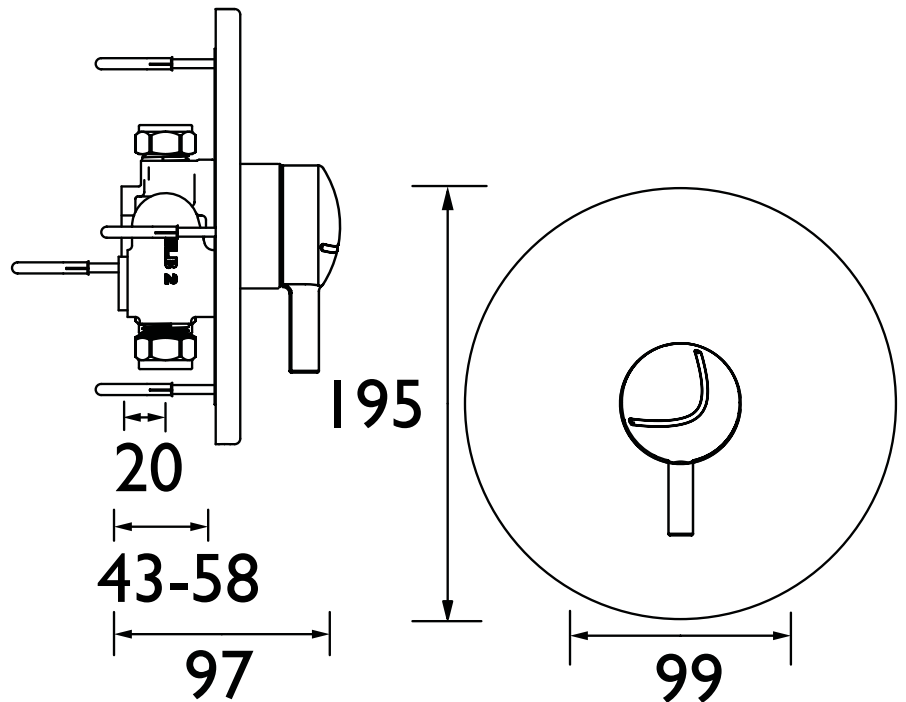


TMV3 Cert. No: NSF2125/0619
TMV3 Expiry Date: 13/12/2024

Specification

Finish/Colour:	Chrome Plated
Main Construction Material:	Brass
No of Controls:	1
Shower Type:	Concealed
Shower Head Type:	N/A
Shower Kit:	N/A
Valve/Cartridge Type:	Thermostatic
Maximum Hot Water Supply Temperature °C:	80
Plumbing System Suitability:	Suitable for all plumbing systems, ideally balanced
Minimum Dynamic Pressure (bar):	0.2
Maximum Dynamic Pressure (bar):	8
Maximum Static Pressure (bar):	10
Connection Inlet:	1/2" BSP
Connection Outlet:	1/2" BSP
Isolation Valve Included:	No
Check Valve Included:	Yes

Dimensions (measurements in mm)



Flow Rates (l/min)

System Pressure (bar)	0.2	0.5	1	2	3	5
Through Handset (mixed)	11	20	7.8	8.8	9.1	9.3

TECHNICAL DATA SHEET



BRISTAN