

# VA NC 1/2 C

## VALUE Tap Range Non Concussive Basin Taps Chrome



### Specification

Product Type:	Utility Taps
Main Construction Material:	Brass
Mount Type:	Deck Mounted
Handle Type:	Push Handles
Connection Inlet:	½" BSP
Connection Outlet:	N/A
Number of Tap Holes:	2
Valve/Cartridge Type:	Self Closing Valves
Plumbing System Requirements:	All Plumbing Systems
Working Pressure Range:	Min. 0.2 Bar - Max. 5.0 Bar
Maximum Hot Water Temperature: °C	65
Maximum Static Pressure: (bar)	10

### Features:

- Robust metal fixing nut to secure the tap in place reducing the risk of loosening over time.
- A hard-wearing, flawless, scratch resistant chrome finish that lasts for years. Salt spray tested to ensure added durability. 1 year parts guarantee for peace of mind.
- Co-ordinating Bathroom taps and Accessories available

### Product Certifications:



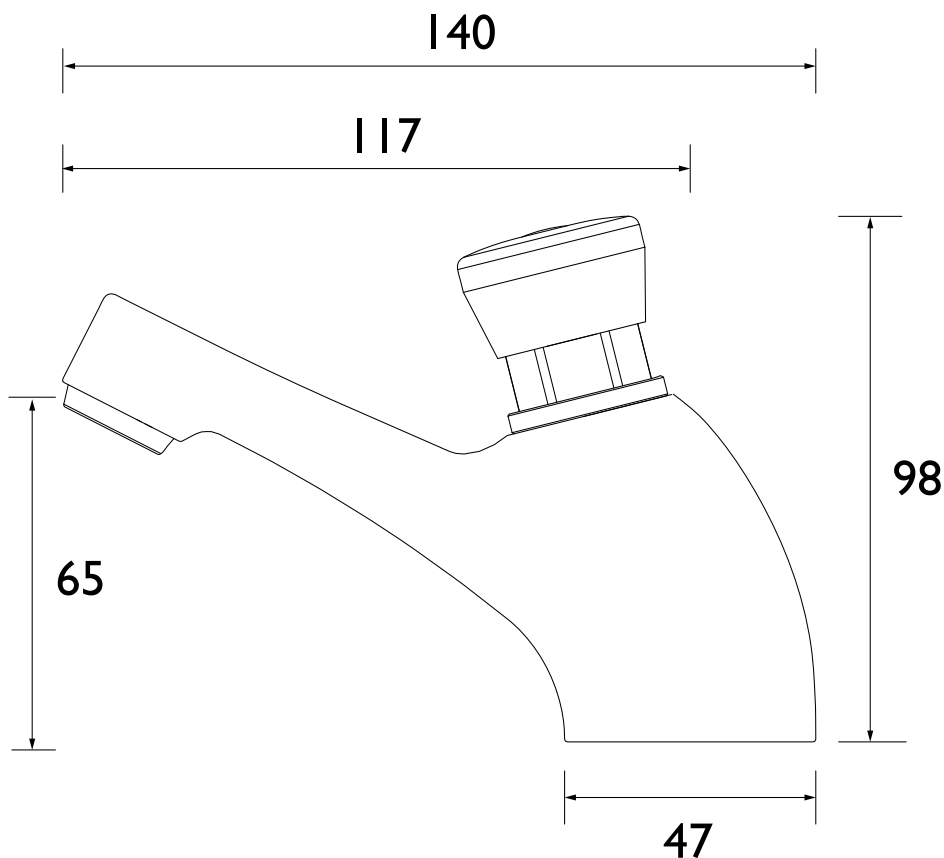
WRAS Cert. Number: 2002806  
WRAS Expiry Date: 28/02/2025



For more products, visit our website:  
<http://www.bristan.com>



### Dimensions (measurements in mm)



### Flow Rates (l/min)

System Pressure (bar)	0.2	0.5	1	2	3	5
VA NC 1/2 C	4.8	8.3	12	17.2	21.2	24.6

## TECHNICAL DATA SHEET



# BRISTAN

D10