

# AST BAS C

## ASTER Tap Range Aster Basin Mixer with Clicker Waste Chrome



### Features:

- Everything you need in the box including flexible tails and clicker waste so nothing to buy separately.
- Long life ceramic cartridge for added durability and smooth control.
- A hard-wearing, flawless, scratch resistant chrome finish that lasts for years. Salt spray tested to ensure added durability.
- 5 year parts and 1 year labour guarantee for peace of mind.
- Co-ordinating Bathroom taps, Recess shower and Accessories available.

### Product Certifications:



WRAS Cert. Number: 240903010  
WRAS Expiry Date: 30/09/2029



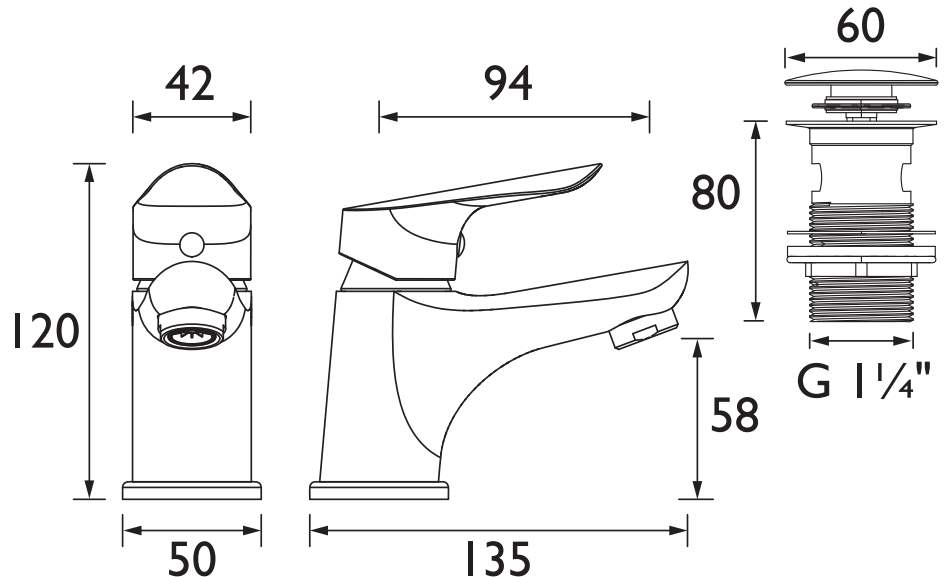
For more products, visit our website:  
<http://www.bristan.com>



### Specification

Product Type:	Bathroom Tap
Main Construction Material:	Brass
Mount Type:	Deck Mounted
Handle Type:	Lever Handles
Connection Inlet:	1/2" BSP Flexible Tails
Connection Outlet:	M24 Aerator
Number of Tap Holes:	1
Valve/Cartridge Type:	35mm Single Lever Cartridge
Plumbing System Requirements:	Suitable for all plumbing systems
Minimum Dynamic Pressure (bar):	0.2 bar
Maximum Dynamic Pressure (bar):	5.0 bar
Maximum Hot Water Temperature °C:	60°C
Maximum Static Pressure (bar):	10 bar
Flow Type:	Single Flow
Isolation Included:	No

### Dimensions (measurements in mm)



### Flow Rates (l/min)

System Pressure (bar)	0.2	0.5	1	2	3	5
AST BAS C (mixed)	4	6.7	9.6	13.7	16.8	21.9

TECHNICAL  
DATA  
SHEET



**BRISTAN**

D5