

CE SNK C

CELLO Tap Range

Cello Monobloc Sink Mixer Chrome



Features:

- A hard-wearing, flawless chrome finish that lasts for years
- Long life ceramic cartridge for added durability and ease of use
- All in one box - Includes flexible tails and fixing kit so nothing to buy separately
- Suitable for high and low pressure water systems
- 5 year guarantee

Product Certifications:



WRAS Certificate No: 241003005
WRAS Expiry Date: 31/10/2029



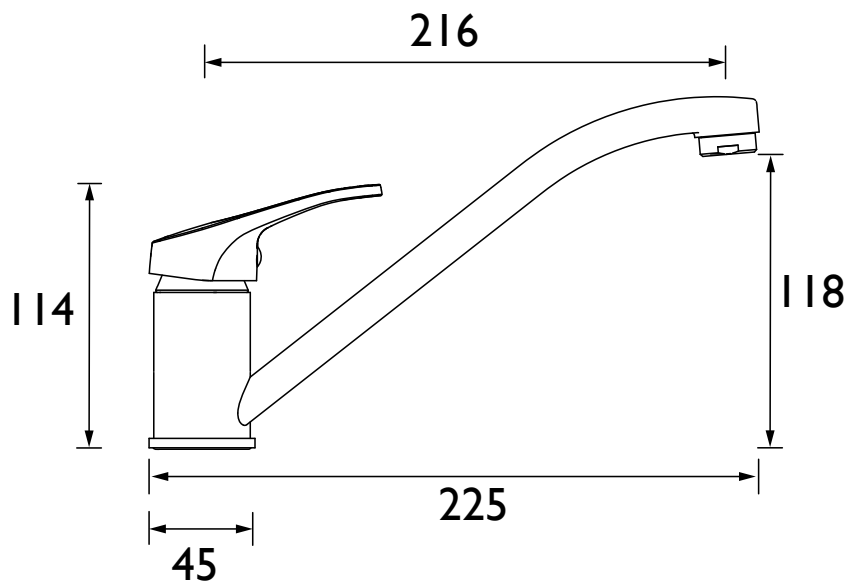
For more products, visit our website:
<http://www.bristan.com>



Specification

Product Type:	Kitchen Tap
Main Construction Material:	Brass
Mount Type:	Deck
Handle Type:	Lever Handle
Connection Inlet:	1/2" BSP Flexible Tails
Connection Outlet:	M24 Flow Straightener
Number of Tap Holes:	1
Valve/Cartridge Type:	35mm Single Lever Cartridge
Plumbing System Requirements:	Suitable for all plumbing systems
Minimum Dynamic Pressure (bar):	0.2 bar
Maximum Dynamic Pressure (bar):	5 bar
Maximum Hot Water Temperature °C:	60°C
Maximum Static Pressure (bar):	10 bar
Flow Type:	Single
Isolation Included:	No

Dimensions (measurements in mm)



Flow Rates (l/min)

System Pressure (bar)	0.2	0.5	1	2	3	5
CE SNK C (mixed)	3.7	6.3	9.5	13.3	16.3	21.5

TECHNICAL DATA SHEET



BRISTAN

D5