

# MI BAS C

## MILA Tap Range Mila Basin Mixer Tap with Clicker Waste Chrome



### Specification

<b>Product Type:</b>	Bathroom Taps
<b>Main Construction Material:</b>	Brass
<b>Mount Type:</b>	Deck
<b>Handle Type:</b>	Lever
<b>Connection Inlet:</b>	M10 x 15mm Flexible Tails
<b>Connection Outlet:</b>	5lpm Flow Limited Aerator
<b>Number of Tap Holes:</b>	1
<b>Valve/Cartridge Type:</b>	35mm Single Lever Cartridge
<b>Plumbing System Requirements:</b>	Suitable for all plumbing systems
<b>Minimum Dynamic Pressure (bar):</b>	0.5 bar
<b>Maximum Dynamic Pressure (bar):</b>	5.0 bar
<b>Maximum Hot Water Temperature °C:</b>	60 °C
<b>Maximum Static Pressure (bar):</b>	10 bar
<b>Flow Type:</b>	Single
<b>Isolation Included:</b>	No

### Features:

- This tap has a flow regulator, which limits the flow of water to 5 litres per minute, reducing the amount of water you use.
- Everything you need in the box including flexible tails and clicker waste so nothing to buy separately.
- Long life ceramic cartridge for added durability and smooth control.
- A hard-wearing, flawless, scratch resistant chrome finish that lasts for years. Salt spray tested to ensure added durability.
- 10 year parts and 1 year labour guarantee for peace of mind.
- Also available in other finishes.
- Co-ordinating Bathroom taps, Recess shower and Accessories available.

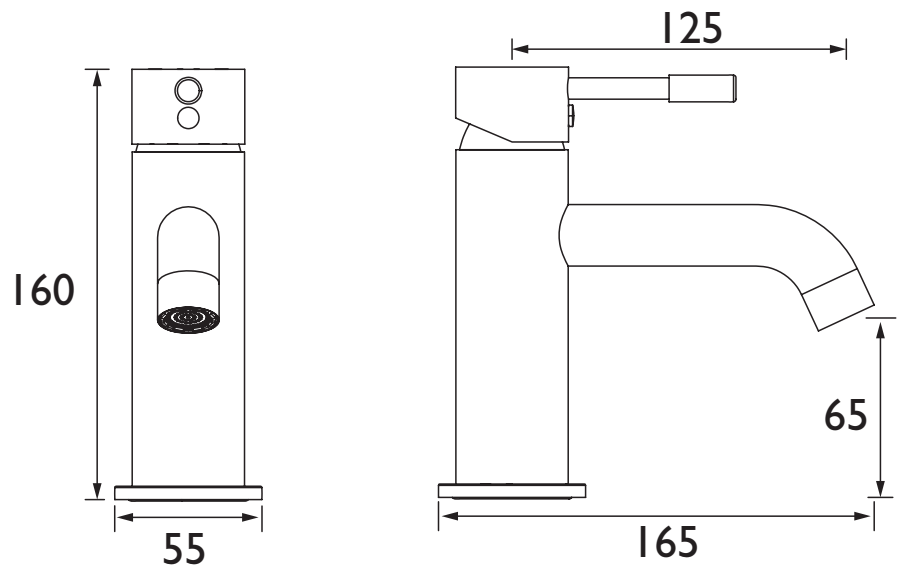
### Product Certifications:



WRAS Certificate No: 2204908  
WRAS Expiry Date: 30/04/2027



### Dimensions (measurements in mm)



### Flow Rates (l/min)

System Pressure (bar)	0.5	1	2	3	5
MI BAS C (mixed)	5	5	5	5	5

## TECHNICAL DATA SHEET



# BRISTAN

D3