

DUL3 THBSM C

DU LEVER Tap Range Design Utility Lever TMV2 Thermostatic Bath Shower Mixer Chrome



Features:

- TMV2 thermostatic control for a higher level of performance and protection
- Dual control - flow and temperature are controlled separately
- Pre-set maximum temperature at 38°C can be overridden by the user
- Minimum working pressure of 0.5 bar
- Supplied without shower kit

Product Certifications:



WRAS Cert. Number: 2309907
WRAS Expiry Date: 30/09/2028



TMV2 Cert. Number: 2310966
TMV2 Expiry Date: 15/03/2028

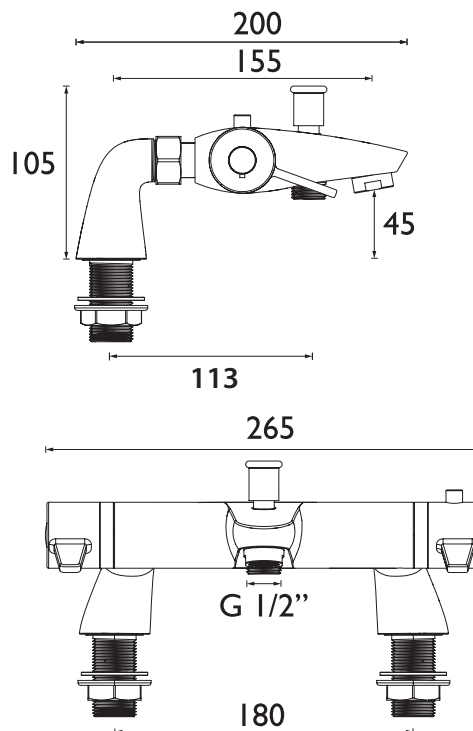
For more products, visit our website:
<http://www.bristan.com>



Specification

Product Type:	Bathroom Taps
Main Construction Material:	Brass
Mount Type:	Deck
Handle Type:	Lever
Connection Inlet:	3/4" BSP
Connection Outlet:	G 1/2"
Number of Tap Holes:	2
Valve/Cartridge Type:	1/2" Ceramic Disc Valve & Thermostatic Cartridge
Plumbing System Requirements:	Suitable for Nominally Balanced Supply Pressures Only
Minimum Dynamic Pressure (bar):	0.5 bar
Maximum Dynamic Pressure (bar):	5 bar
Maximum Hot Water Temperature °C:	65°C
Maximum Static Pressure (bar):	10 bar
Flow Type:	Single
Isolation Included:	No

Dimensions (measurements in mm)



Flow Rates (l/min)

System Pressure (bar)	0.5	1	2	3	4	5
DUL3 THBSM C (mixed)	8.1	12.2	17.7	21.8	25.4	28.5

TECHNICAL
DATA
SHEET



BRISTAN

D12