

# TRD HAND01 C

## SHOWER ACC Shower Range Traditional Deluxe Handset Chrome



### Features:

- Single Function
- Chrome plated to BS EN 248:2002

### Product Certifications:



WRAS Certificate No.: 240703013  
WRAS Expiry Date: 31/07/2029



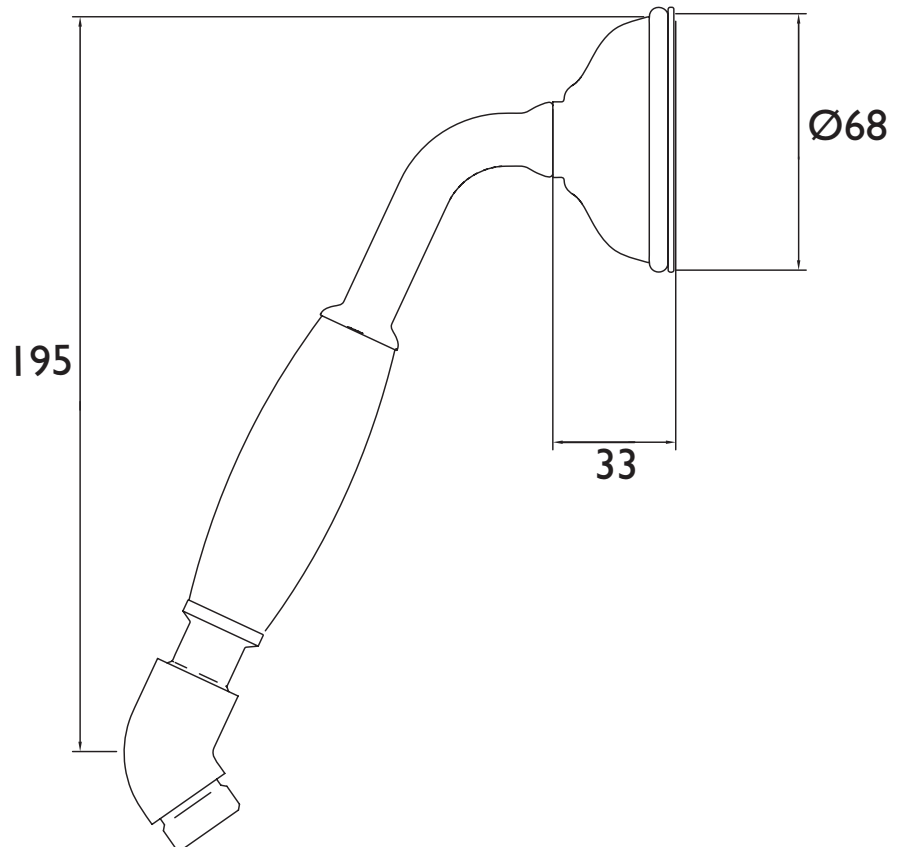
For more products, visit our website:  
<http://www.bristan.com>



### Specification

Finish/Colour:	Chrome Plated
Main Construction Material:	Brass
Mounting Type:	Wall Mounted
Plumbing System Suitability:	Suitable for all plumbing systems
Minimum Dynamic Pressure (bar):	0.2 bar
Maximum Dynamic Pressure (bar):	5 bar
Maximum Static Pressure (bar):	10 bar
Maximum Hot Water Supply Temperature °C:	85 °C
Isolation Included:	No
What's Included:	1 x Handset, 1 x Fitting Instructions

### Dimensions (measurements in mm)



### Flow Rates (l/min)

System Pressure (bar)	0.2	0.5	1	2	3	5
Through Handset (mixed)	6.6	10.4	14.7	20.8	25.5	32.9

## TECHNICAL DATA SHEET



# BRISTAN

D6