

# VAX2 DSM C

## VALUE Tap Range X Head Deck Sink Mixer Chrome



### Features:

- Metal handles
- Chrome plated to BS EN 248
- Metal back nuts for added durability

### Product Certifications:



WRAS Cert. Number: 2105906  
WRAS Expiry Date: 31/05/2026



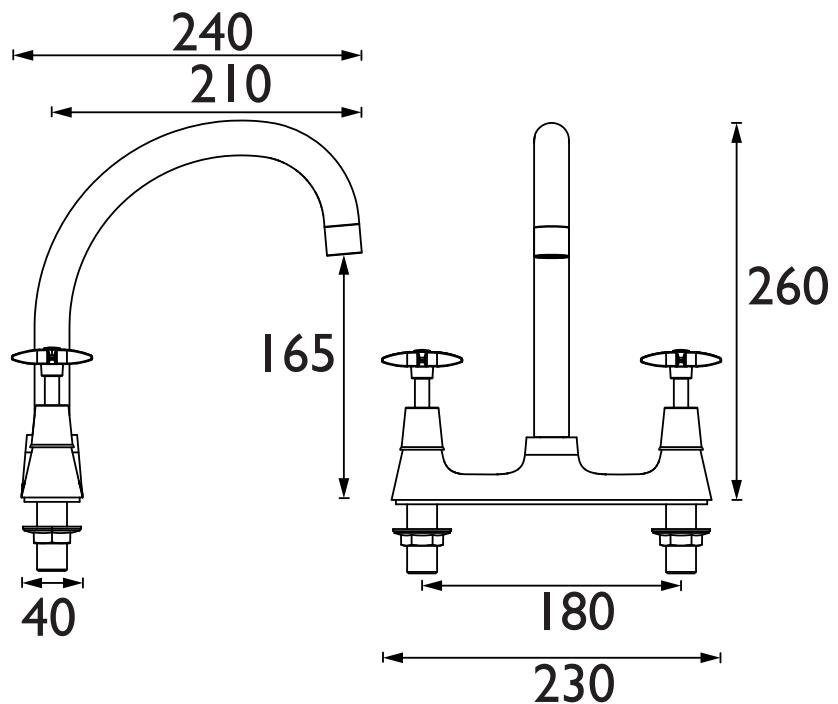
For more products, visit our website:  
<http://www.bristan.com>



### Specification

<b>Product Type:</b>	Kitchen Taps
<b>Main Construction Material:</b>	Brass
<b>Mount Type:</b>	Deck Mounted
<b>Handle Type:</b>	Cross Head Handles
<b>Connection Inlet:</b>	1/2" BSP
<b>Connection Outlet:</b>	Flow Straightener
<b>Number of Tap Holes:</b>	2
<b>Valve/Cartridge Type:</b>	Standard 1/2" Valve
<b>Plumbing System Requirements:</b>	Suitable for all plumbing systems
<b>Minimum Dynamic Pressure:</b>	0.2 bar
<b>Maximum Dynamic Pressure:</b>	5.0 bar
<b>Maximum Hot Water Temperature: °C</b>	65
<b>Maximum Static Pressure: (bar)</b>	10 bar
<b>Flow Type:</b>	Single Flow
<b>Isolation Included:</b>	No
<b>Check Valve Supplied:</b>	No

### Dimensions (measurements in mm)



### Flow Rates (l/min)

System Pressure (bar)	0.2	0.5	1	2	3	5
VAX2 DSM C	7.6	12.1	17.0	24.1	29.5	38.1

TECHNICAL  
DATA  
SHEET



**BRISTAN**