

# ACR EFSNK BLK

## ACORN Tap Range Acorn Easyfit Mono Sink Mixer Black



### Features:

- Unique patented top fix design, for simple installation from above the sink
- Simply drop and twist the top fix base into the tap hole from above, and lock into place with the Allen key provided
- Two supplied isolation valves and flexi tails mean you can connect to the water supply at this point and isolate the base
- Push the tap on to the base and secure into position with the supplied Easyfit tool and screws
- Everything you need in the box including an Allen key, isolation valves, Top Fix Easyfit base, Easyfit tool and flexi tails

### Product Certifications:



WRAS Cert. Number: 240403006  
WRAS Expiry Date: 30/04/2029



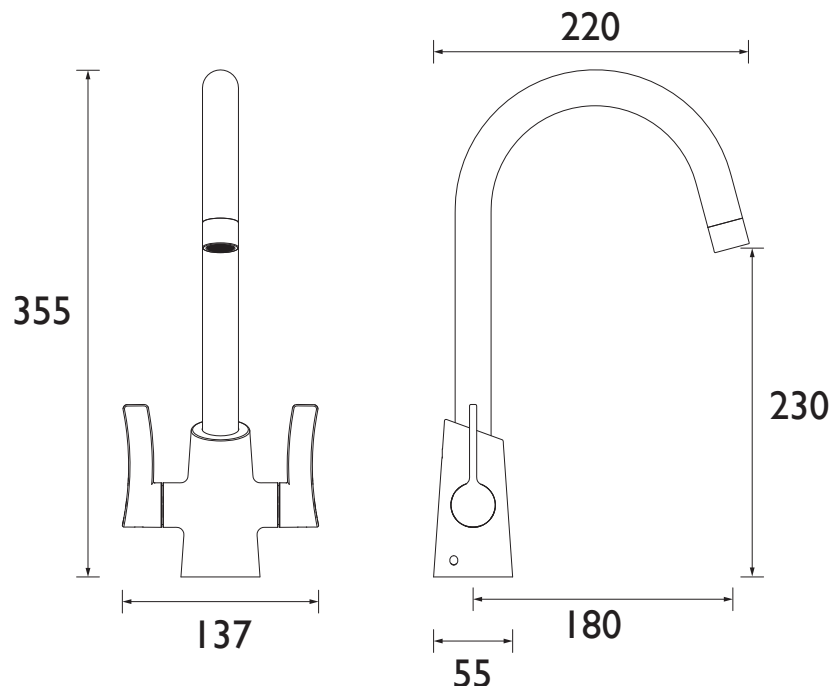
For more products, visit our website:  
<http://www.bristan.com>



### Specification

|                                   |                                   |
|-----------------------------------|-----------------------------------|
| Product Type:                     | Kitchen Taps                      |
| Main Construction Material:       | Brass                             |
| Mount Type:                       | Deck                              |
| Handle Type:                      | Paddle Lever                      |
| Connection Inlet:                 | 1/2" BSP Flexible Tails           |
| Connection Outlet:                | Housed M22 8L/M Aerator           |
| Number of Tap Holes:              | 1                                 |
| Maximum Fitting Depth (mm):       | 35mm                              |
| Valve/Cartridge Type:             | 1/2" Ceramic Disc Valves          |
| Plumbing System Requirements:     | Suitable for all plumbing systems |
| Minimum Dynamic Pressure (bar):   | 0.3 bar                           |
| Maximum Dynamic Pressure (bar):   | 5 bar                             |
| Maximum Hot Water Temperature °C: | 65°C                              |
| Maximum Static Pressure (bar):    | 10 bar                            |
| Flow Type:                        | Single Flow                       |
| Isolation Included:               | Yes                               |

### Dimensions (measurements in mm)



### Flow Rates (l/min)

| System Pressure (bar) | 0.3 | 0.5 | 1   | 2   | 3   | 5   |
|-----------------------|-----|-----|-----|-----|-----|-----|
| ACR EFSNK BLK (mixed) | 3   | 4   | 5.8 | 7.9 | 8.5 | 8.5 |

TECHNICAL  
DATA  
SHEET



**BRISTAN**

D2