

EC SNK EF GM

ECHO Tap Range Echo Easyfit Mono Sink Mixer Gun Metal



Features:

- Unique patented top fix design, for simple installation from above the sink.
- Simply drop and twist the top fix base into the tap hole from above, and lock into place with the Allen key provided.
- Two supplied isolation valves and flexi tails mean you can connect to the water supply at this point and isolate the base.
- Push the tap on to the base and secure into position with the supplied Easyfit tool and screws.
- Everything you need in the box including an Allen key, isolation valves, Top Fix Easyfit base, Easyfit tool and flexi tails
- Swivel spout for easy use
- Long life 1/4 turn ceramic disc valves for added durability and ease of use
- High quality metal fixings for security and durability
- Also available in other finishes.
- 10 year parts and 1 year labour guarantee for peace of mind.

Product Certifications:



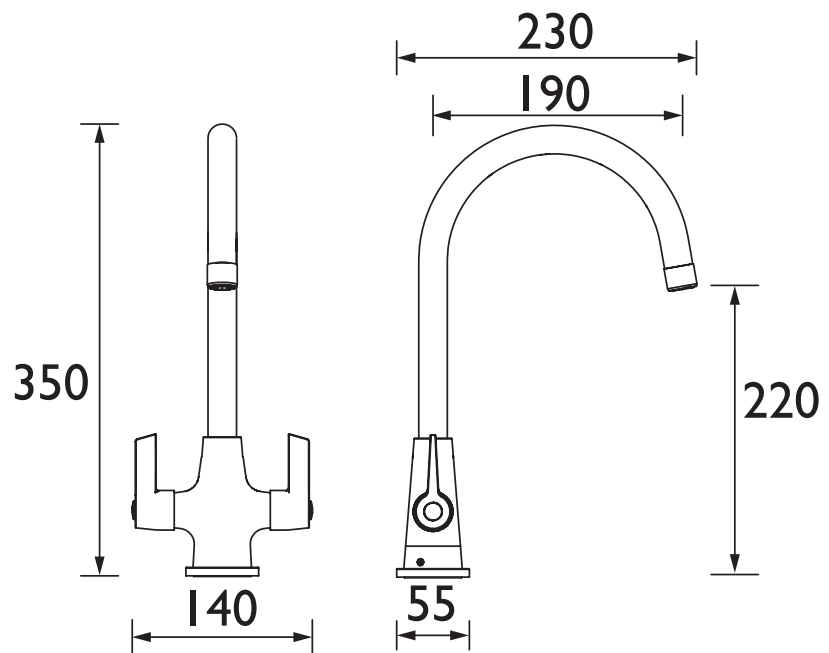
WRAS Cert. Number: 2012929
WRAS Expiry Date: 31/12/2025



Specification

| | |
|-----------------------------------|-----------------------------------|
| Product Type: | Kitchen Taps |
| Main Construction Material: | Brass |
| Mount Type: | Deck |
| Handle Type: | Lever |
| Connection Inlet: | 1/2" BSP Female Flexible Tails |
| Connection Outlet: | Screw-in Aerator |
| Number of Tap Holes: | 1 |
| Valve/Cartridge Type: | 1/2" Ceramic Disc Valve |
| Plumbing System Requirements: | Suitable for all plumbing systems |
| Minimum Dynamic Pressure (bar): | 0.4 bar |
| Maximum Dynamic Pressure (bar): | 5.0 bar |
| Maximum Hot Water Temperature °C: | 65°C |
| Maximum Static Pressure (bar): | 10 bar |
| Flow Type: | Single Flow |
| Isolation Included: | Yes |

Dimensions (measurements in mm)



Flow Rates (l/min)

| System Pressure (bar) | 0.4 | 0.5 | 1 | 2 | 3 | 5 |
|-----------------------|------|------|------|------|------|------|
| EC SNK EF GM (mixed) | 10.4 | 11.8 | 17.2 | 24.8 | 30.6 | 39.7 |

TECHNICAL DATA SHEET



BRISTAN