

QB SHXDIVCTFF C

QUBO Shower Range Qubo Safe Touch Thermostatic Rigid Riser Diverter Bar Shower Chrome



Features:

- All in one box - pack includes bar shower valve, hose, telescopic rigid riser rail and rub-clean anti-limescale drench head and multi function handset so nothing to buy separately.
- Supplied with a fast fit Wallmount 12 fixing kit with built-in front of wall isolation valves on both the hot and cold feed, making it simple to fit, maintain and replace.
- Safe Touch technology ensures the valve stays cool to the touch while in use.
- Telescopic riser so you can adjust the height to suit your space. Giving you the flexibility to fit in a wet room/walk in shower or over a bath.
- Integral two outlet diverter so you can easily switch between the handset or drench head.

Product Certifications:



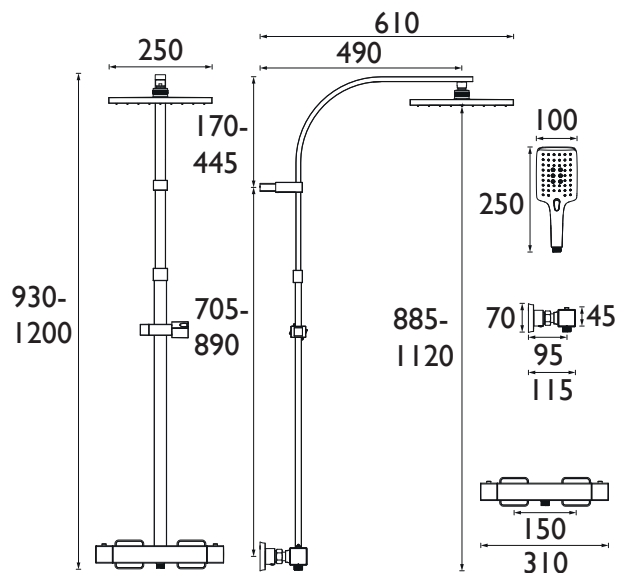
WRAS Certificate No.: 240903006
WRAS Expiry Date: 31/09/2029



Specification

Finish/Colour:	Chrome Plated
Main Construction Material:	Brass; Stainless Steel; ABS
No of Controls:	2
Shower Type:	Bar Shower
Shower Head Type:	Fixed Head and Multi-Function Handset
Shower Kit:	Telescopic Riser with Fixed Head and Handset
Valve/Cartridge Type:	Thermostatic Cartridge
Maximum Hot Water Supply Temperature °C:	60
Plumbing System Suitability:	Suitable for high pressure plumbing systems
Minimum Dynamic Pressure (bar):	1
Maximum Dynamic Pressure (bar):	5
Maximum Static Pressure (bar):	10
Connection Inlet:	15mm Compression
Connection Outlet:	G1/2"
Isolation Valve Included:	Yes
Check Valve Included:	Yes

Dimensions (measurements in mm)



Flow Rates (l/min)

System Pressure (bar)	1	2	3	4	5
Through Handset (mixed)	4.3	6.3	7.6	8.3	8.3
Through Fixed Head (mixed)	6.1	8.6	9.8	9.9	9.4

TECHNICAL DATA SHEET



BRISTAN