

RG SNK EF C

REGENCY Tap Range Regency Easyfit Sink Mixer Chrome



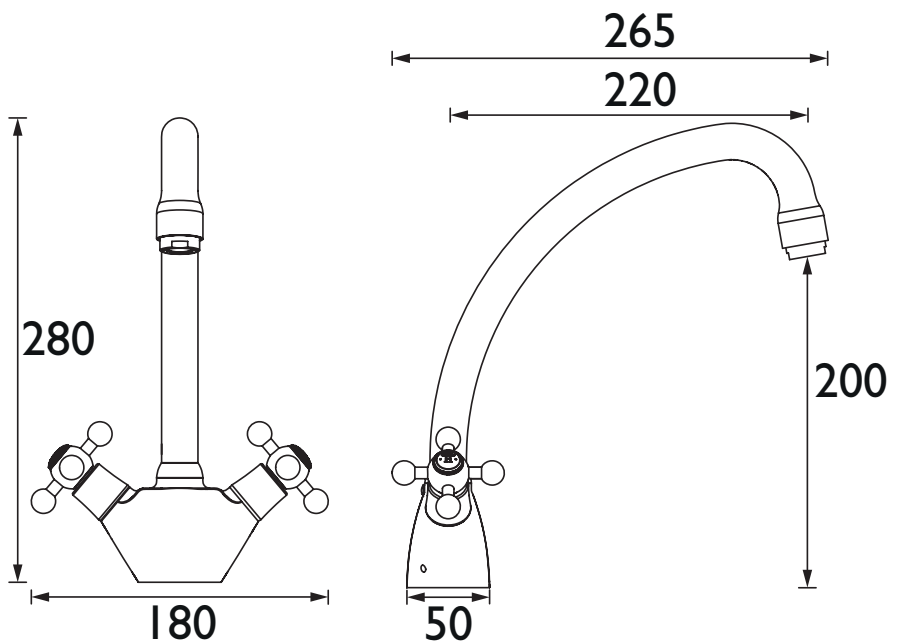
Specification

Product Type:	Kitchen Taps
Main Construction Material:	Brass
Mount Type:	Deck Mounted
Handle Type:	Crosshead Handles
Connection Inlet:	1/2" BSP Flexible Tails
Connection Outlet:	M24 Male Flow Straightener
Number of Tap Holes:	1
Valve/Cartridge Type:	1/2" Compression Valve
Plumbing System Requirements:	Suitable for all plumbing systems
Minimum Dynamic Pressure (bar):	0.3 bar
Maximum Dynamic Pressure (bar):	5.0 bar
Maximum Hot Water Temperature °C:	65°C
Maximum Static Pressure (bar):	10 bar
Flow Type:	Single Flow
Isolation Included:	Yes

Features:

- A contemporary twin handle kitchen tap featuring Top Fix Easyfit technology.
- Unique patented top fix design, for simple installation from above the sink.
- Simply drop and twist the top fix base into the tap hole from above, and lock into place with the Allen key provided.
- Two supplied isolation valves and flexi tails mean you can connect to the water supply at this point and isolate the base.
- Push the tap on to the base and secure into position with the supplied Easyfit tool and screws.
- Everything you need in the box including an Allen key, isolation valves, Top Fix Easyfit base, Easyfit tool and flexi tails
- Swivel spout for easy use
- High quality metal fixings for security and durability
- 10 year parts and 1 year labour guarantee for peace of mind.

Dimensions (measurements in mm)



Product Certifications:



WRAS Certificate No: 2004913
WRAS Expiry Date: 30/04/2025



Flow Rates (l/min)

System Pressure (bar)	0.3	0.5	1	2	3	5
RG SNK EF C (mixed)	16.6	21.5	30.4	42.9	52.6	67.9

TECHNICAL DATA SHEET



BRISTAN

D6